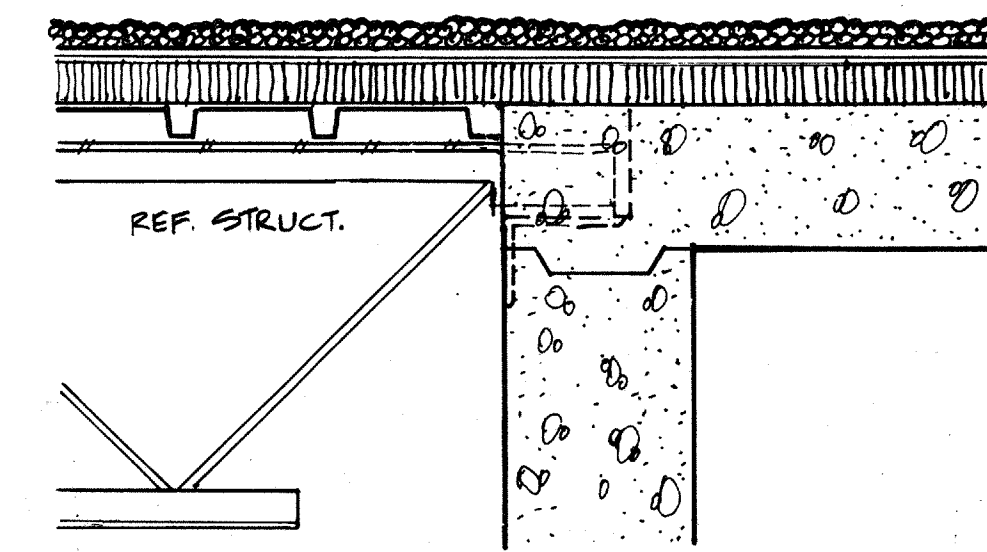
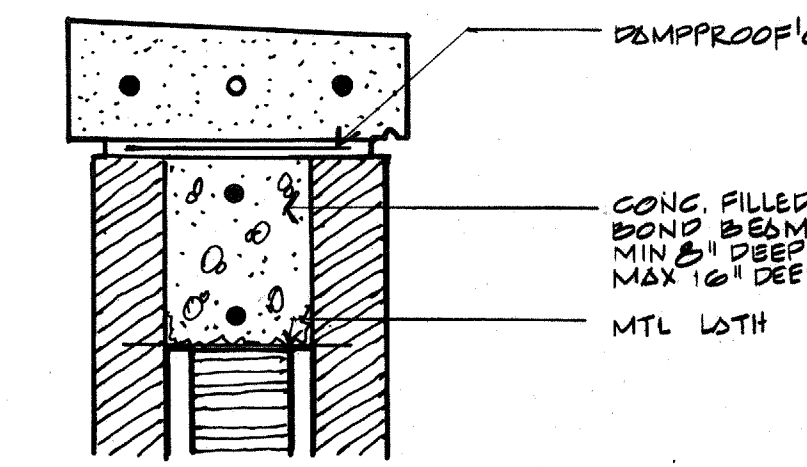


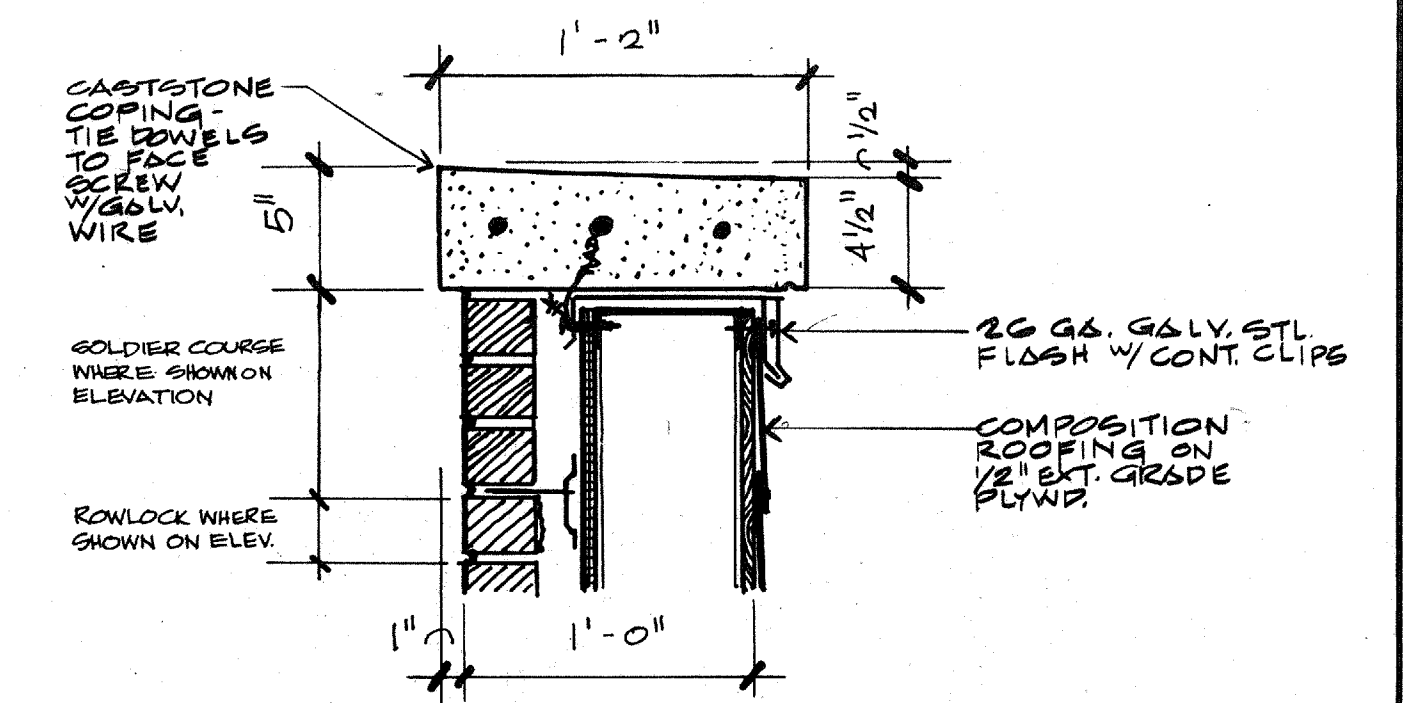
A428



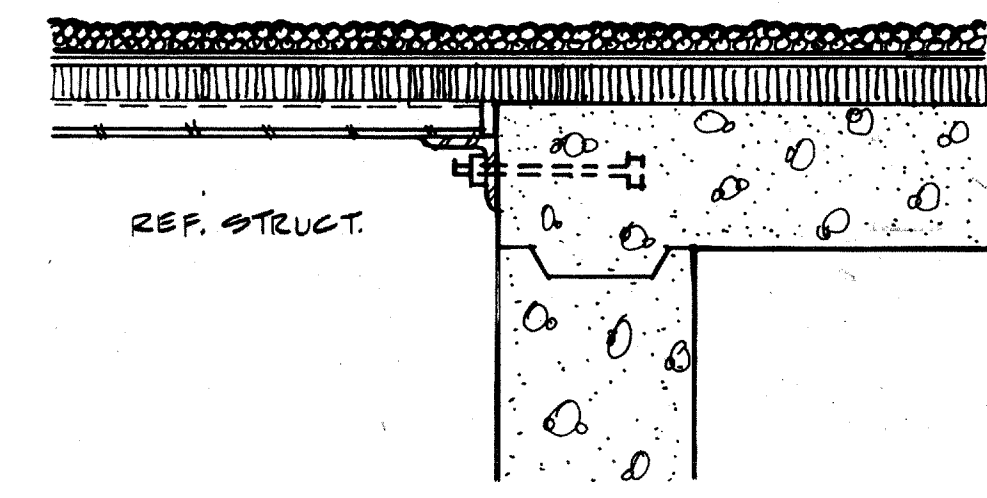
A412



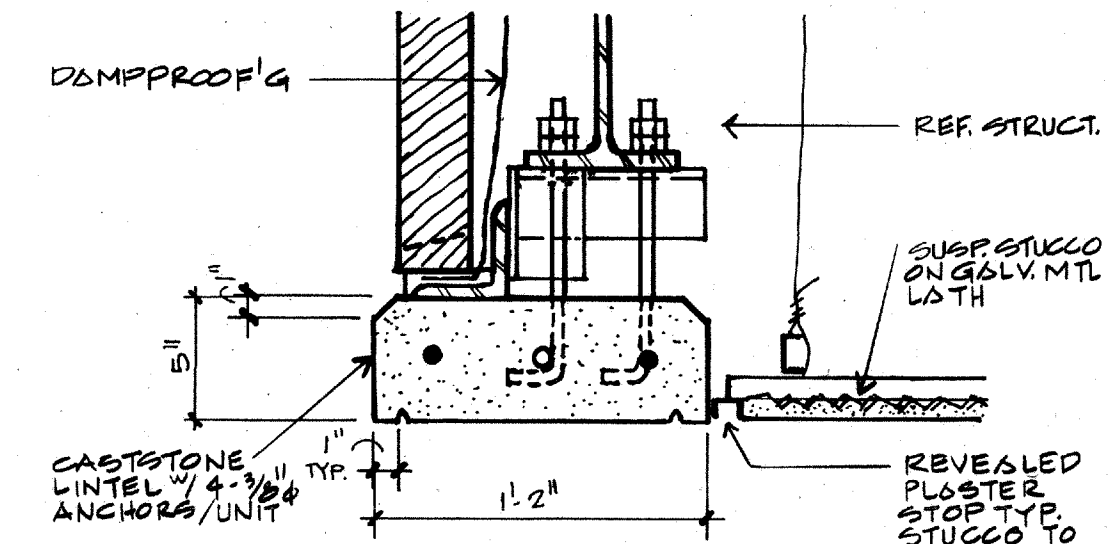
A407



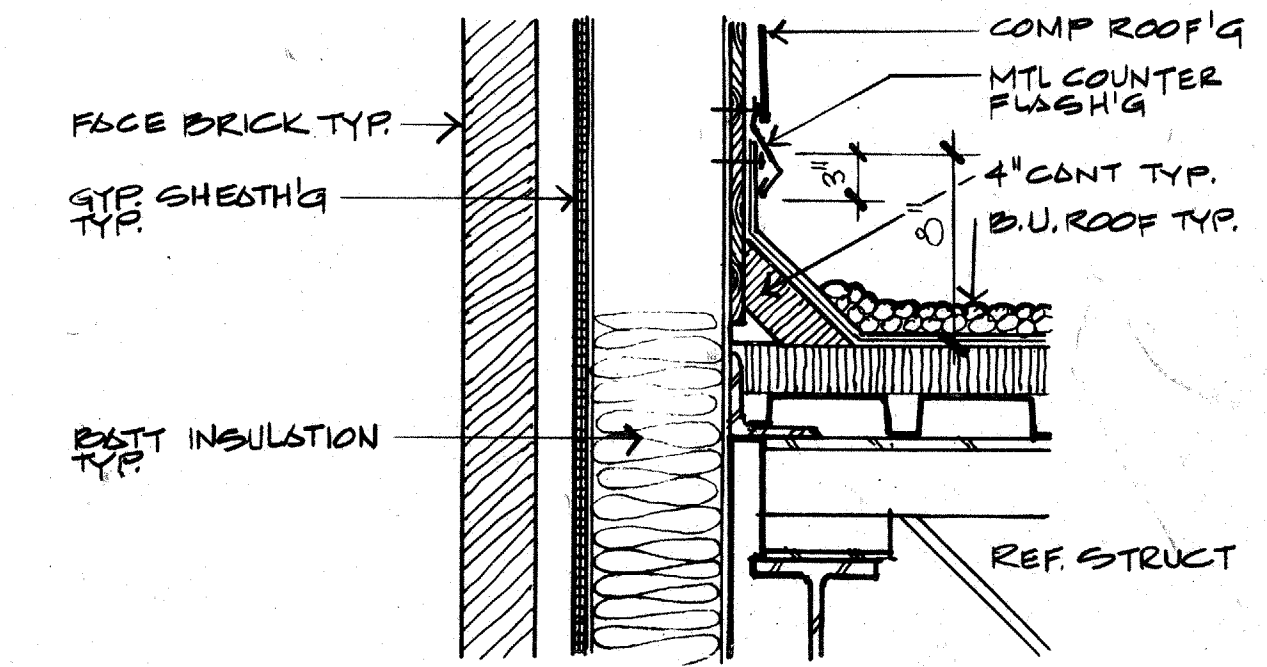
A401



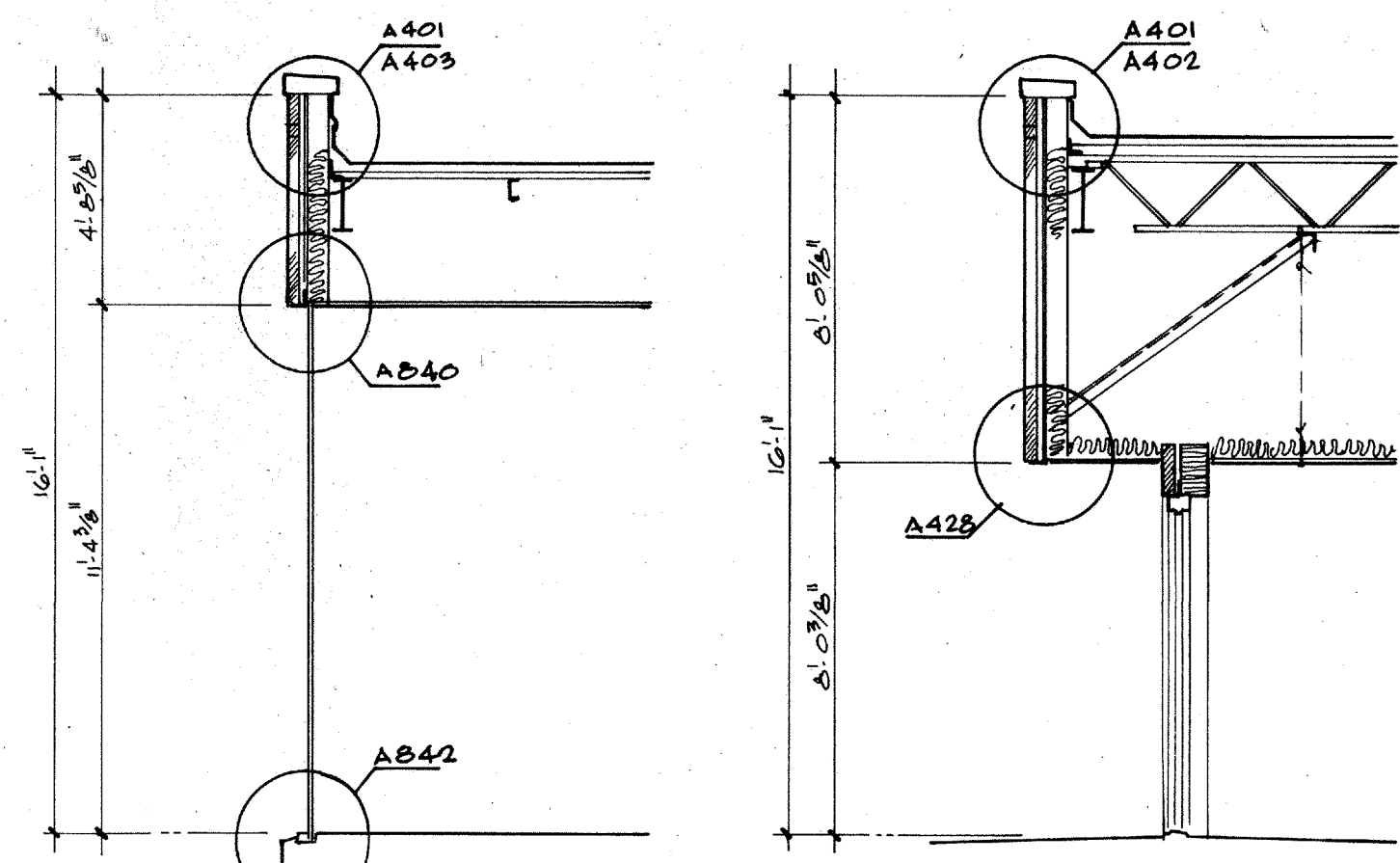
A413



A408

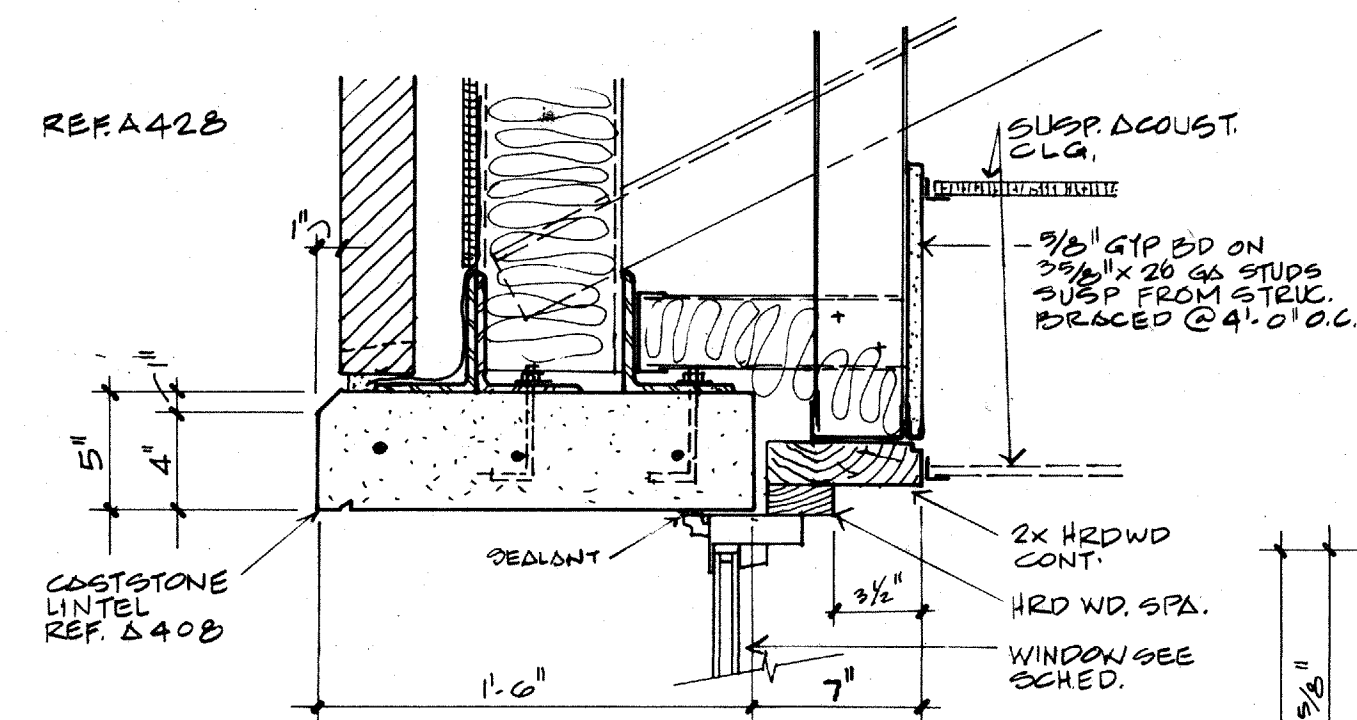


A402

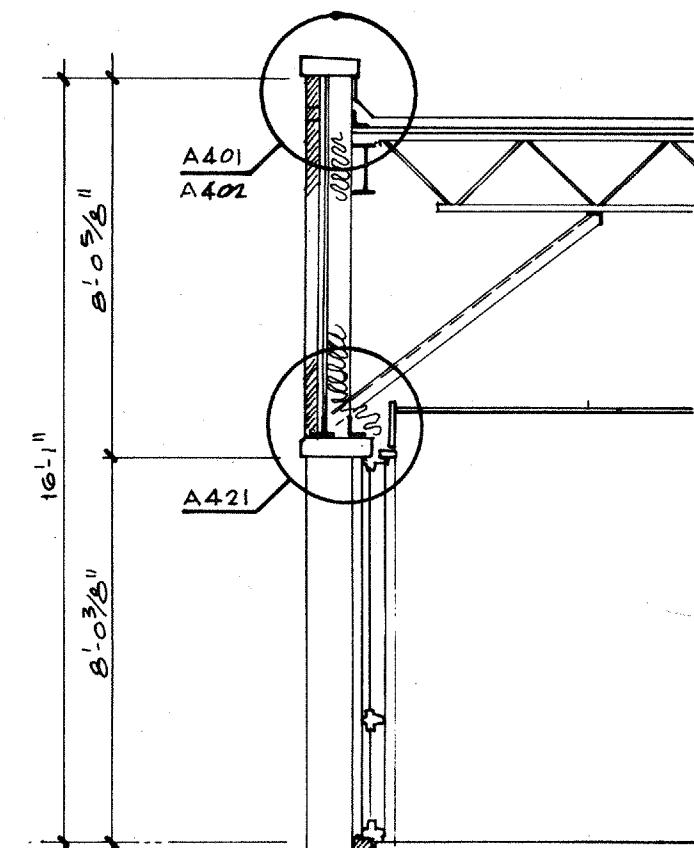


A430

A429

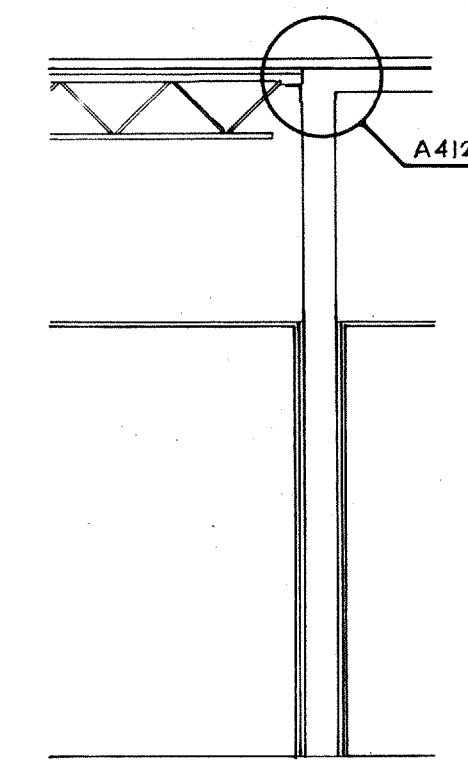


A421



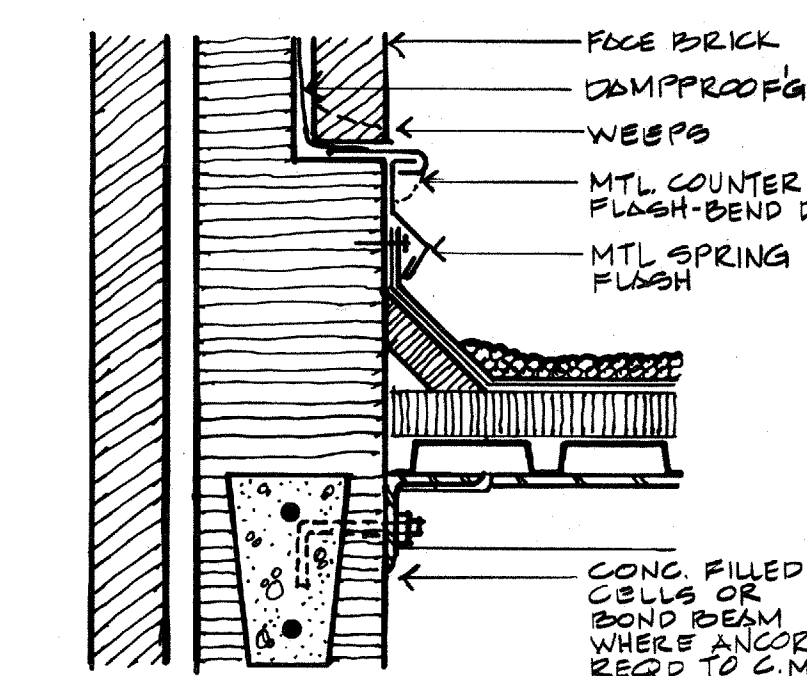
A417

A418

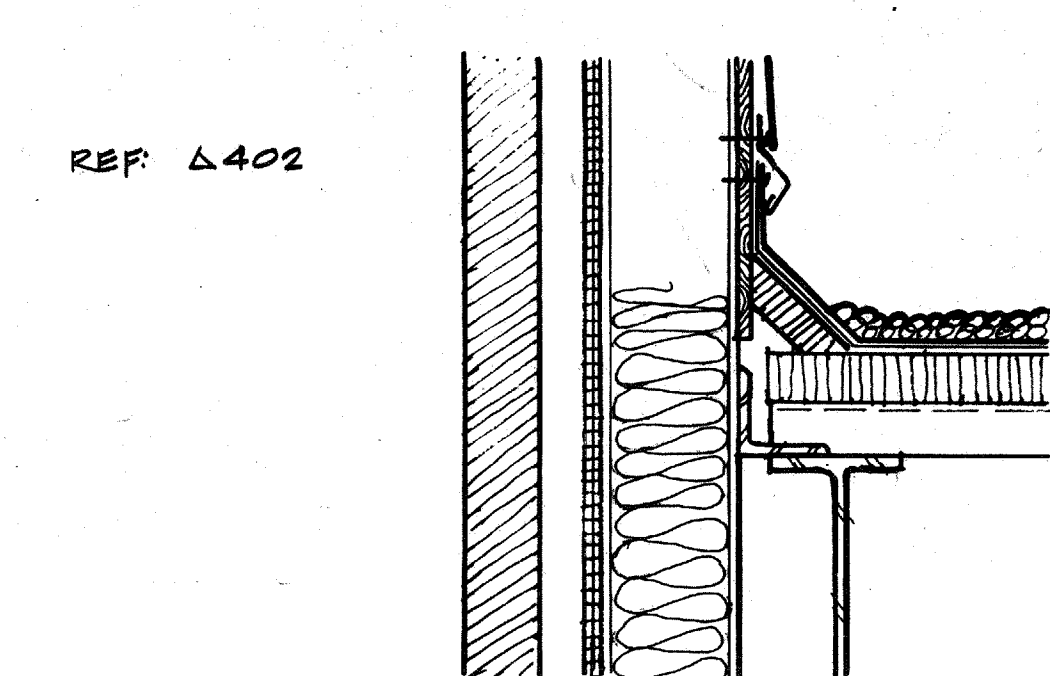


A414

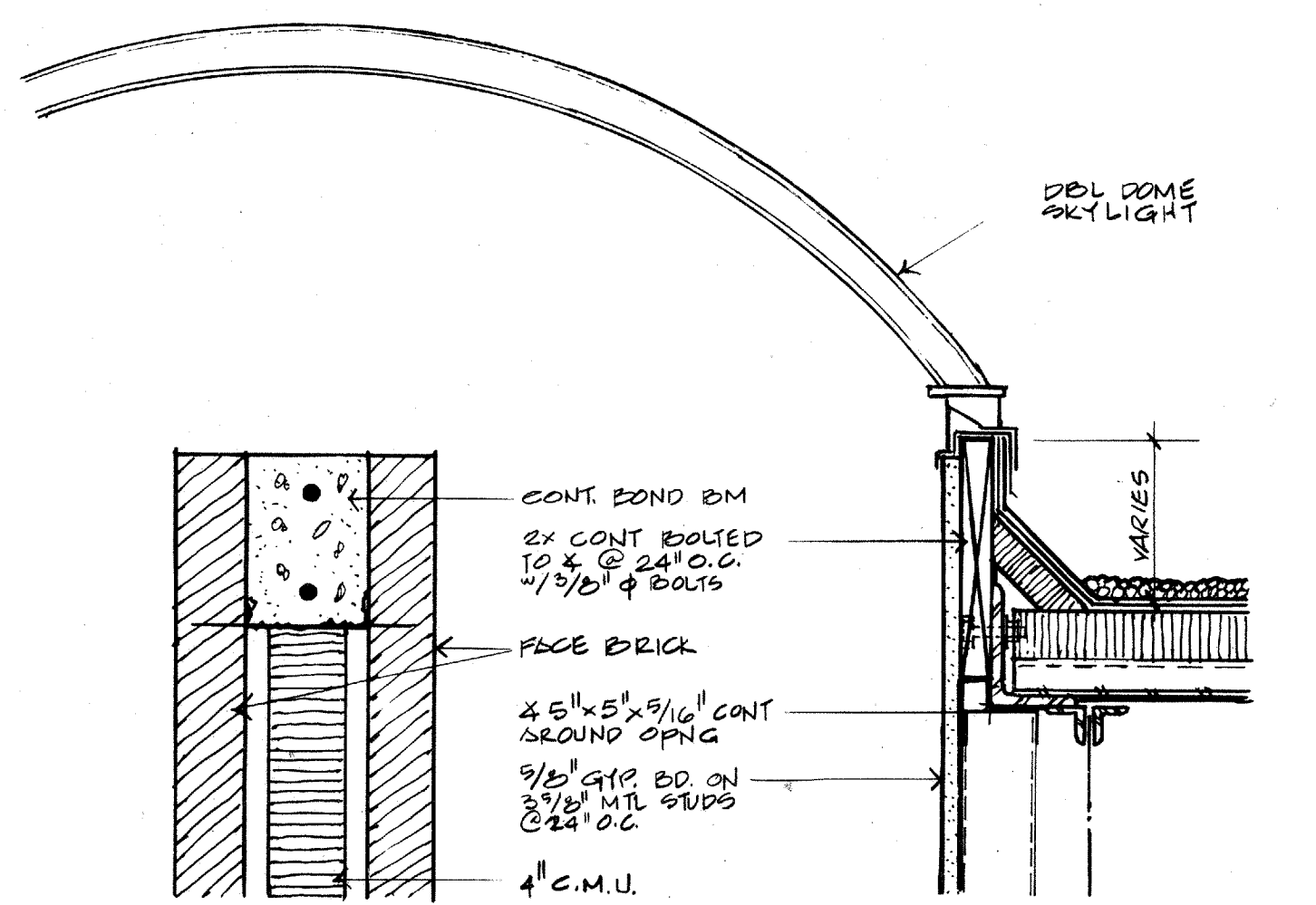
A415



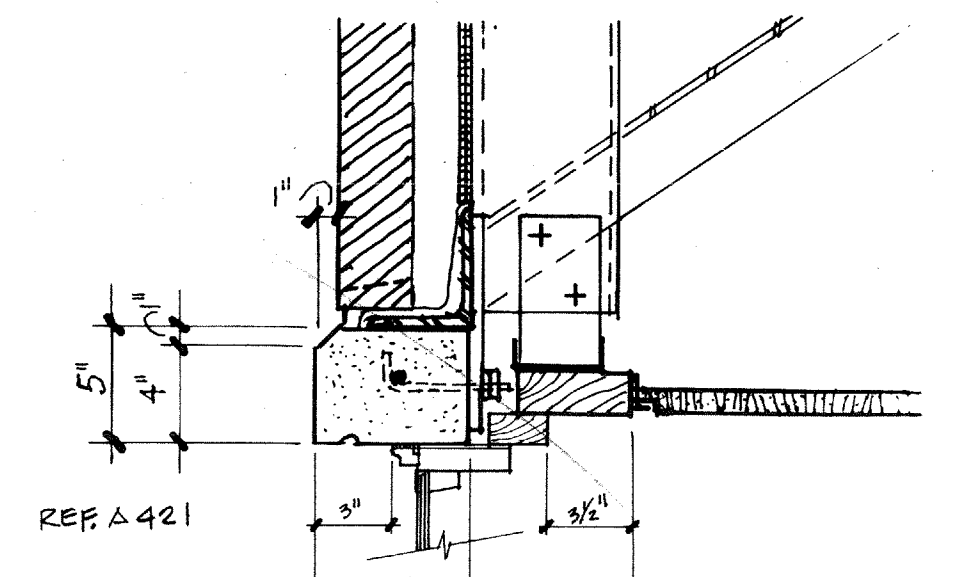
A409



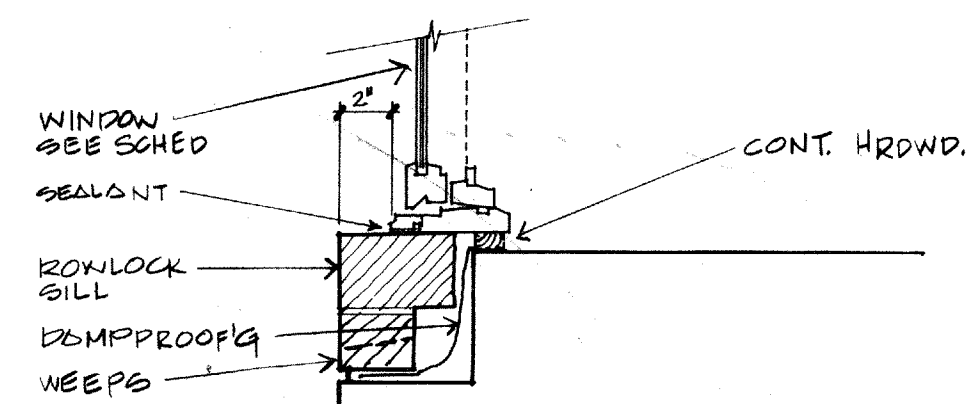
A403



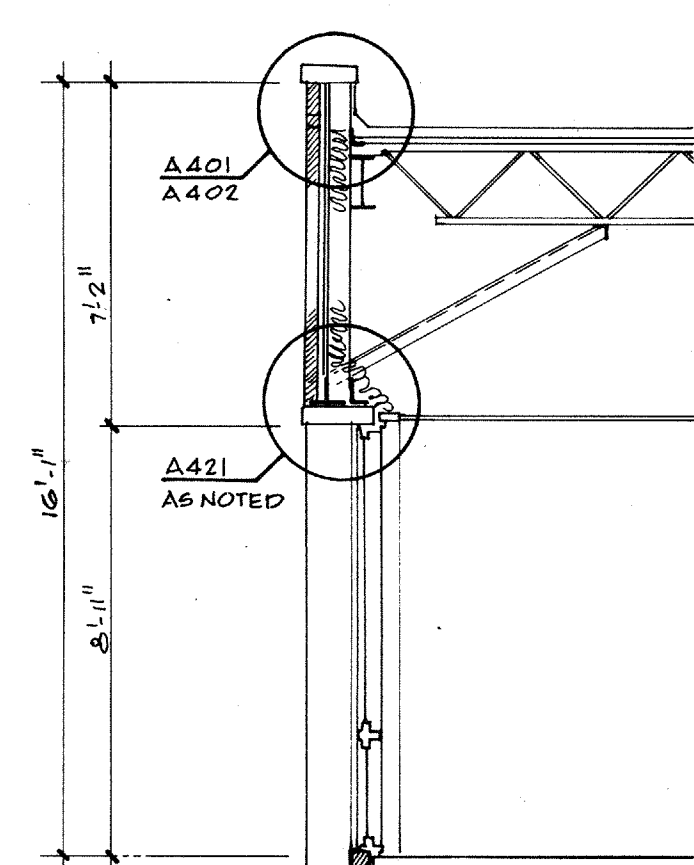
A426



A422

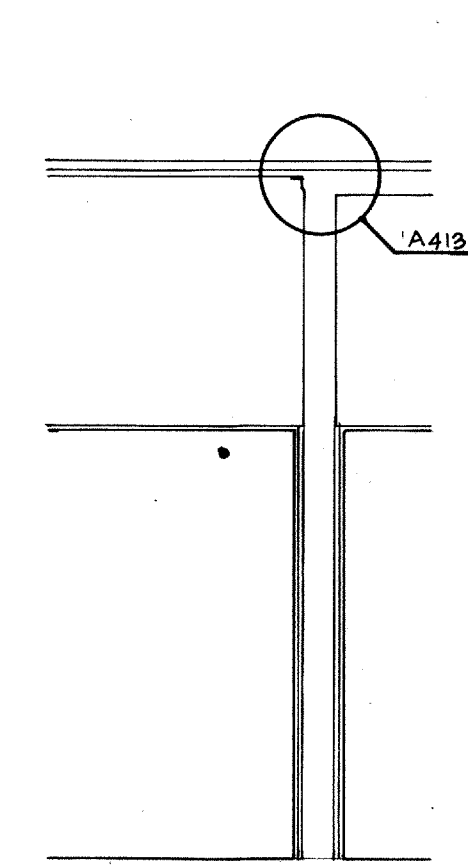


A423



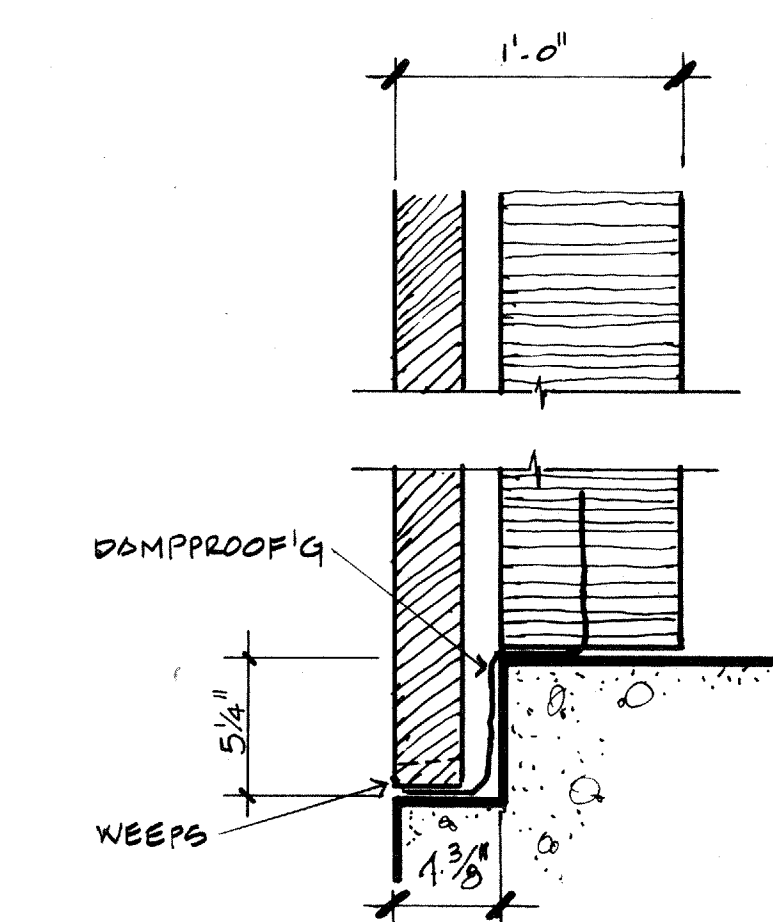
A417

A418

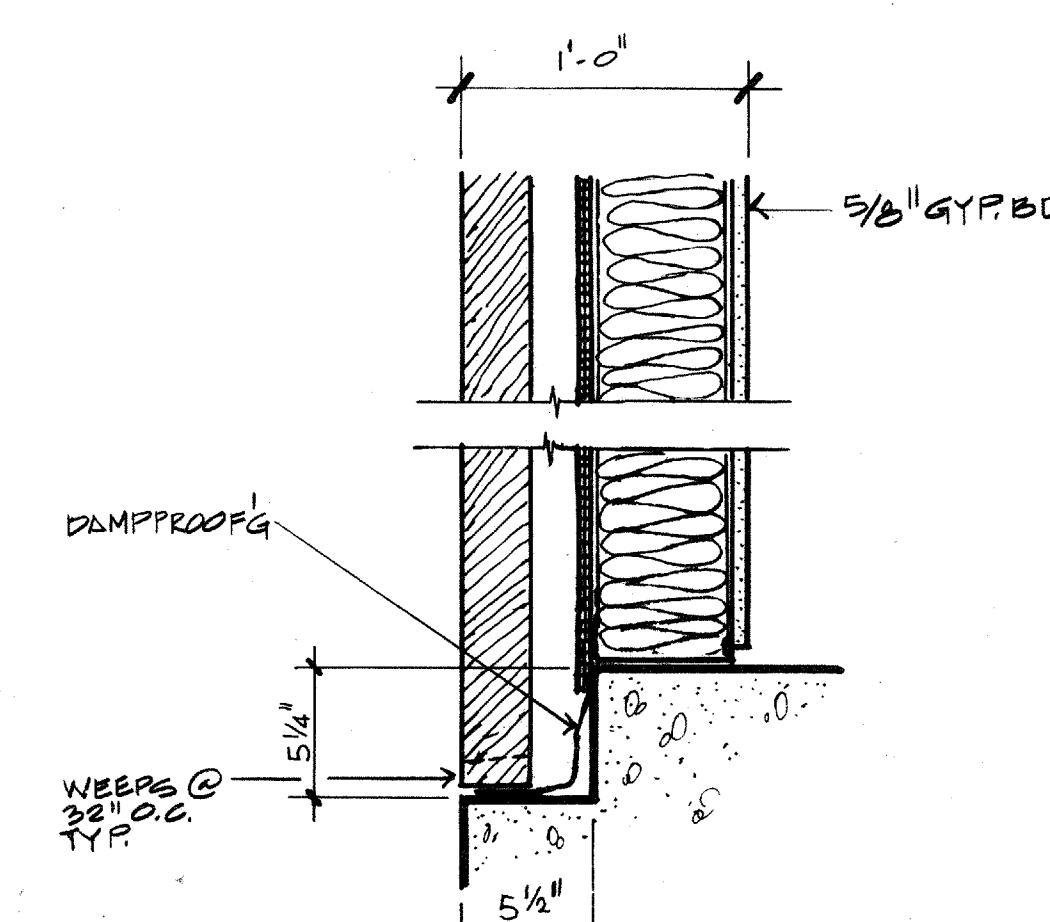


A414

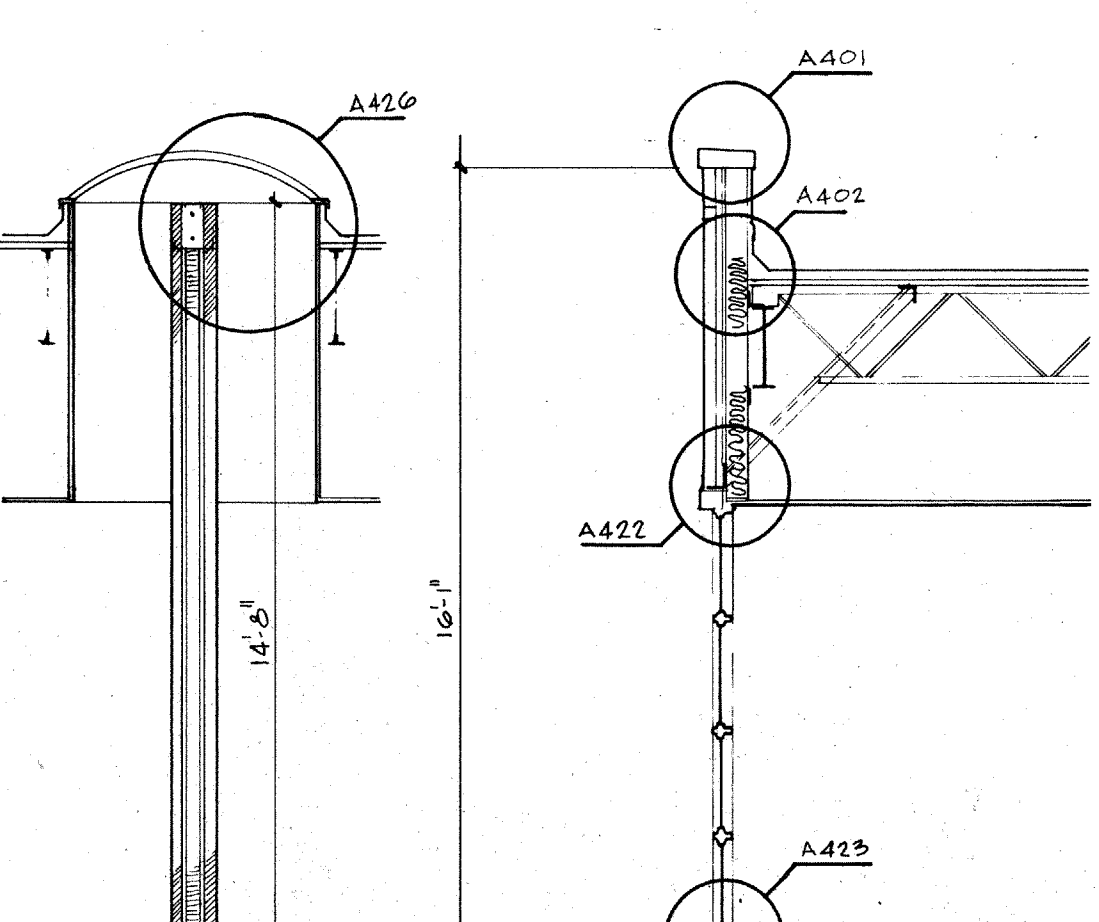
A415



A410

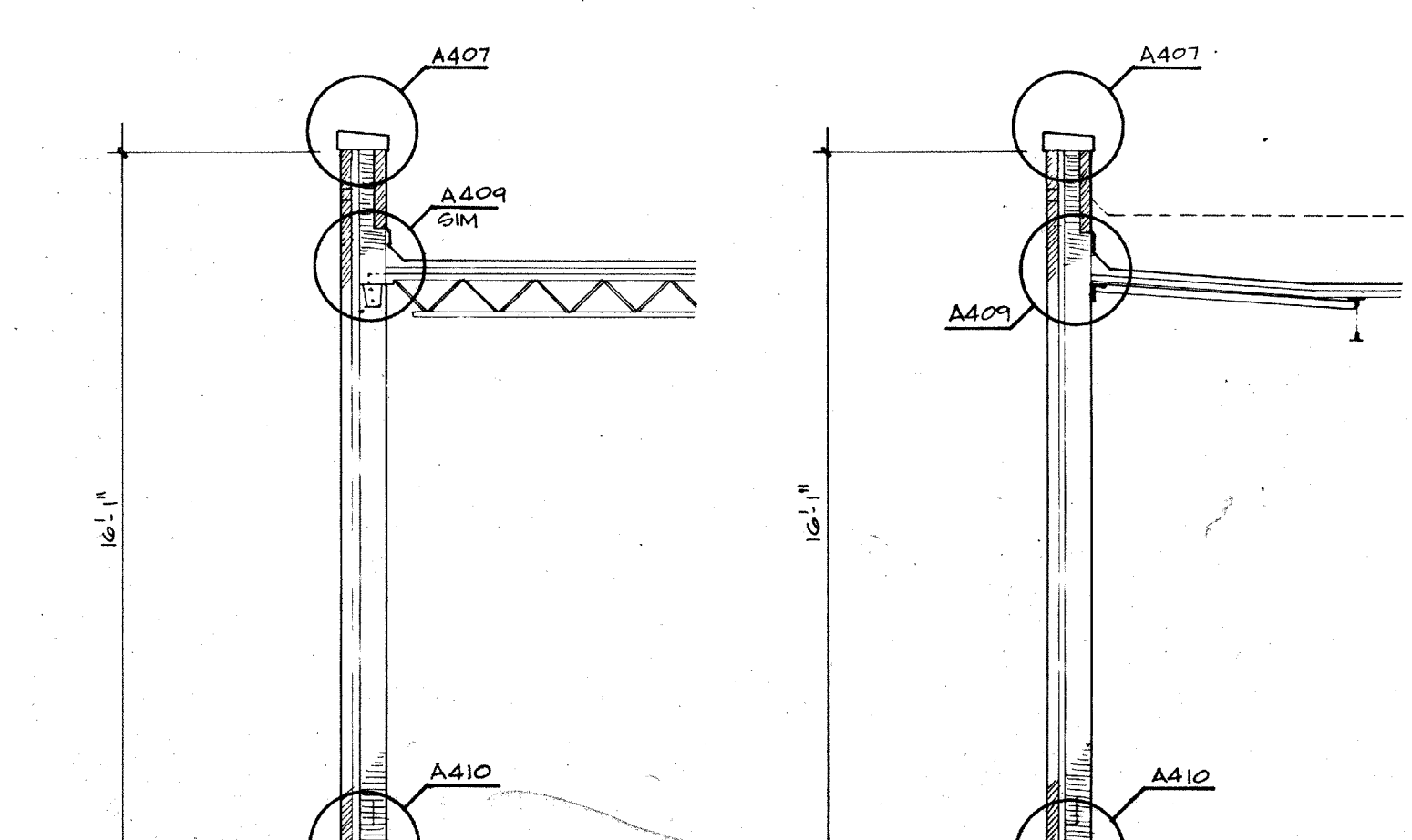


A404



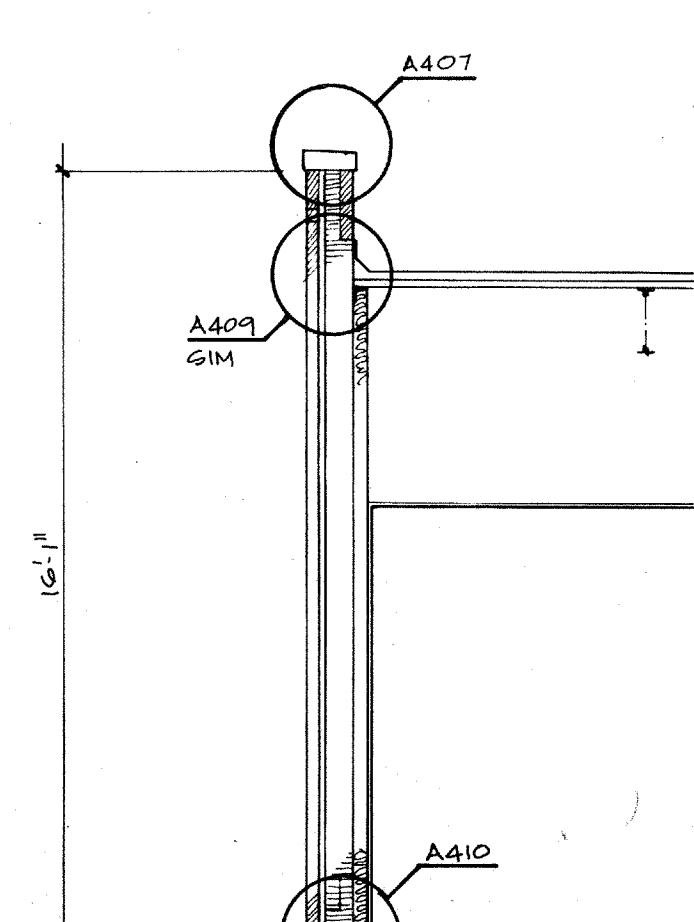
A427

A425



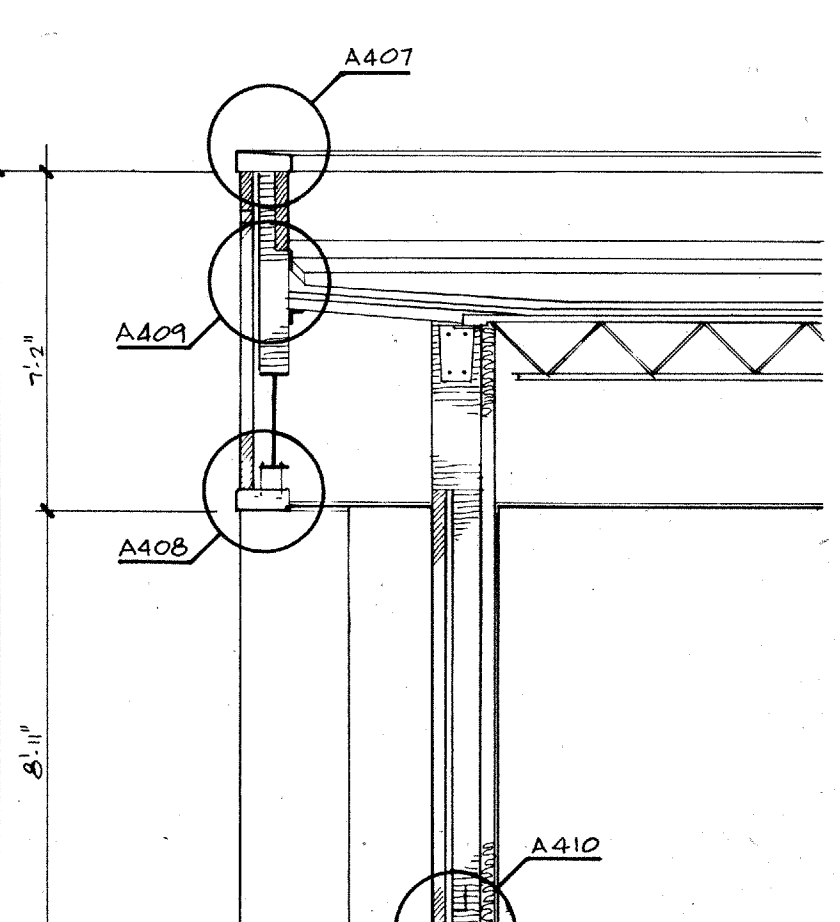
A424

A420



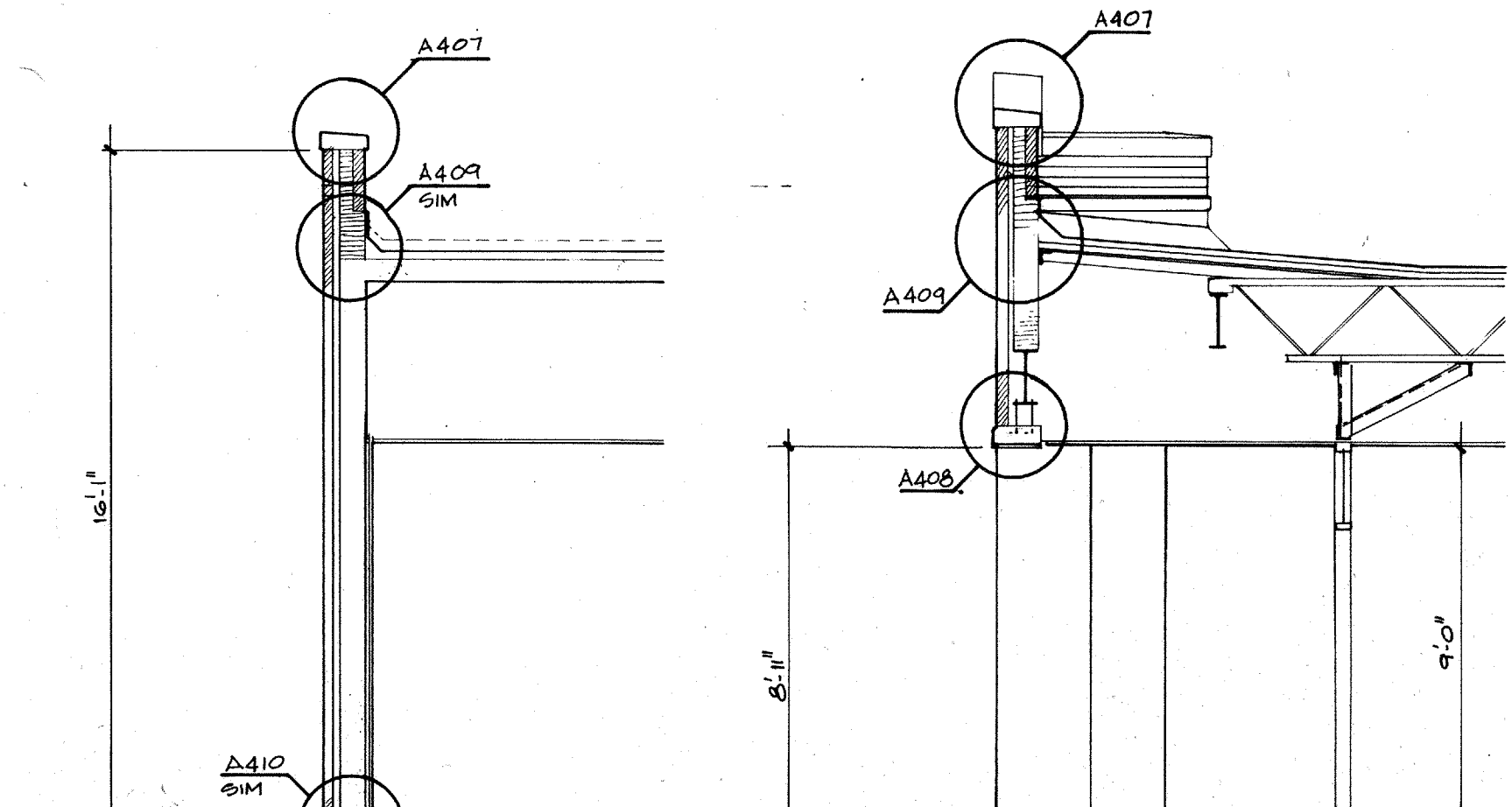
A419

A411



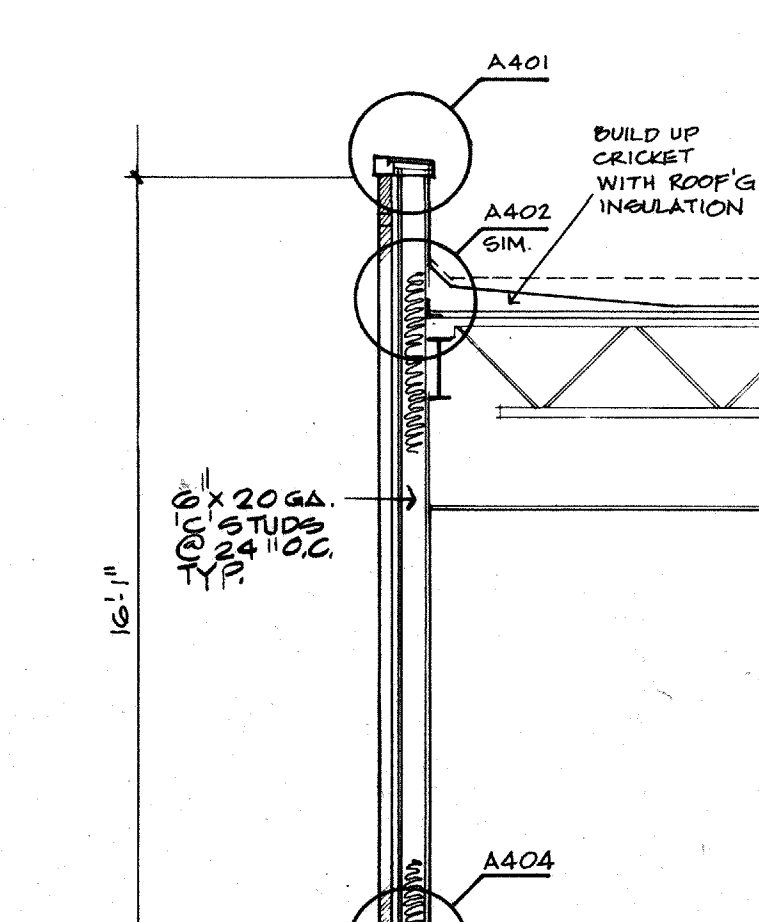
A416

A406



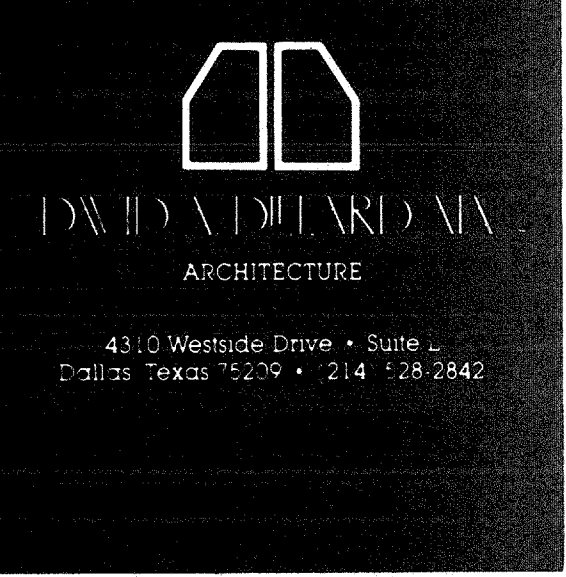
A411

A406



A405

David A. Dilbeck #1612



DAVID DILBECK
ARCHITECTURE
4310 Westside Drive • Suite 6
Dallas, Texas 75244 • 214.242.2842

CITY OF ADDISON
FIRE DEPARTMENT
CENTRAL OFFICES #
FIRE STATION No 1
AIRPORT PARKWAY #
ADDISON ROAD, ADDISON, TX.

WALL SECTIONS
DETAILS
PROJECT No SHEET No
82.06
DATE
6/25/82

A4