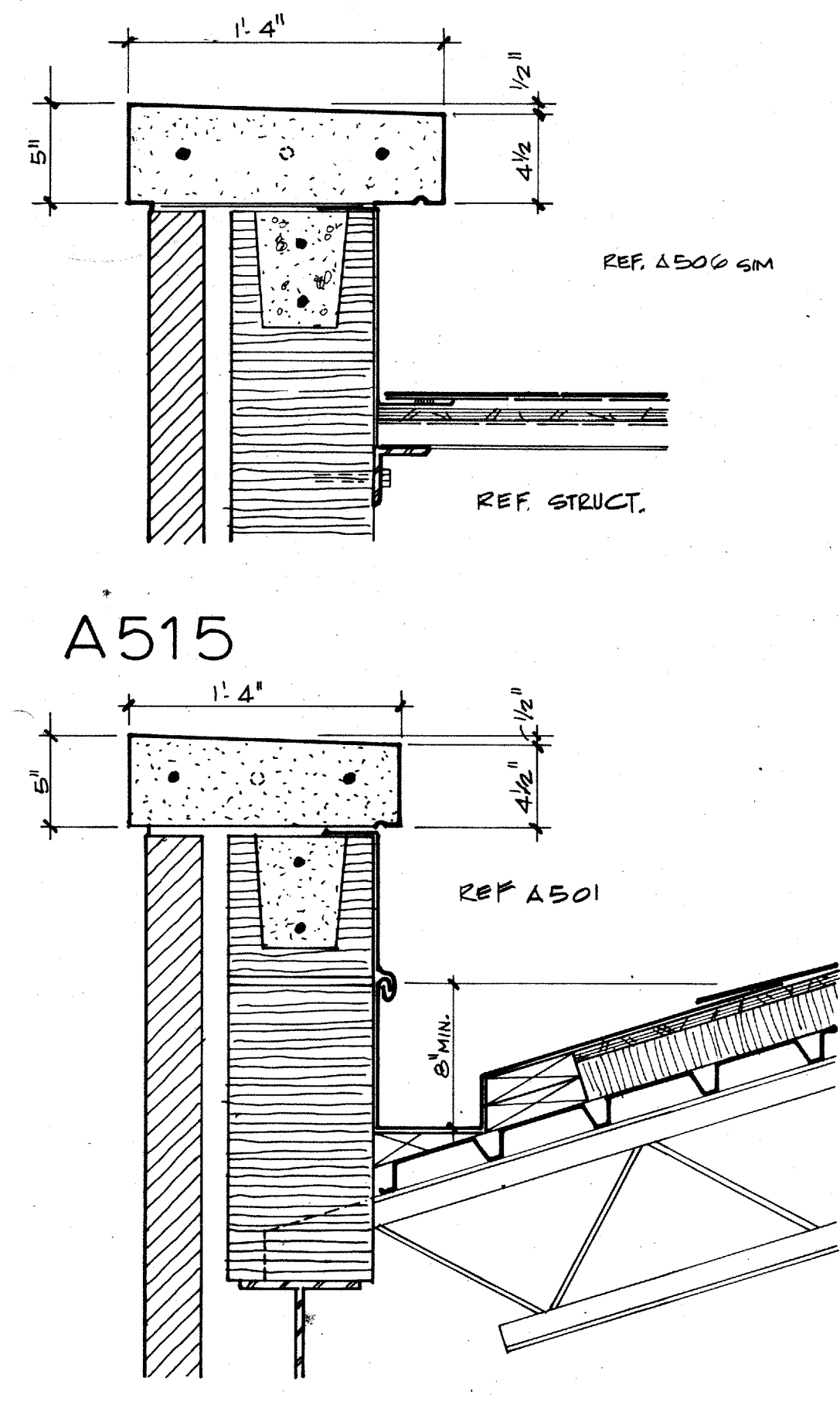
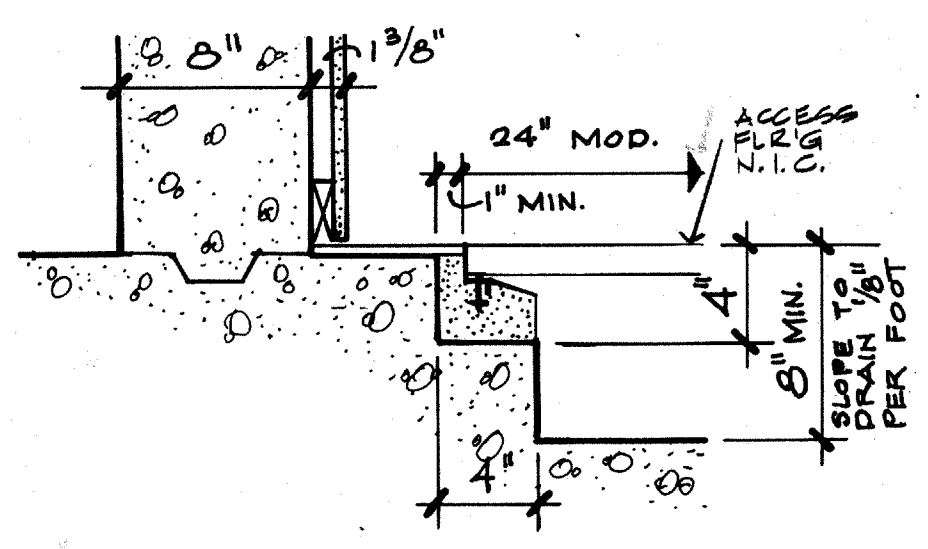


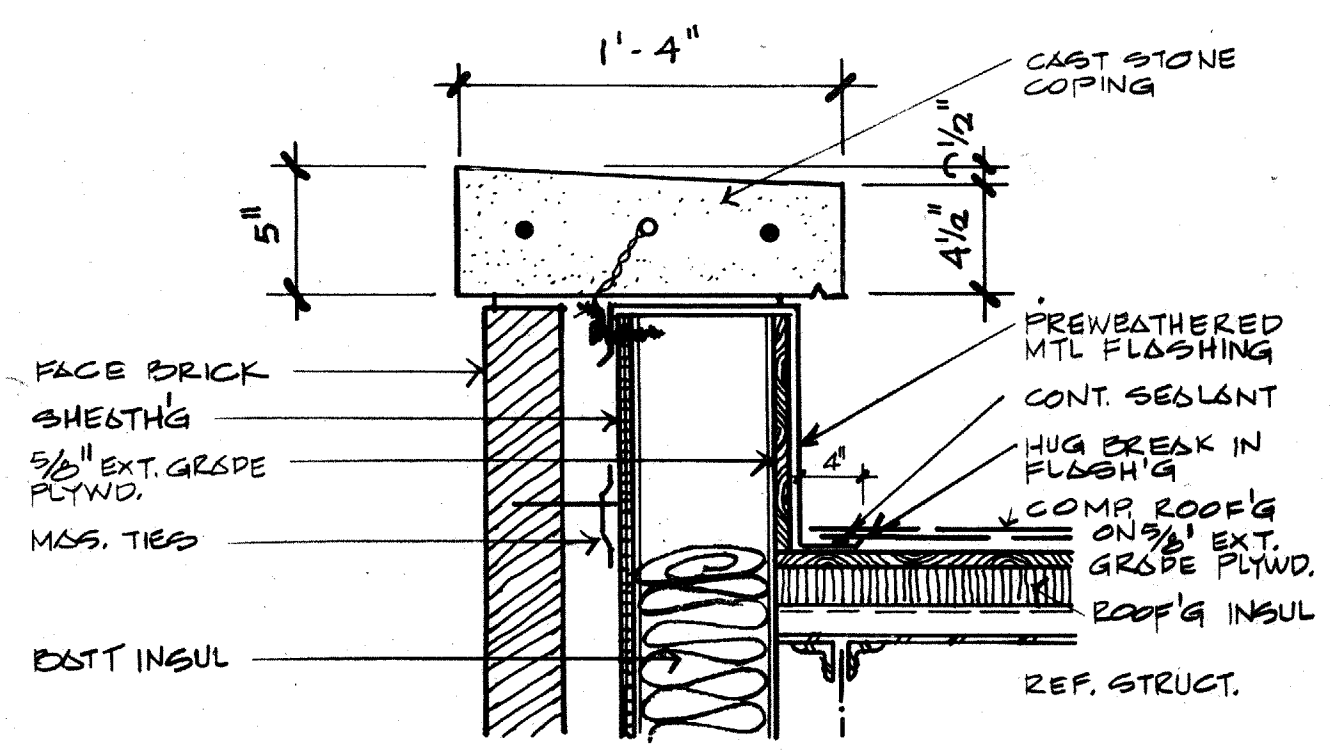
A521



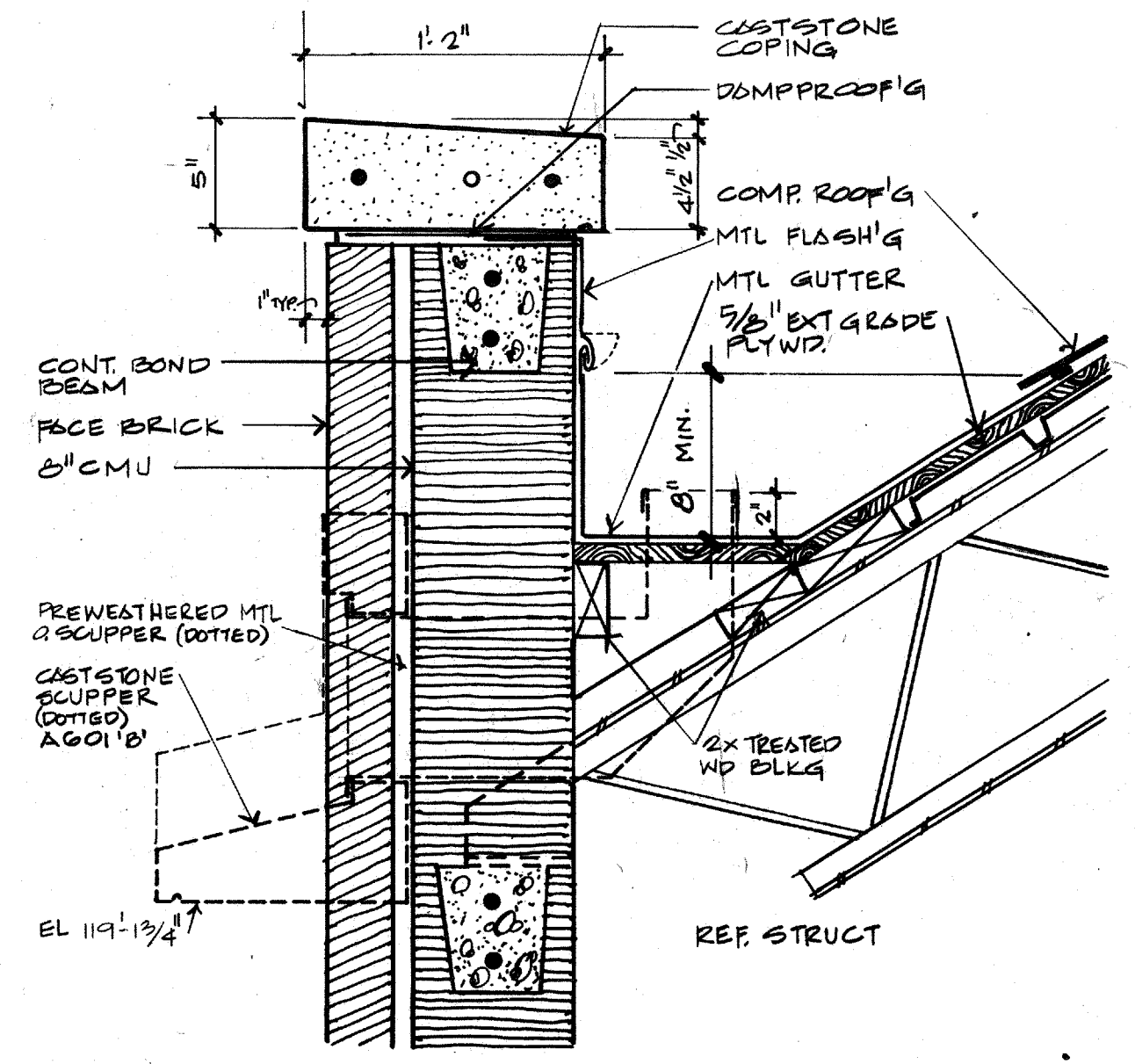
A515



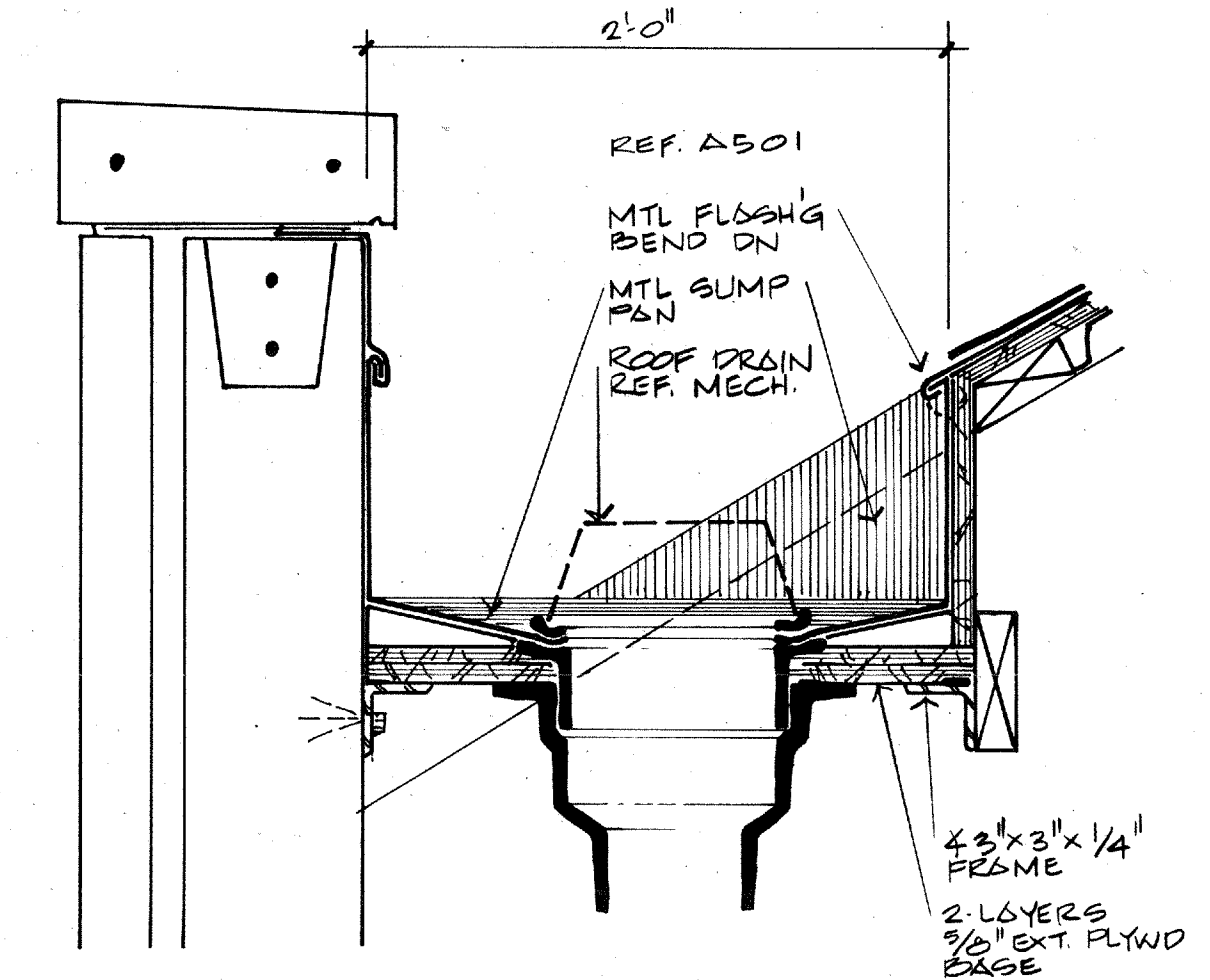
A510



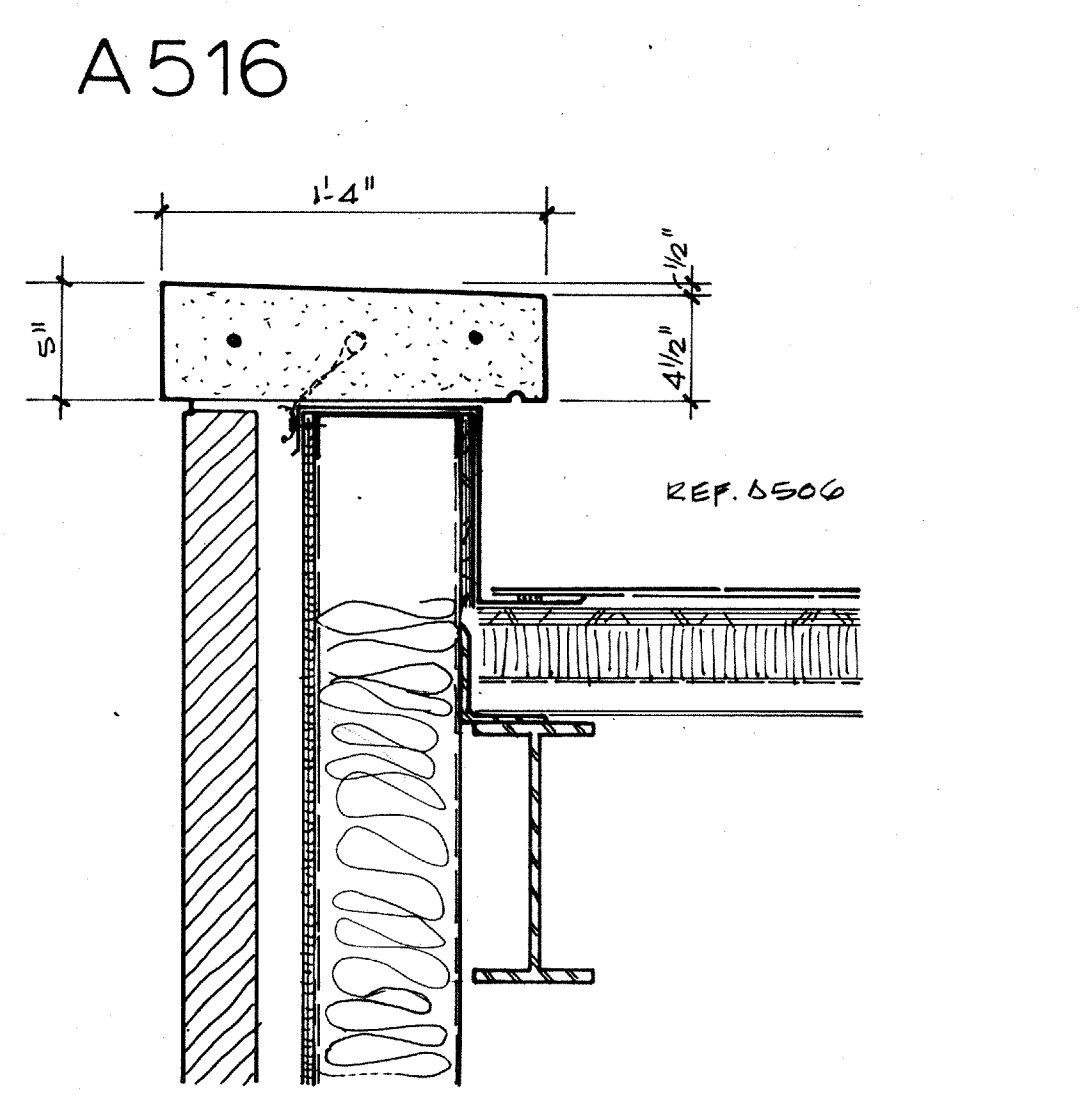
A506



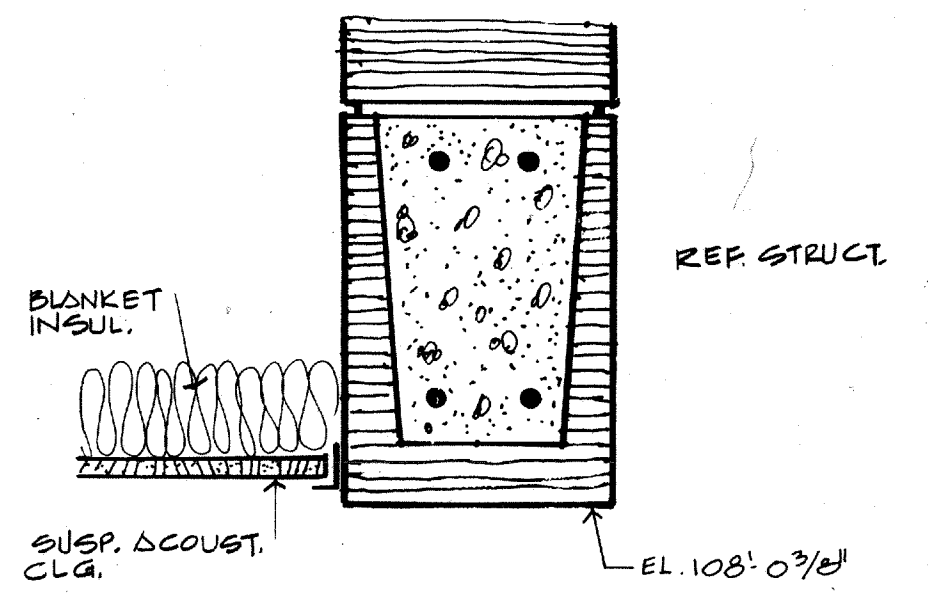
A501



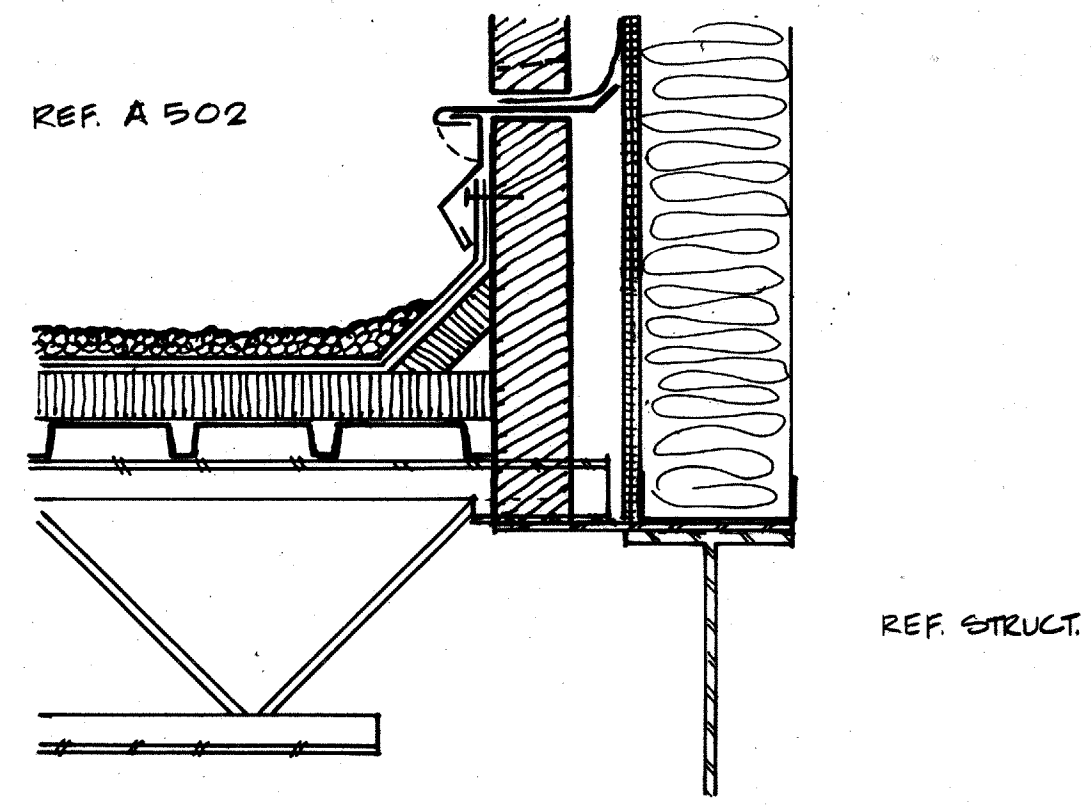
A522



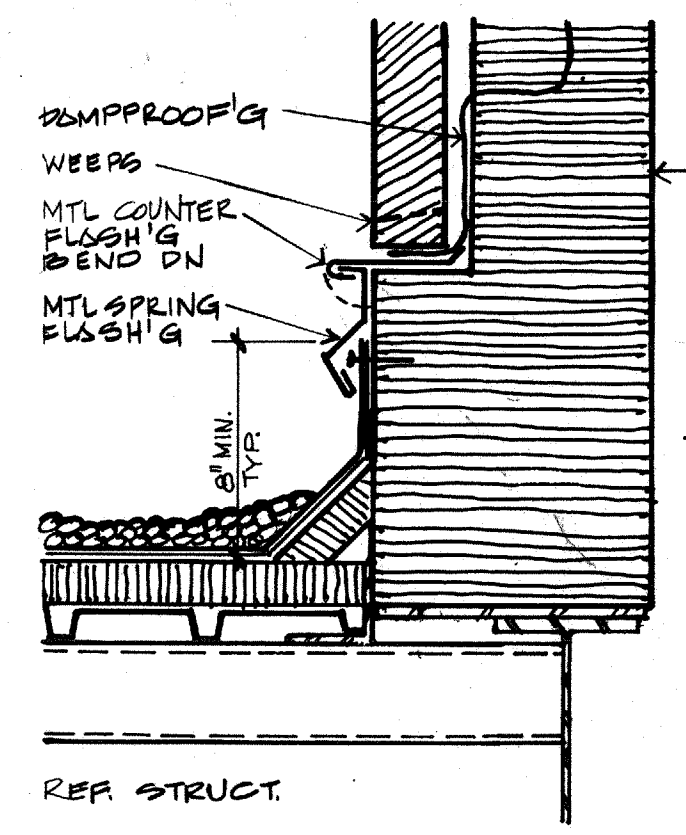
A516



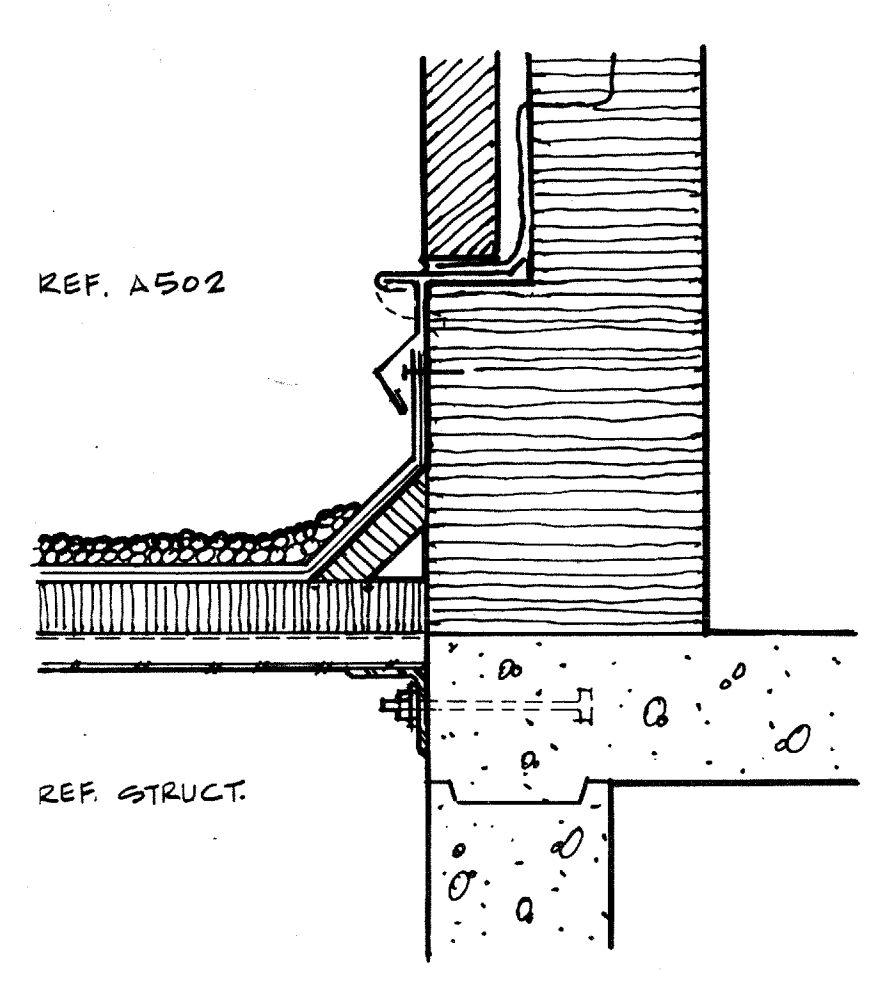
A511



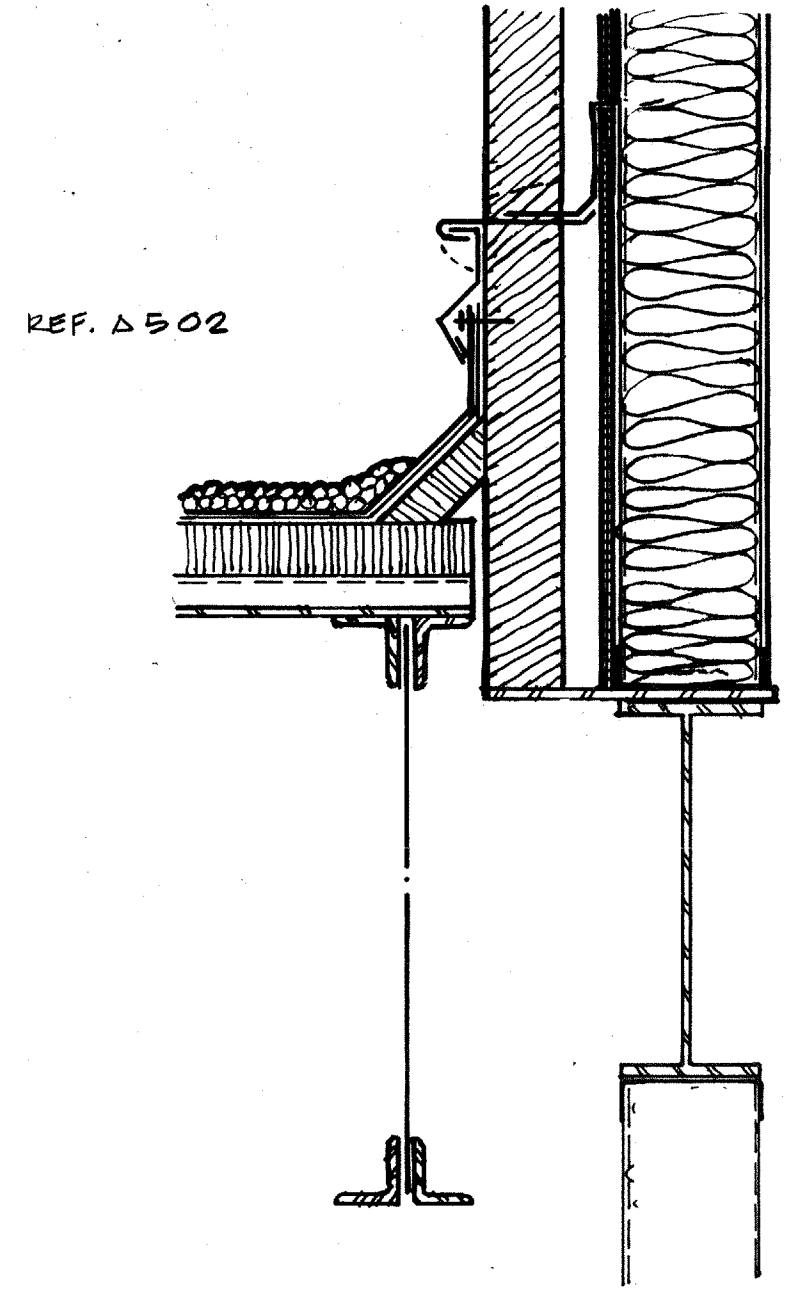
A507



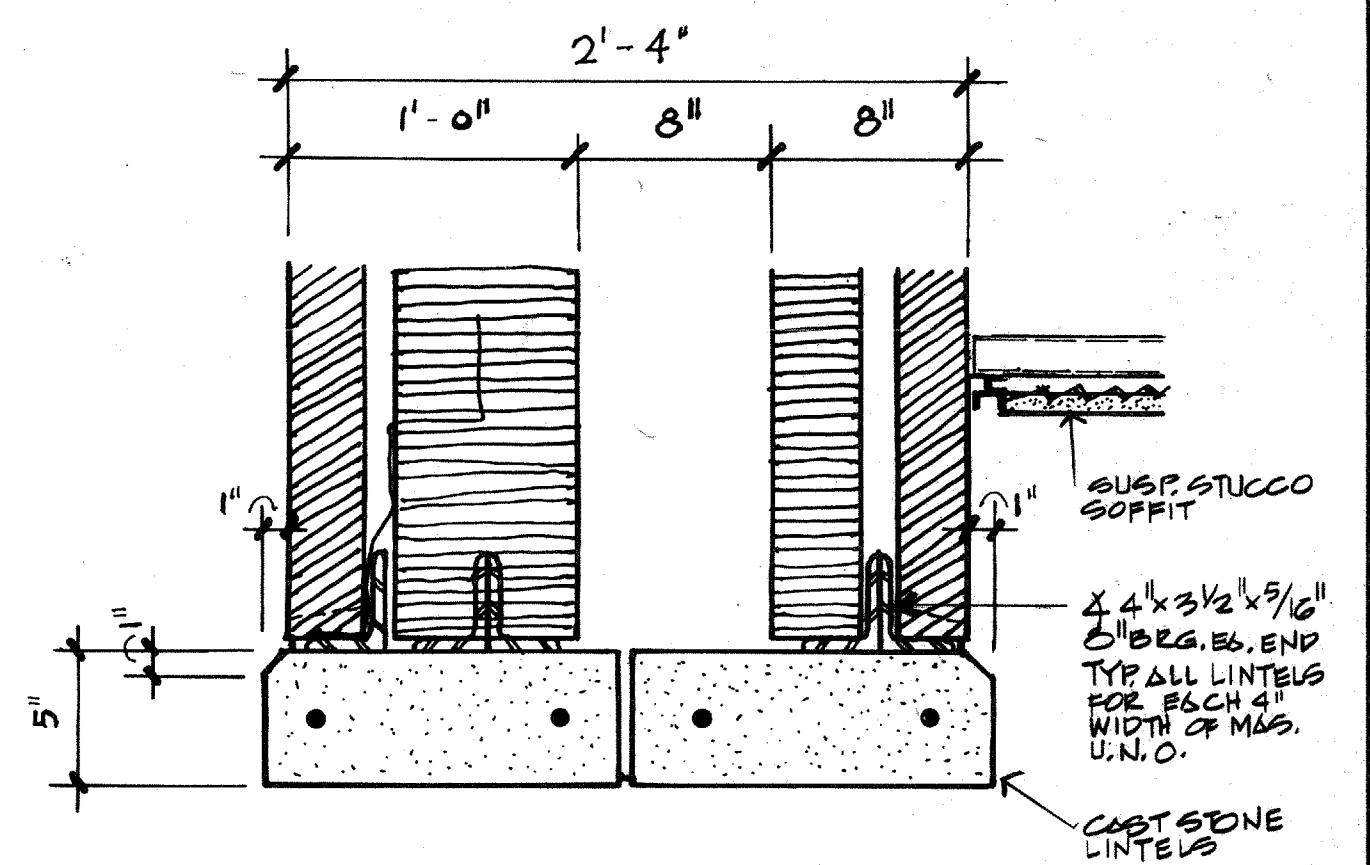
A502



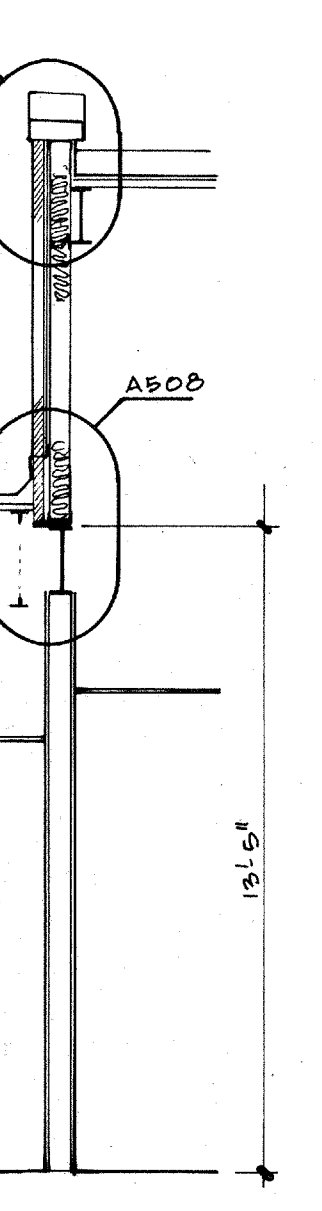
A512



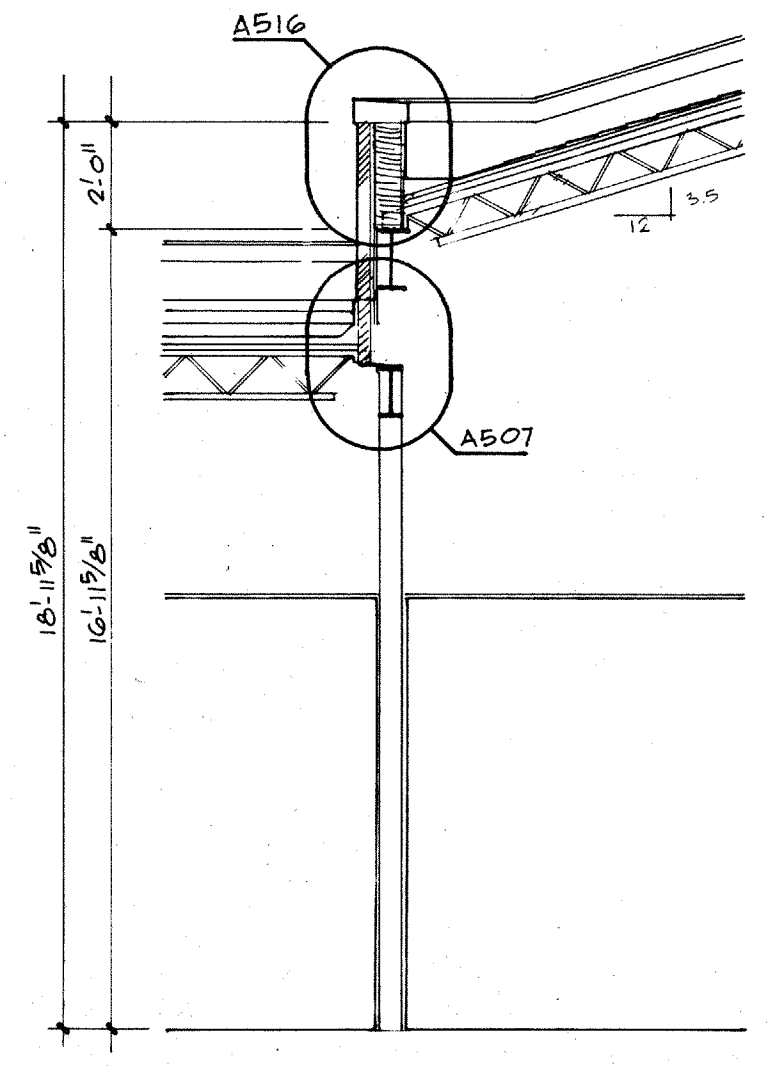
A508



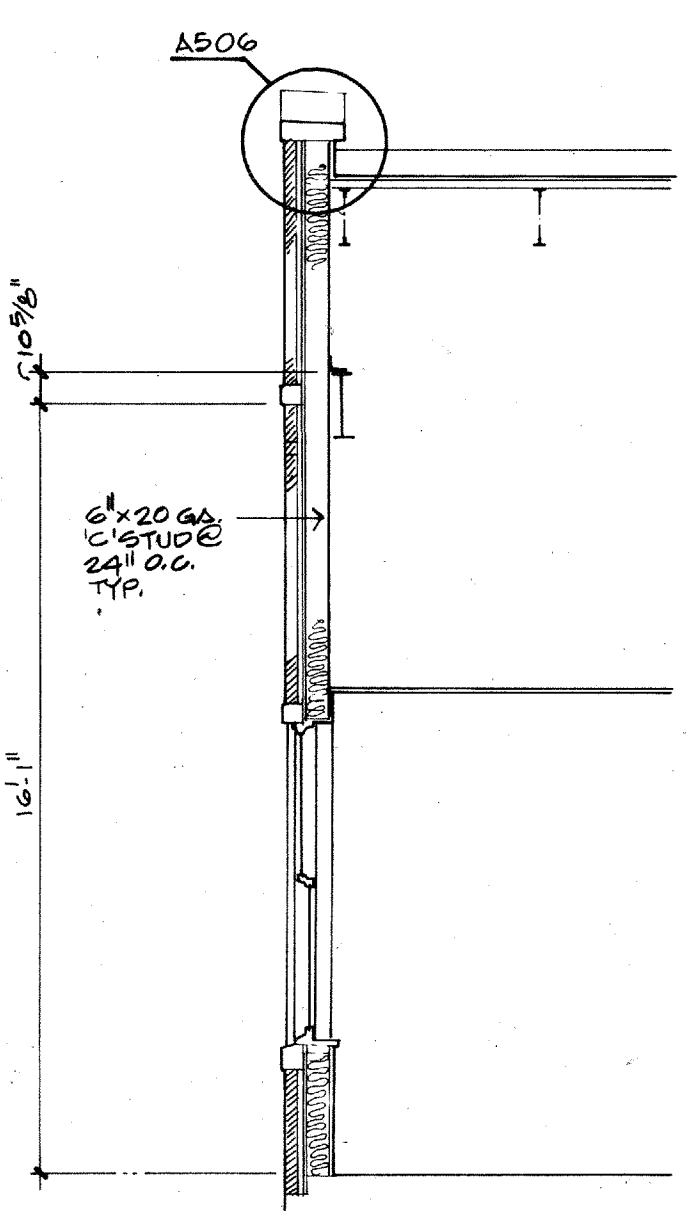
A503



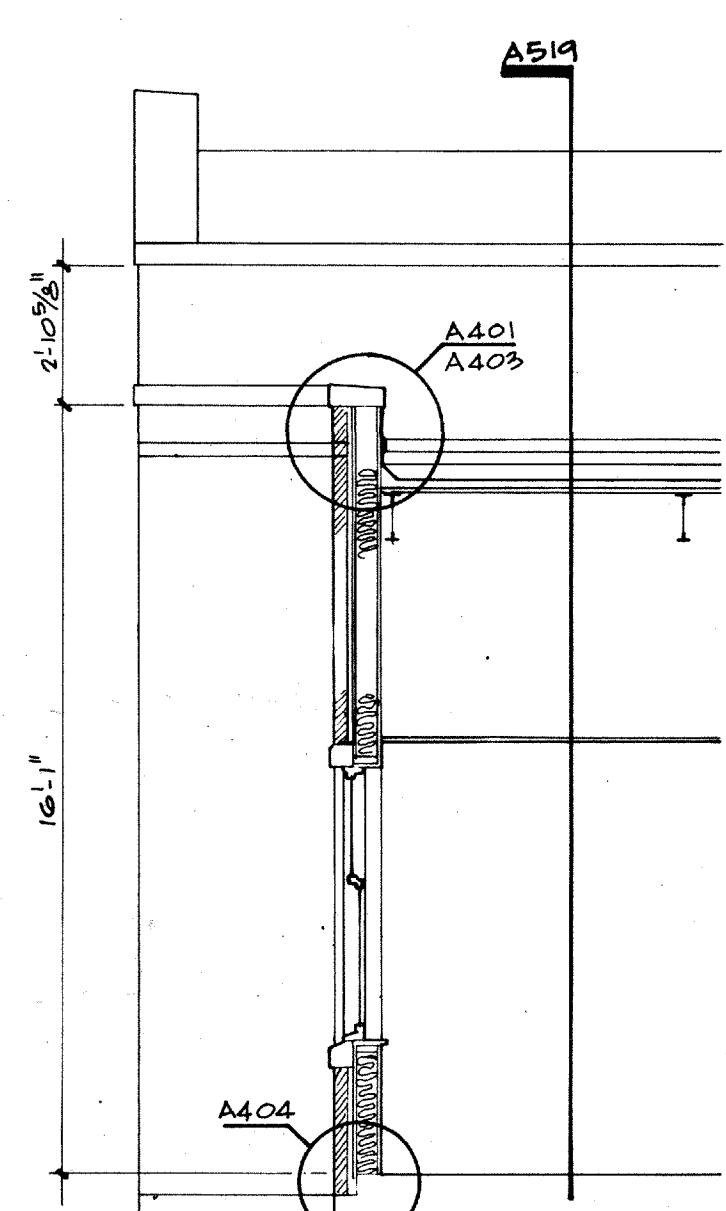
A520



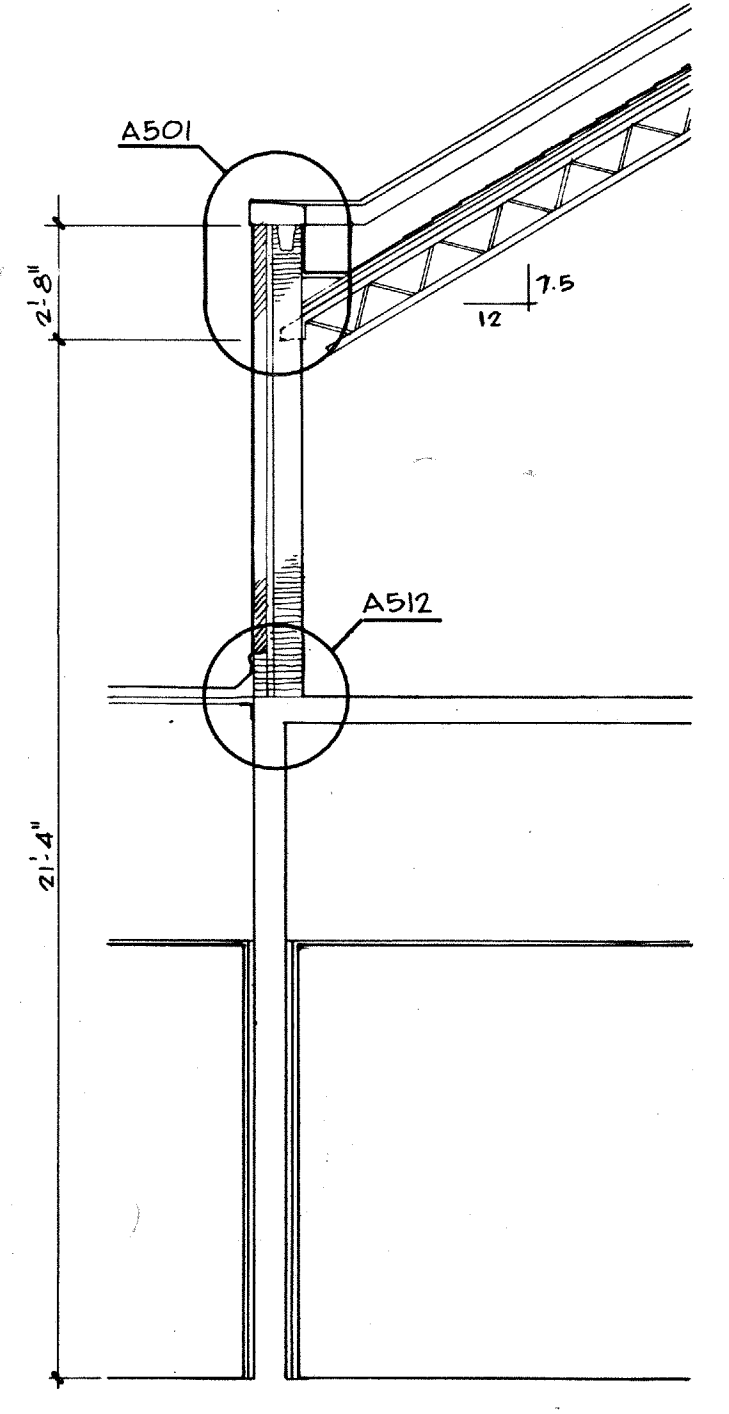
A519



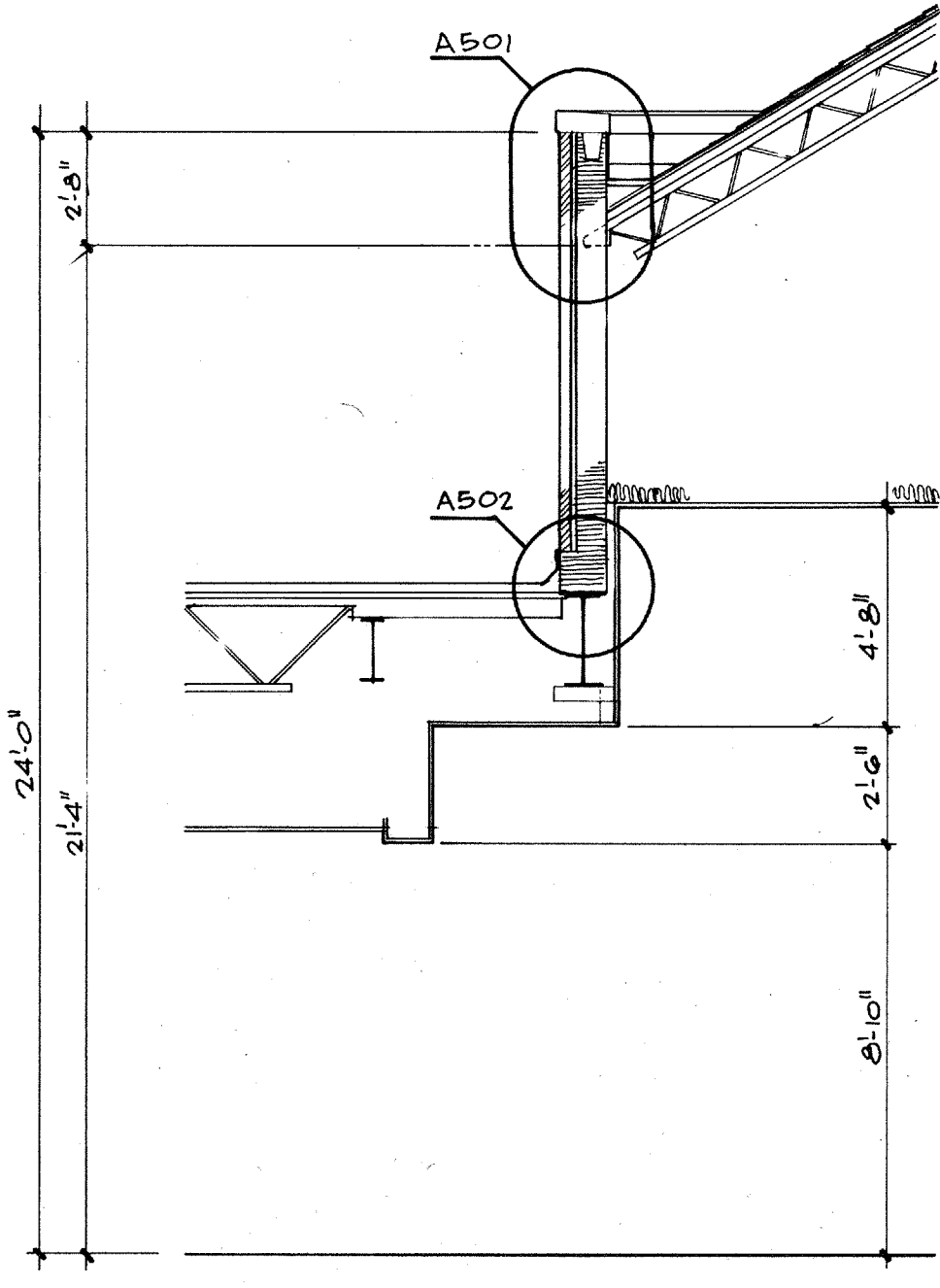
A518



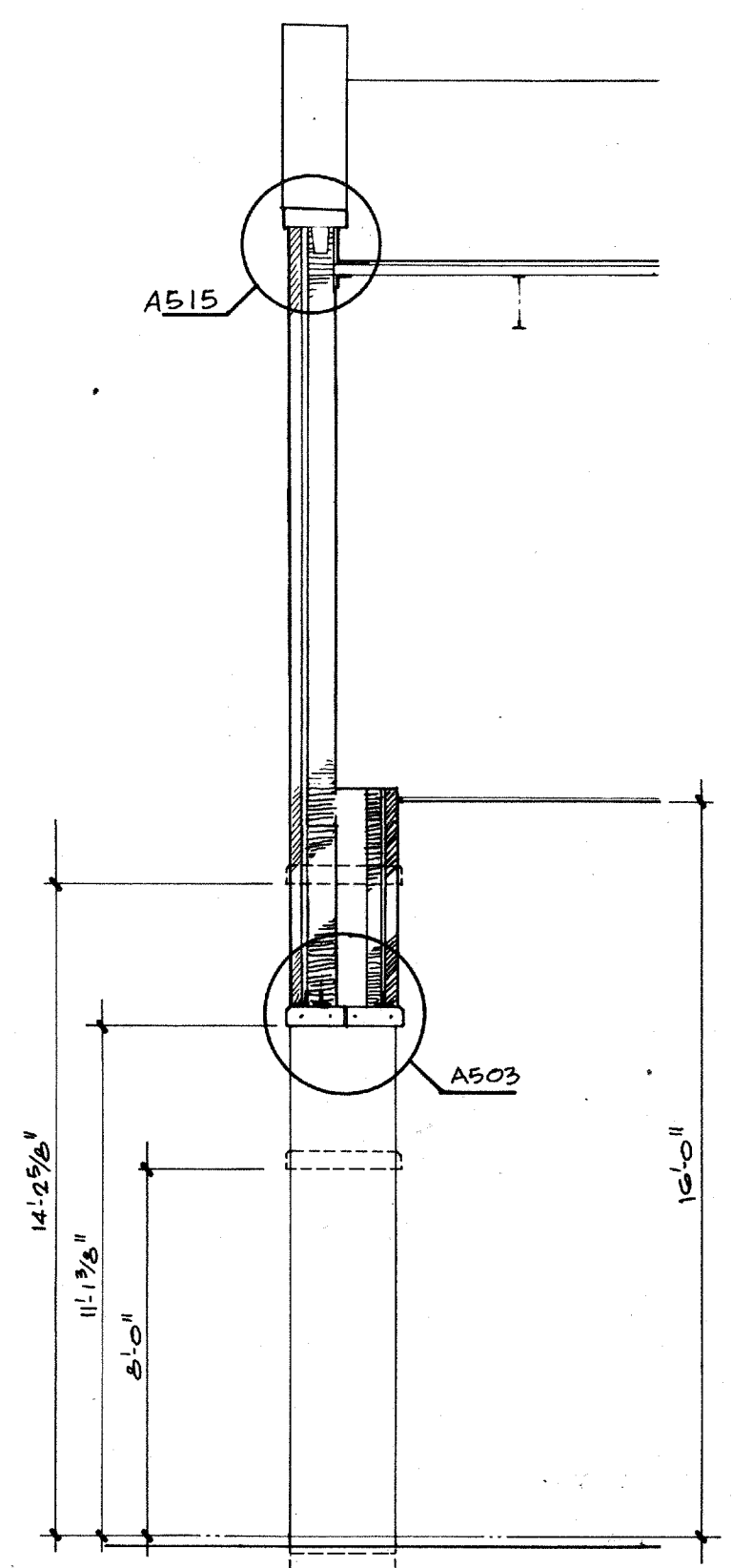
A514



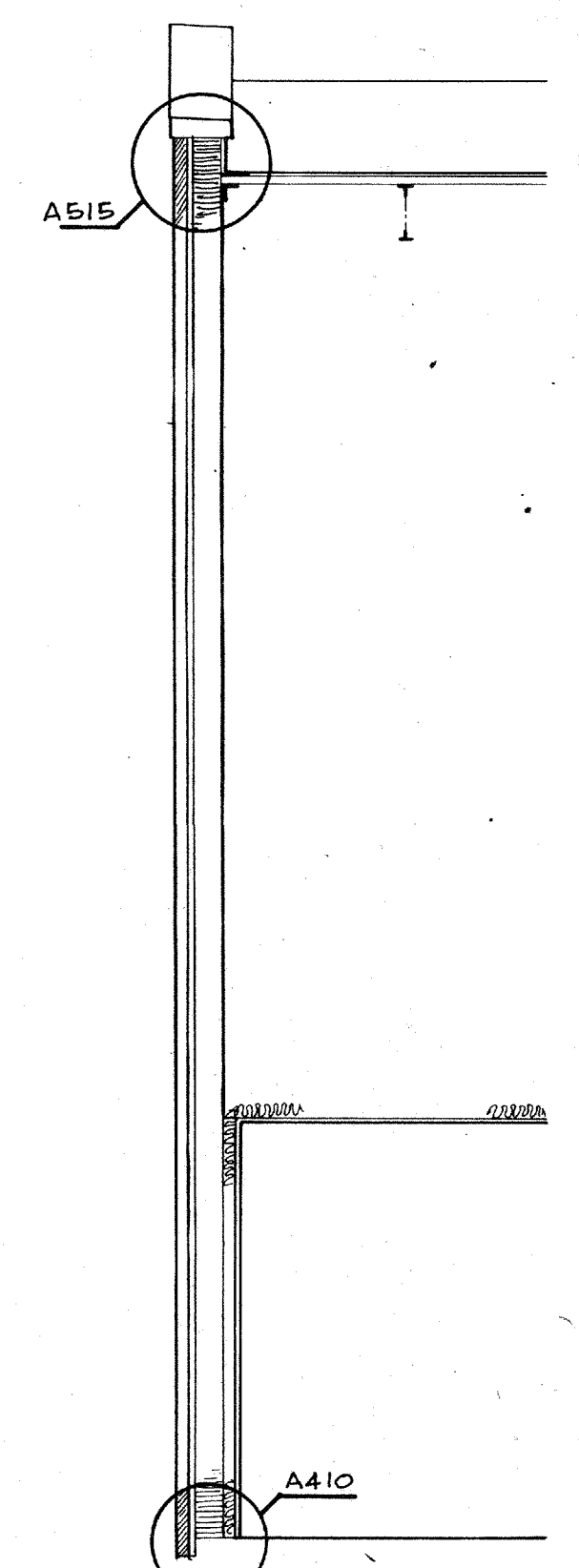
A513



A509



A505



A504

David A. Dilworth
#1062

DAVID A. DILWORTH
ARCHITECTURE
417 Westside Drive • Suite 100
Dallas, Texas 75214 • 214-748-2640

CITY OF ADDISON
FIRE DEPARTMENT
CENTRAL OFFICES &
FIRE STATION NO. 1
AIRPORT PARKWAY &
ADDISON ROAD, ADDISON, TX.

WALL SECTIONS
DETAILS

PROJECT NO. SHEET NO.
82.06
DATE
6/23/82

A5