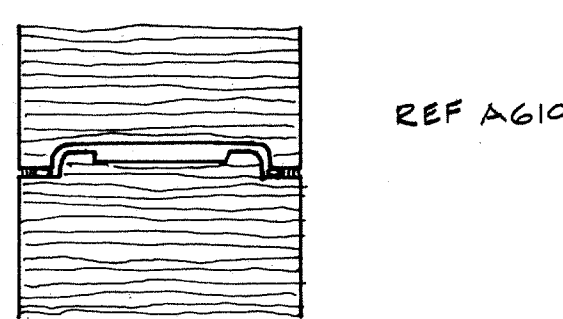
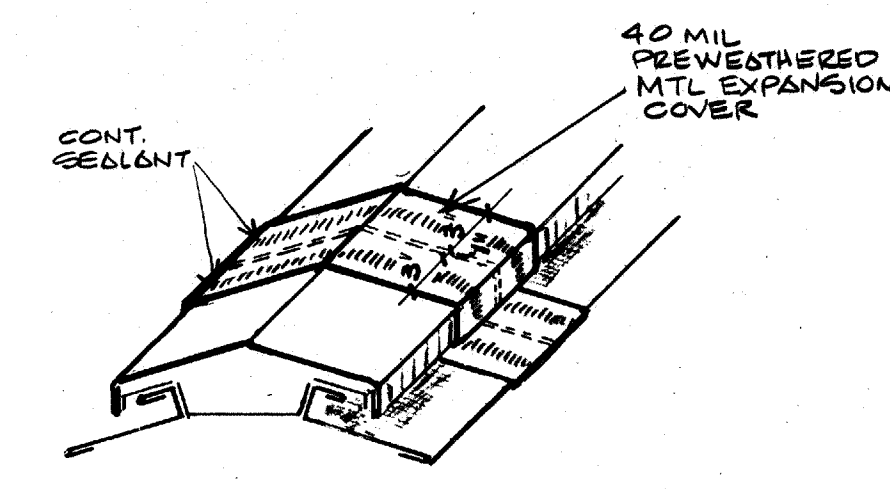


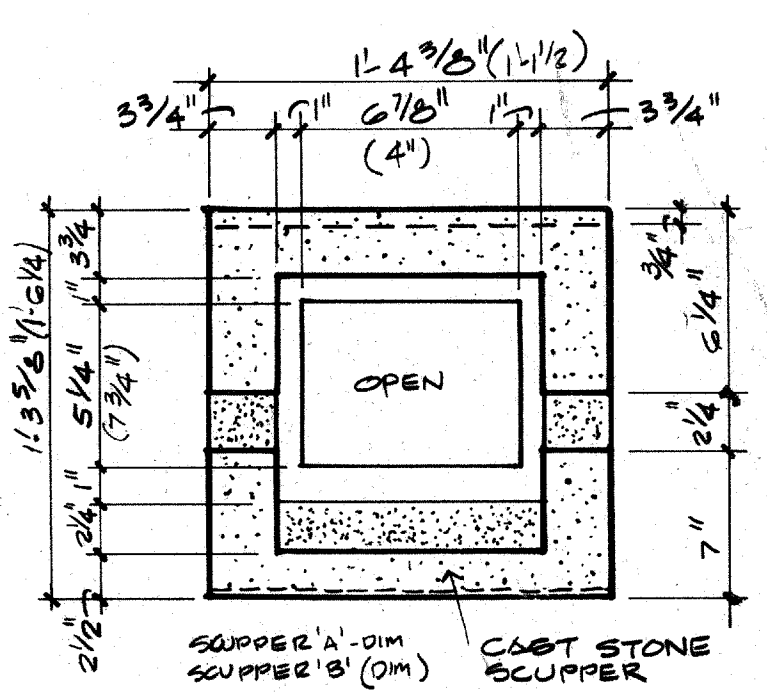
A619



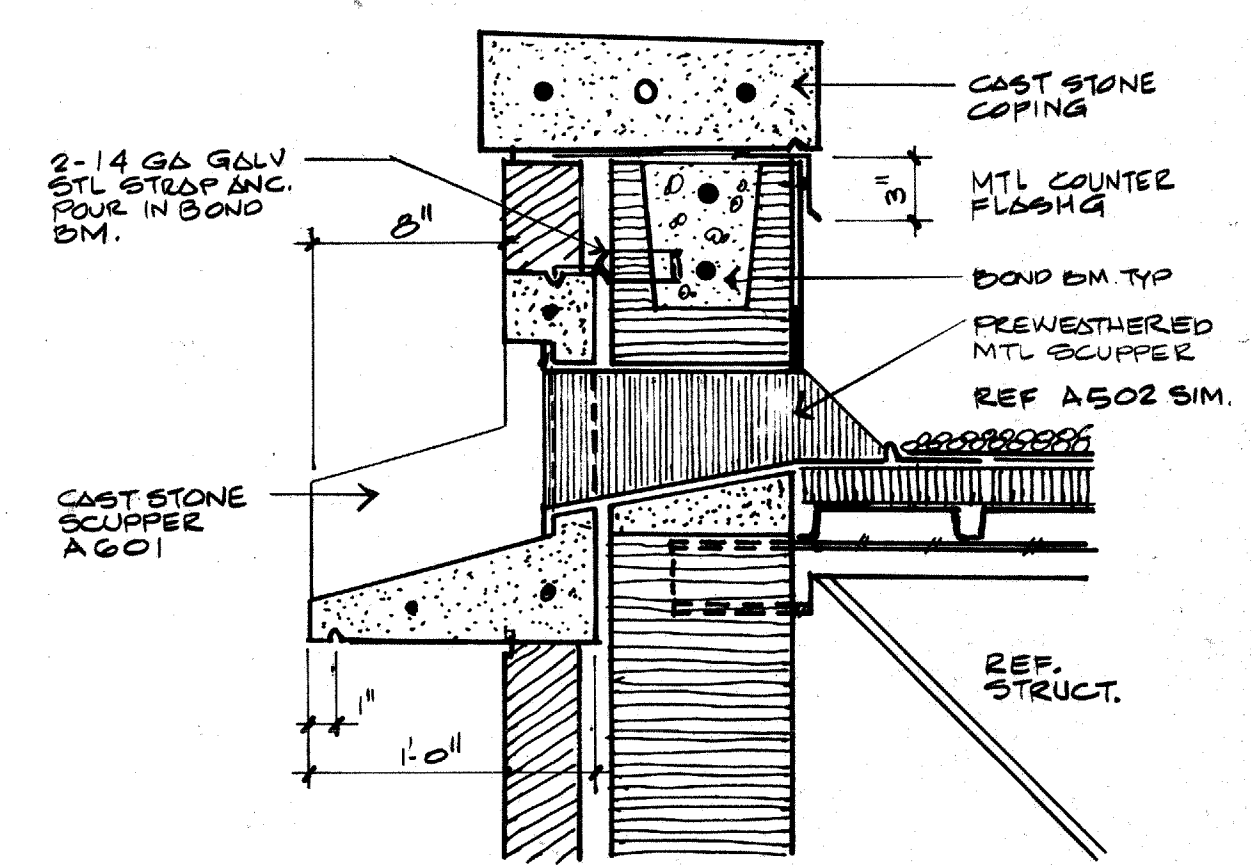
A620



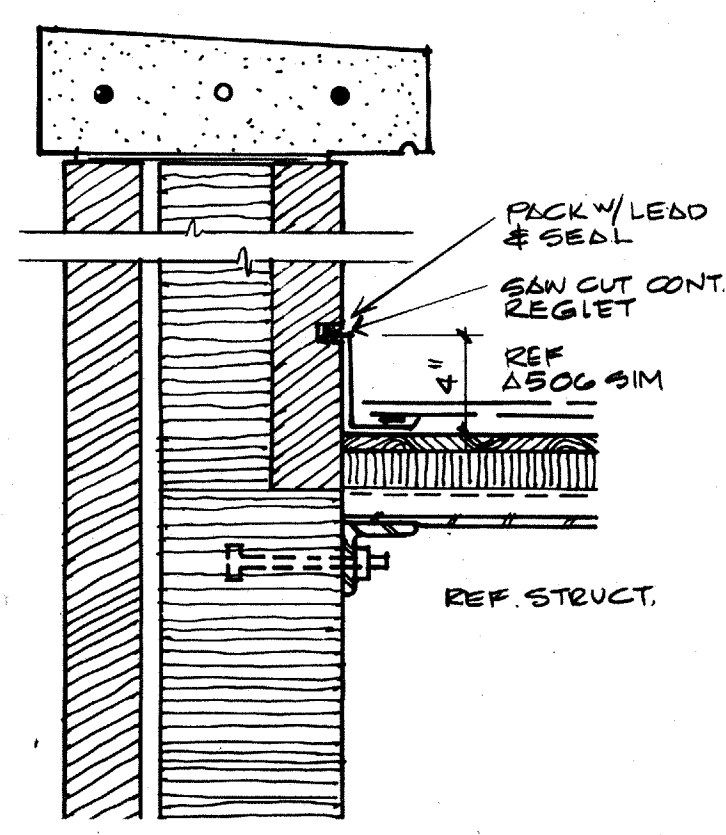
A607



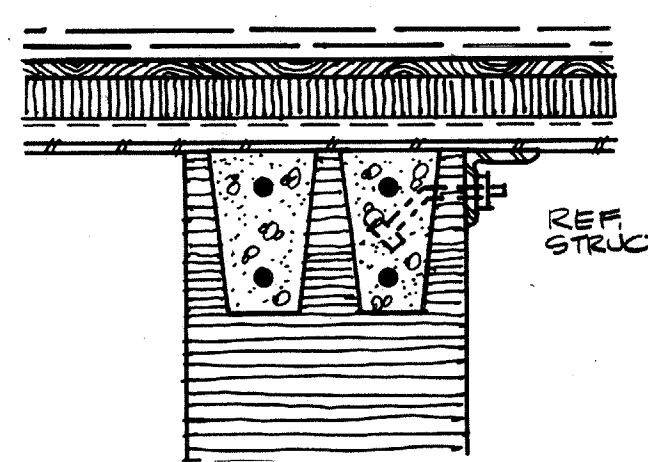
A601



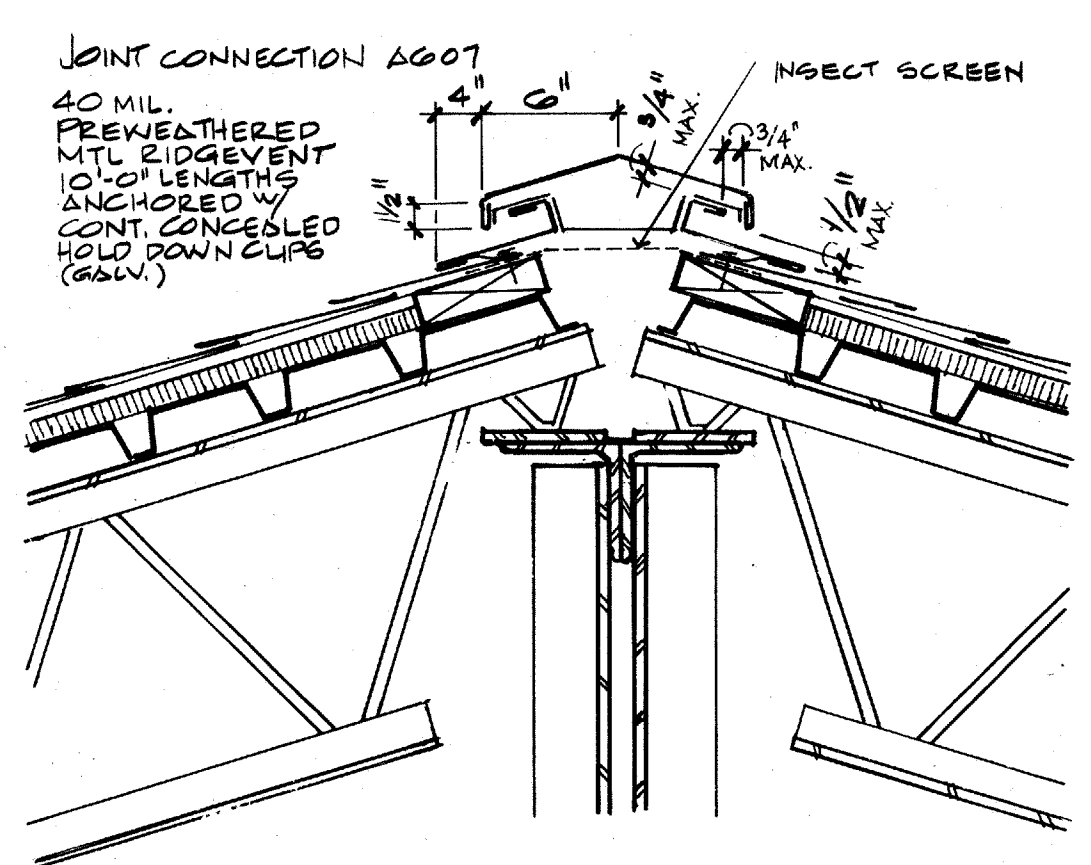
A602



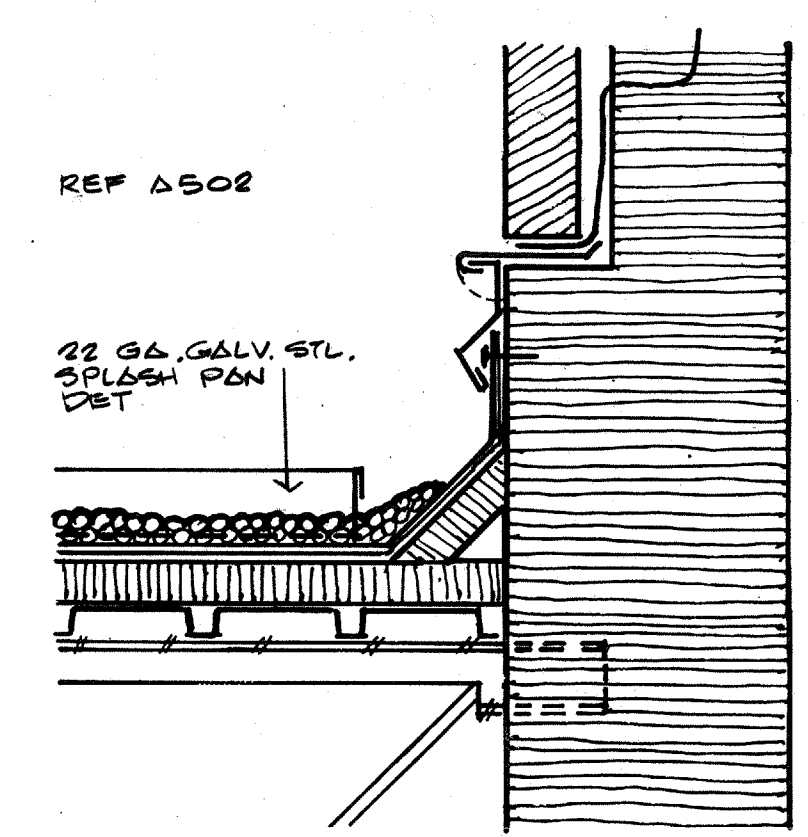
A614



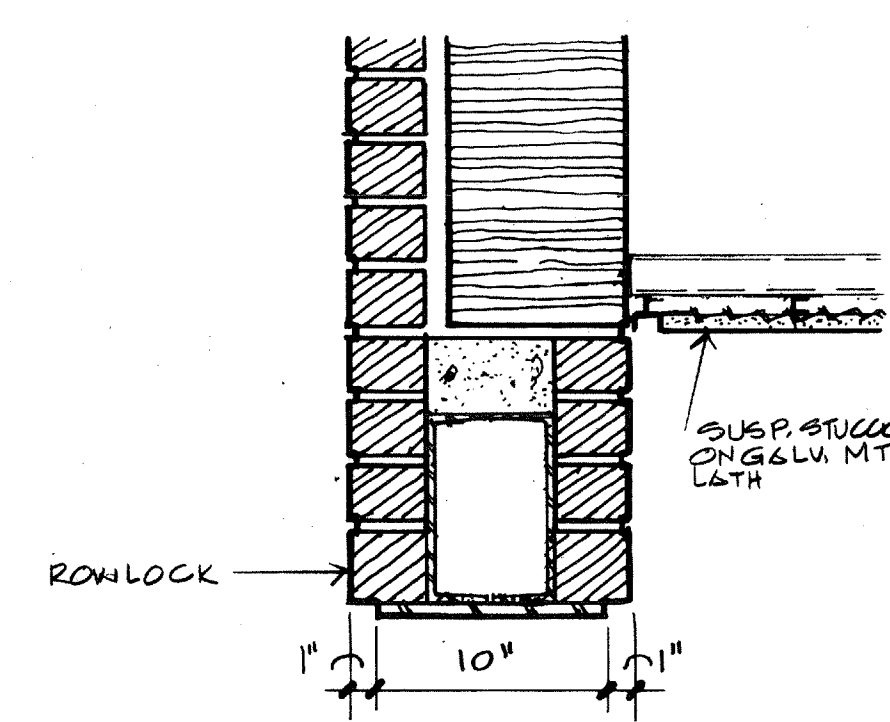
A612



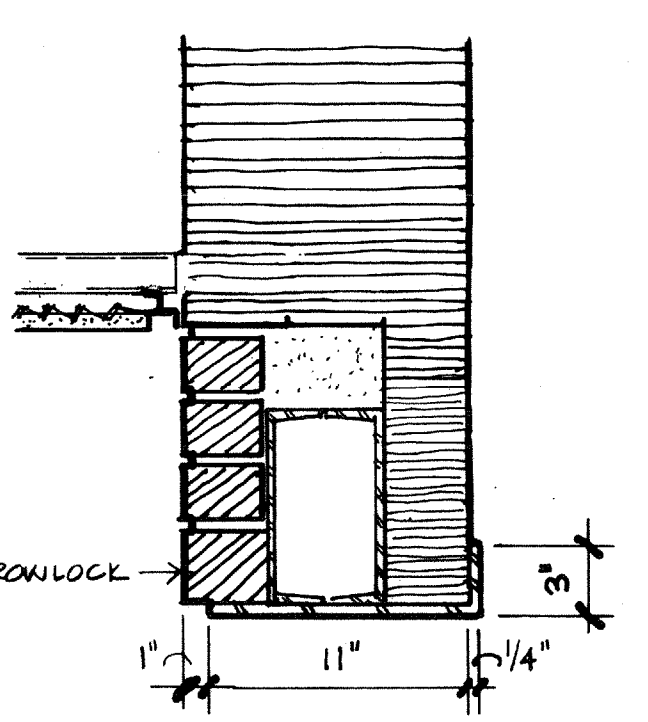
A608



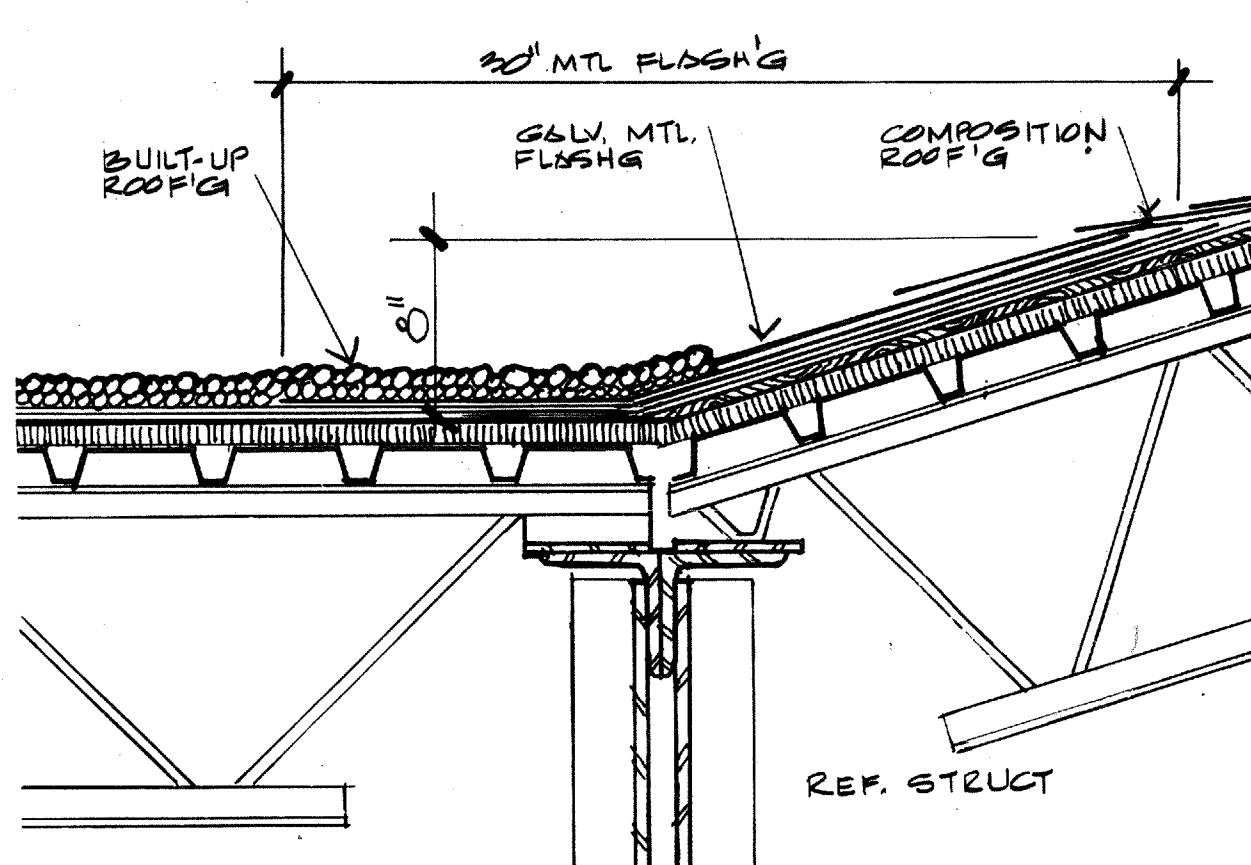
A603



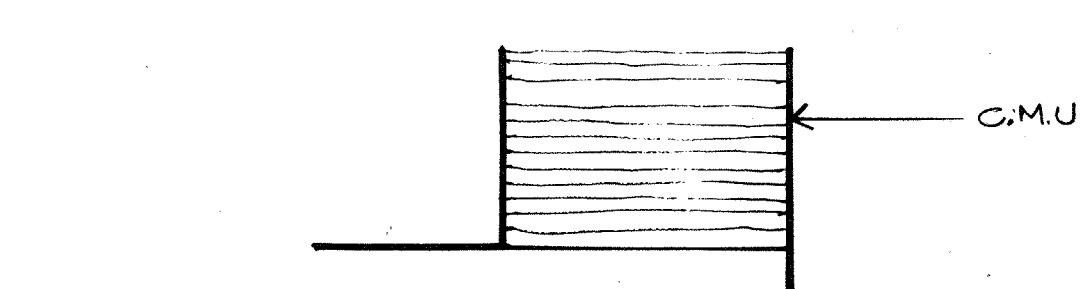
A615



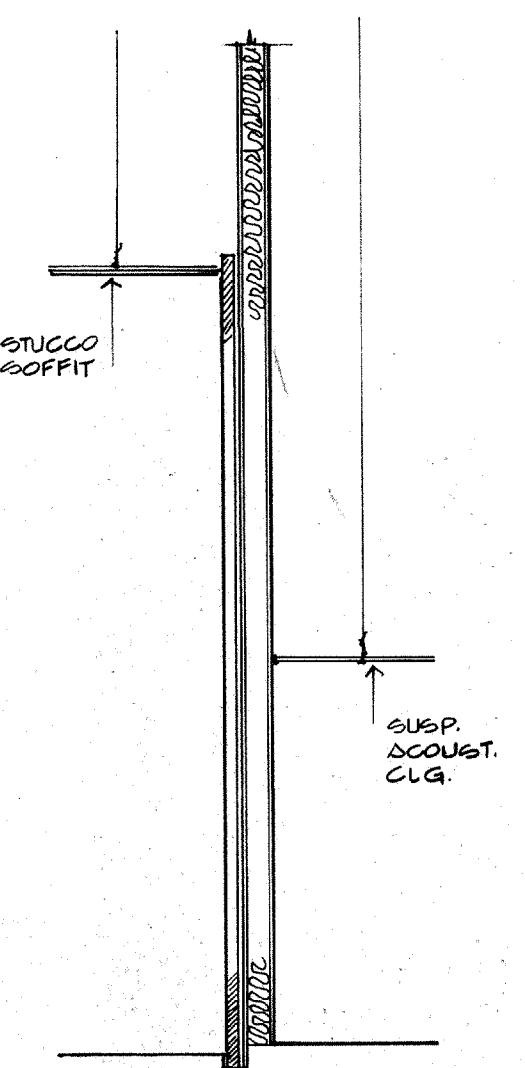
A613



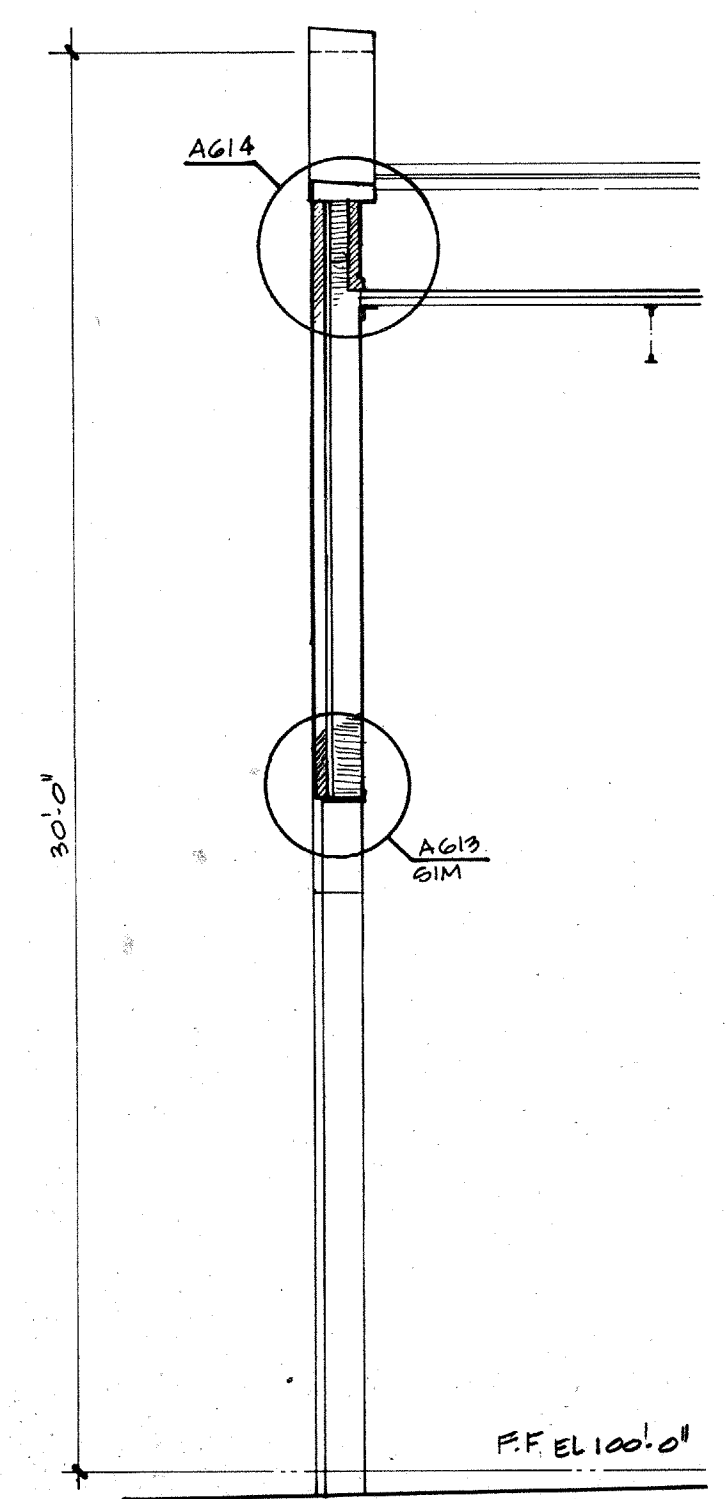
A609



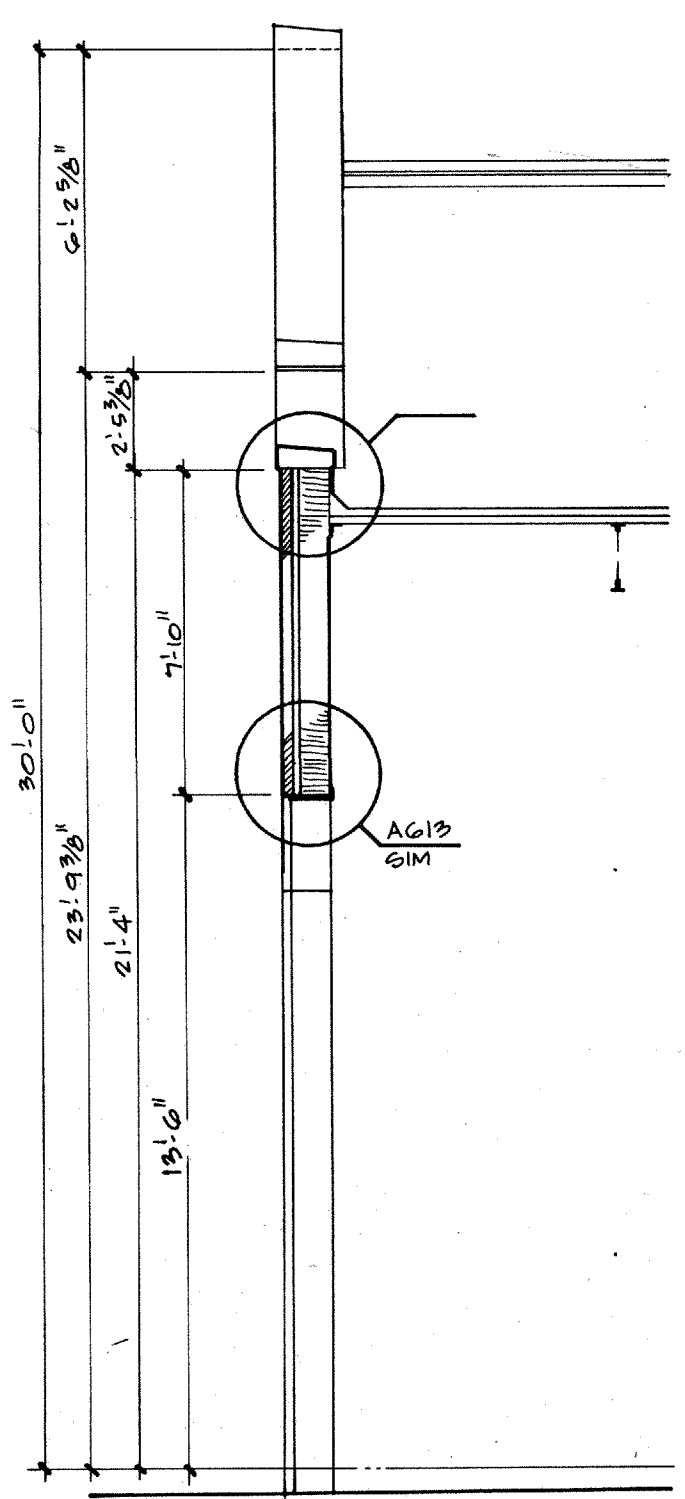
A604



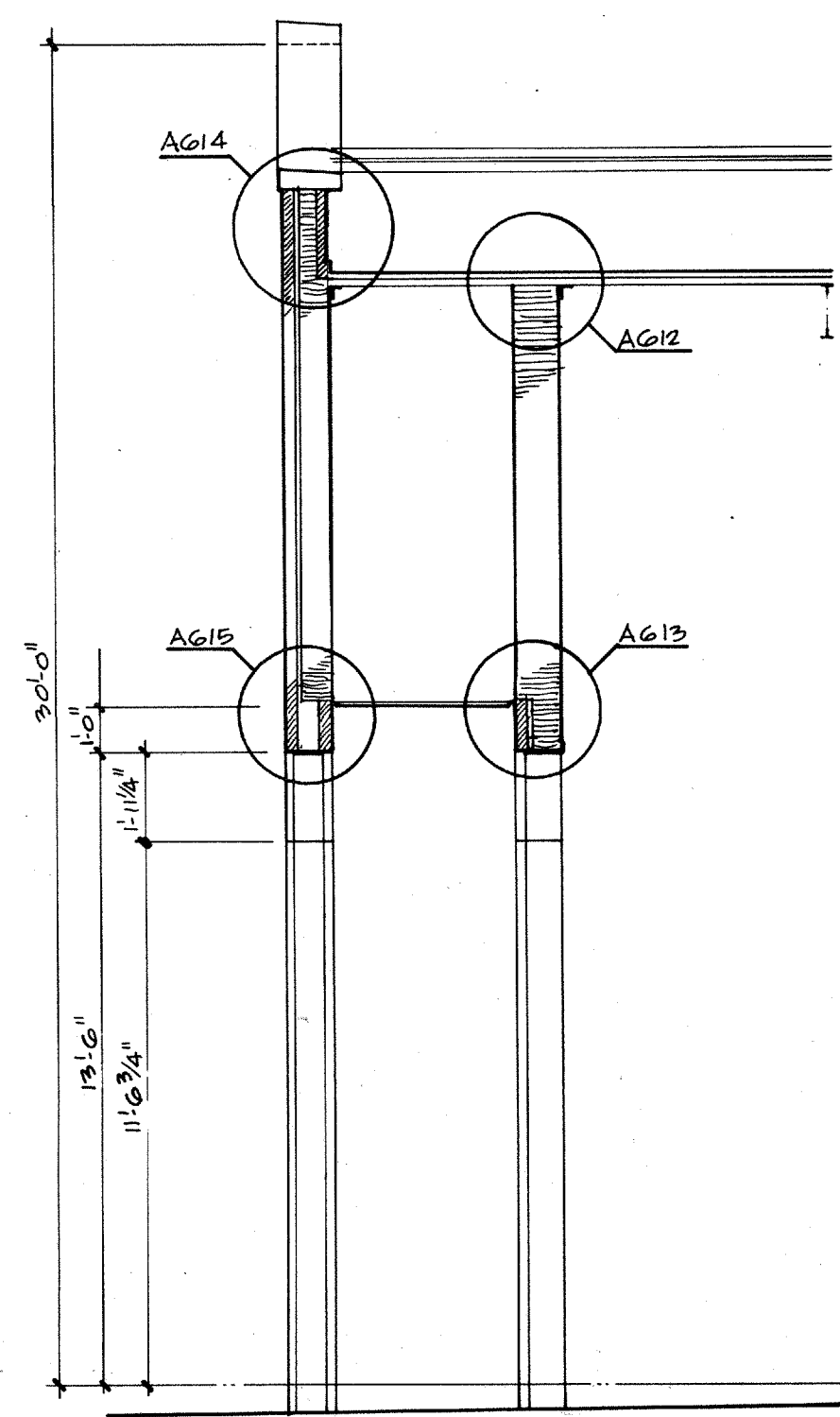
A621



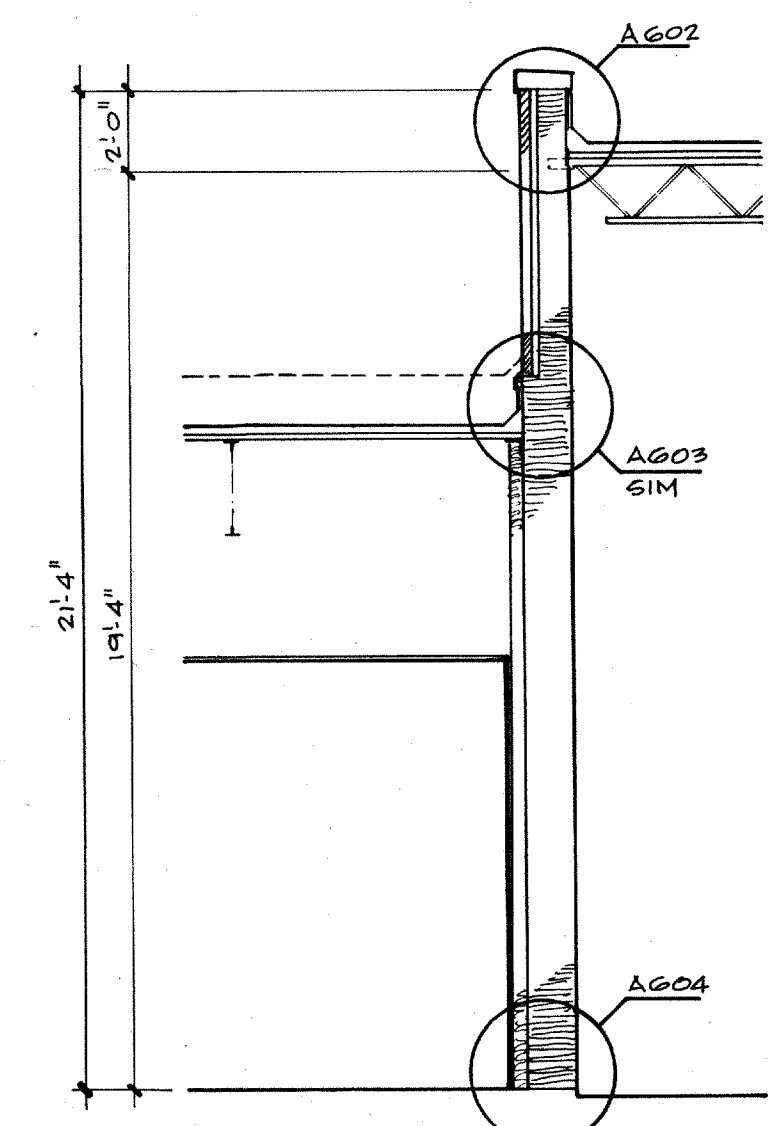
A618



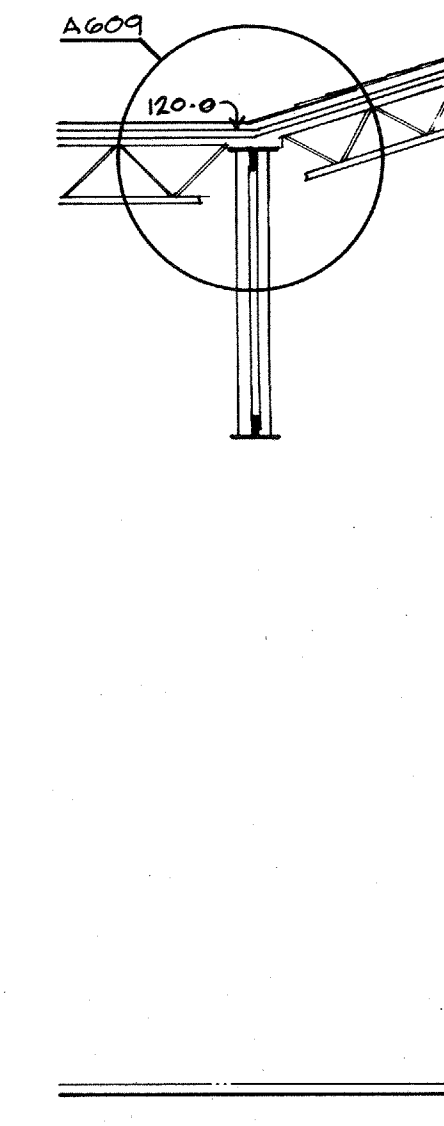
A617



A616



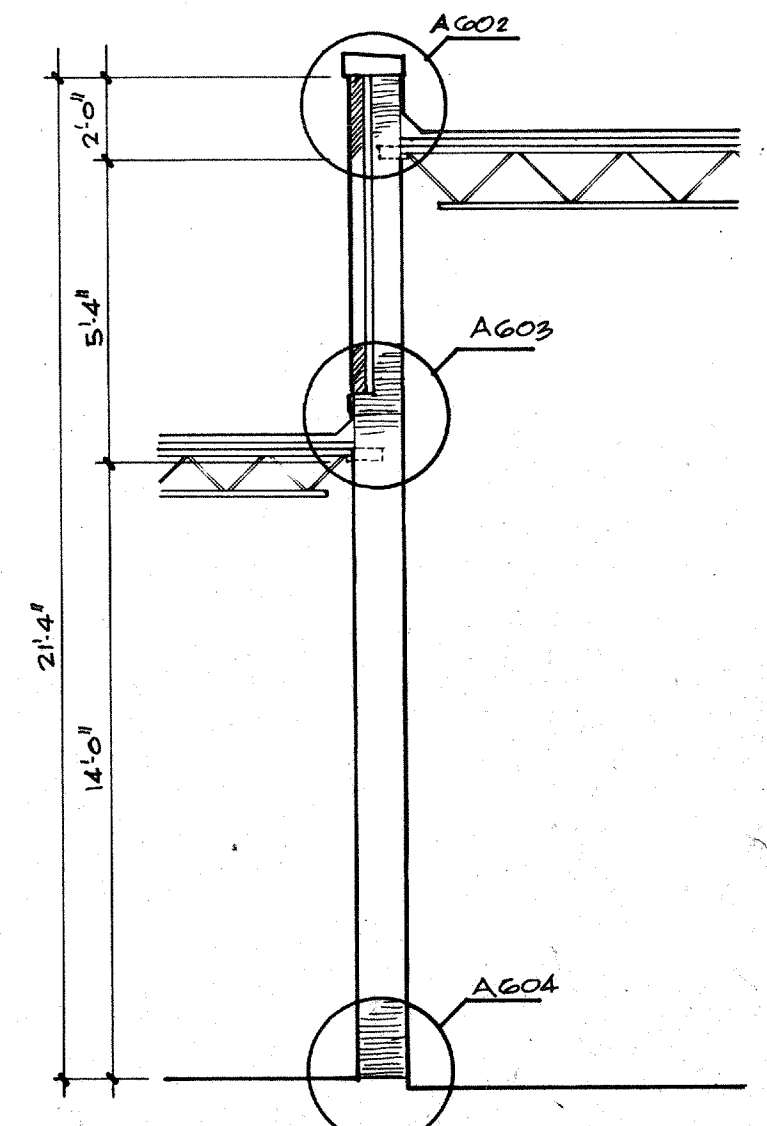
A611



A610



A606



A605

David A. Dillman #1062

DAVID A. DILLMAN ARCHITECTURE
 412 Westlake Drive • Suite 100
 Fort Worth, Texas 76102 • 817-335-9942

CITY OF ADDISON FIRE DEPARTMENT
 CENTRAL OFFICES & FIRE STATION No 1
 AIRPORT PARKWAY & ADDISON ROAD, ADDISON, TX.

WALL SECTIONS DETAIL

PROJECT No 82.00 SHEET No 1
 DATE 01/25/82

A6