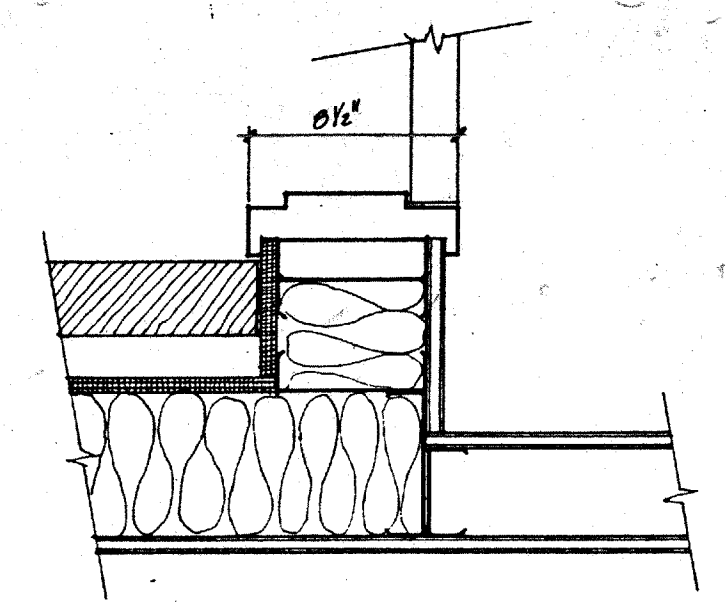
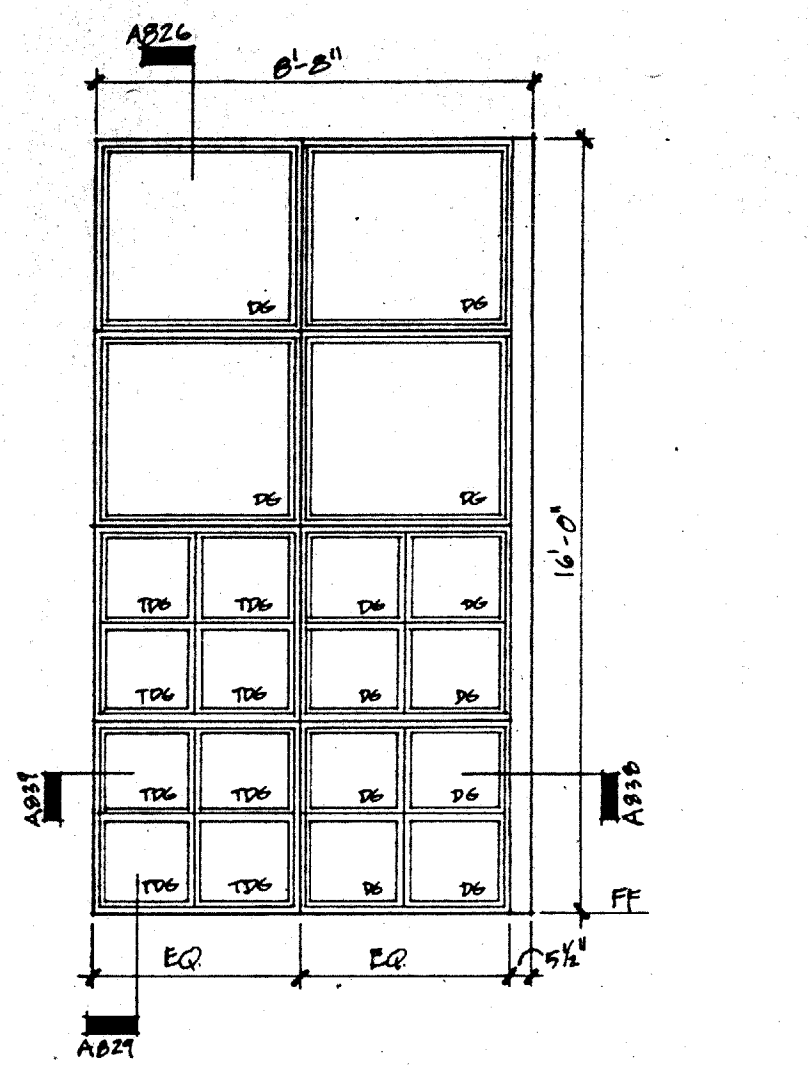
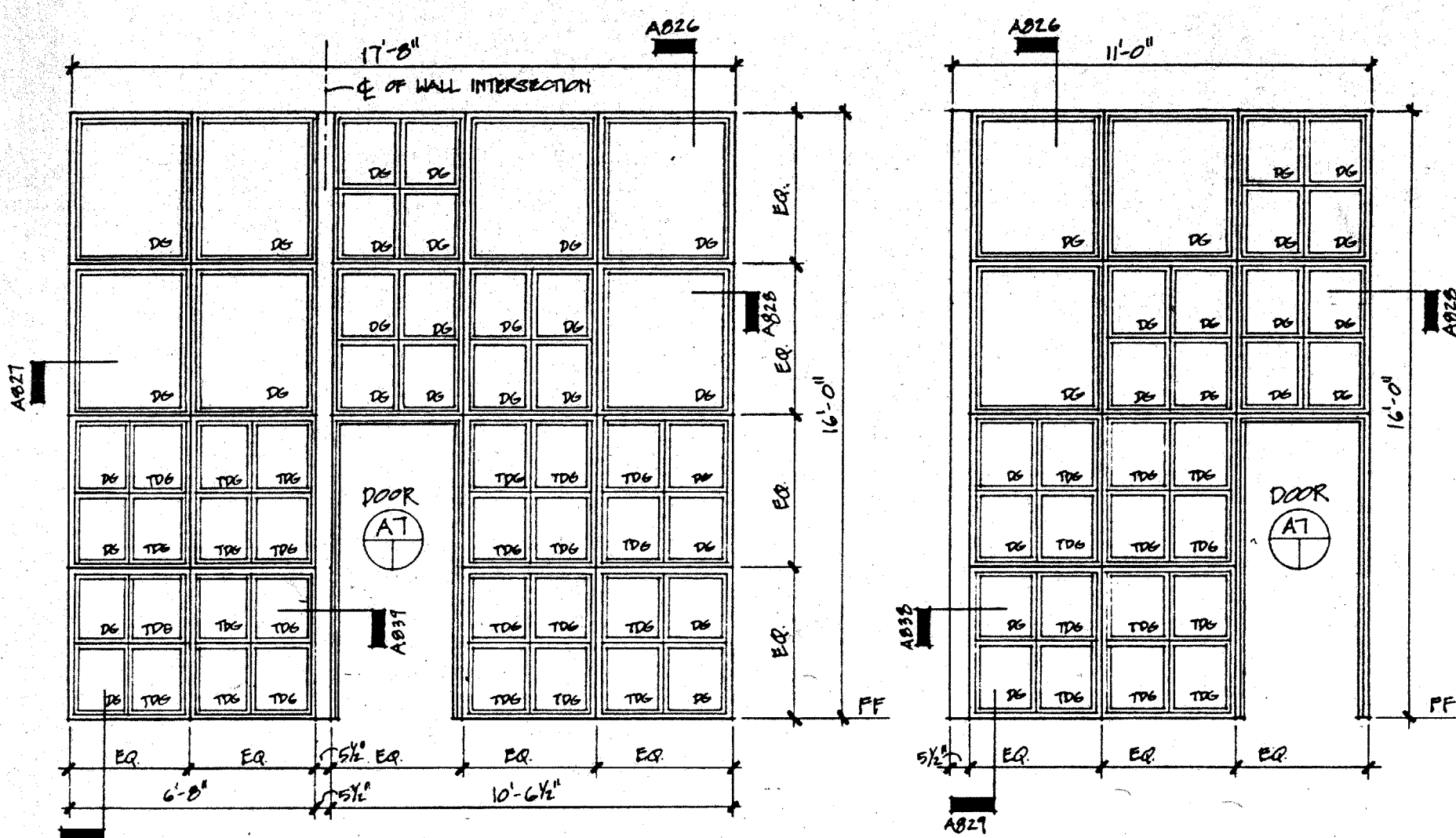
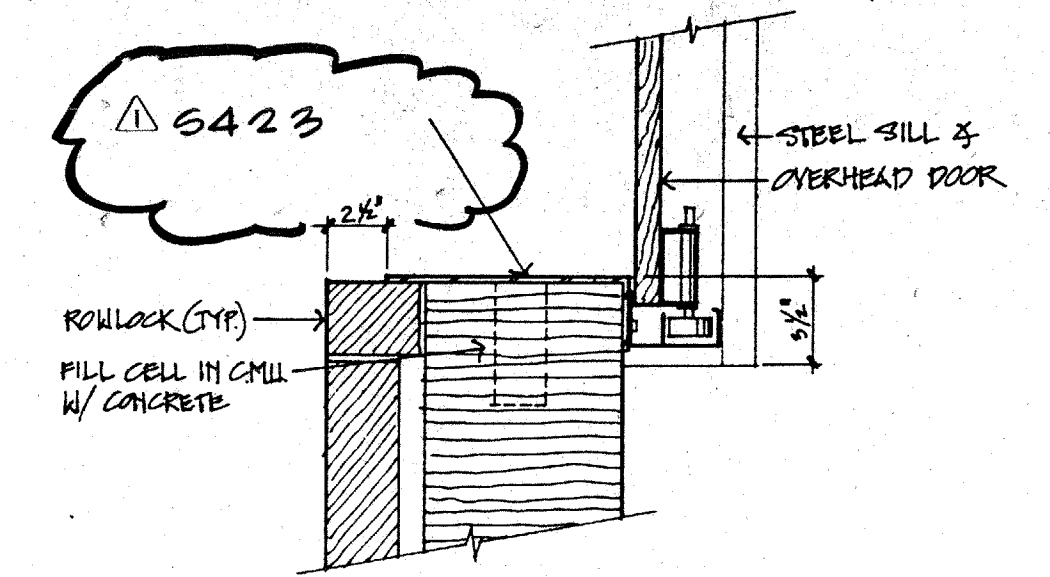


WINDOW ELEVATIONS

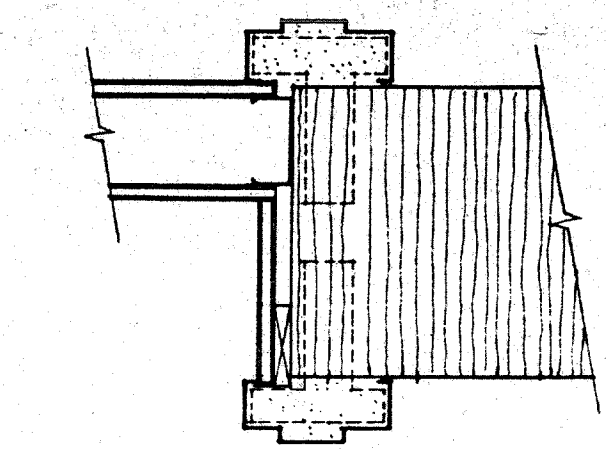
7-16-82 ADDENDUM NO. 1



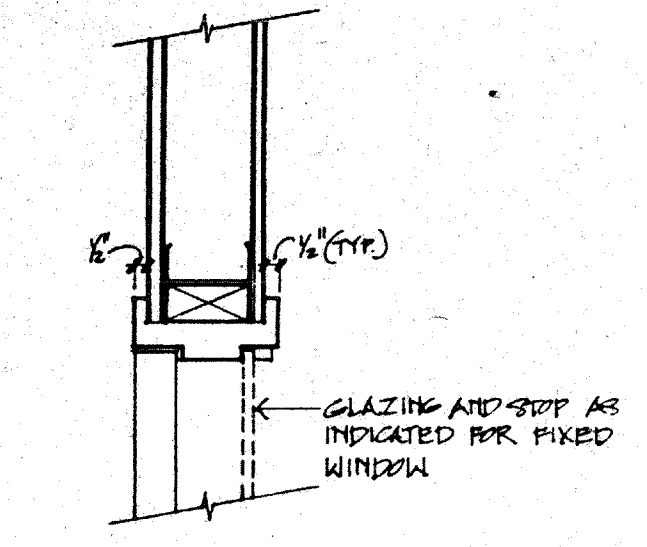
A819 JAMB



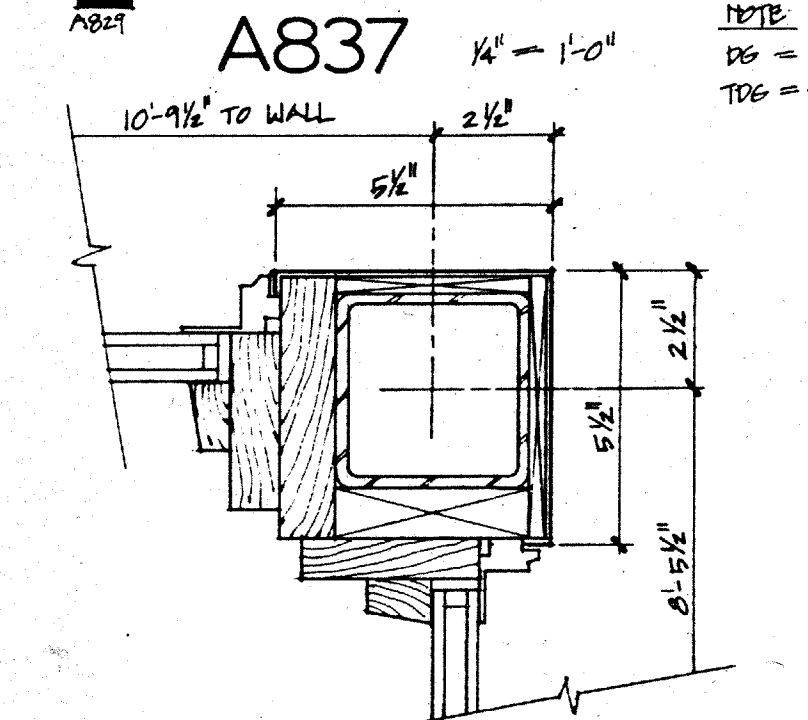
A813 JAMB



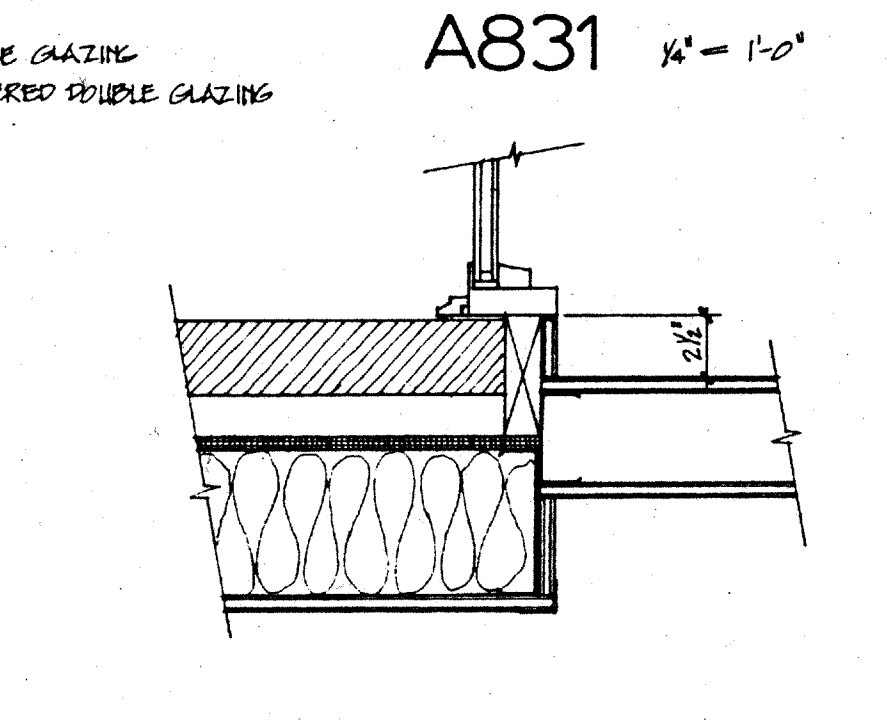
A807



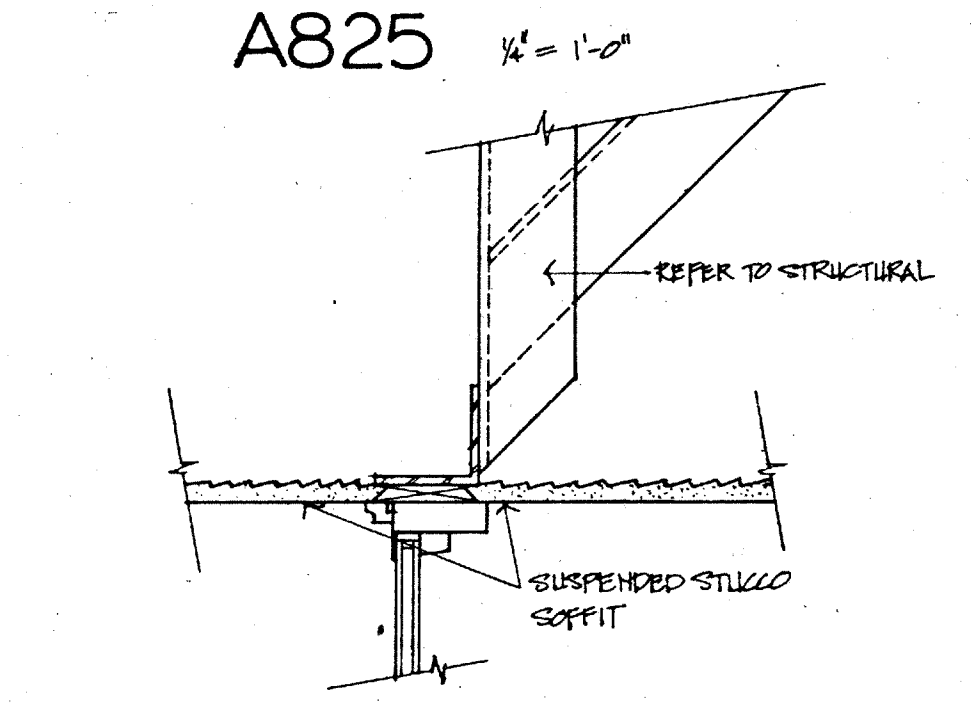
A801



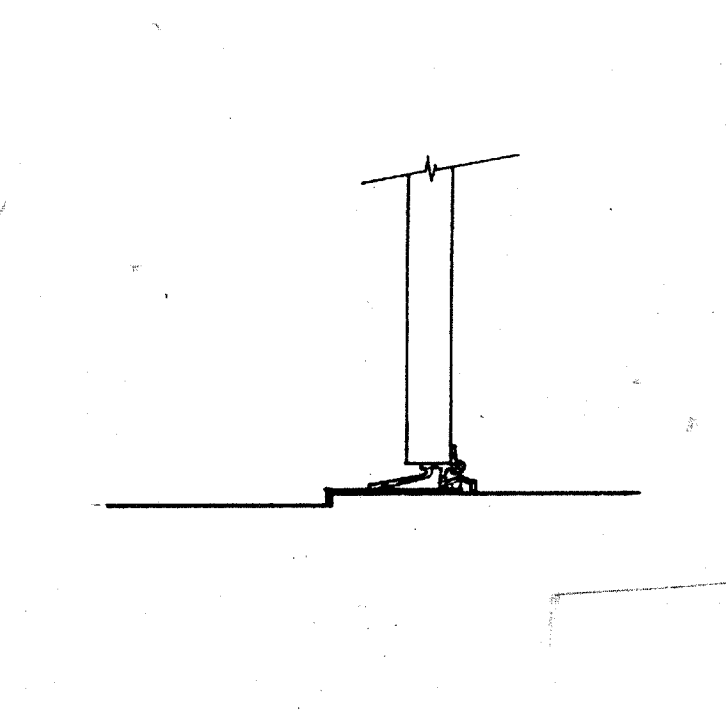
A838



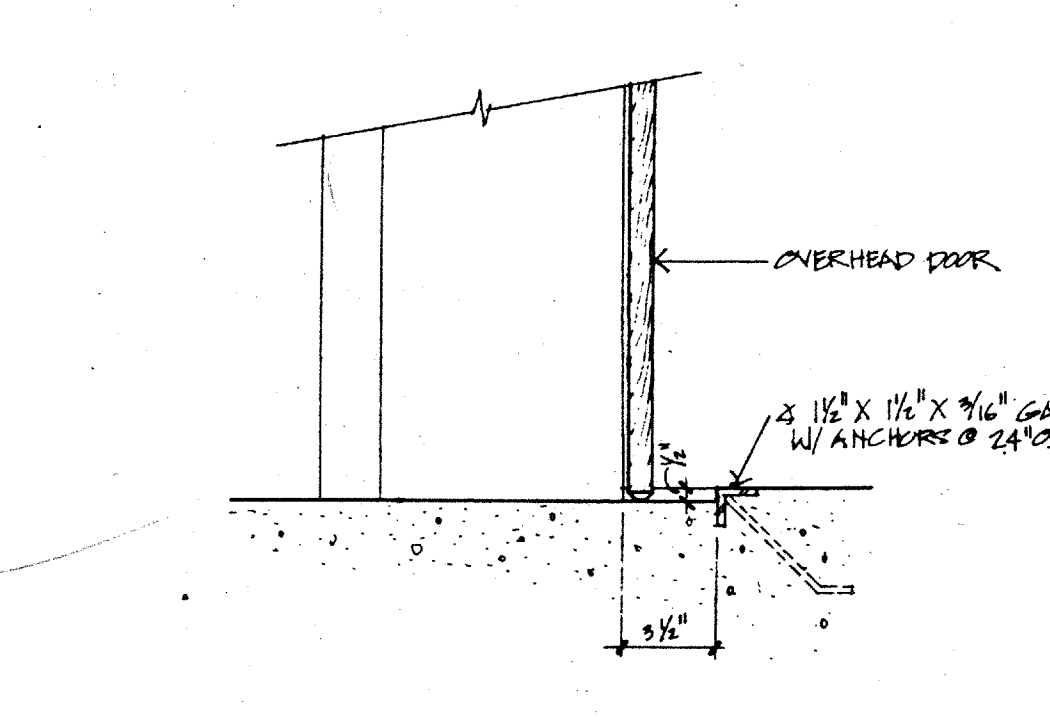
A832 JAMB



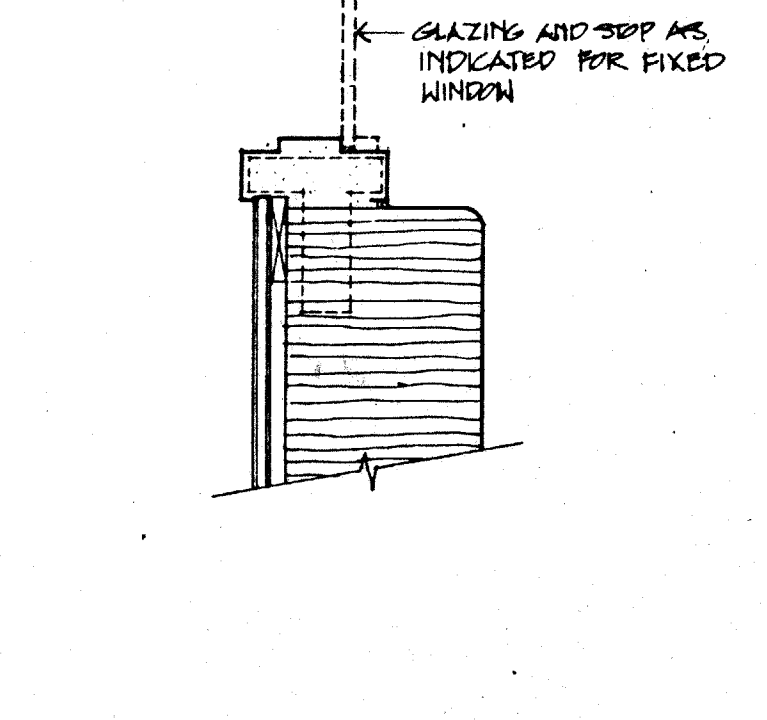
A826 HEAD



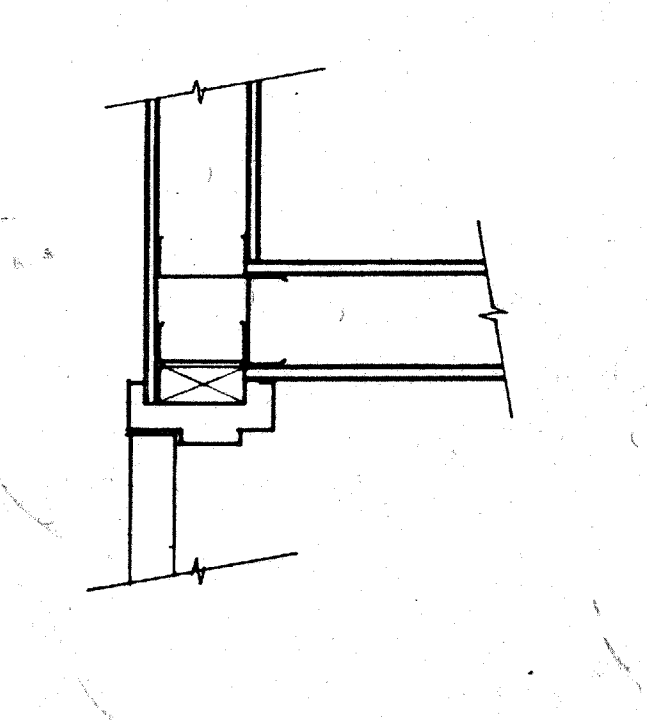
A820 SILL



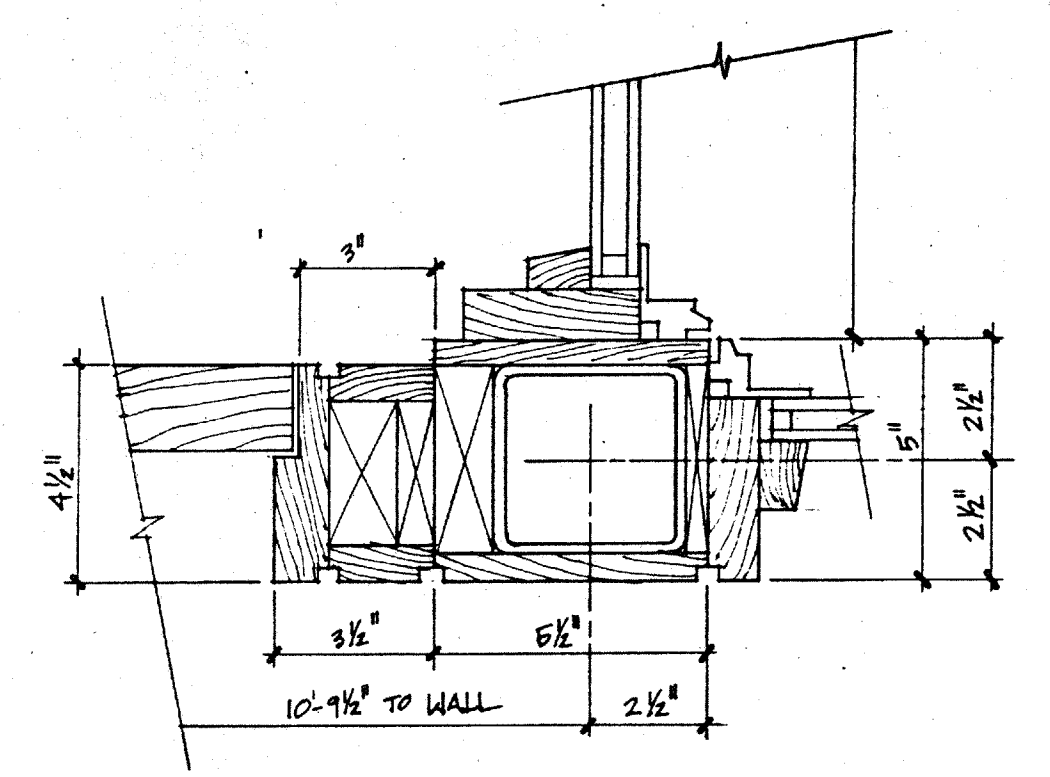
A814 SILL



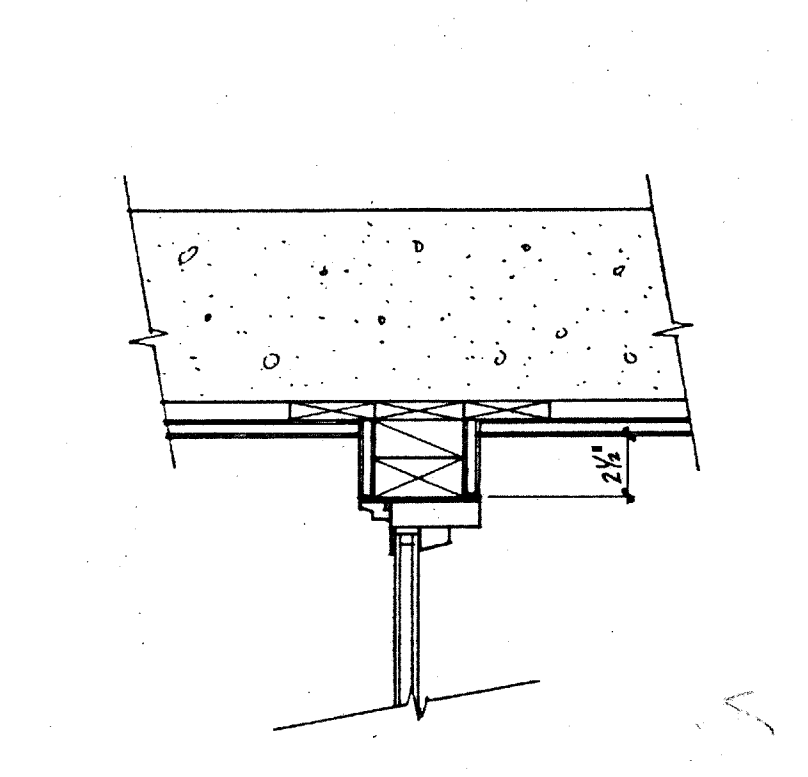
A808 JAMB (HEAD)



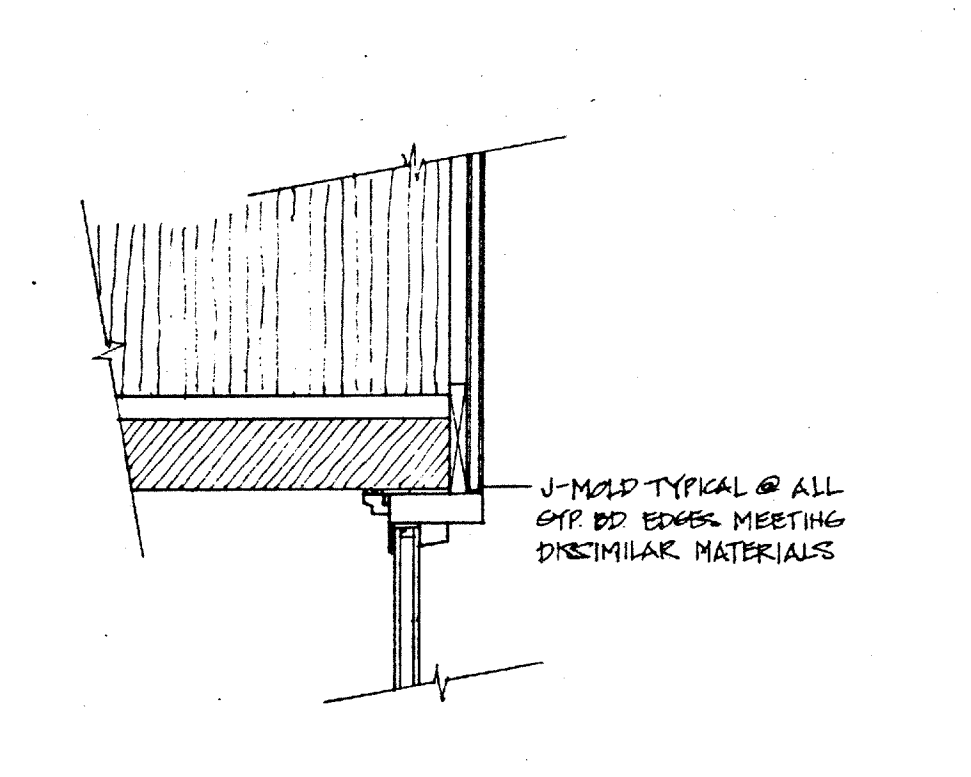
A802



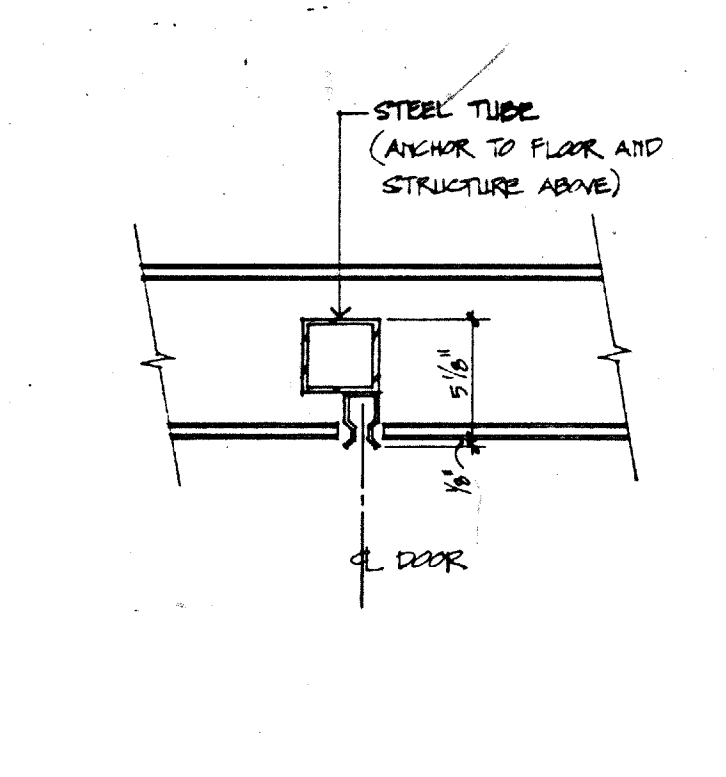
A839



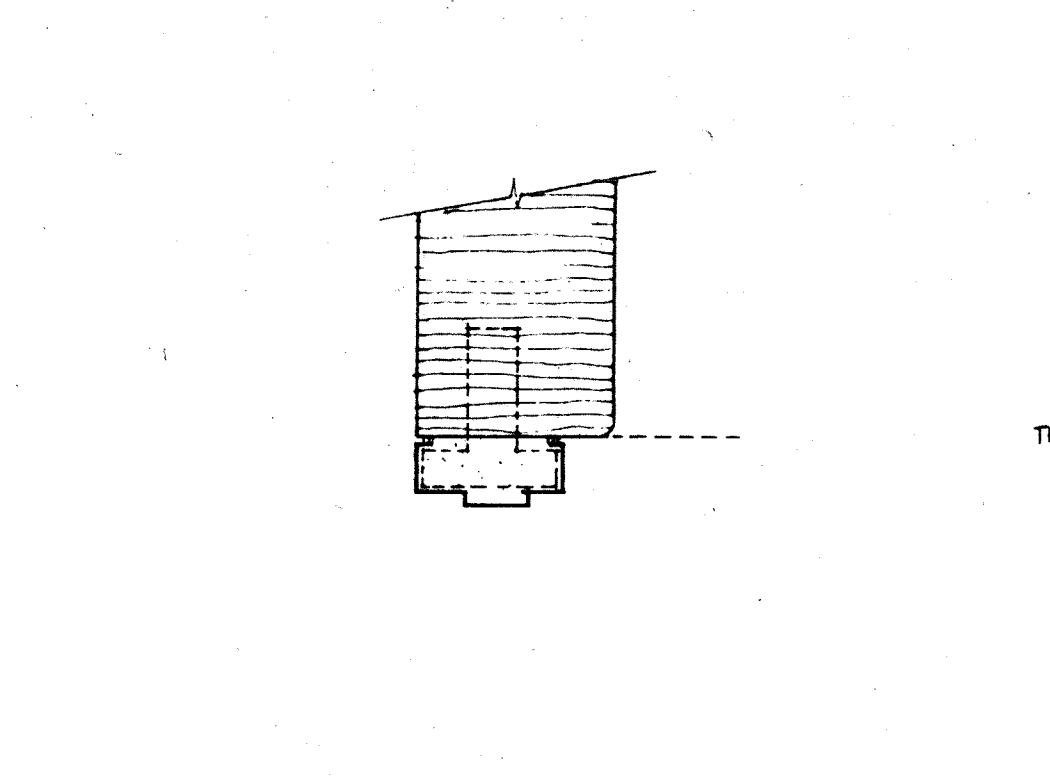
A833 JAMB



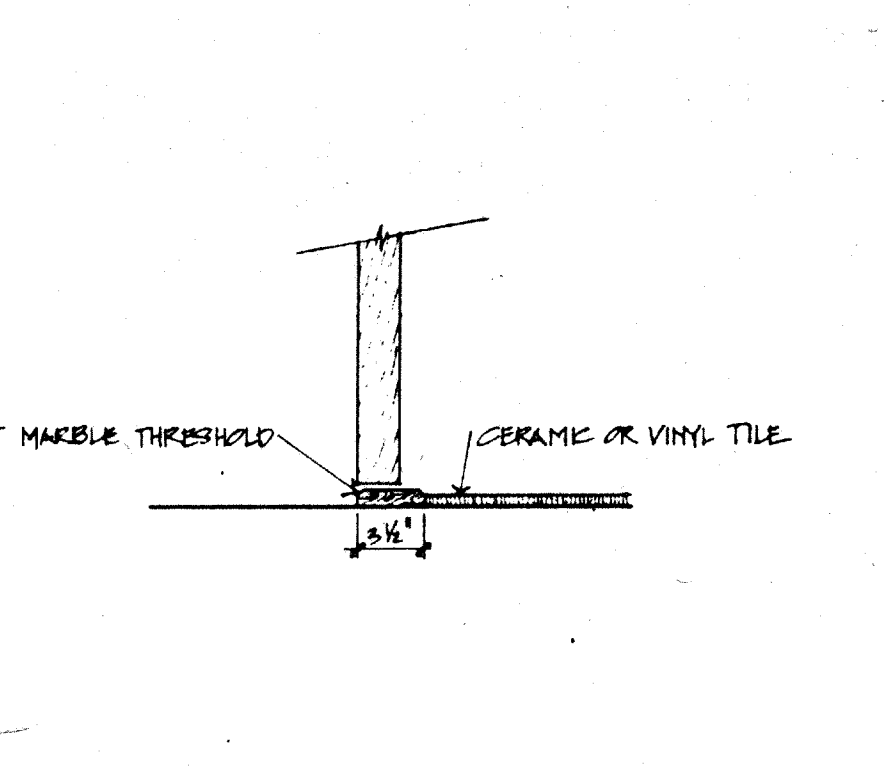
A827 JAMB



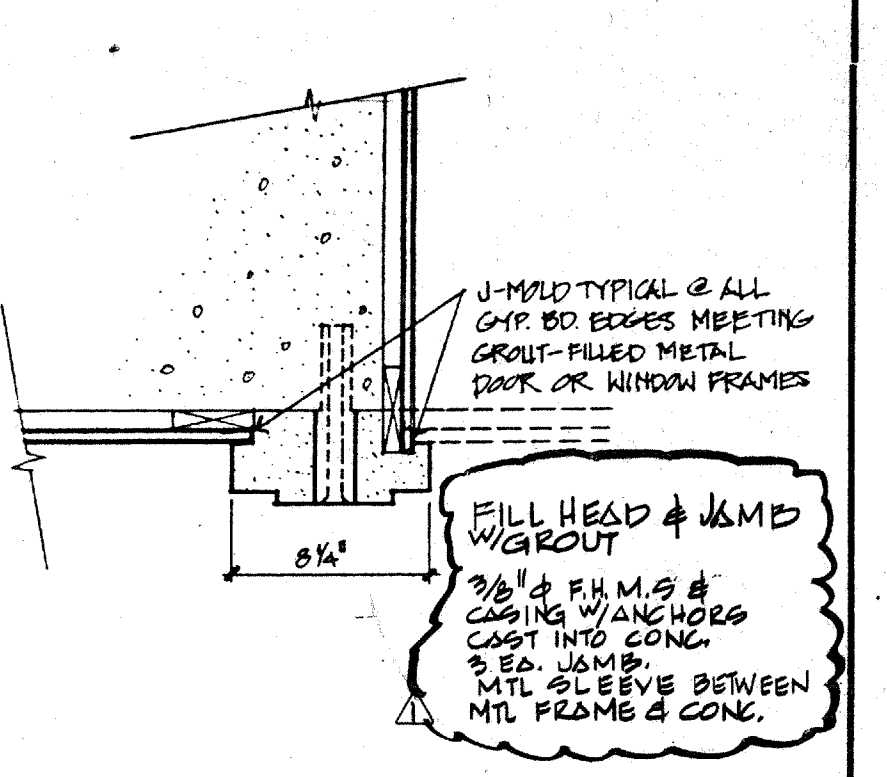
A821 JAMB



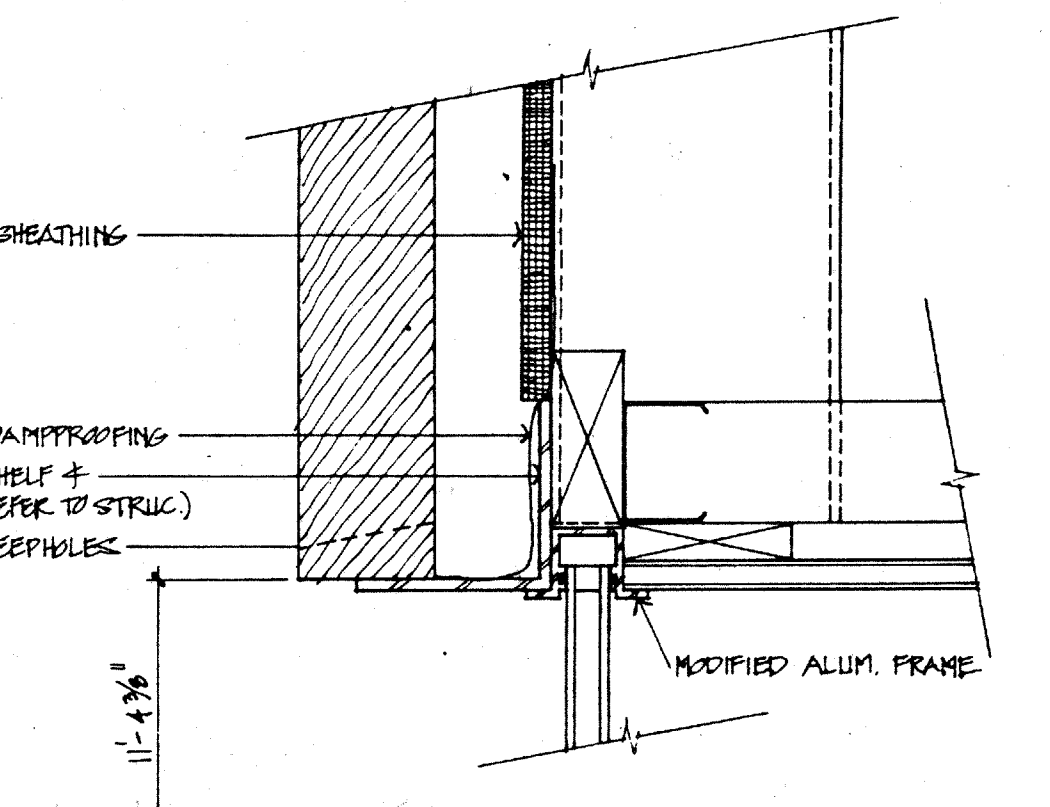
A815 JAMB (HEAD)



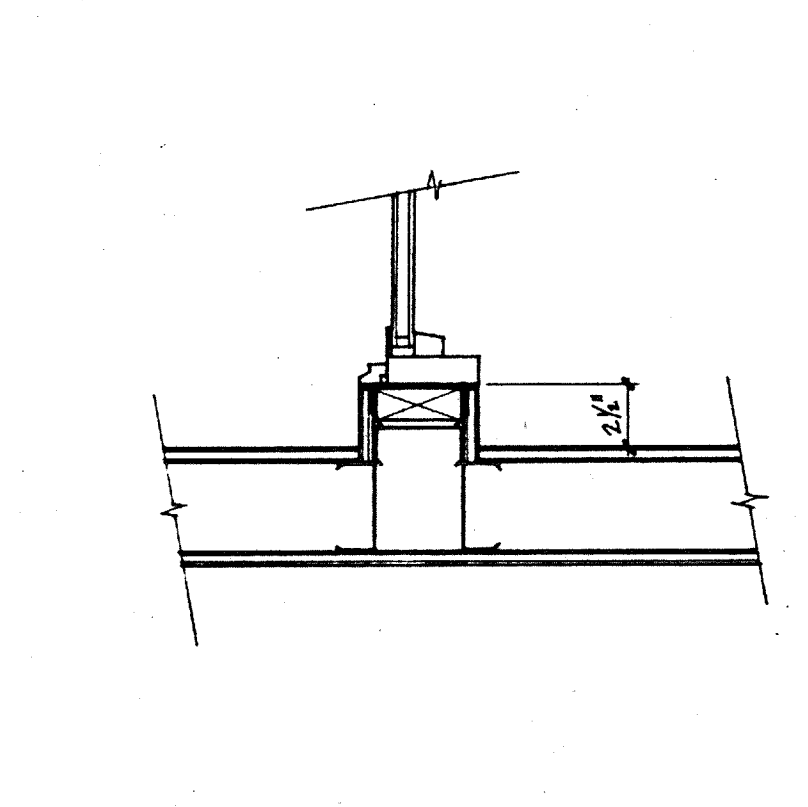
A809 SILL



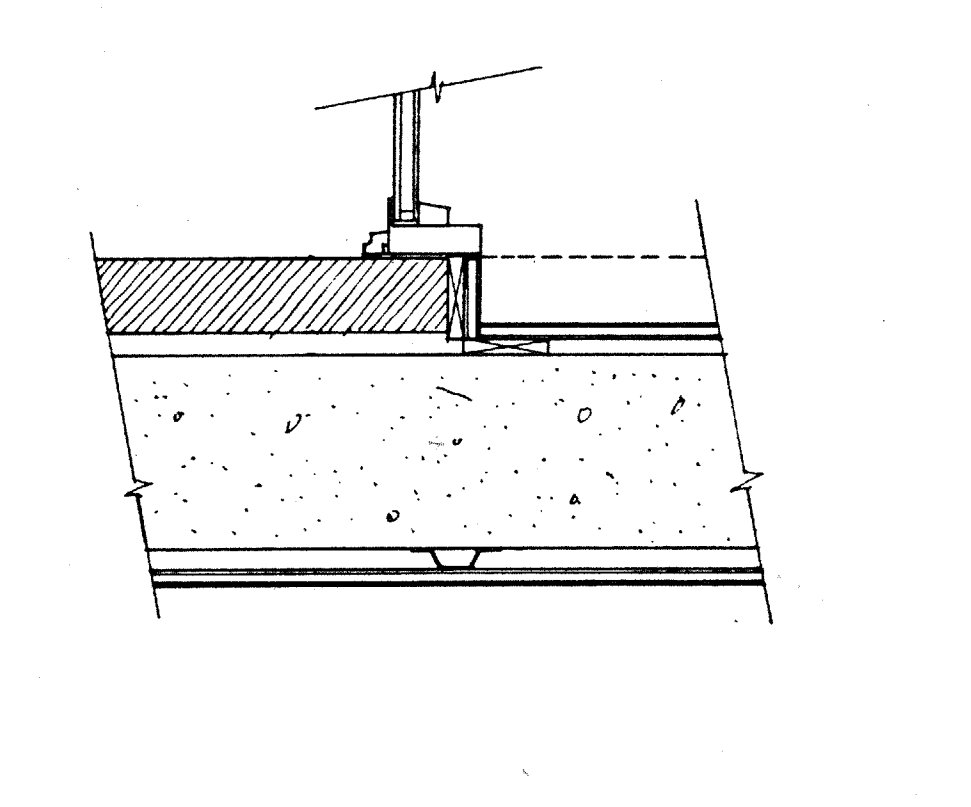
A803 JAMB



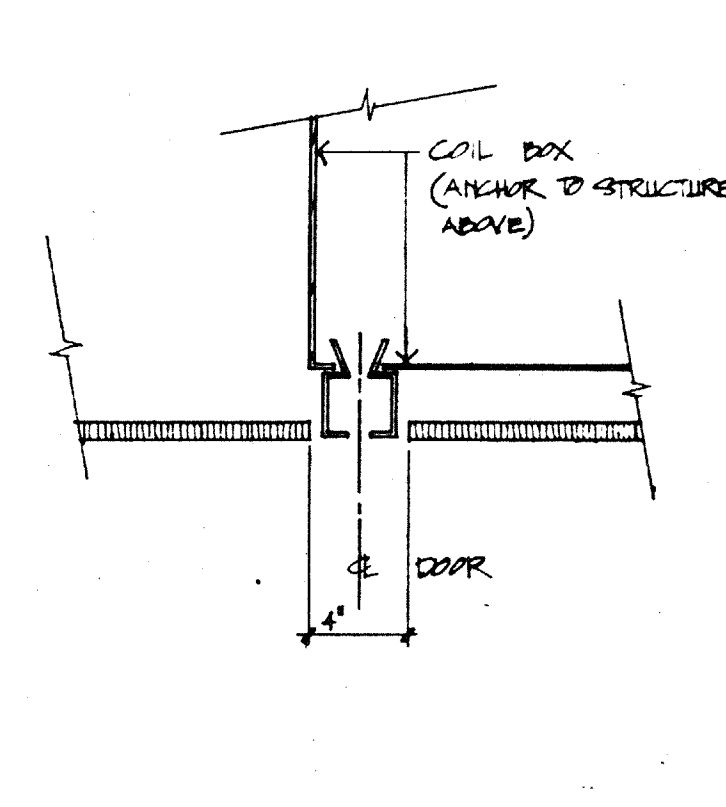
A840



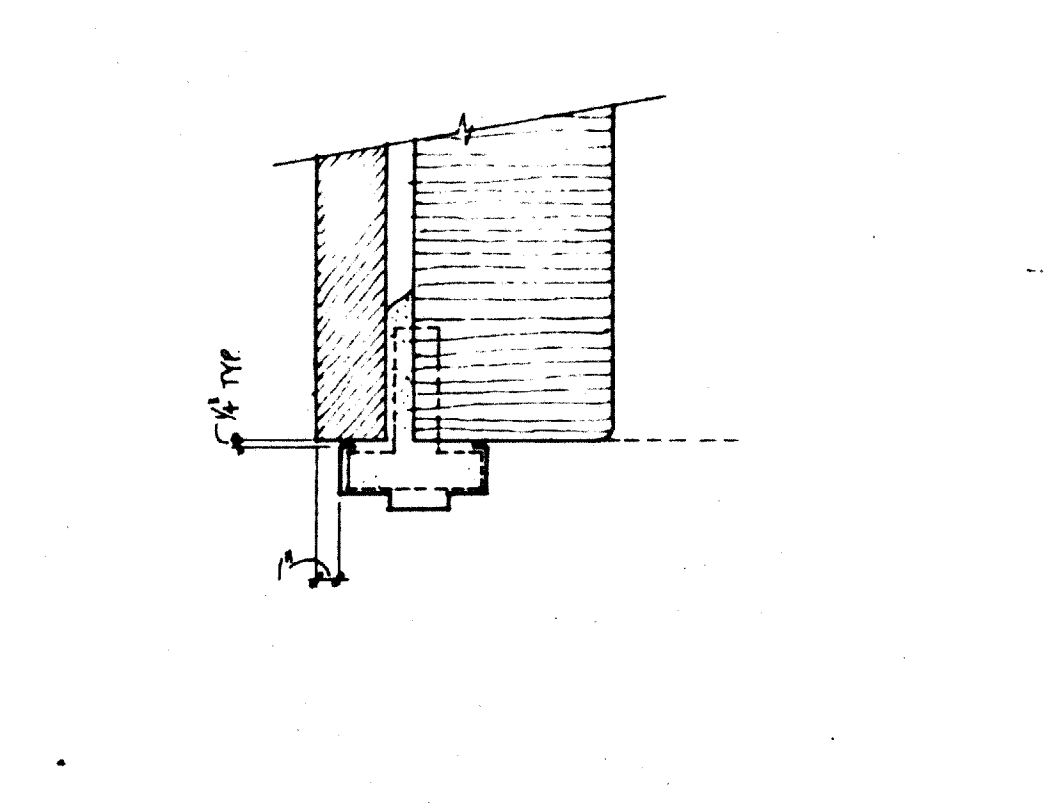
A834 JAMB



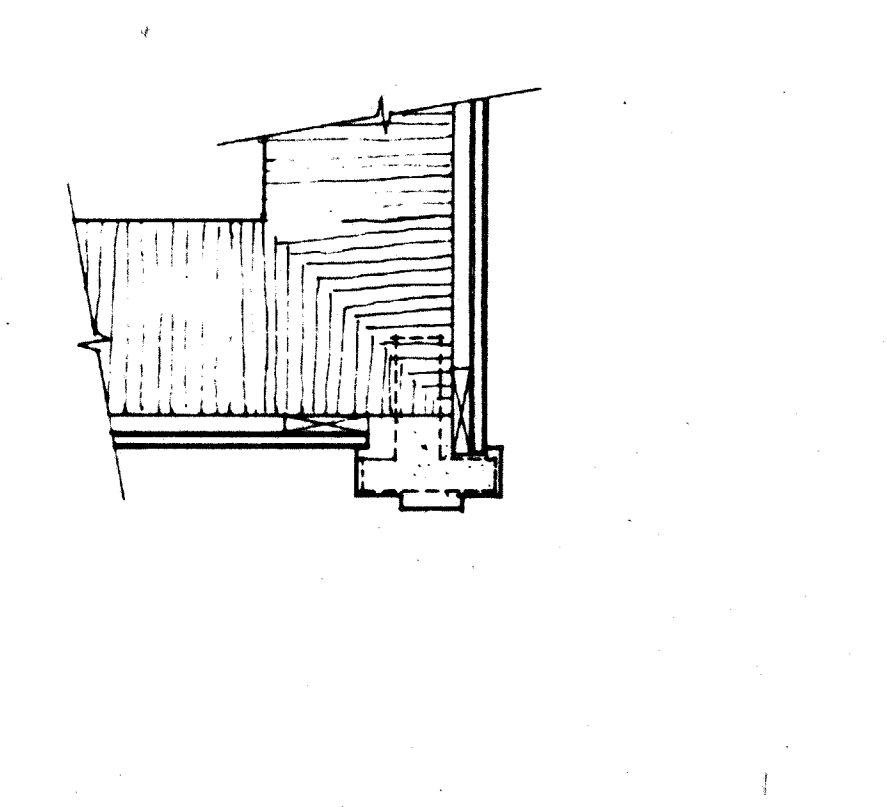
A828 JAMB



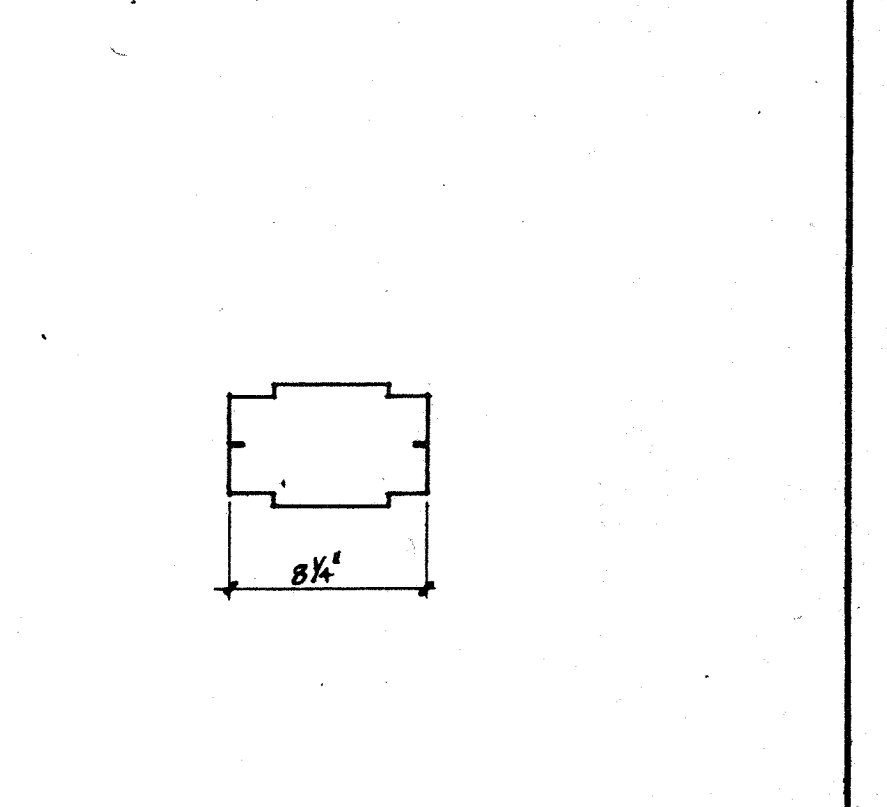
A822 HEAD



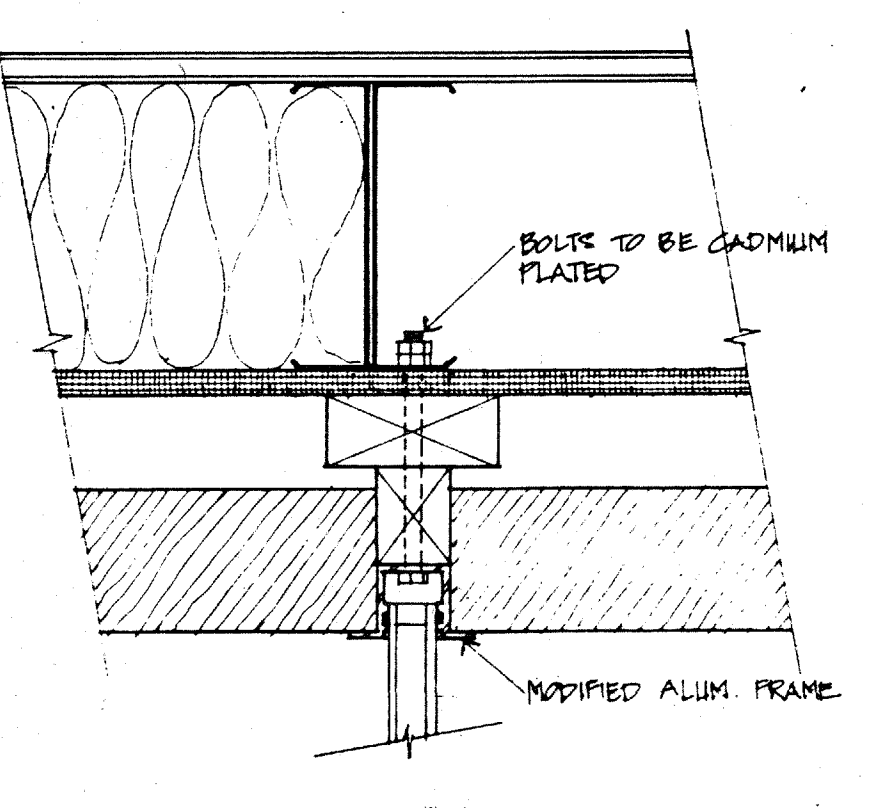
A816 JAMB



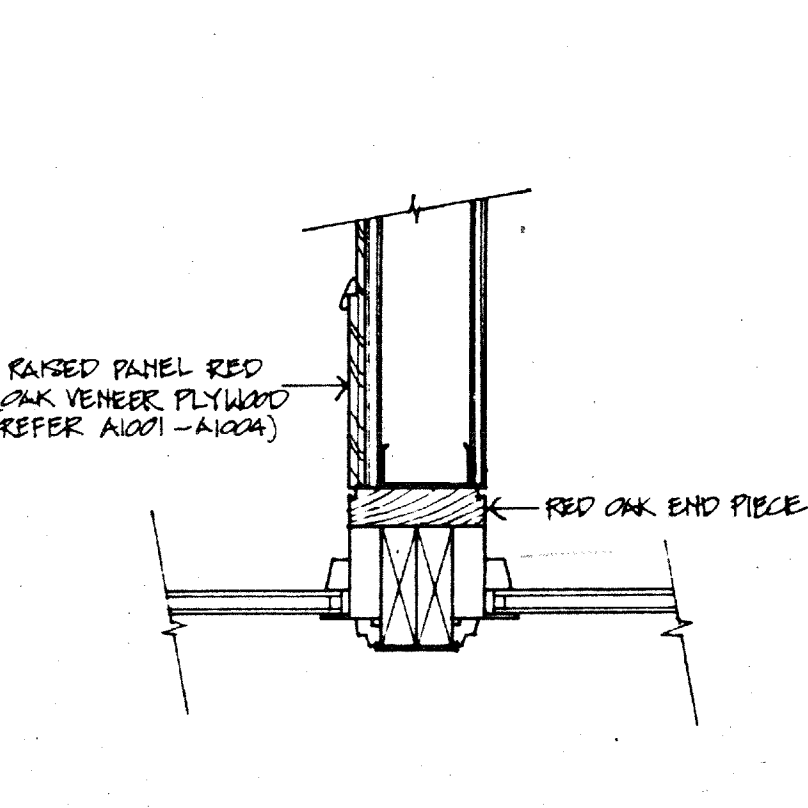
A810



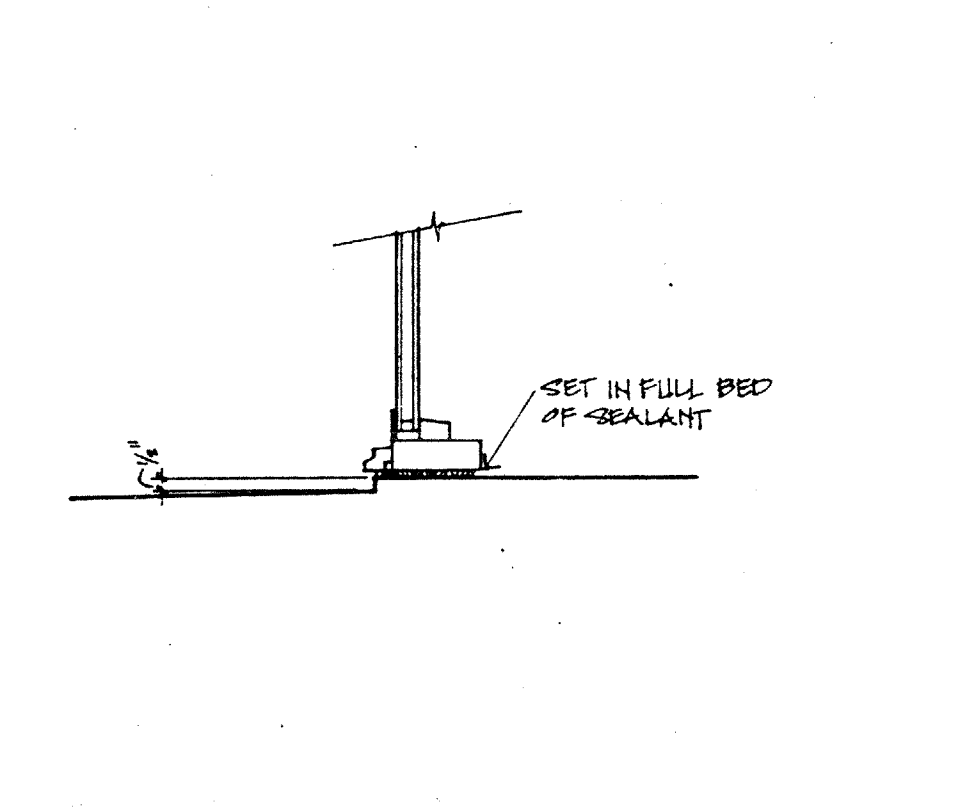
A804 JAMB



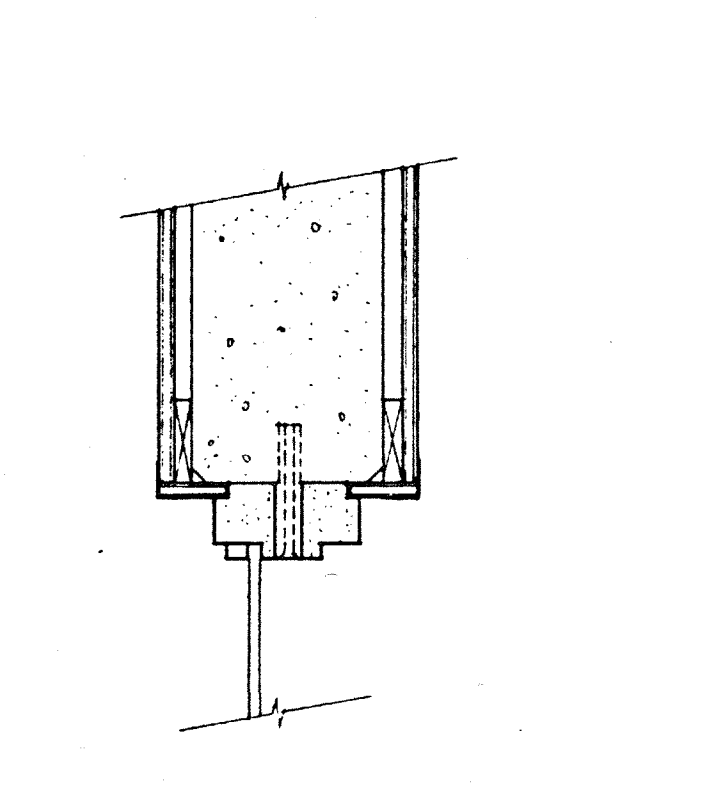
A841



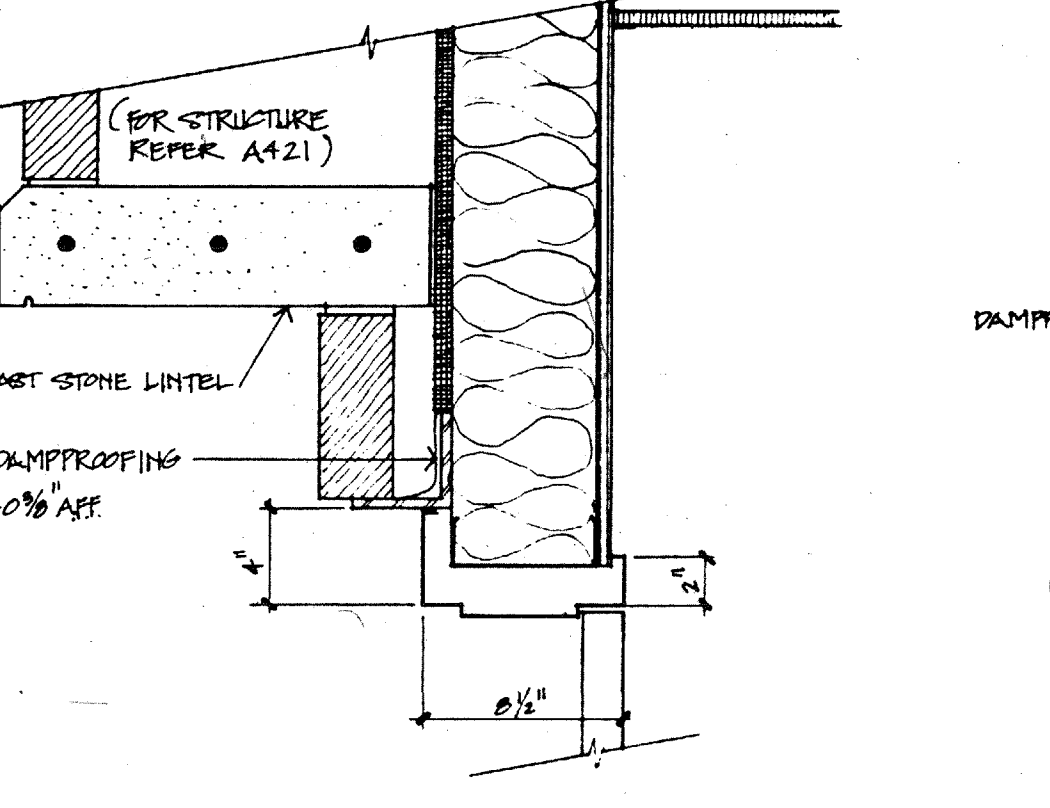
A835 JAMB



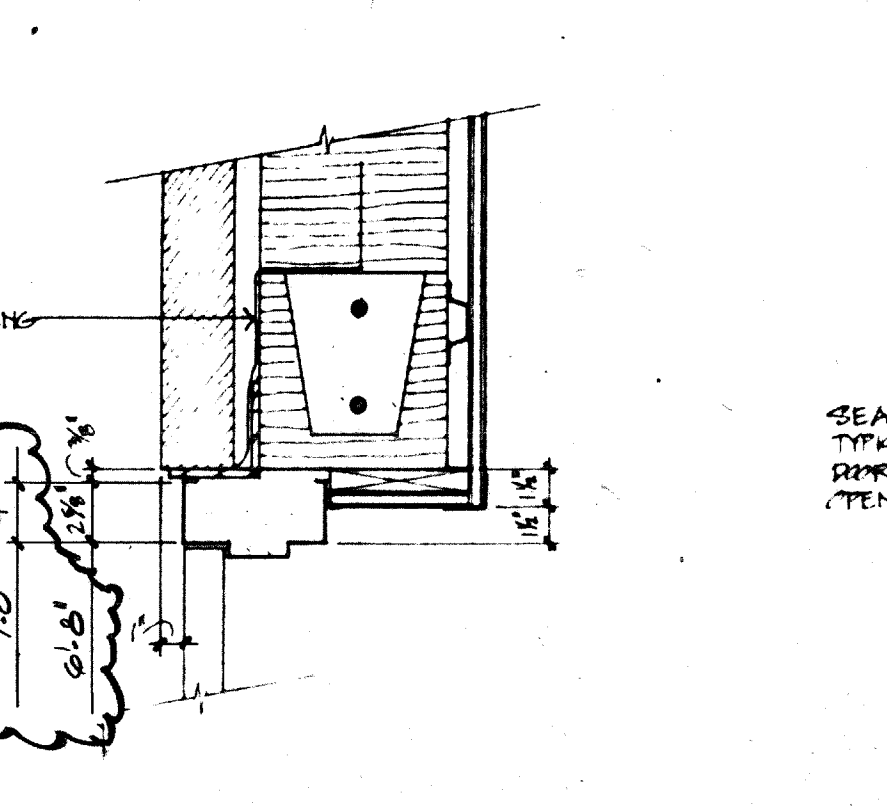
A829 SILL



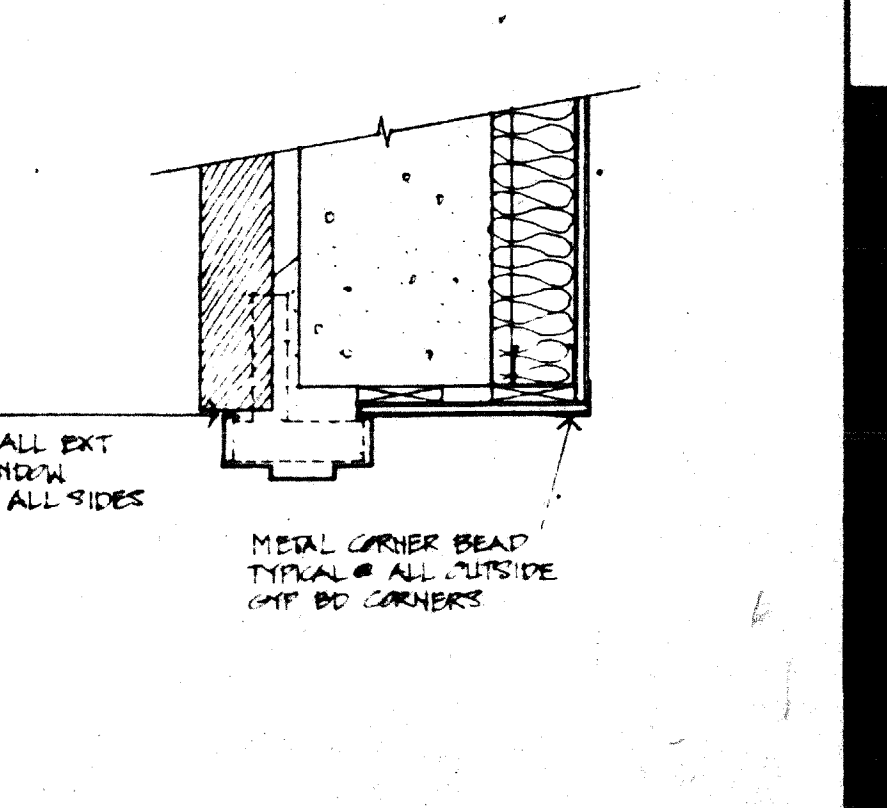
A823 JAMB (HEAD)



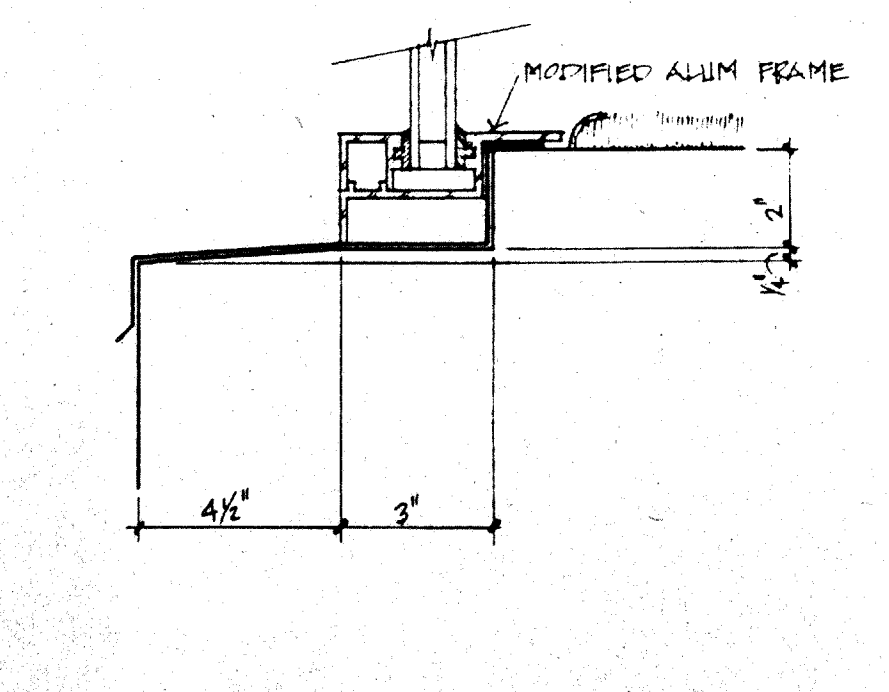
A817 HEAD



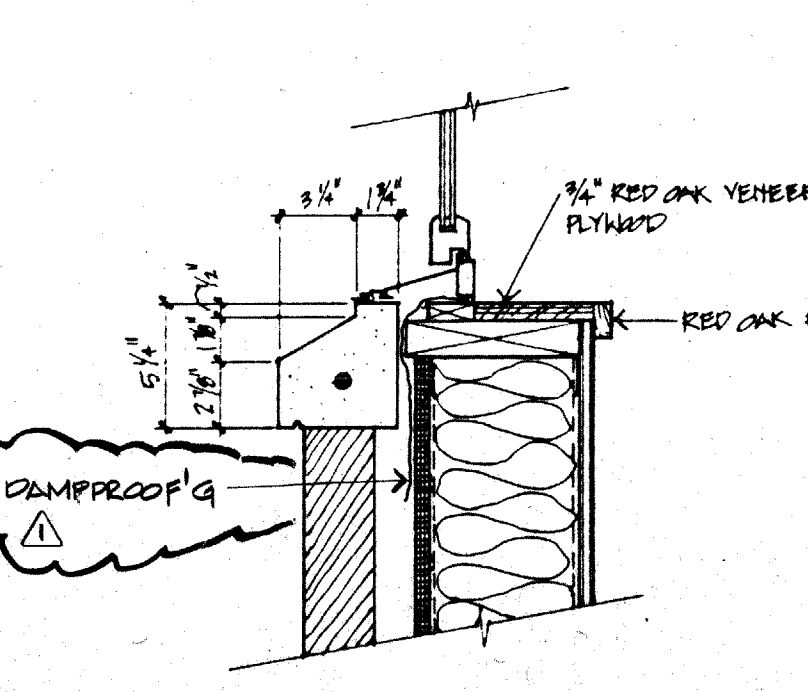
A811 HEAD



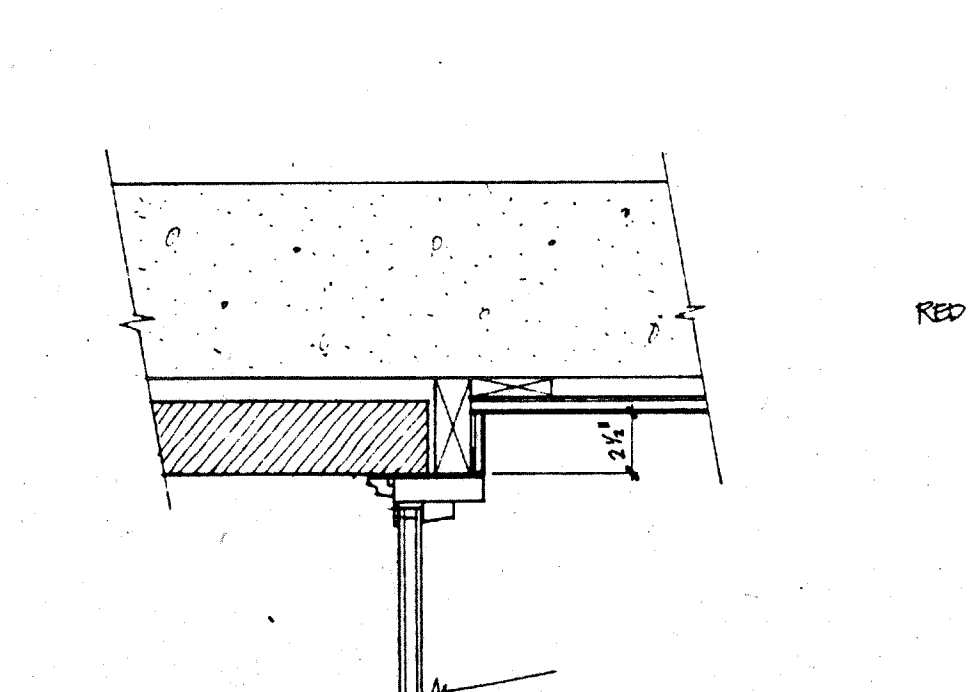
A805 JAMB



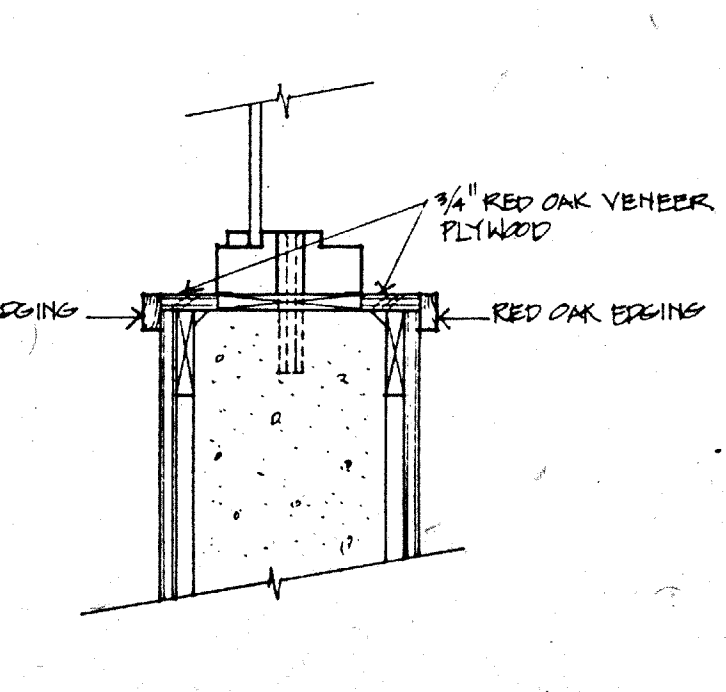
A842



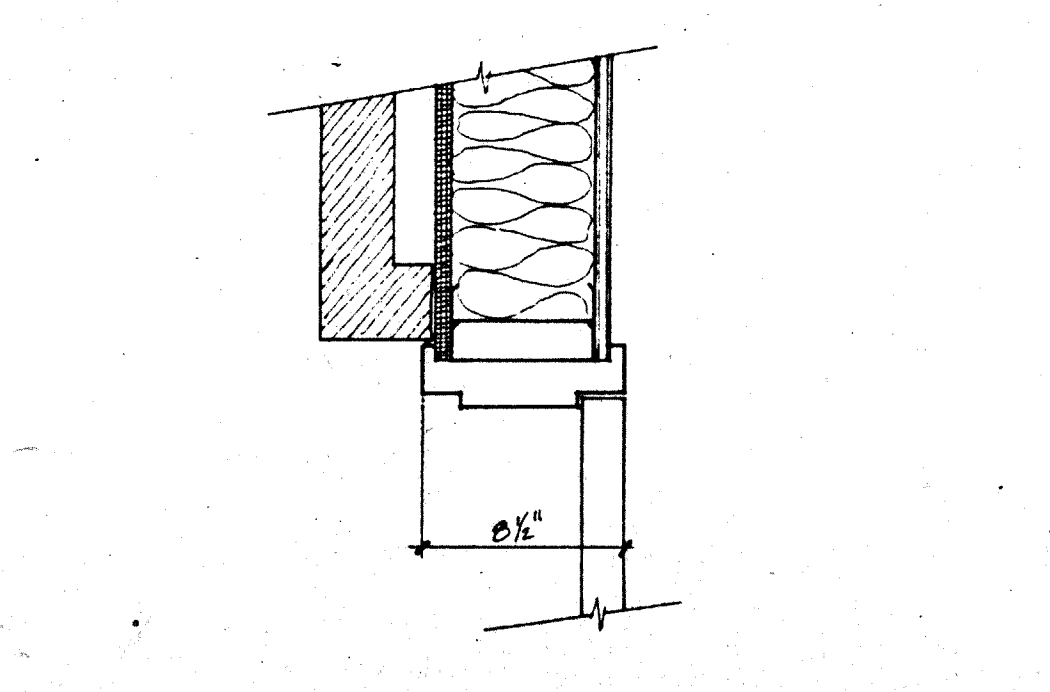
A836 SILL



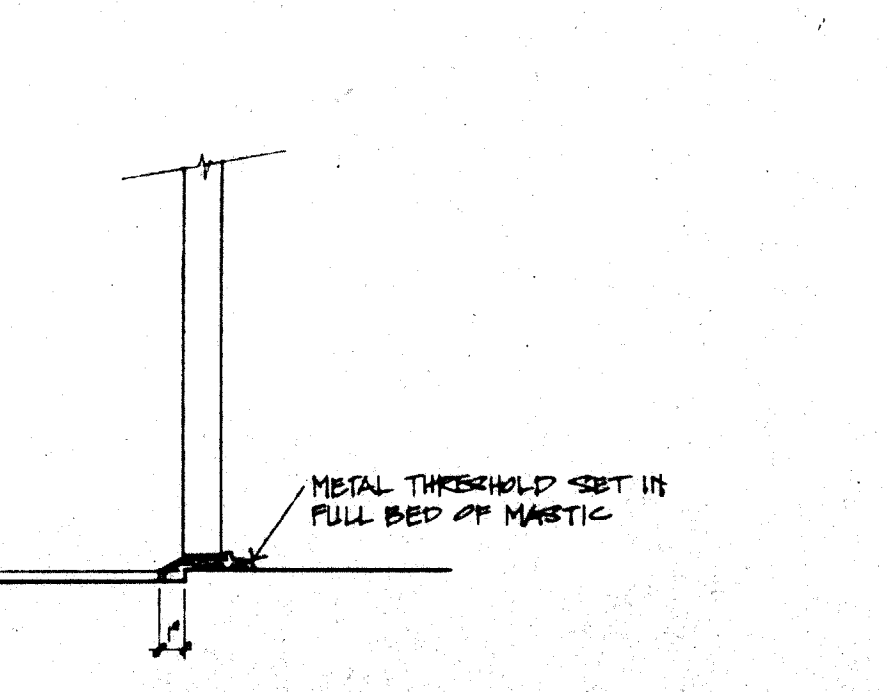
A830 JAMB



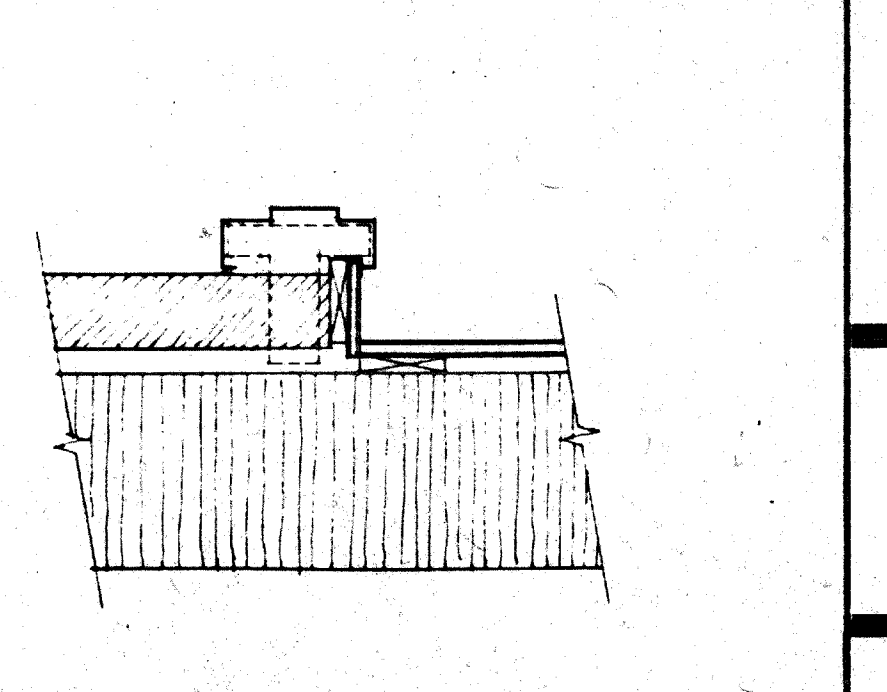
A824 SILL



A818 JAMB



A812 SILL



A806 JAMB



DAVID A. DILLARD
ARCHITECTURE
4312 Westside Drive - Suite E
Dallas, Texas 75209 • (214) 528-2842

CITY OF ADDISON
FIRE DEPARTMENT
CENTRAL OFFICE &
FIRE STATION NO. 1
ARBORE PARKWAY @
ADDISON ROAD, ADDISON, TX

DOOR DETAILS
WINDOW DETAILS

PROJECT NO. 82-00
SHEET NO. A8
DATE 6/25/82

DOOR AND WINDOW DETAILS
SCALE: 1/4" = 1'-0"
(UNLESS NOTED OTHERWISE)