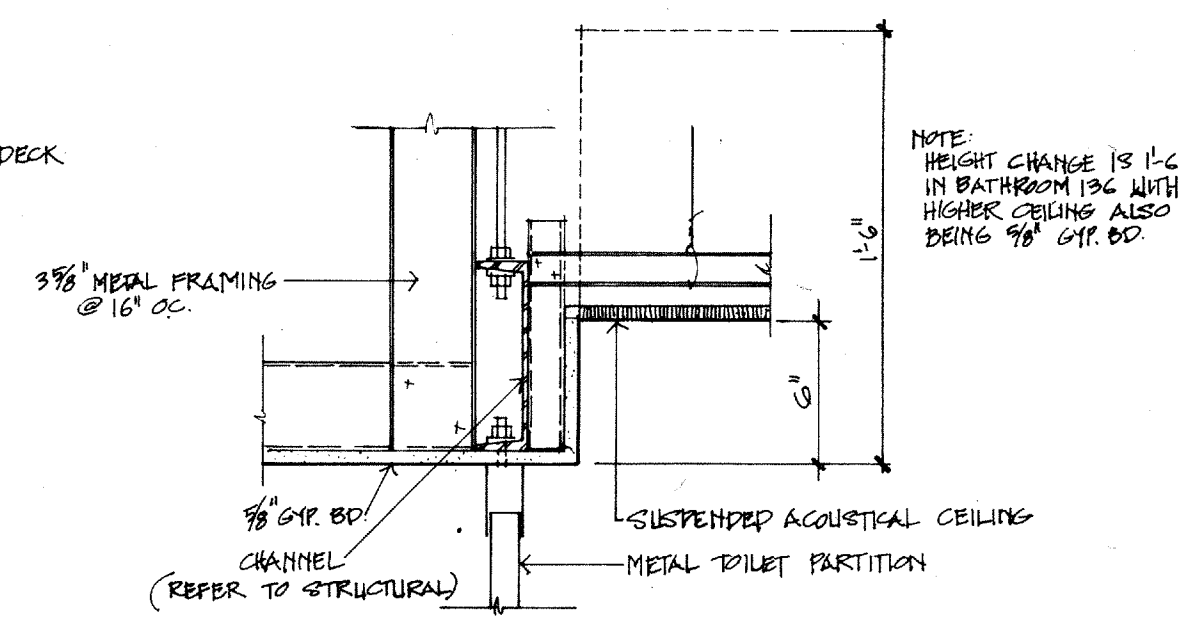
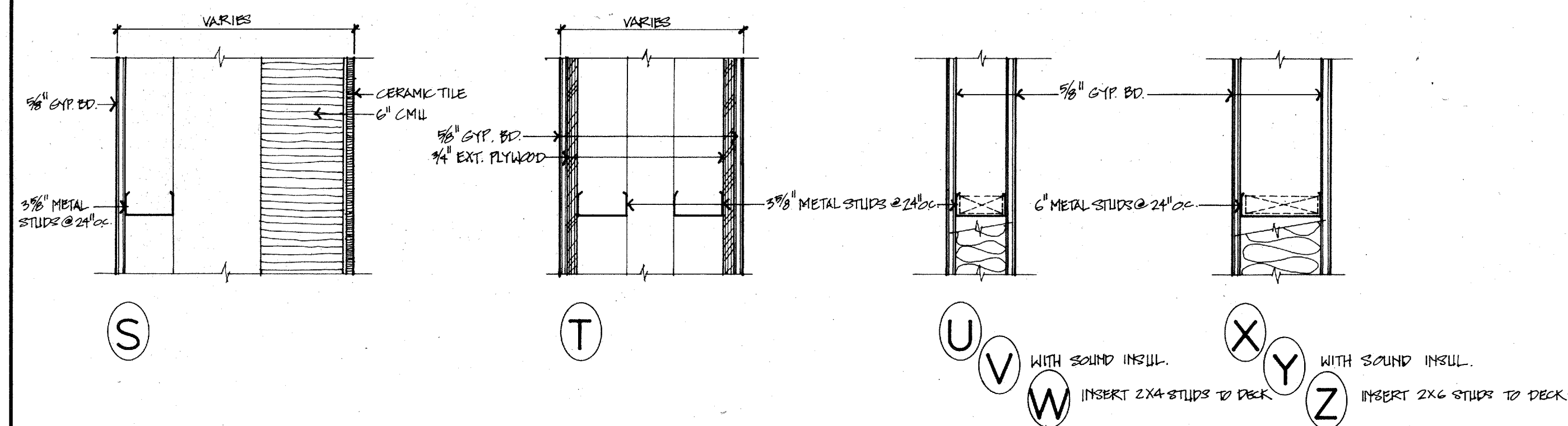
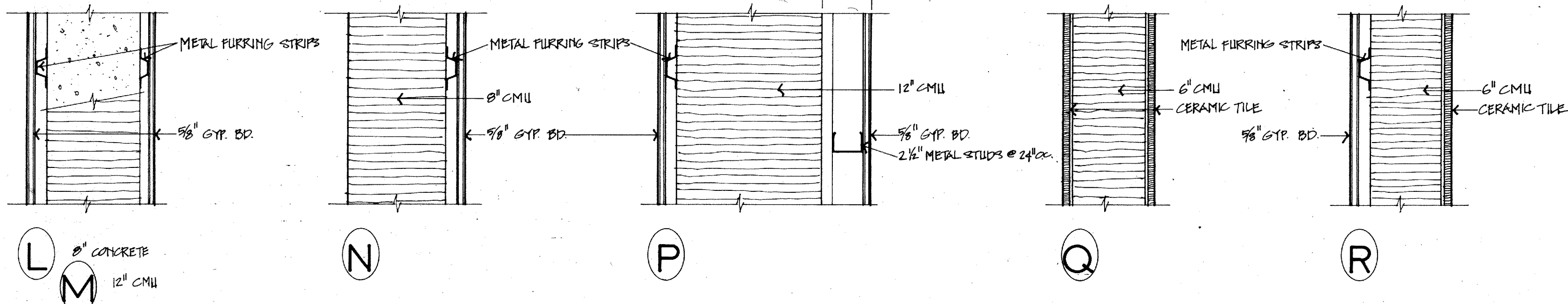
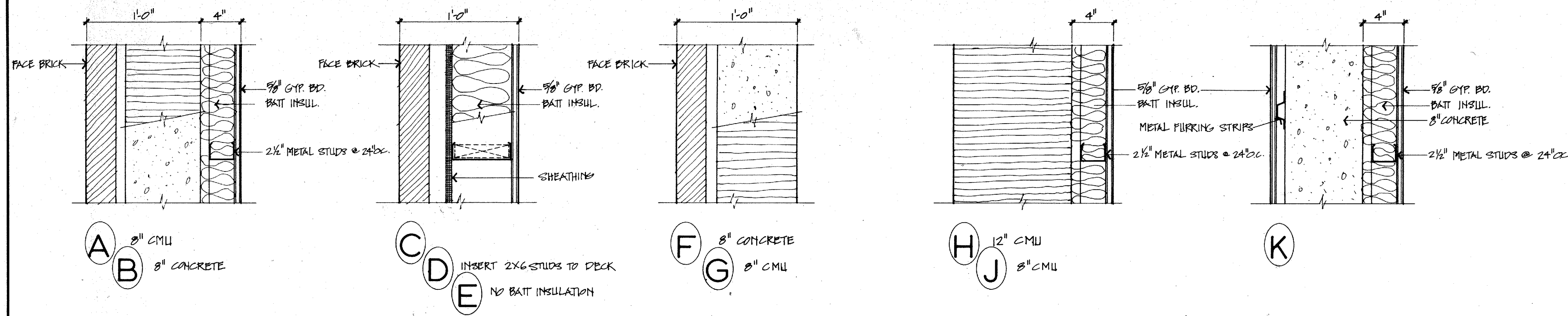
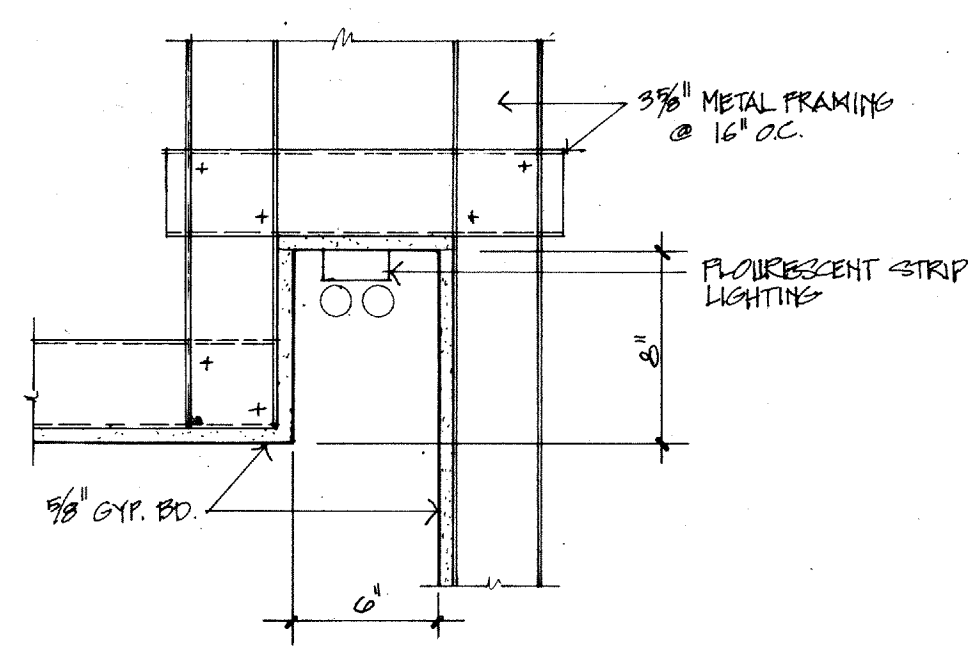


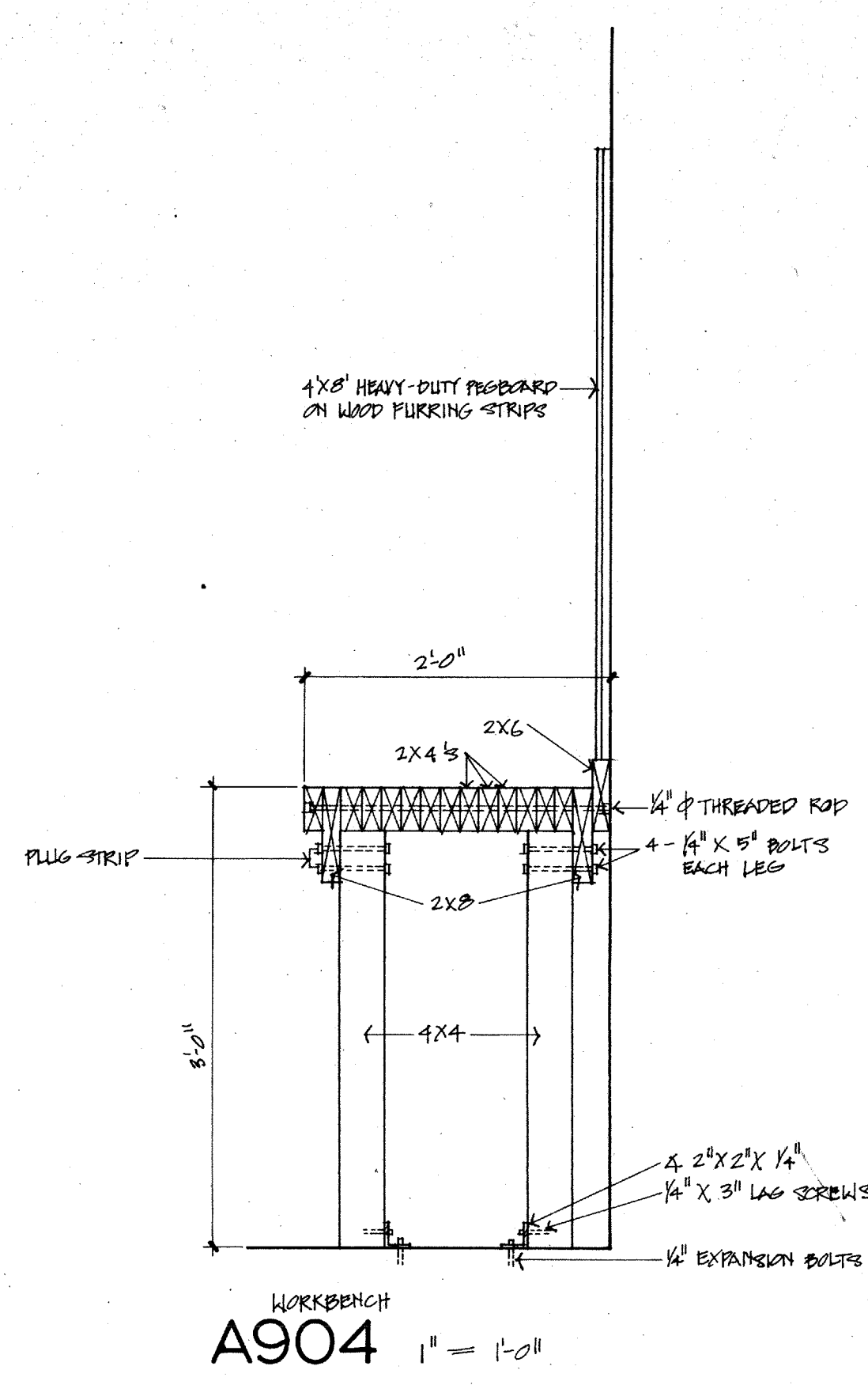
PARTITION TYPES SCALE: 1/2" = 1'-0"



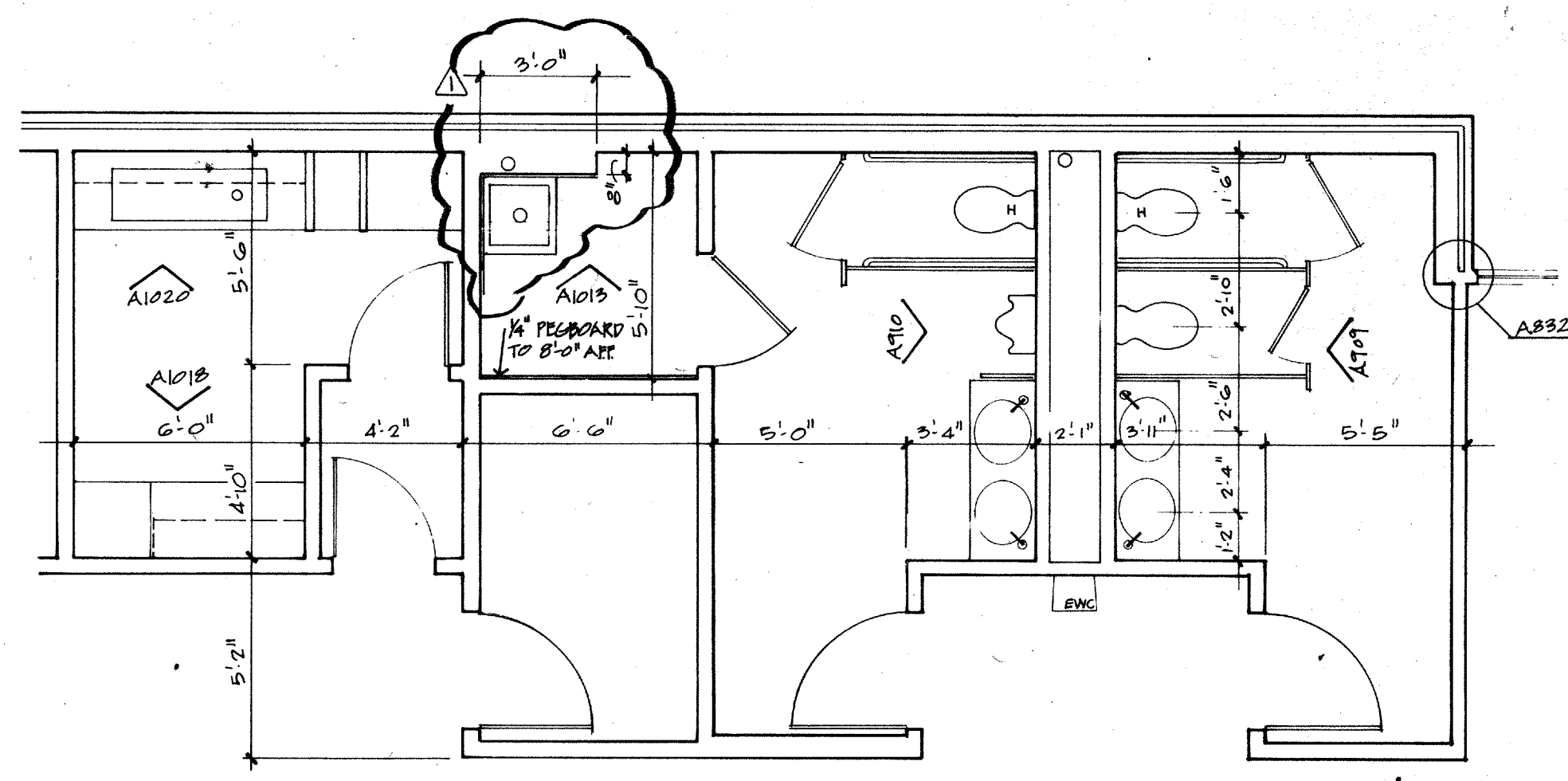
A907 1/2" = 1'-0"



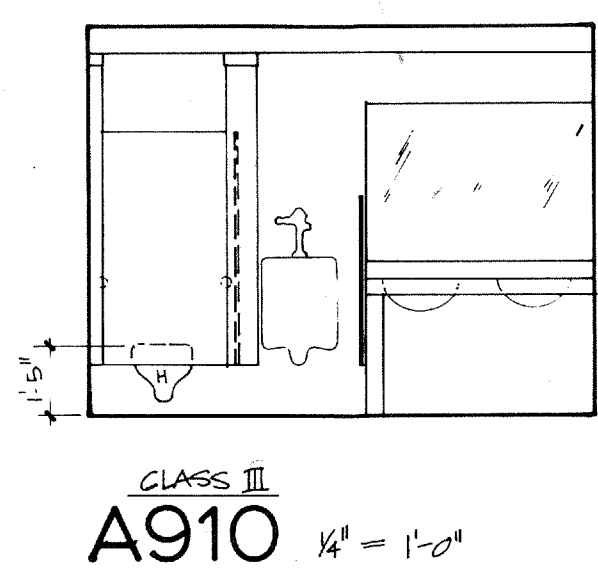
A906 1/2" = 1'-0"



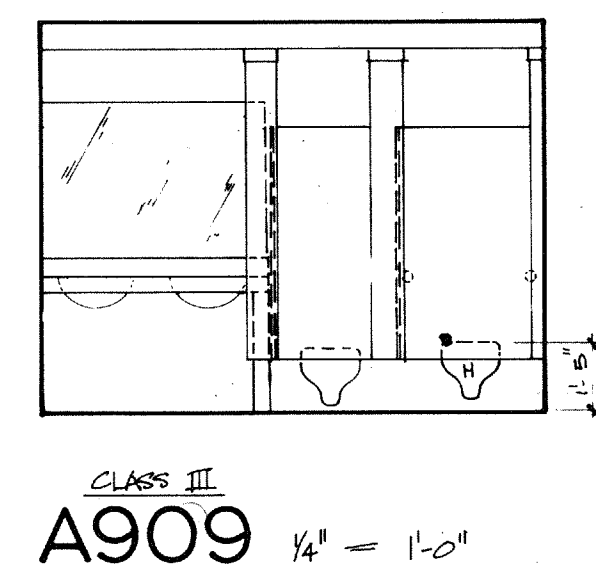
WORKBENCH A904 1" = 1'-0"



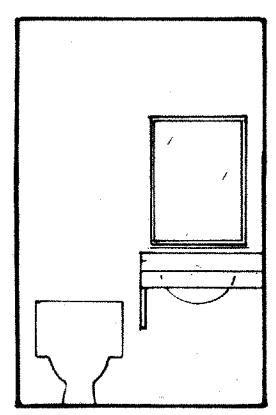
A905 1/4" = 1'-0"



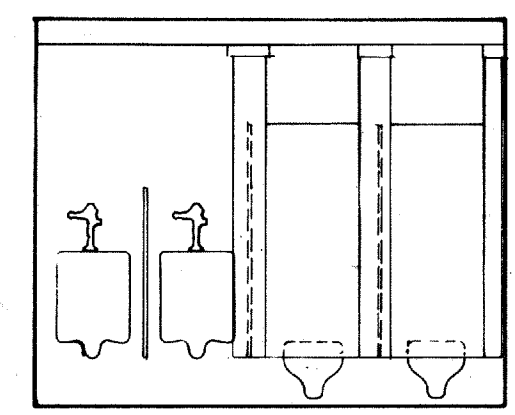
A910 1/4" = 1'-0"



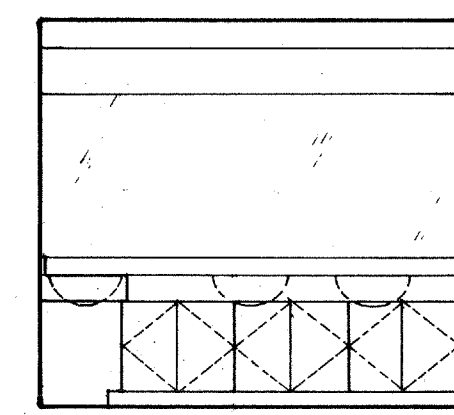
A909 1/4" = 1'-0"



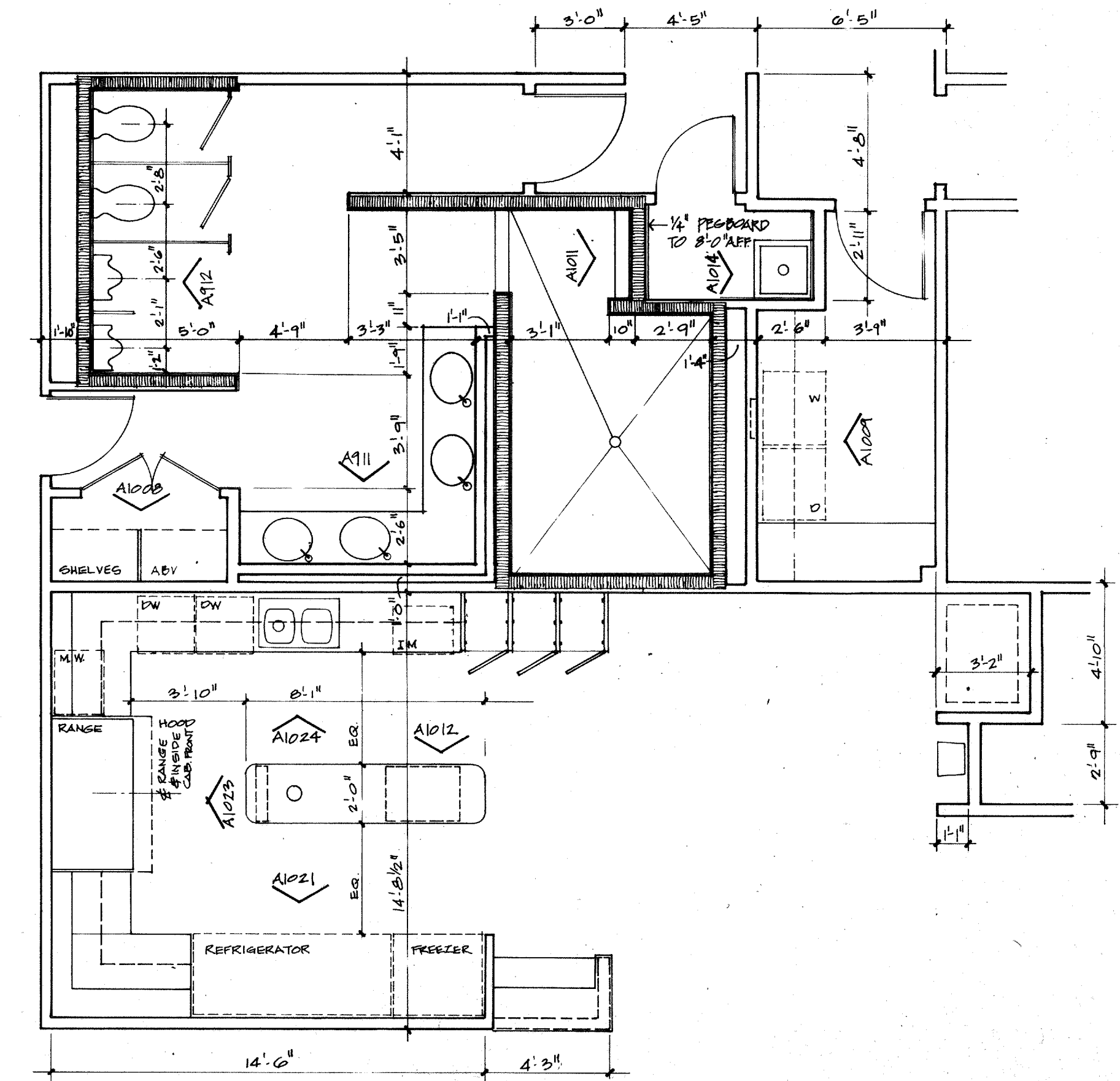
A913 1/4" = 1'-0"



A912 1/4" = 1'-0"



A911 1/4" = 1'-0"



A908 1/4" = 1'-0"

David A. Dillard #1012

DAVID A. DILLARD ARCHITECTURE
4310 Westside Drive • Suite 400
Dallas, Texas 75219 • 214 328 2842

CITY OF ADDISON FIRE DEPARTMENT
CENTRAL OFFICES # FIRE STATION NO. 1
AIRPORT PARKWAY & ADDISON ROAD, ADDISON, TX.

1/4" SCALE FLOOR PLANS TOILET ELEVATIONS PARTITION TYPES