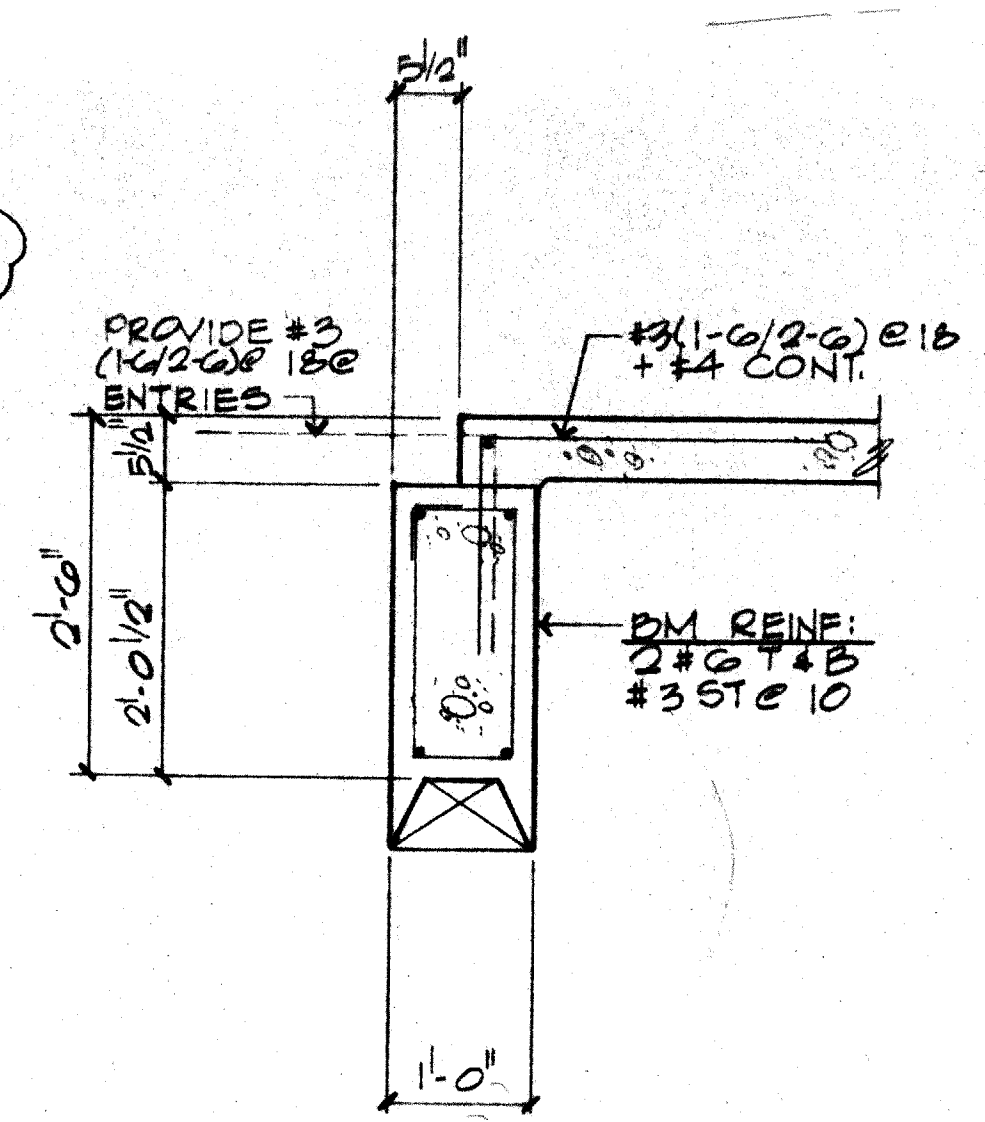
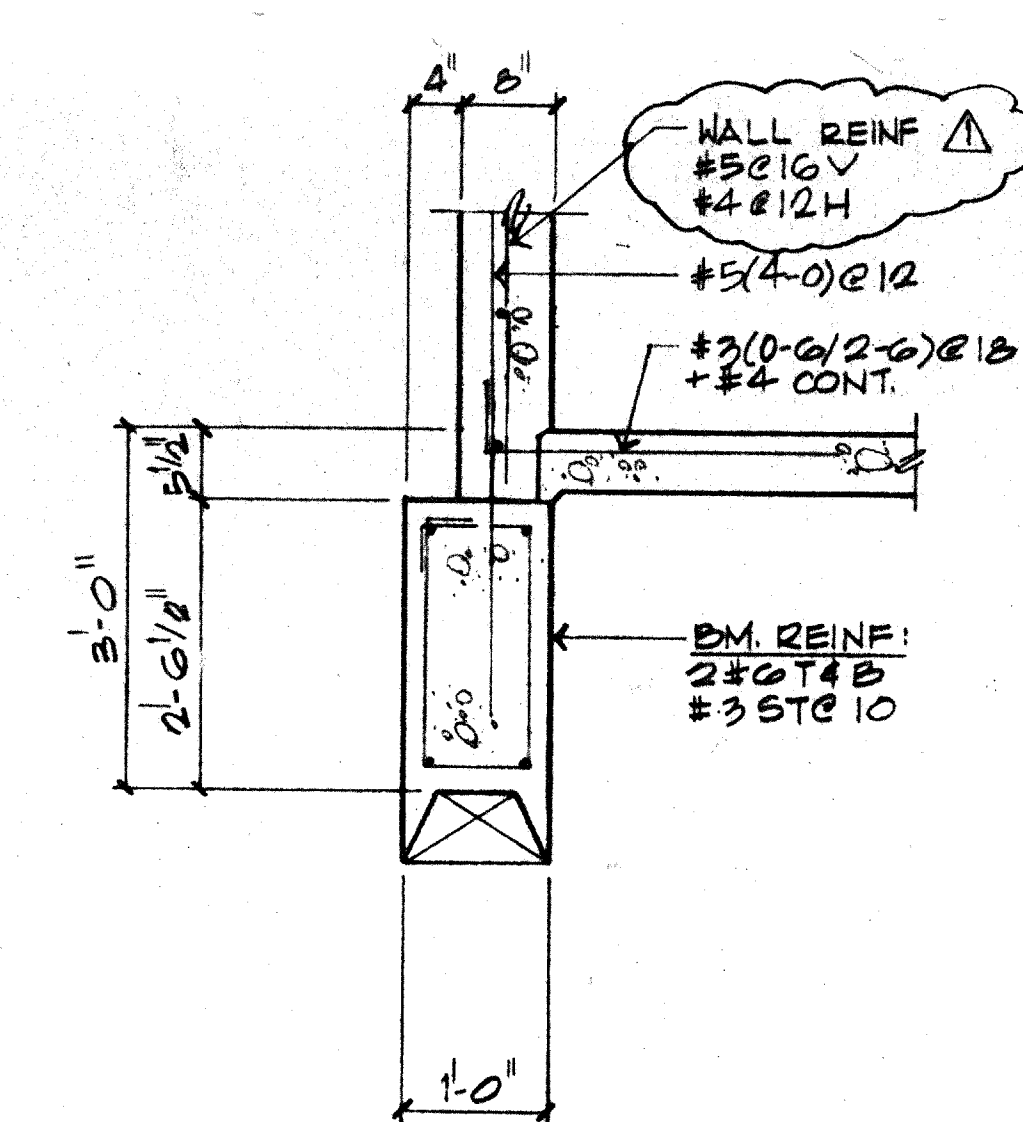


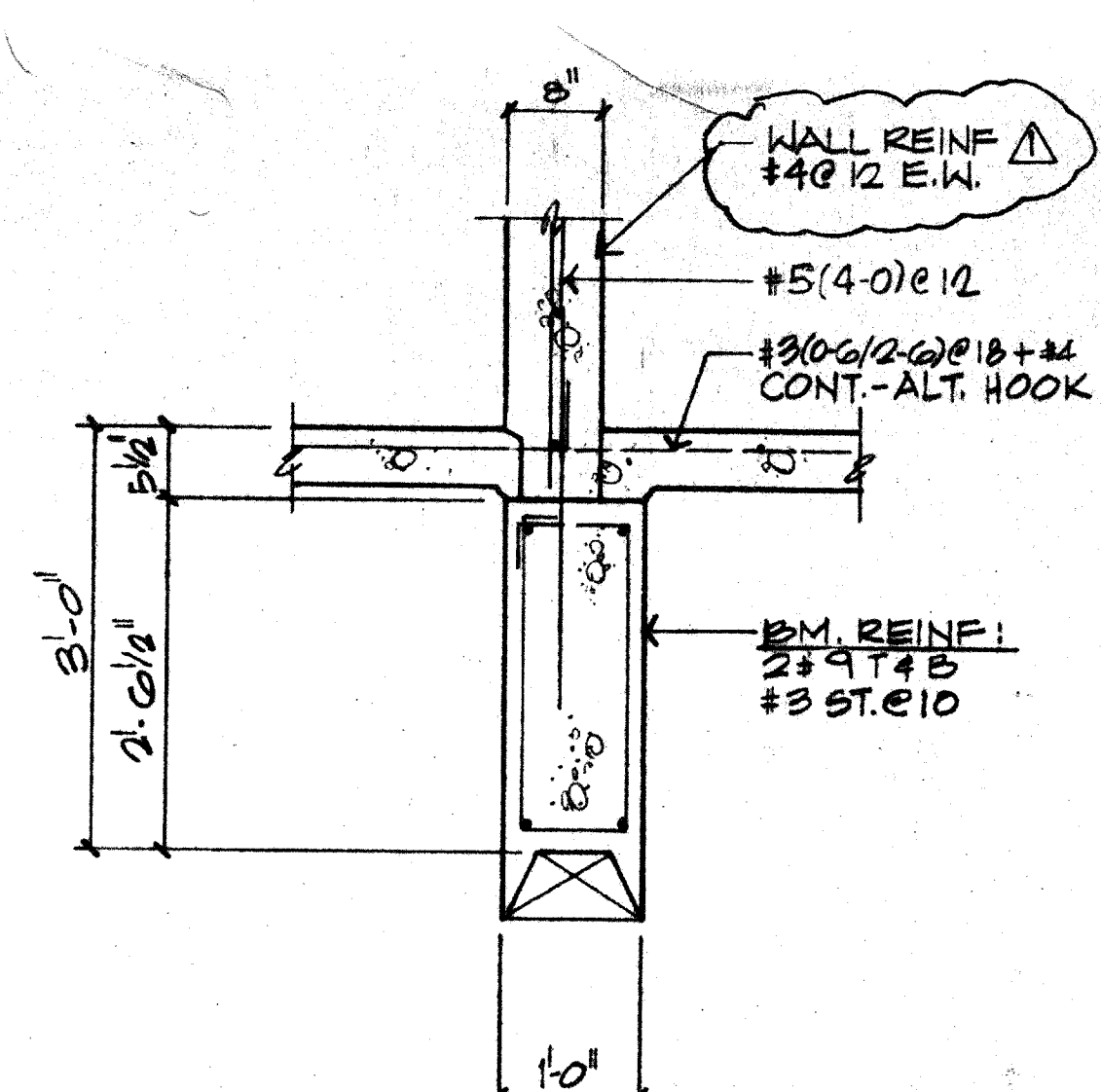
01-01A



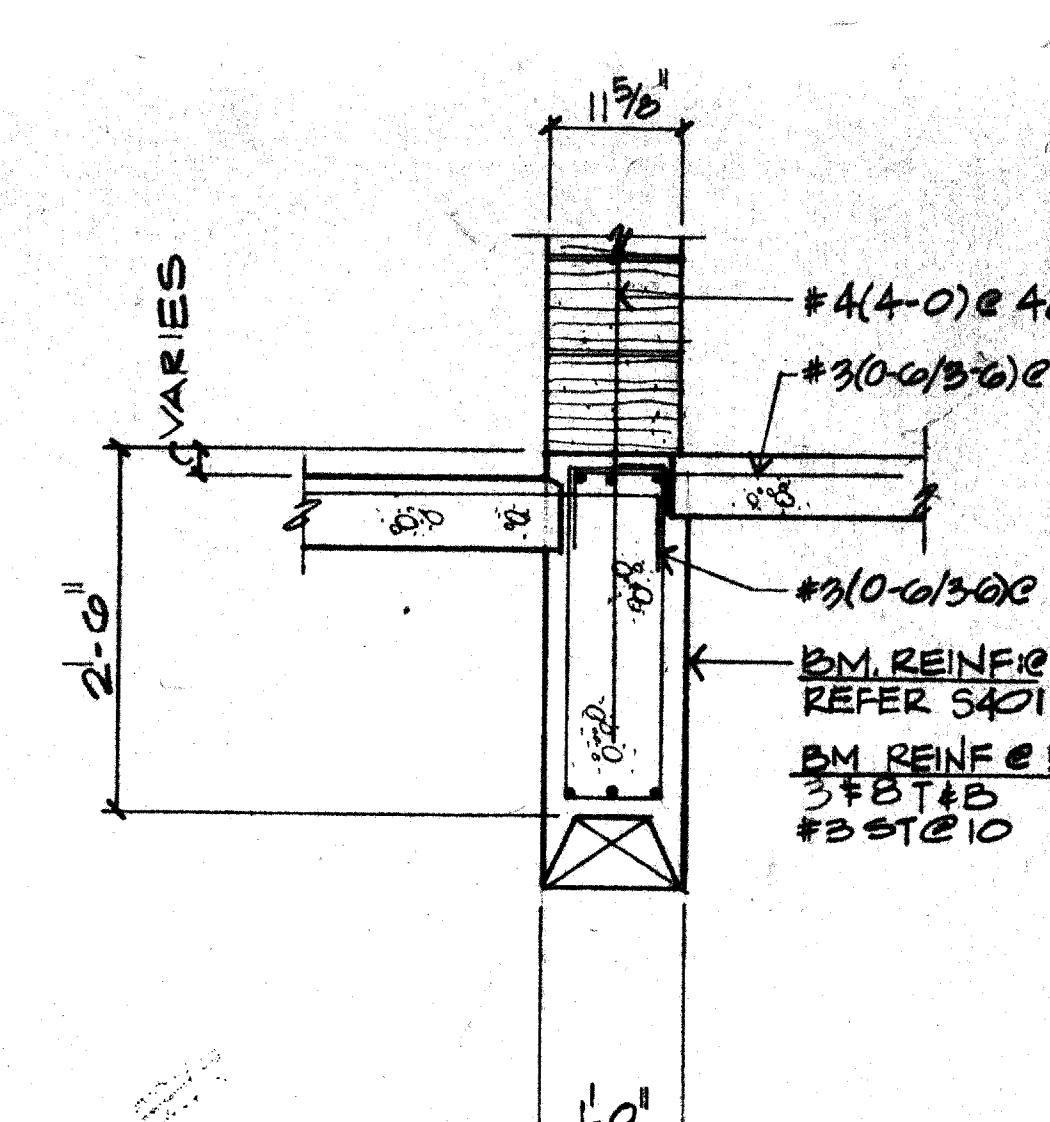
02



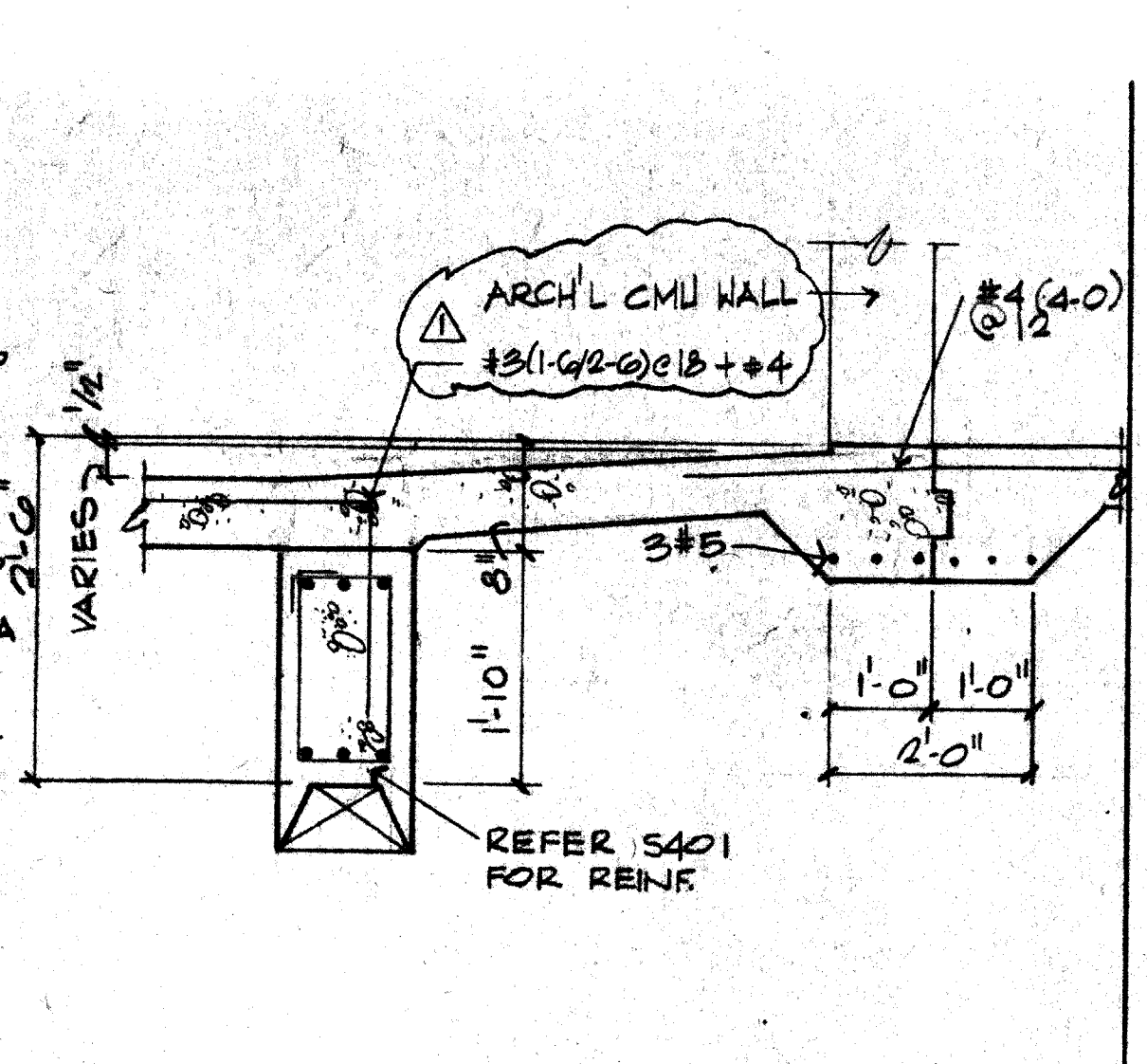
03



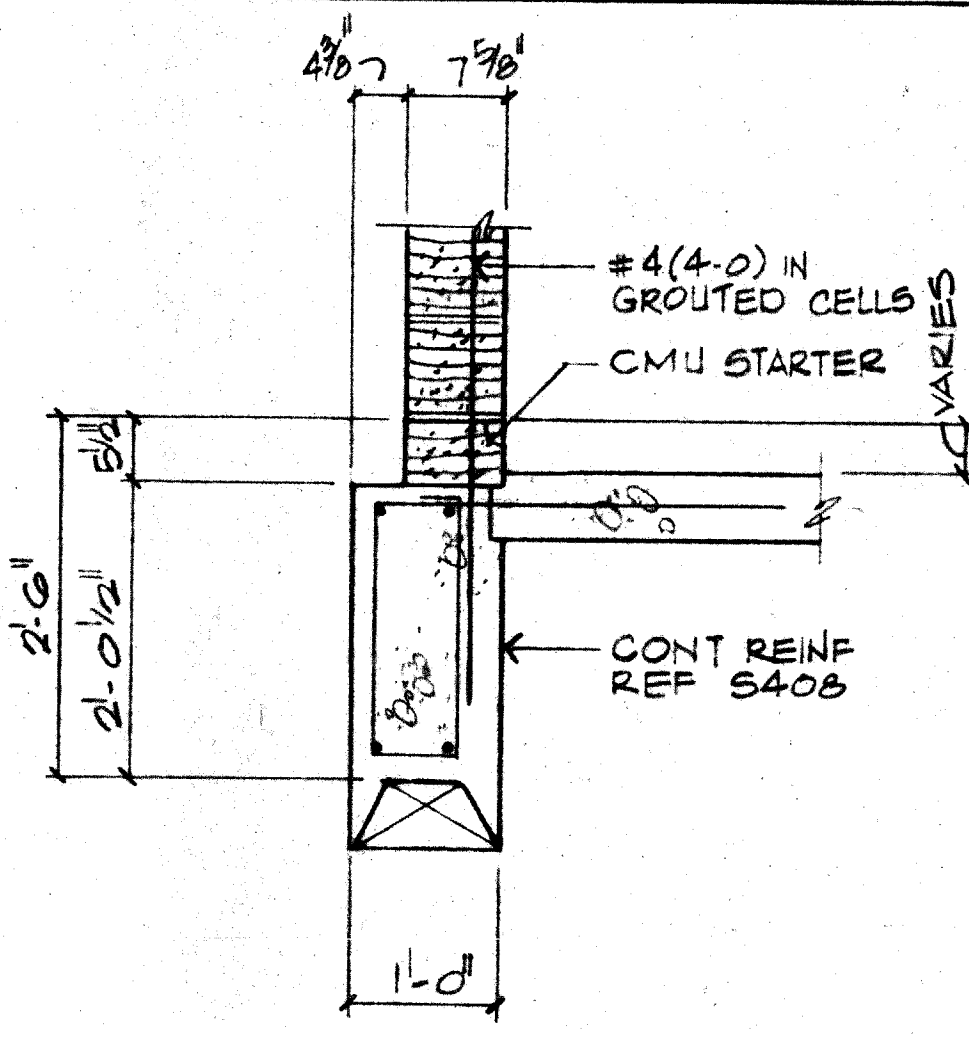
04



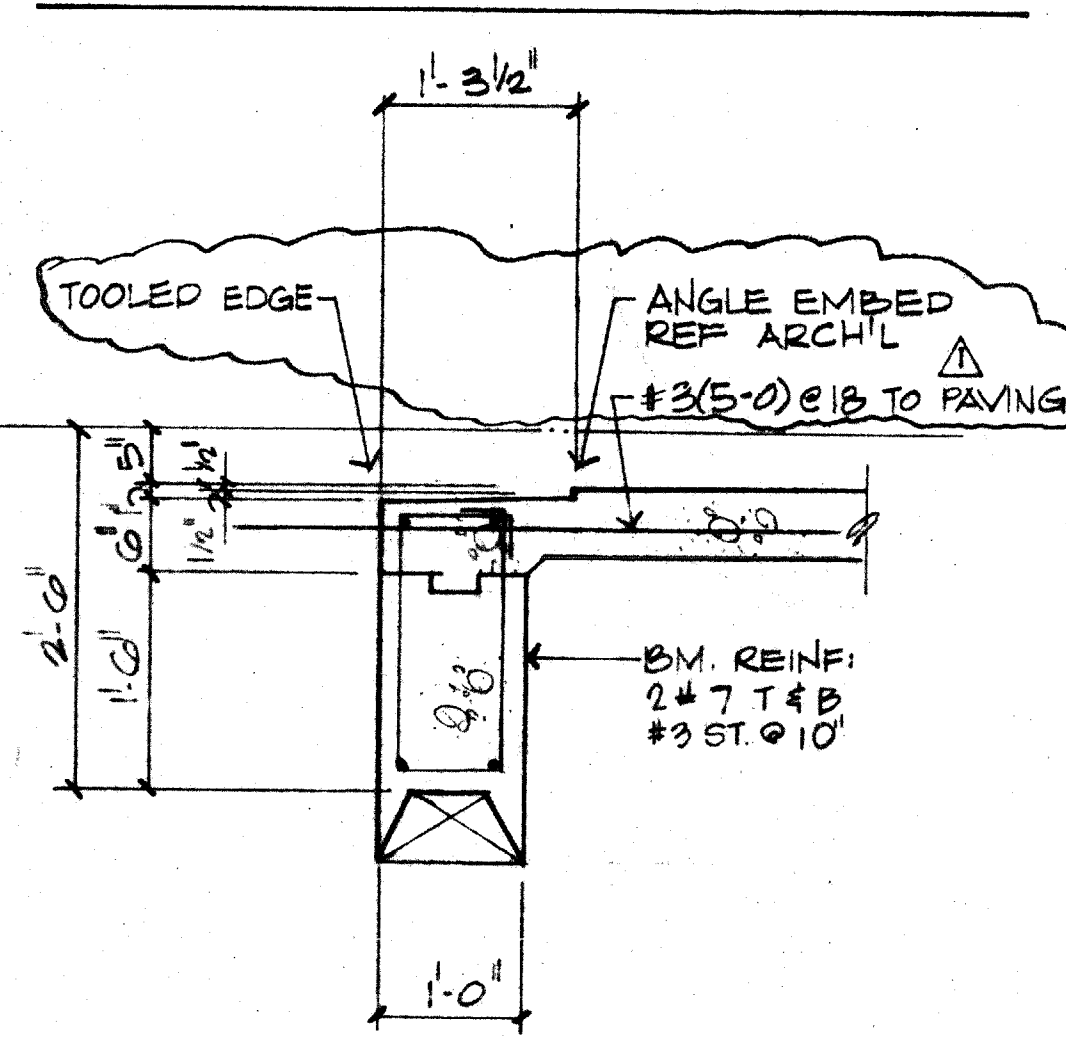
05-05A



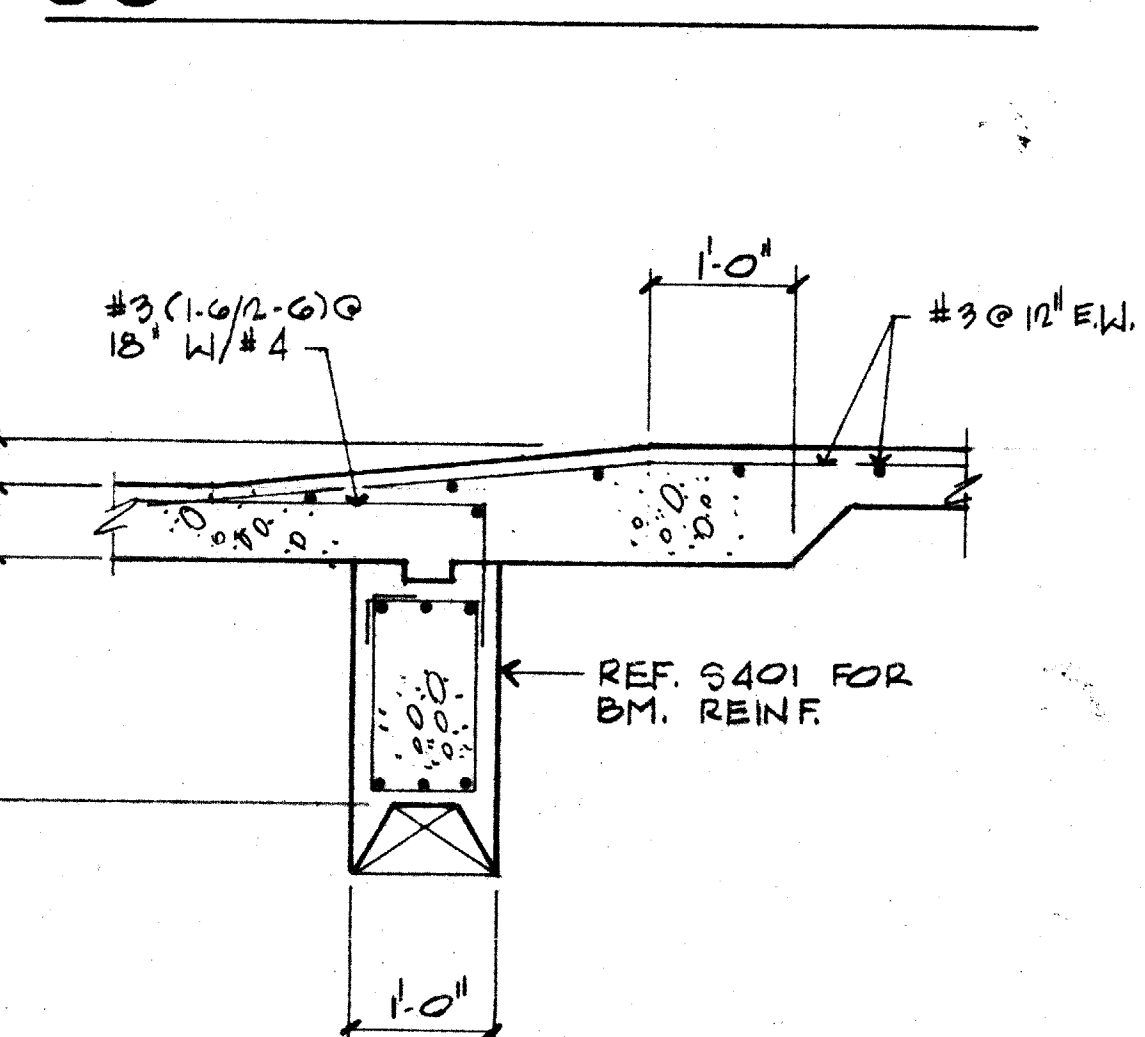
06



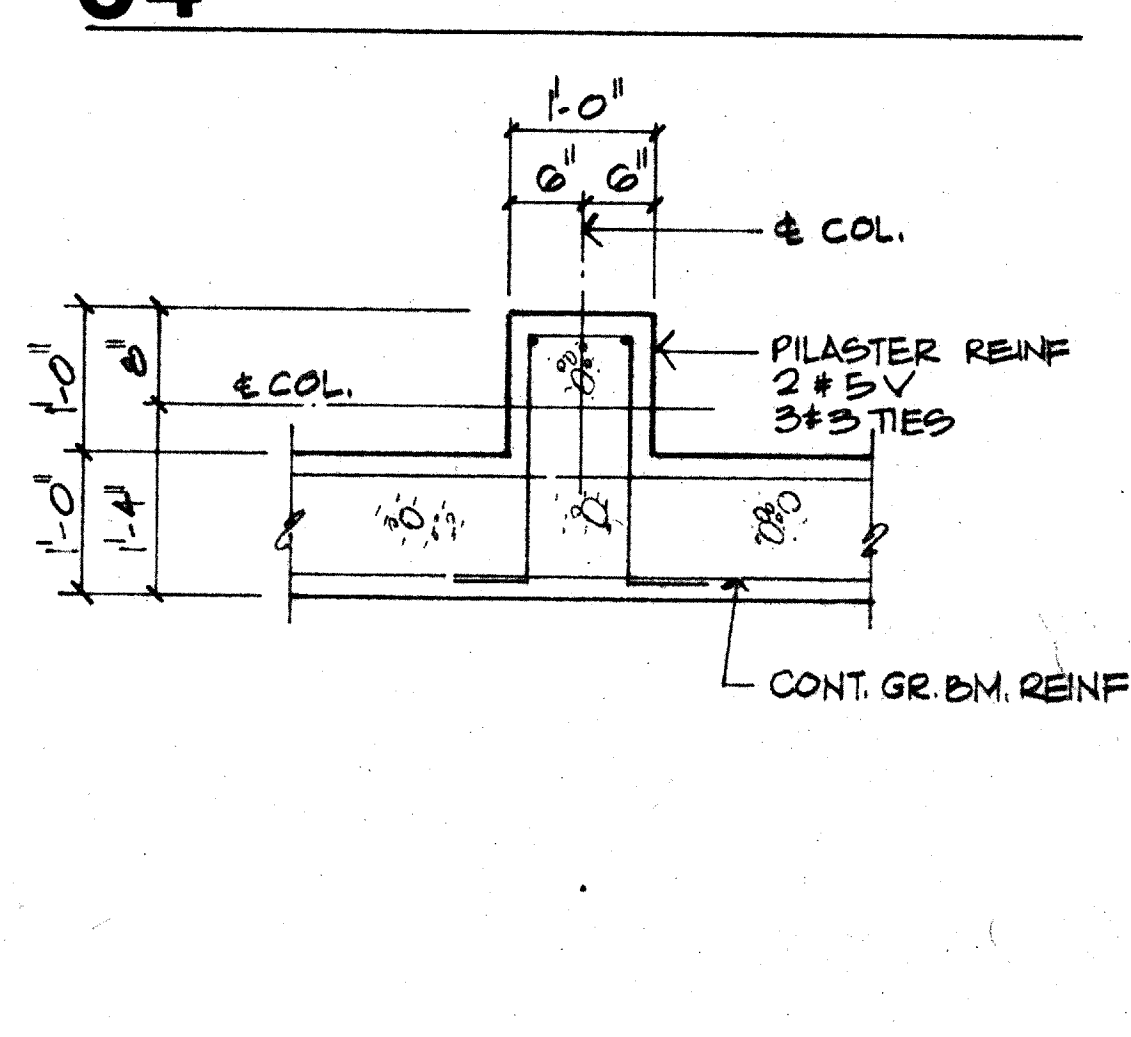
07



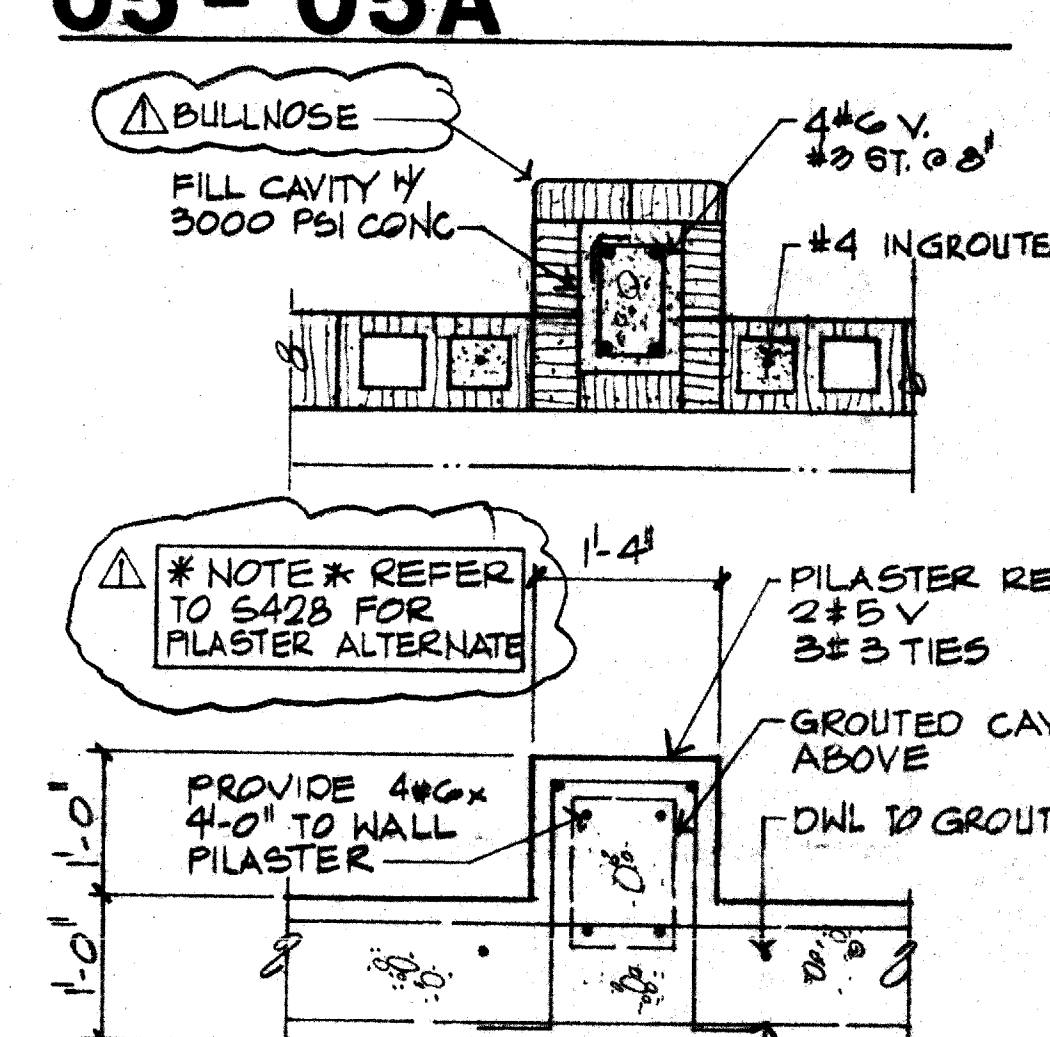
08



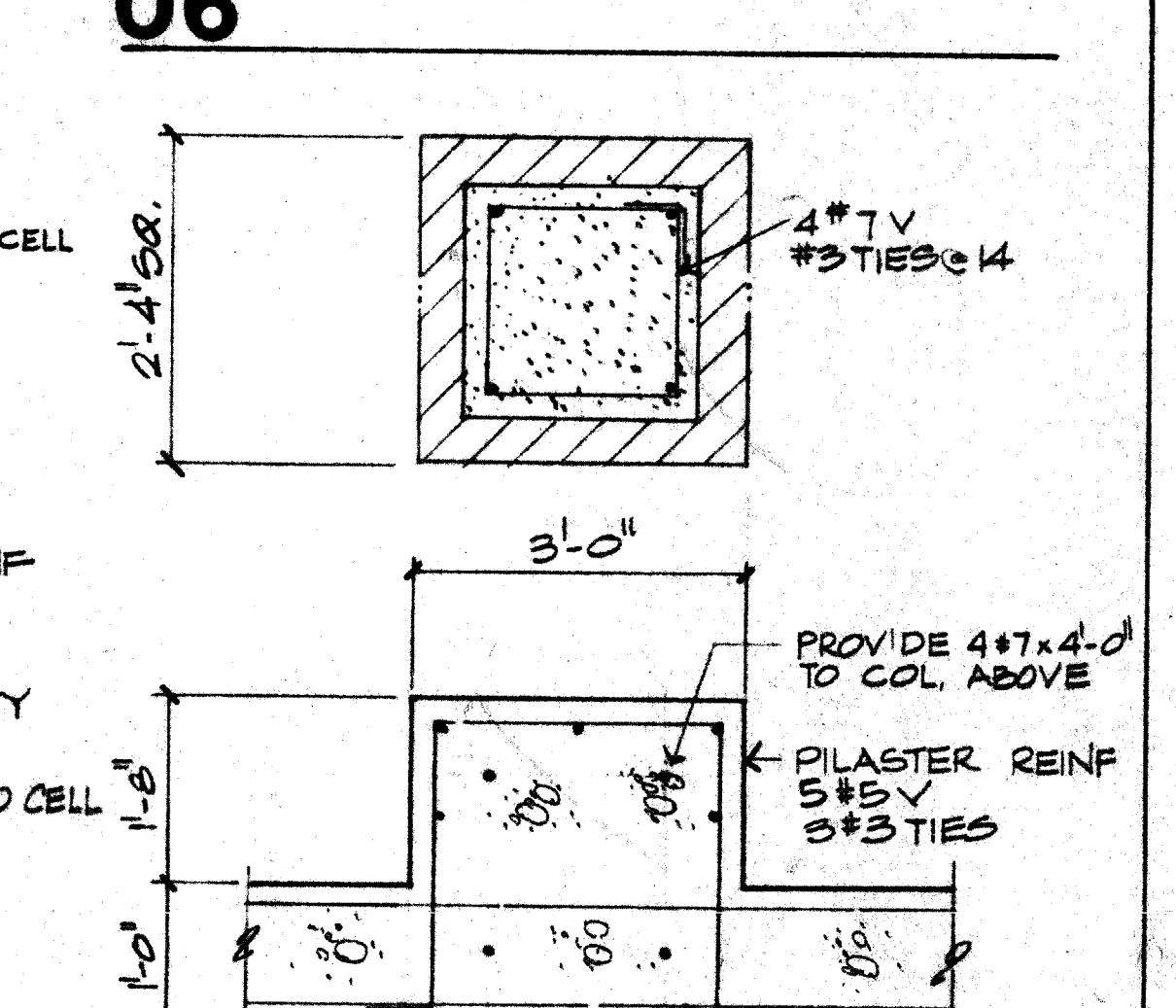
09



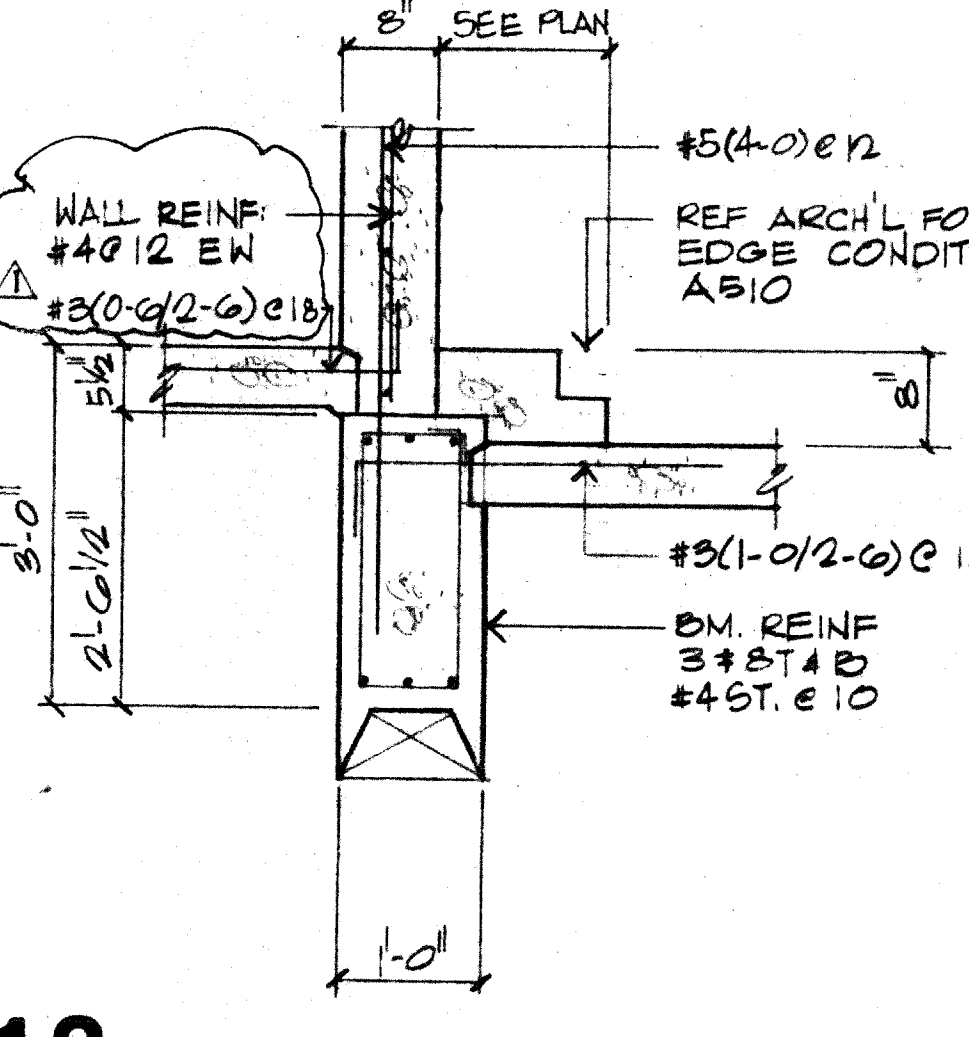
10



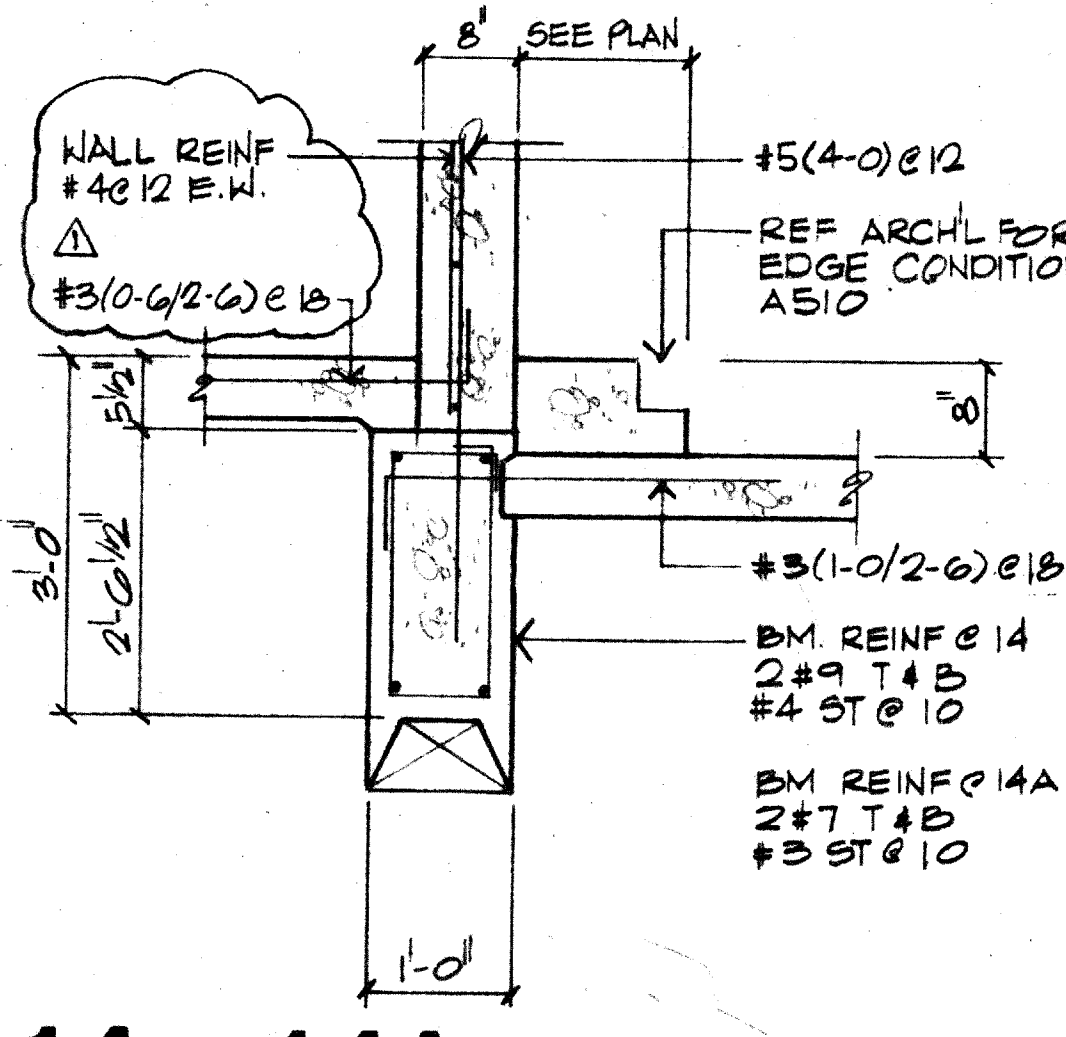
11



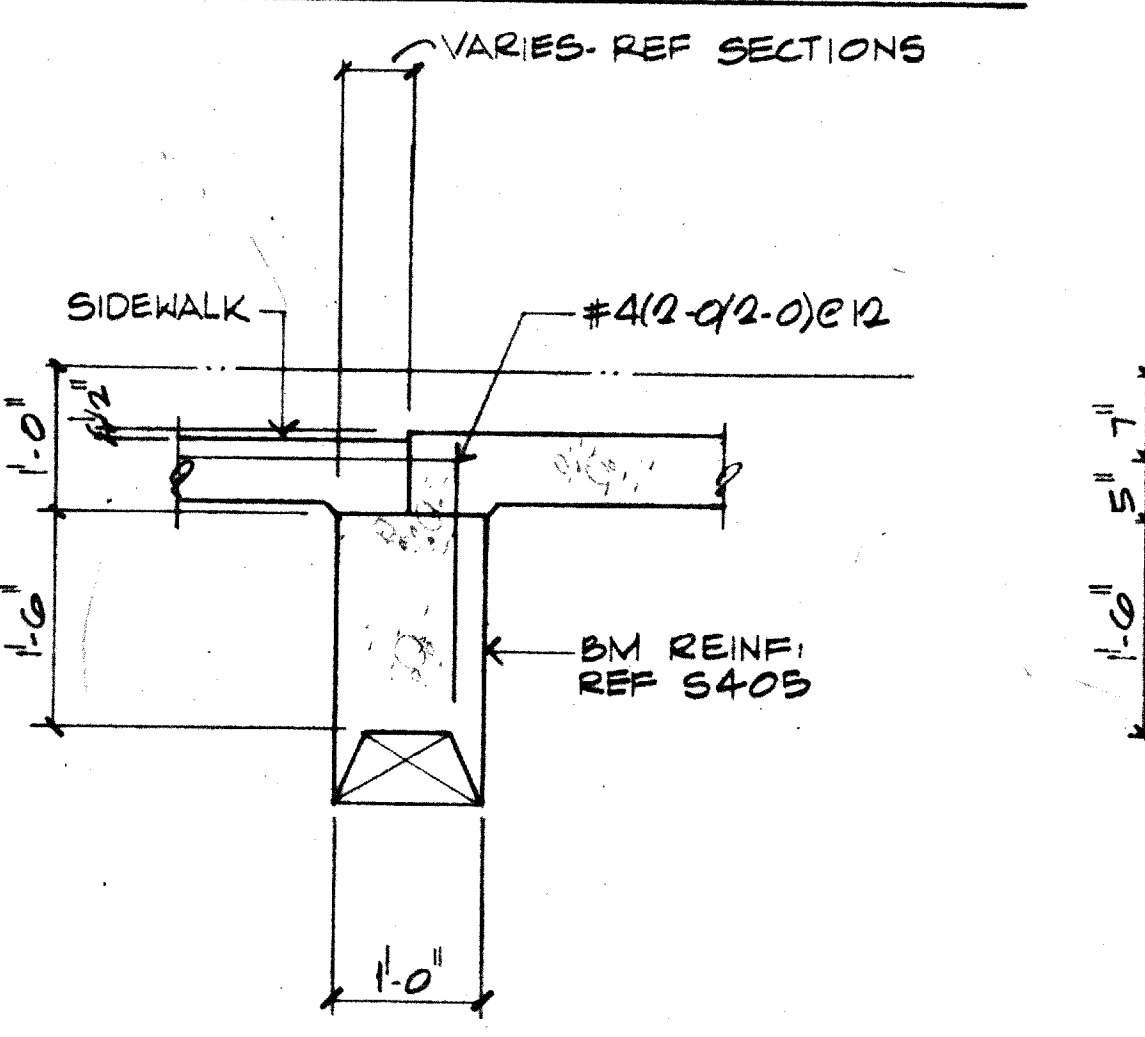
12



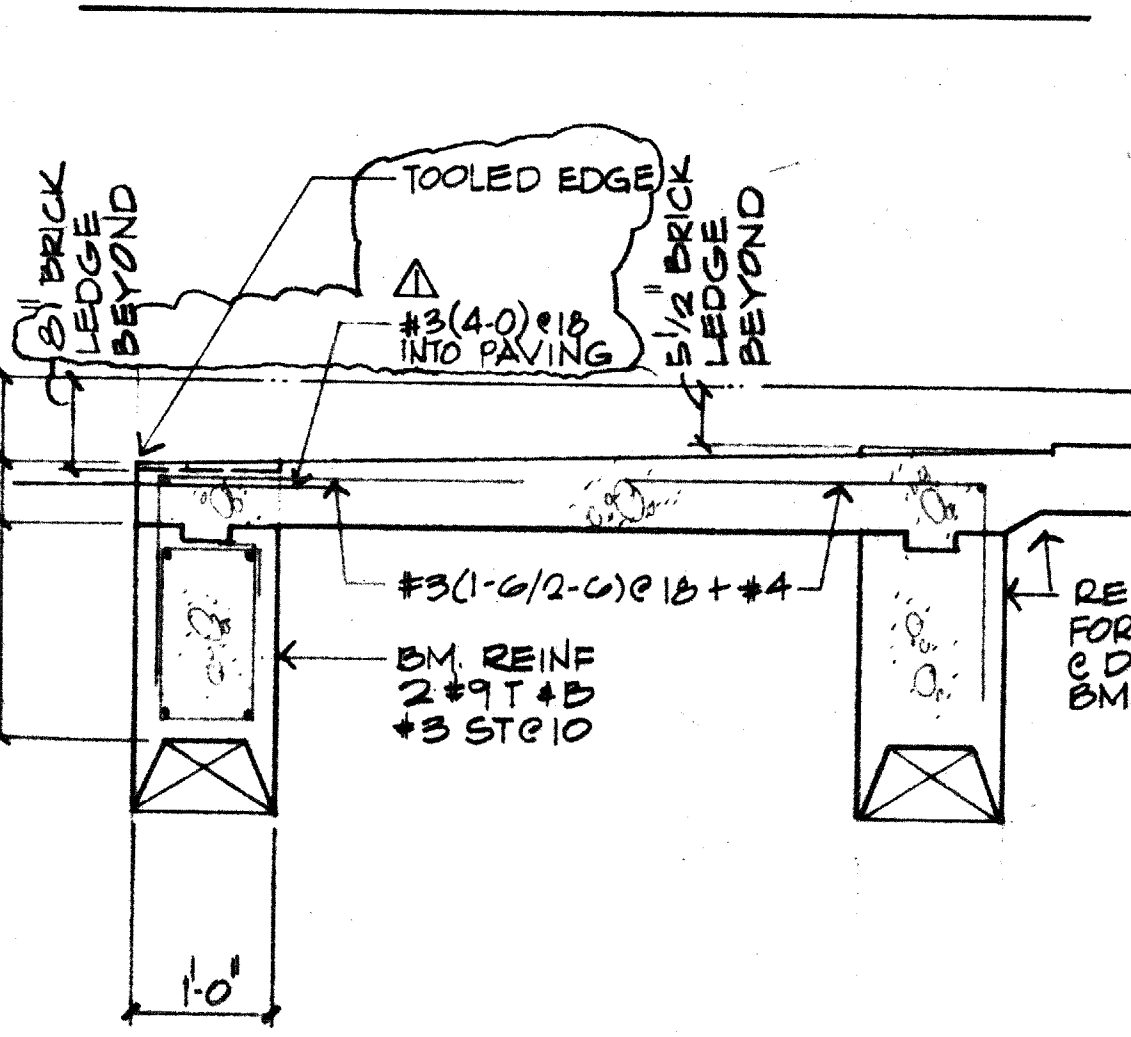
13



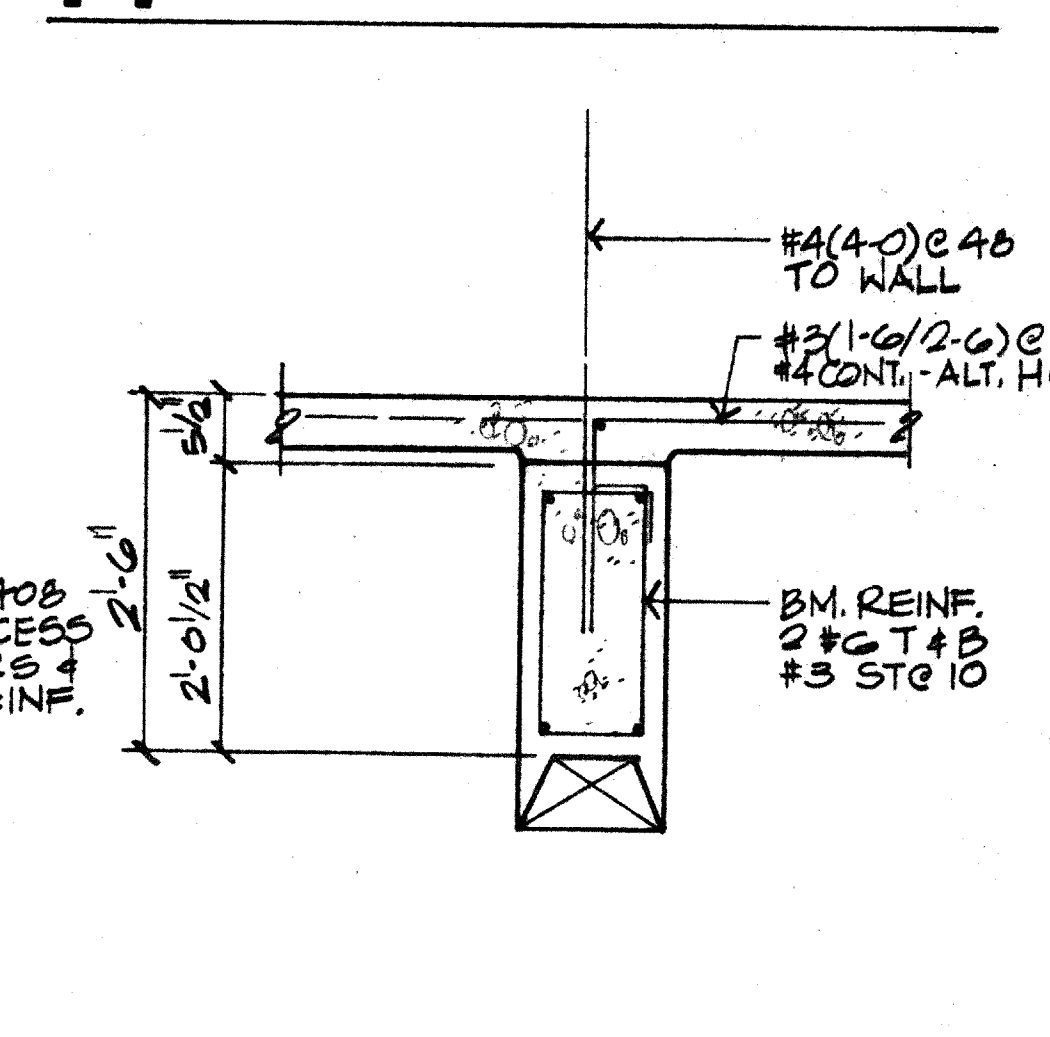
14-14A



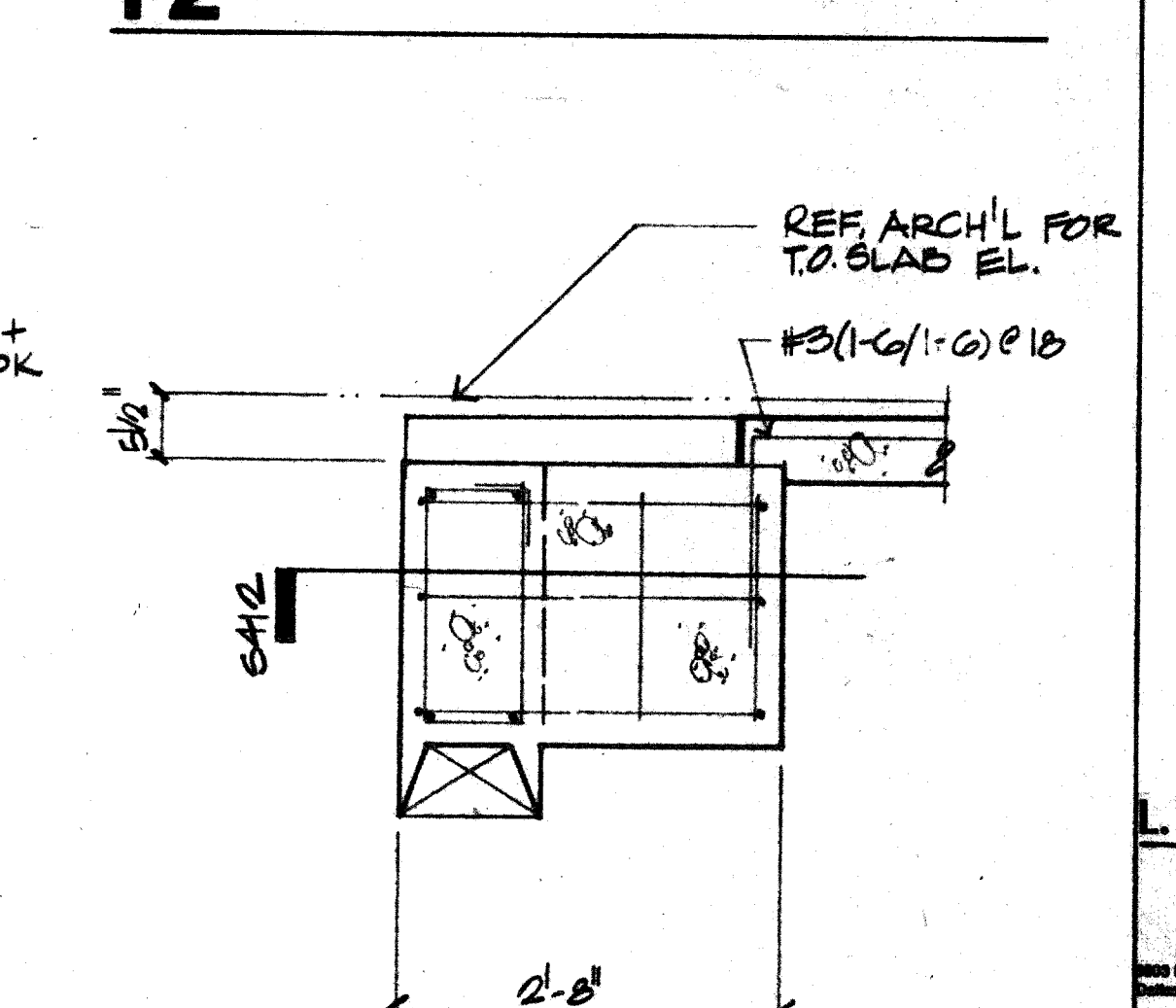
15



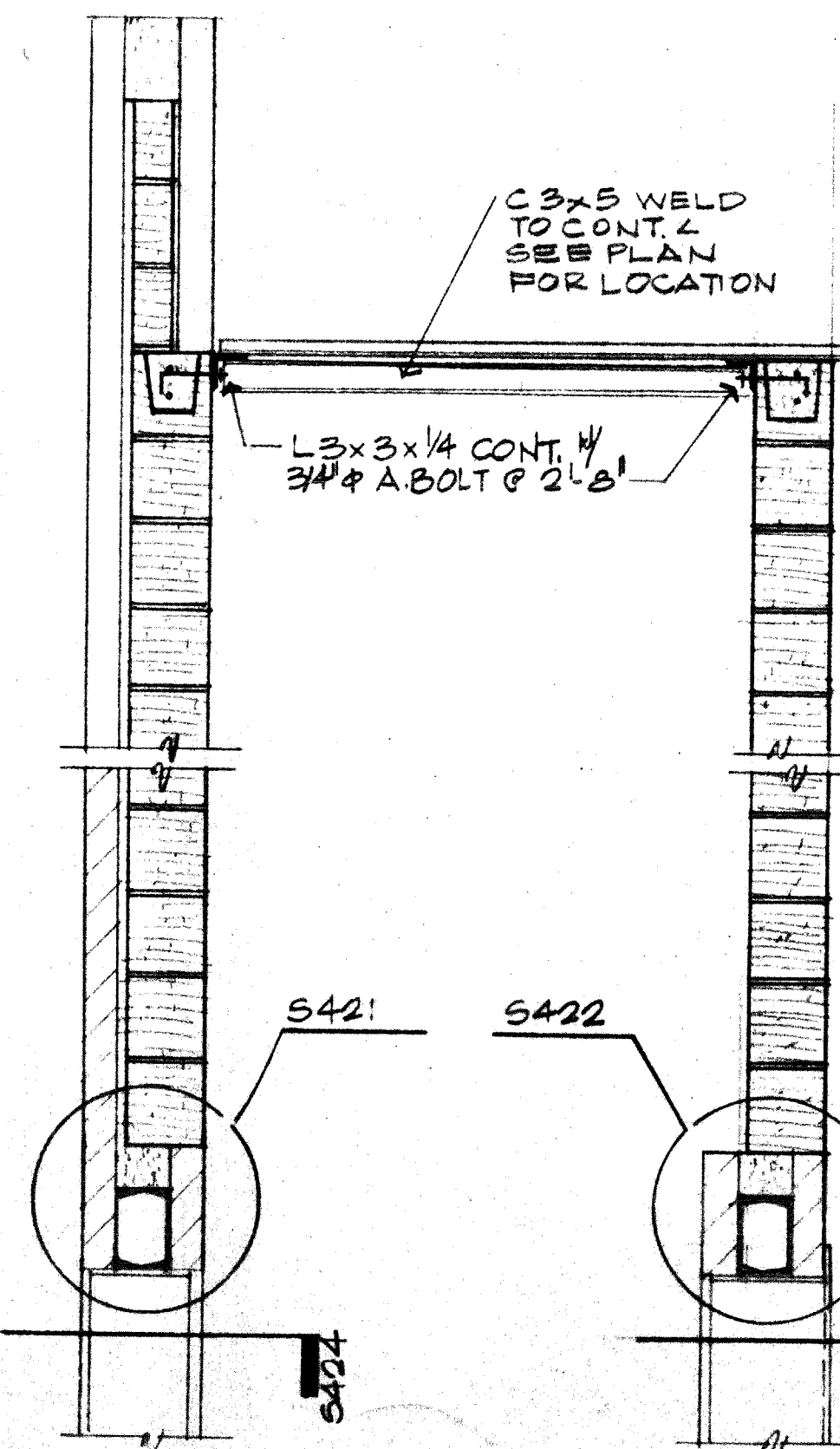
16



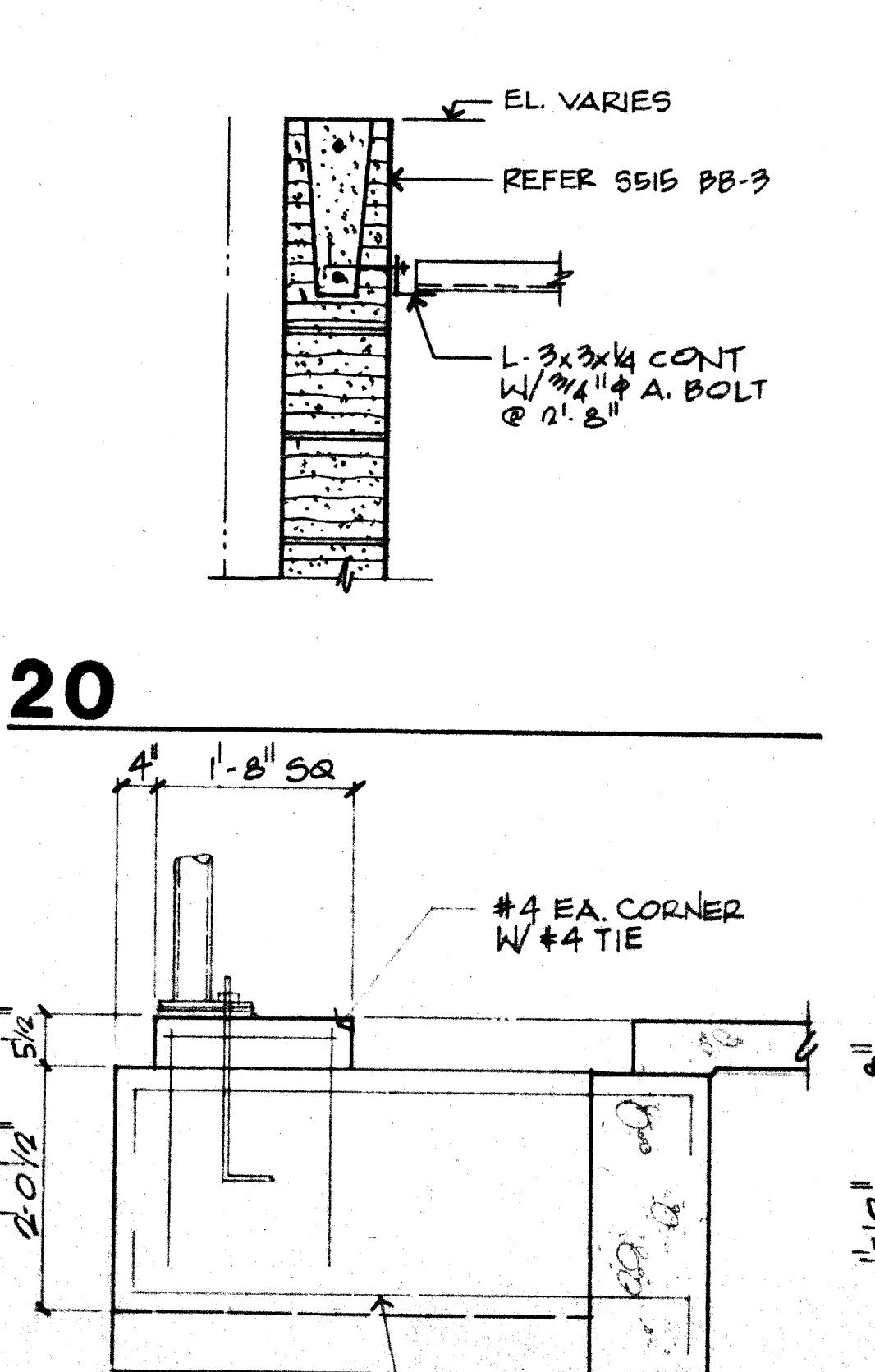
17



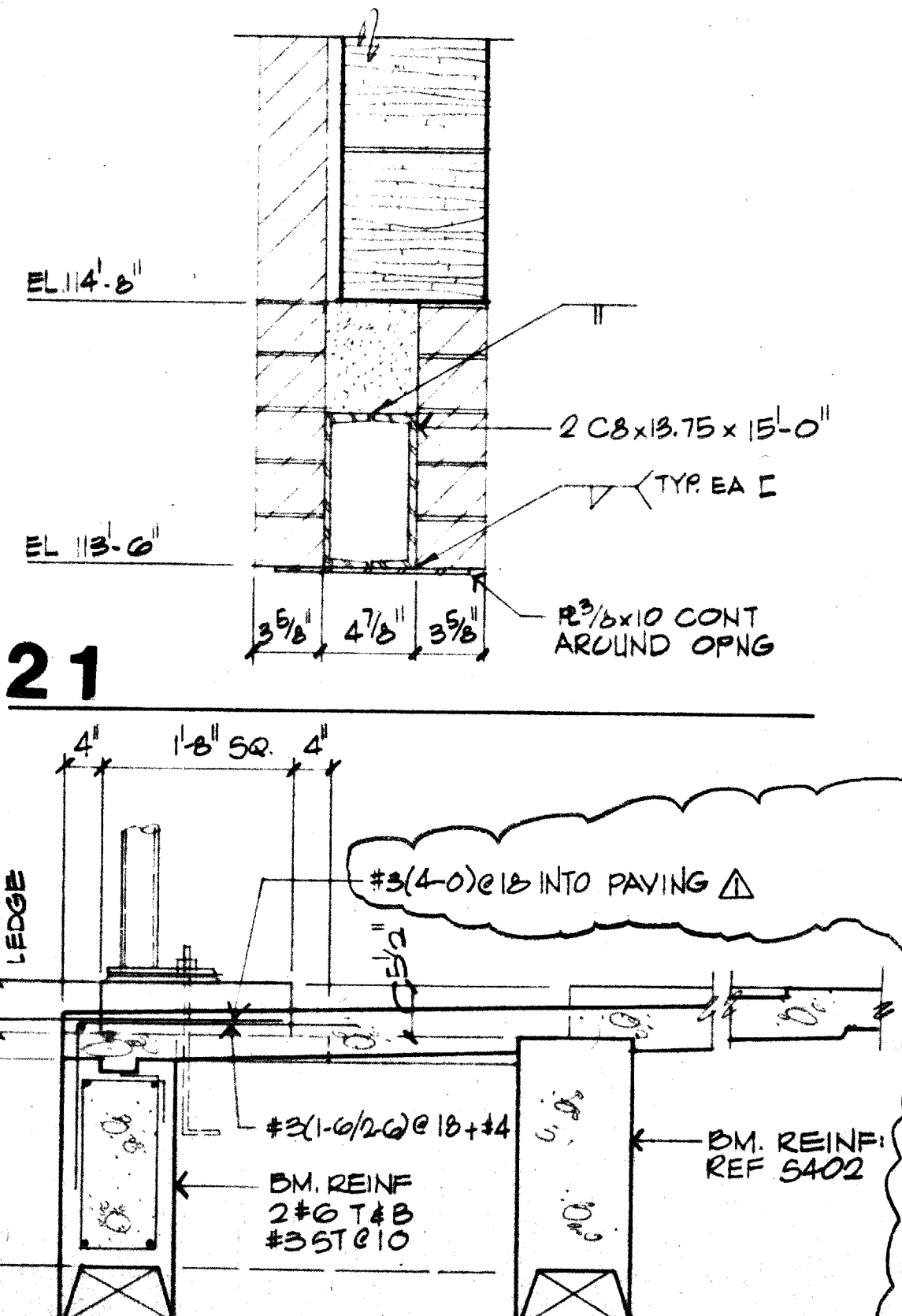
18



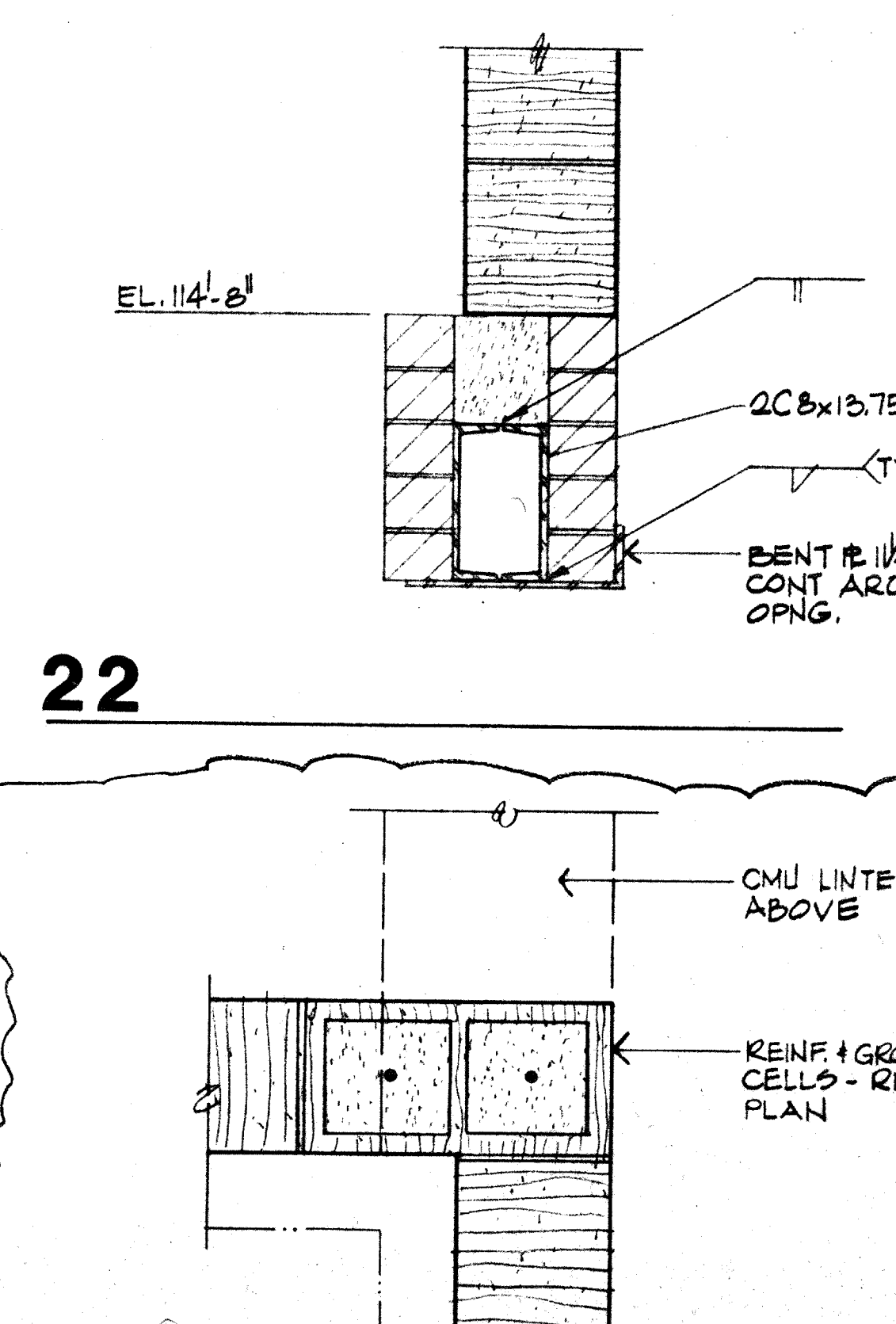
19



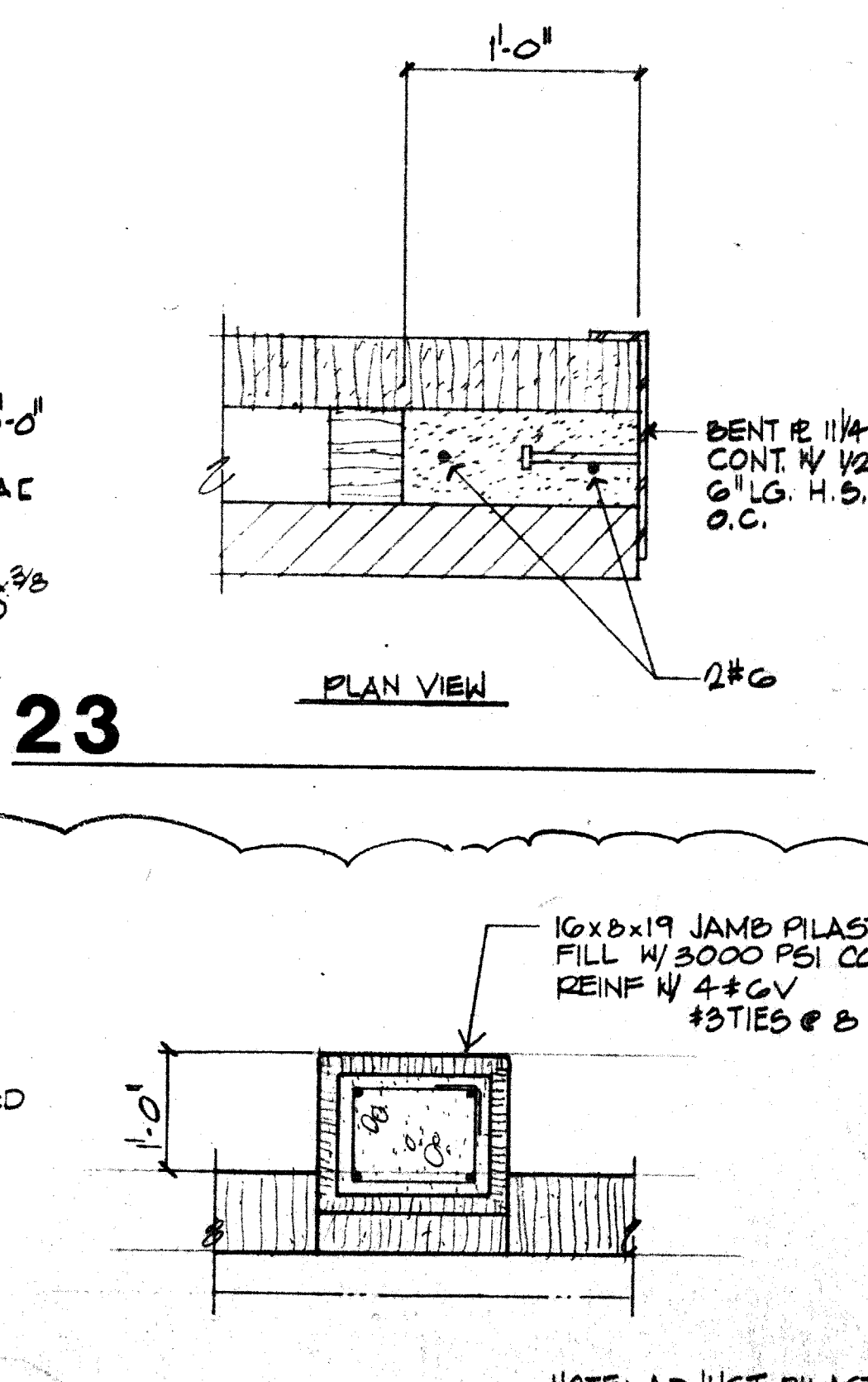
20



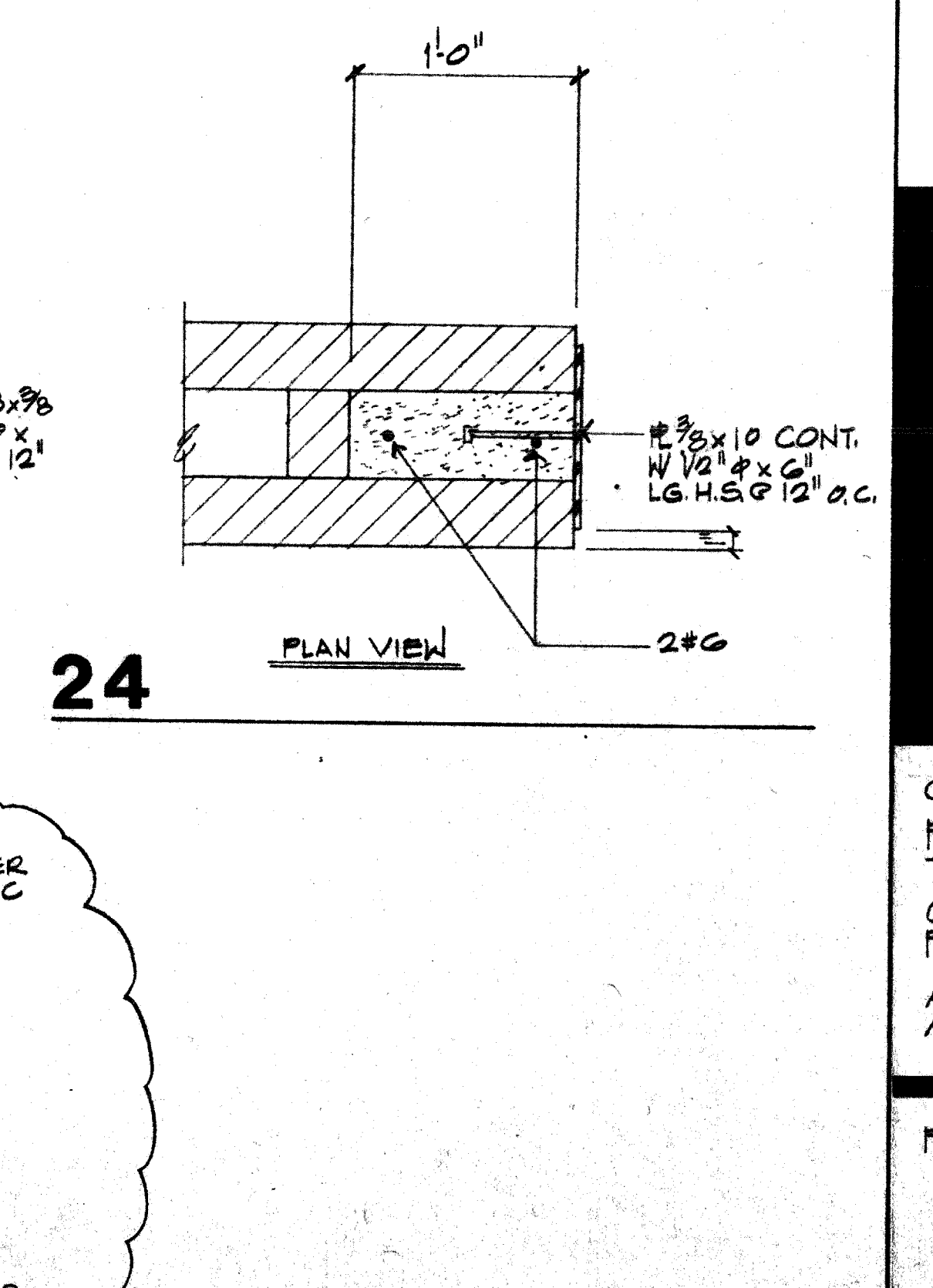
21



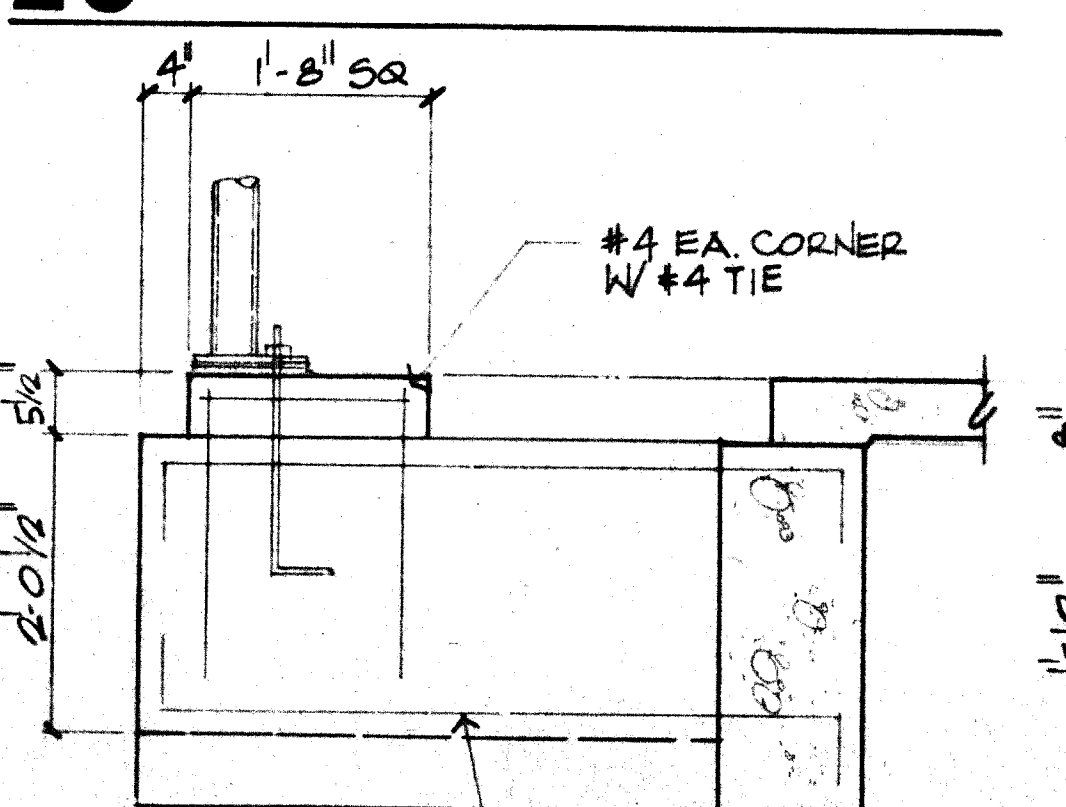
22



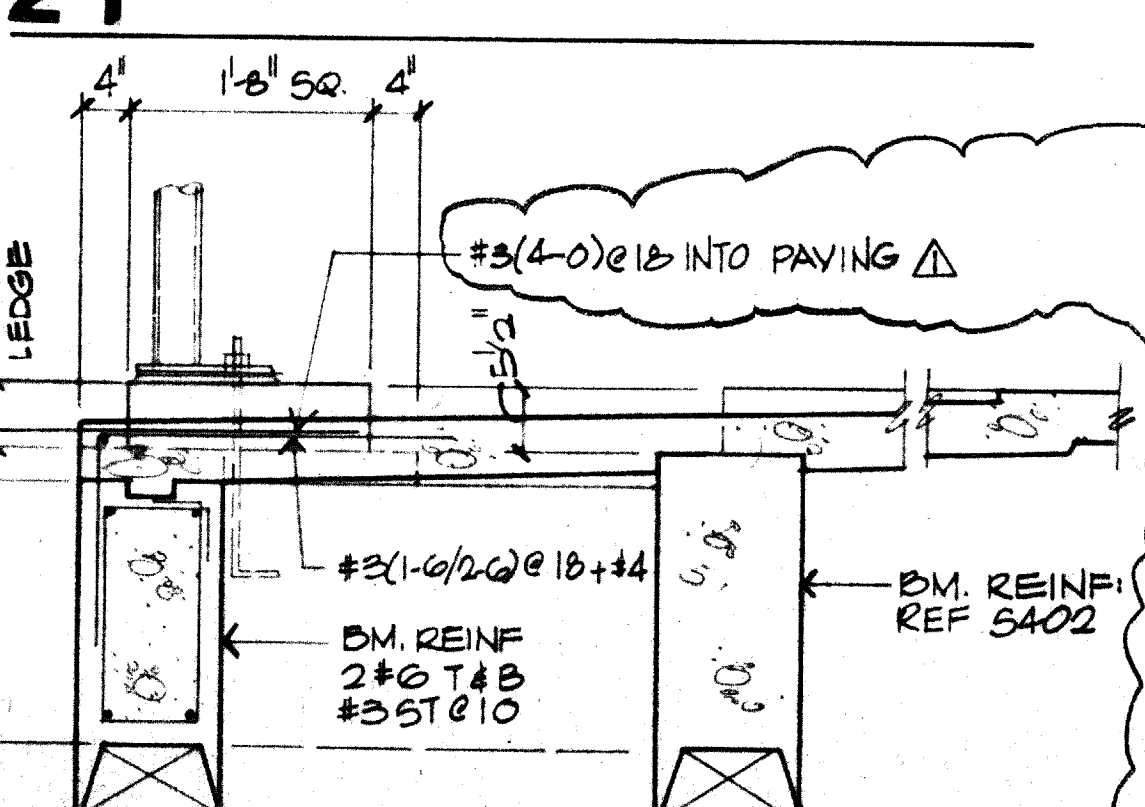
23



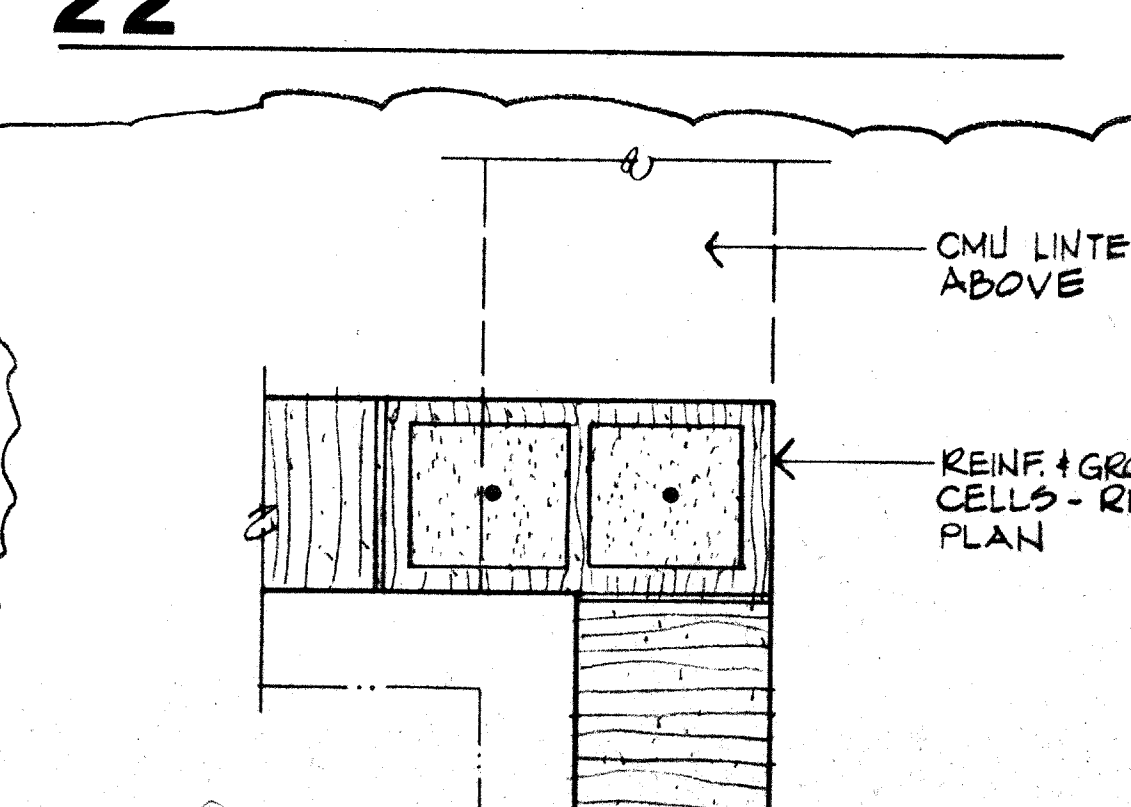
24



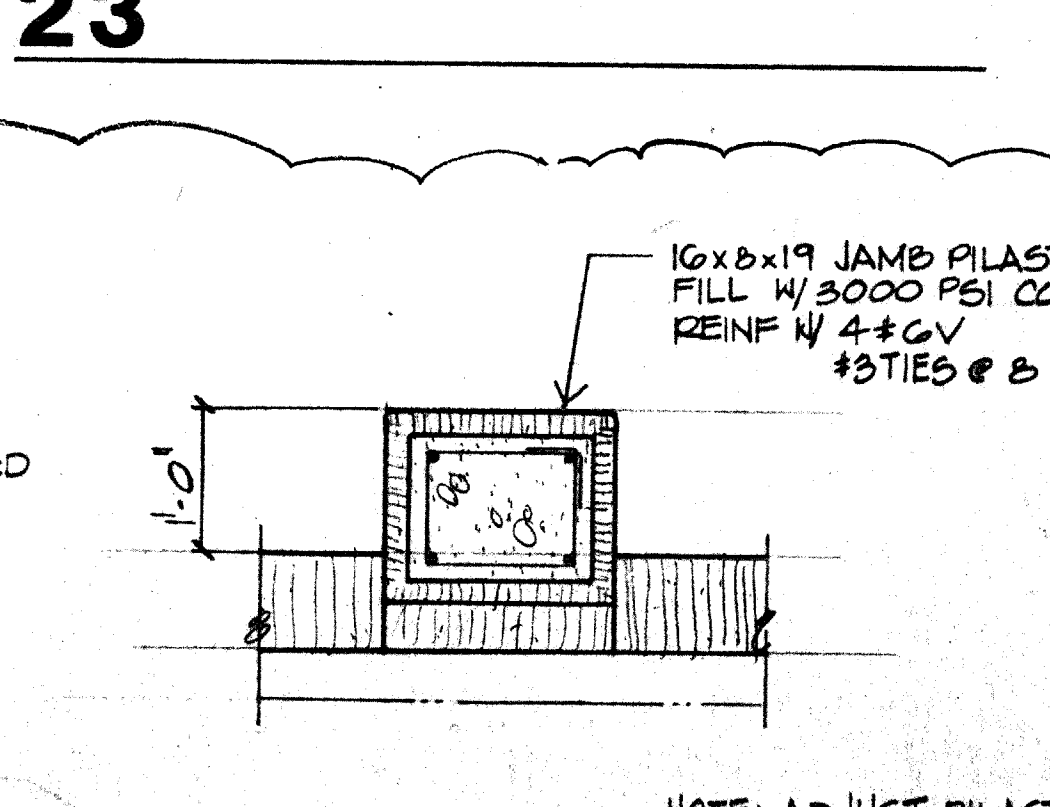
25



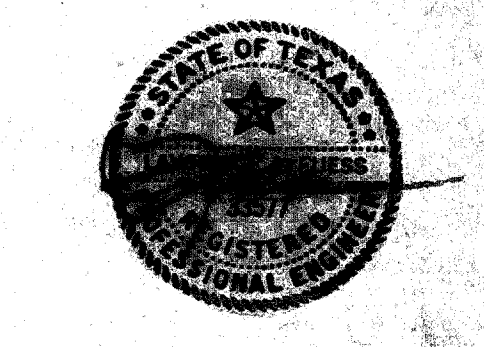
26



27



28 PILASTER ALTERNATE



L. A. Fuess & Co. Incorporated
structural engineers

1000 West Loop, Suite 100
Dallas, Texas 75219

DAVID A. DEARDAR, INC.
ARCHITECTURE
417 Westside Drive, Suite 1
P.O. Box 10100 • DALLAS, TEXAS 75210

CITY OF ADDISON
FIRE DEPARTMENT
CENTRAL OFFICES &
FIRE STATION #1
AIRPORT PARKWAY &
ADDISON ROAD, ADDISON, TX.

FOUNDATION DETAILS

PROJECT NO. SHEET NO.
88.00 S4

DATE
6/25/82

SCALE: 3/4" = 1'-0" (1/4" = 1'-0")

NOTE: ADJUST PILASTER
ON GRADE BEAM FROM
1'-4" TO 1'-7" W/ #3 @ 12"
#3 TIES @ 6"