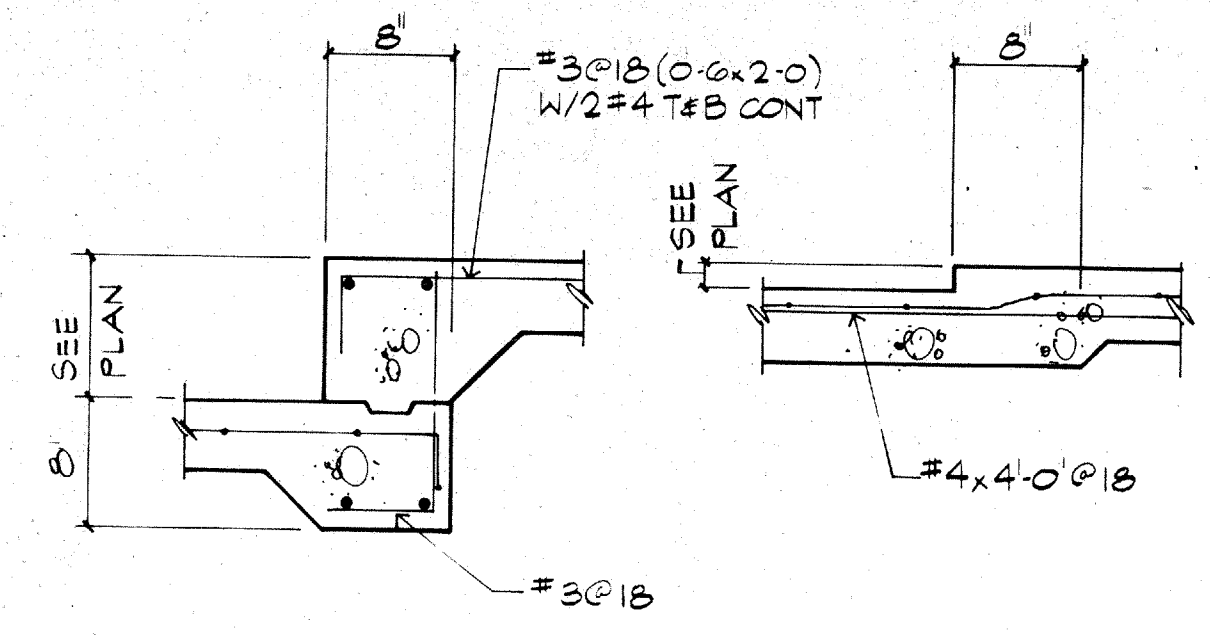
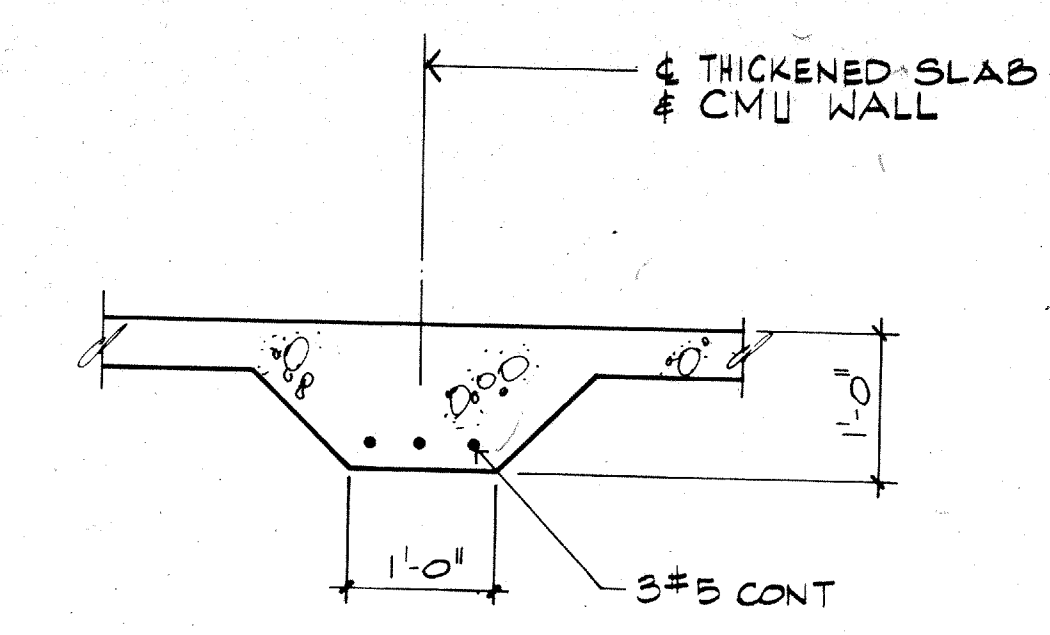


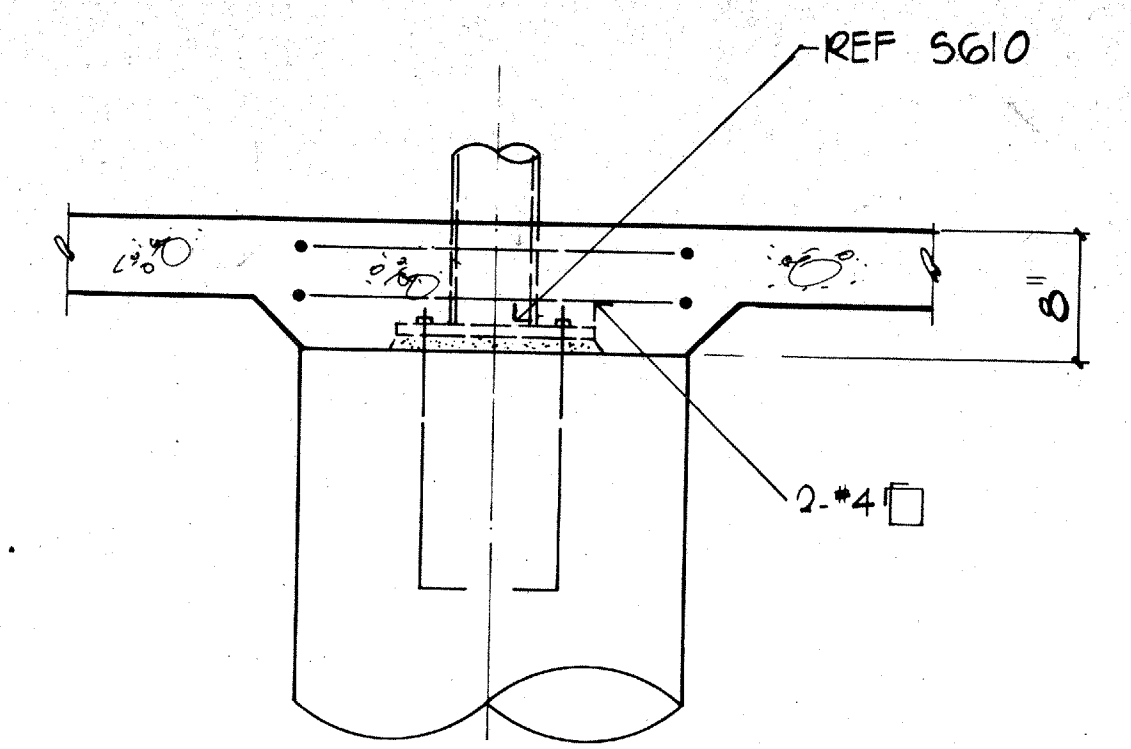
01 TYPICAL SLAB ON GRADE CONST. JOINT
NO SCALE 03302



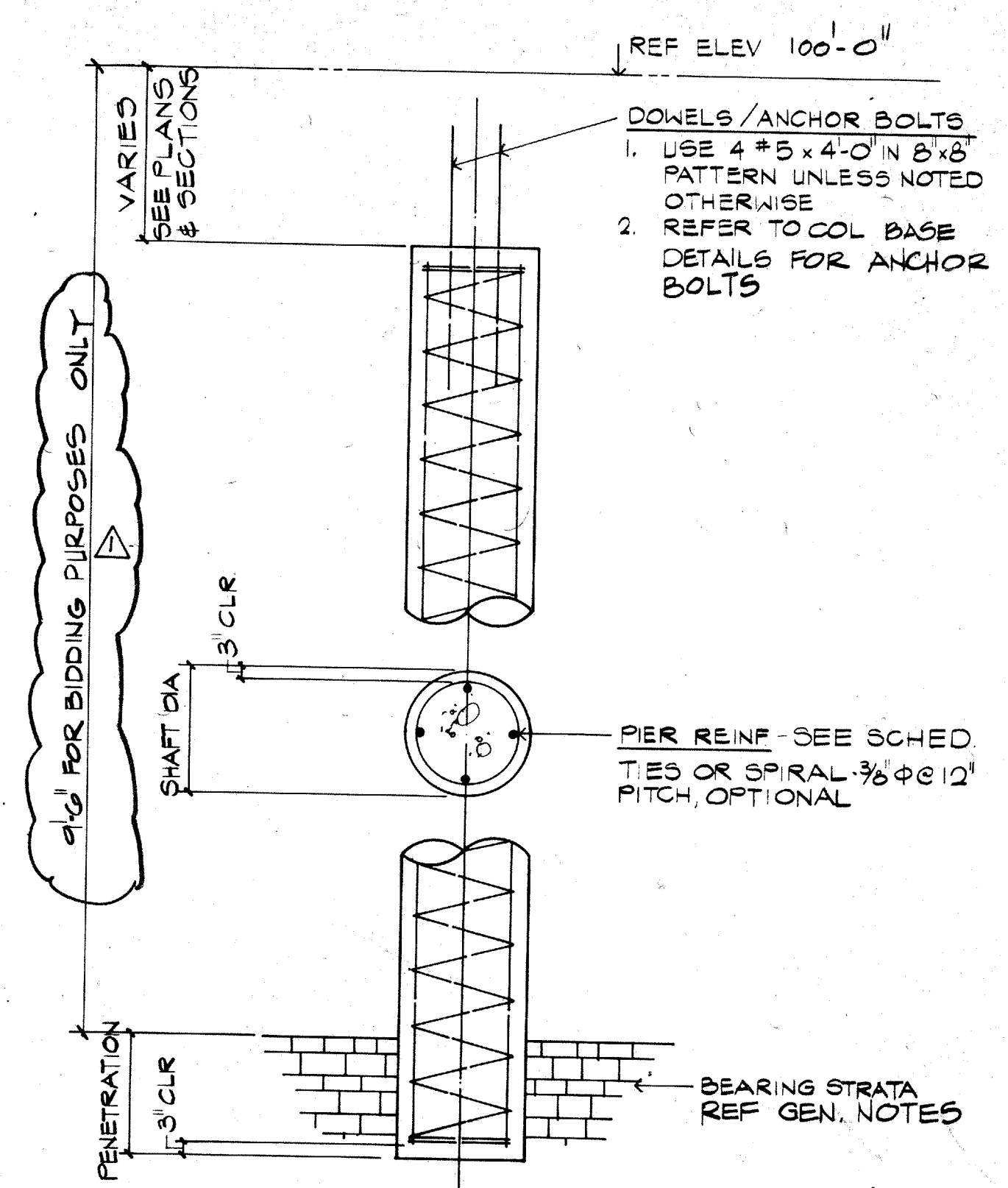
02 TYPICAL SLAB ON GRADE RECESSES
NO SCALE 03303



03 TYPICAL THICKENED SLAB
NO SCALE 03307



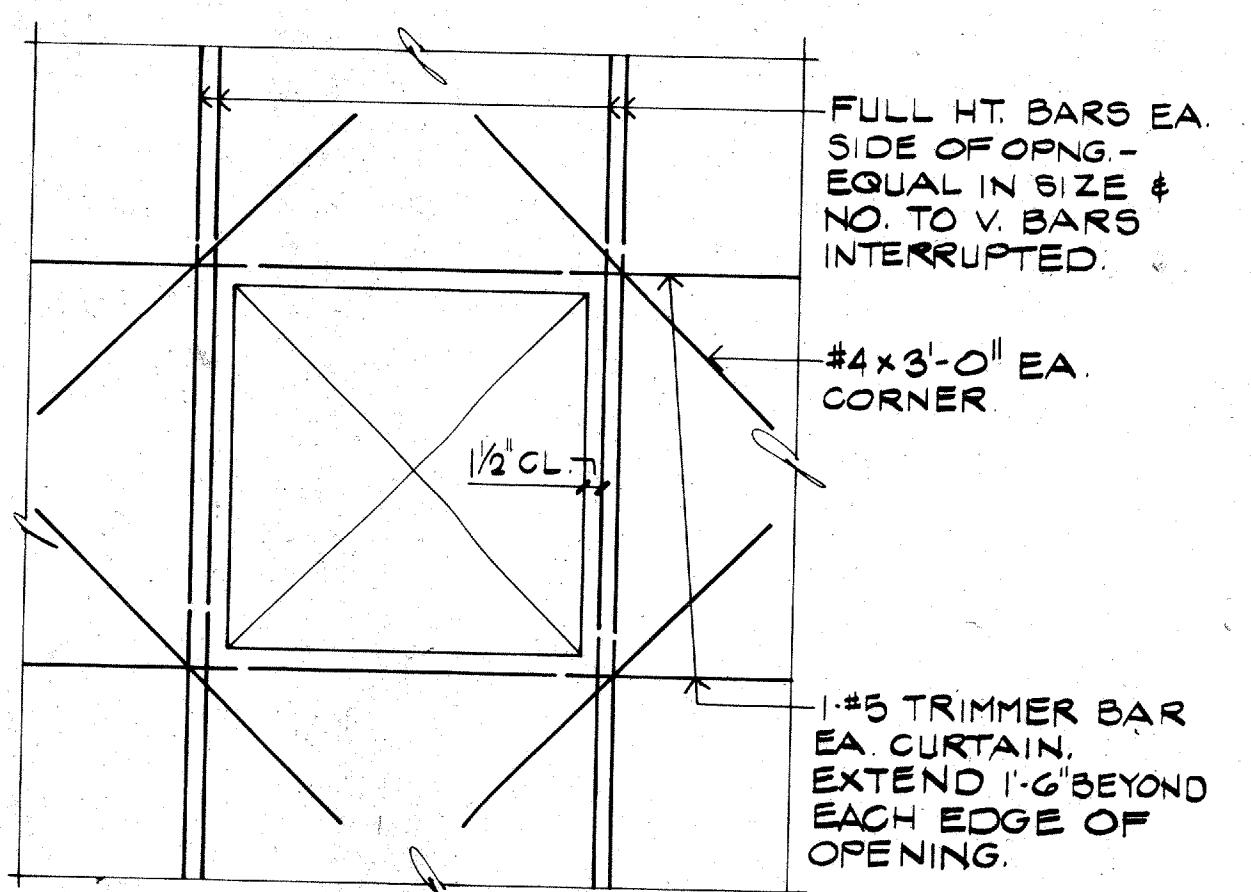
04 TYPICAL INTERIOR COLUMN BASE
NO SCALE 02353



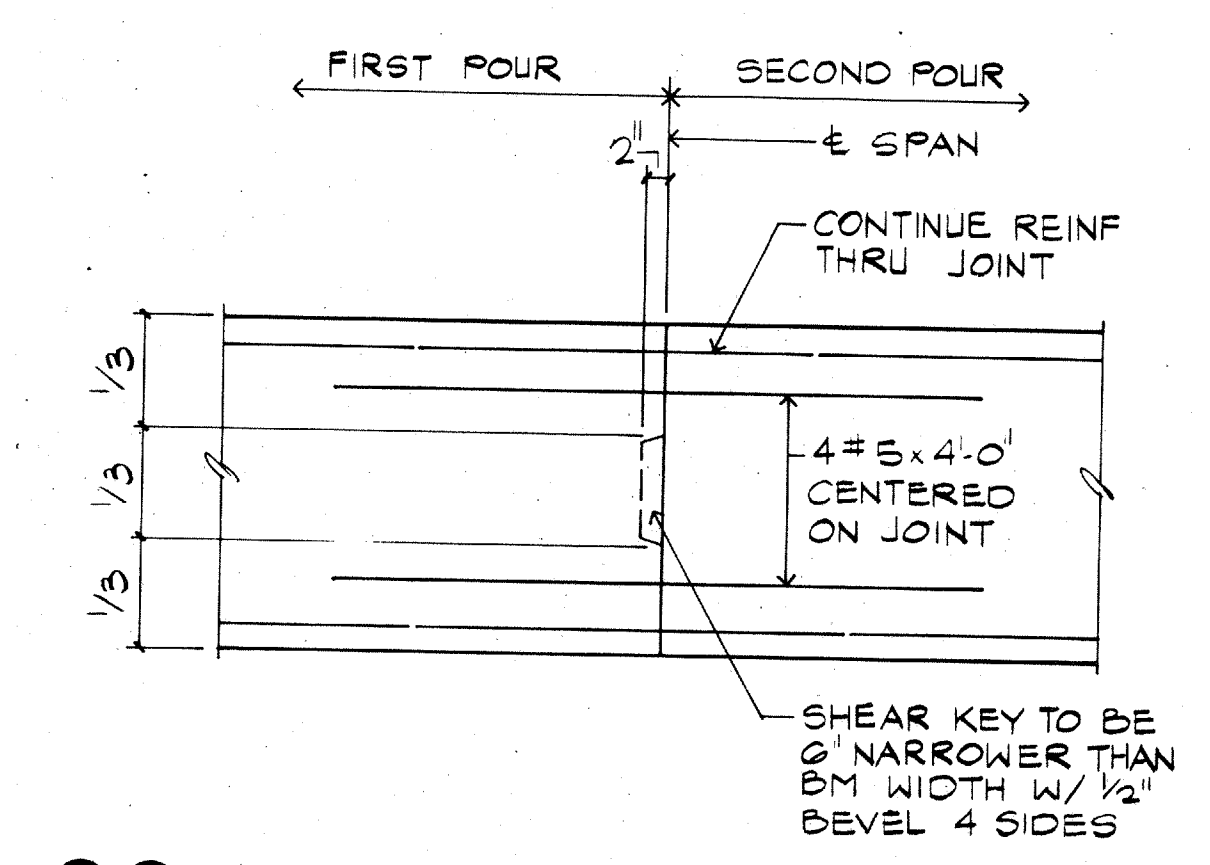
09 TYPICAL STRAIGHT SHAFT PIER
NO SCALE 02352

STRAIGHT SHAFT PIER SCHEDULE
02352A

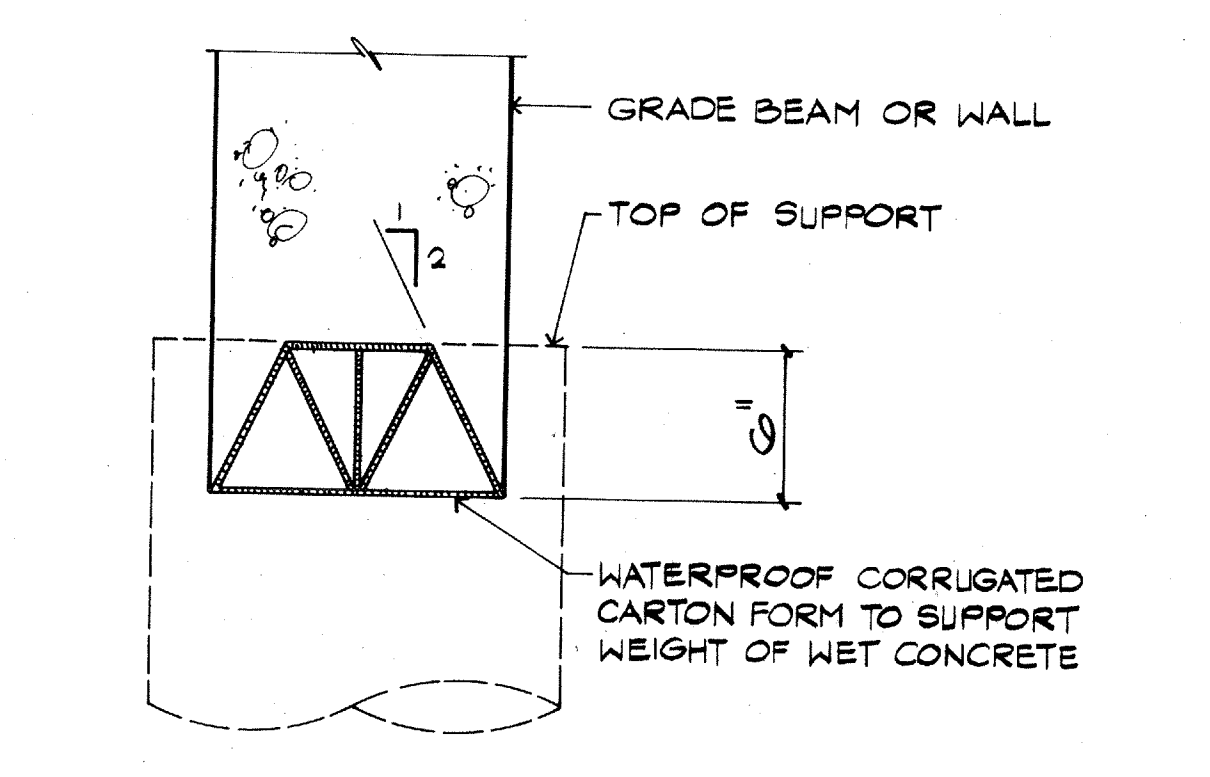
PIER MARK	SHAFT DIAMETER	SHAFT PENETRATION	REINFORCING	
			VERTICAL	TIES
P1	18"	3-0"	4#6	#3@18"



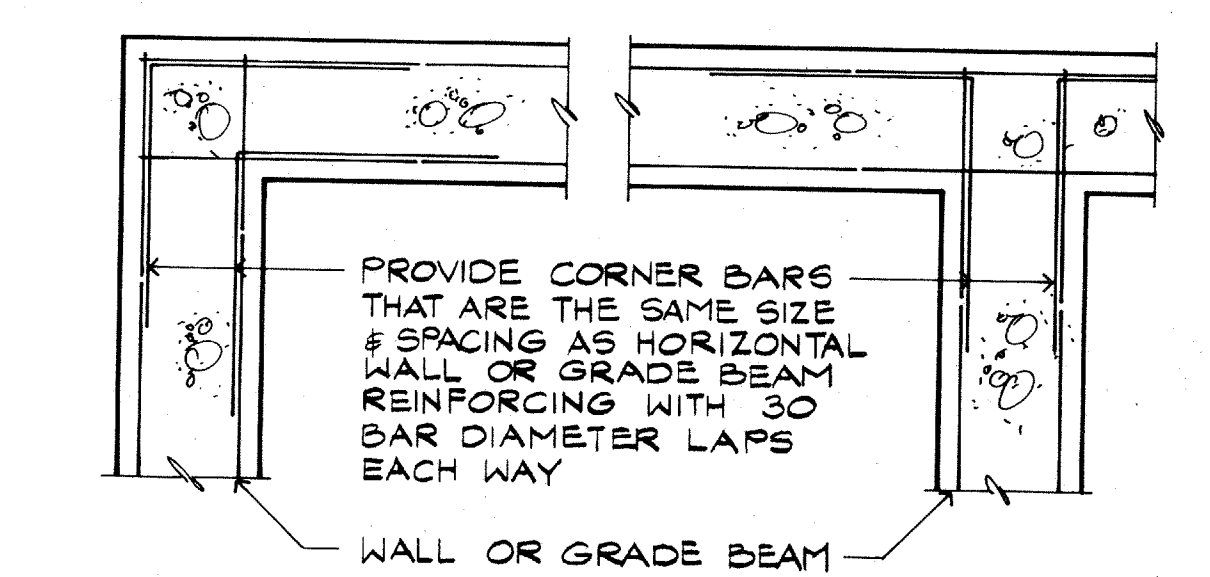
05 TYPICAL OPENING IN CONCRETE WALL
NO SCALE 03312



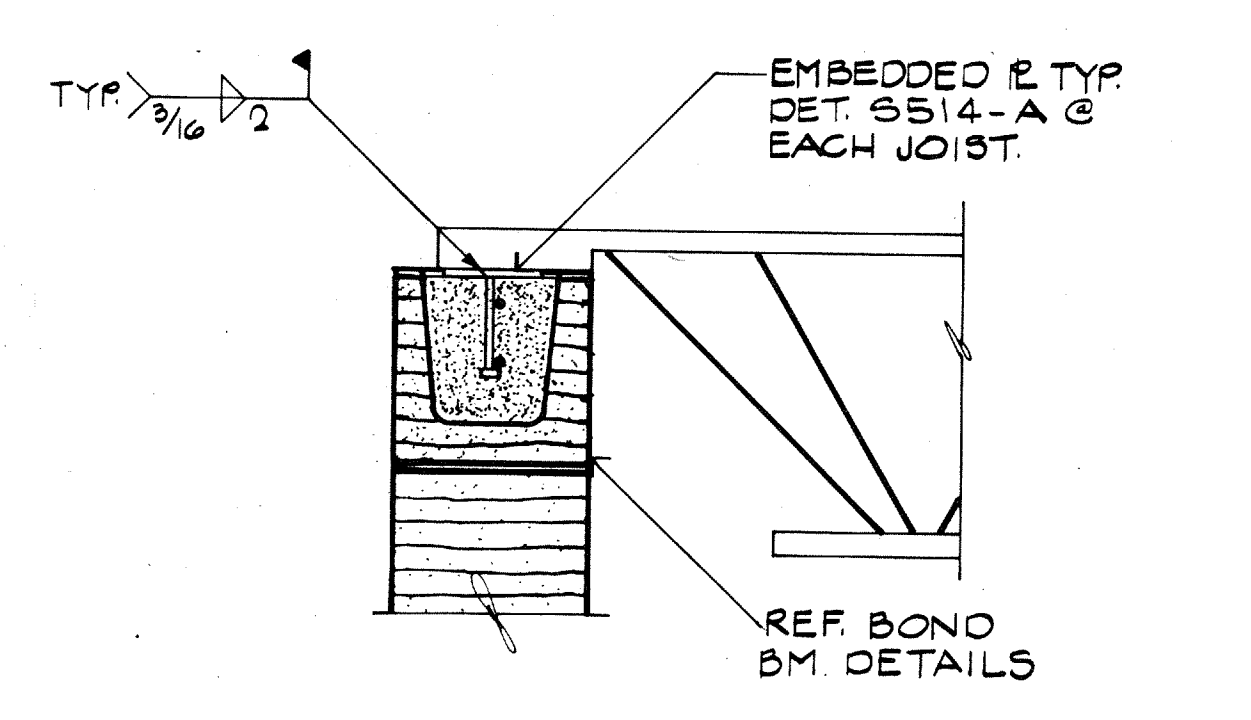
06 TYPICAL GRADE BEAM CONST. JOINT
NO SCALE 03301



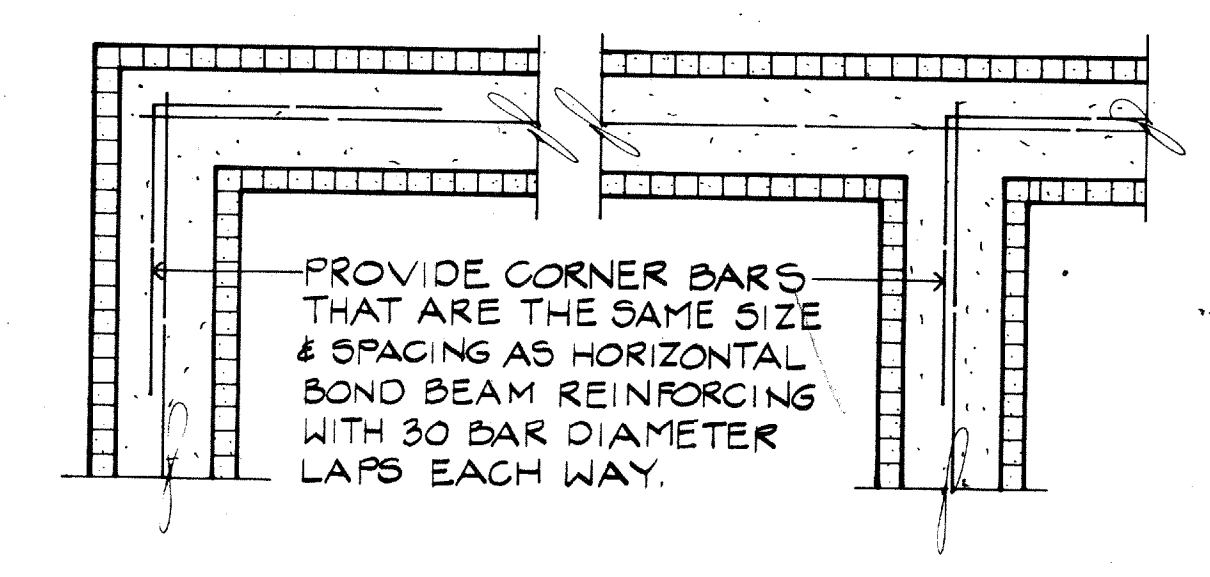
07 TYPICAL VOID CARTON
NO SCALE 03304



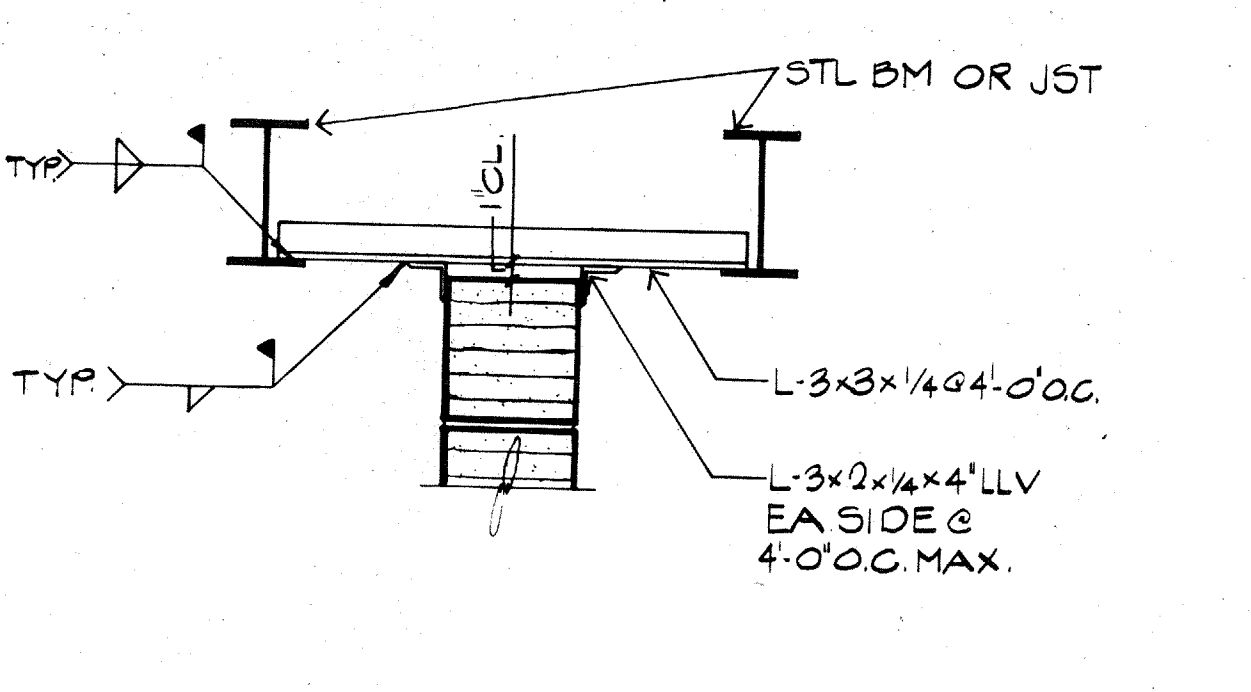
08 TYPICAL CORNER BARS
NO SCALE 03303



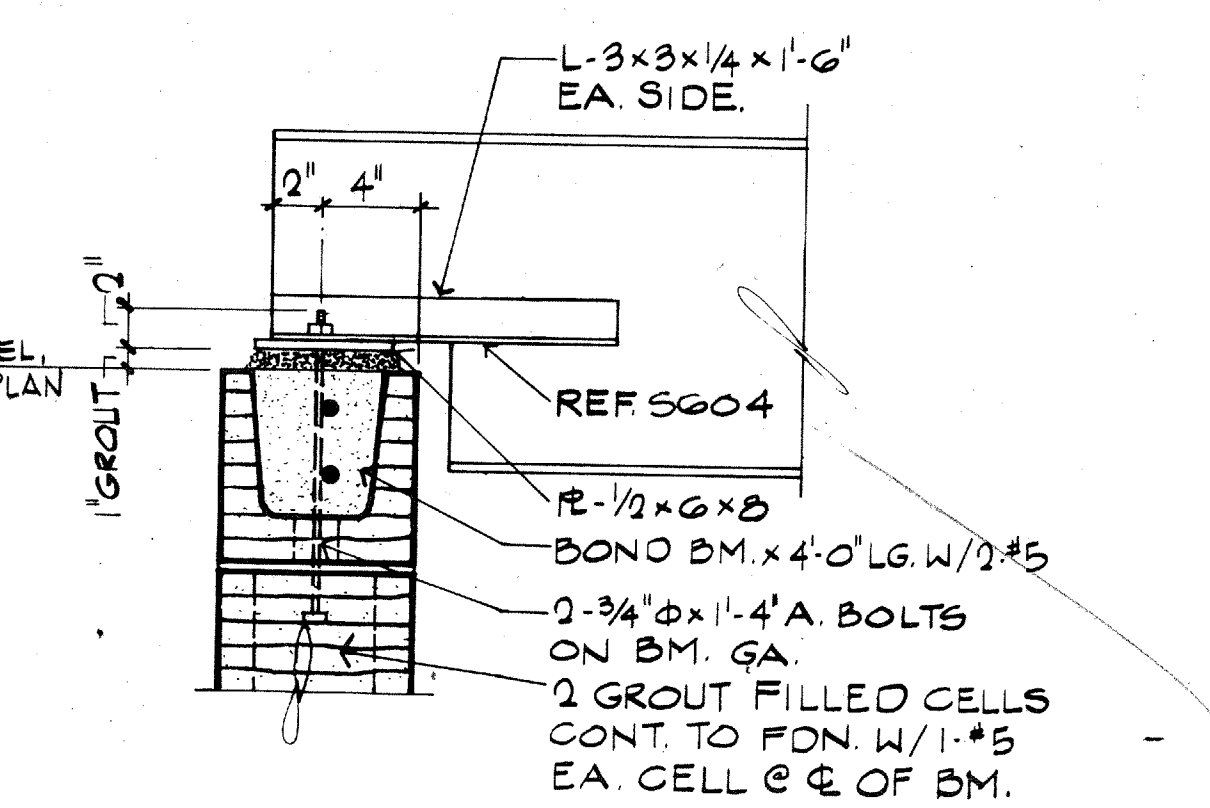
12 TYPICAL JOIST CONNECTION
NO SCALE 04213



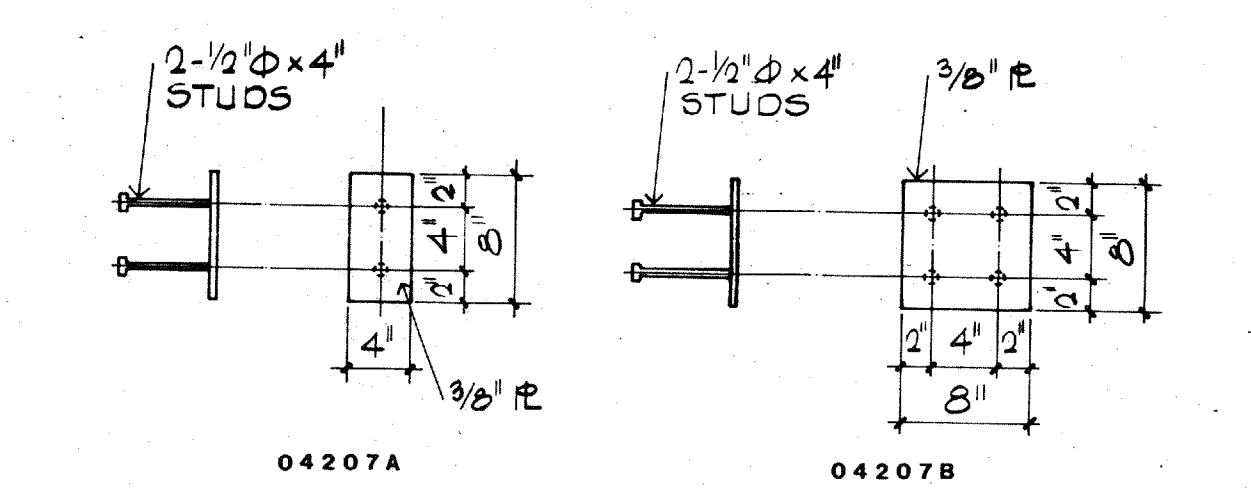
13 TYPICAL BOND BEAM INTERSECTIONS
NO SCALE 04208



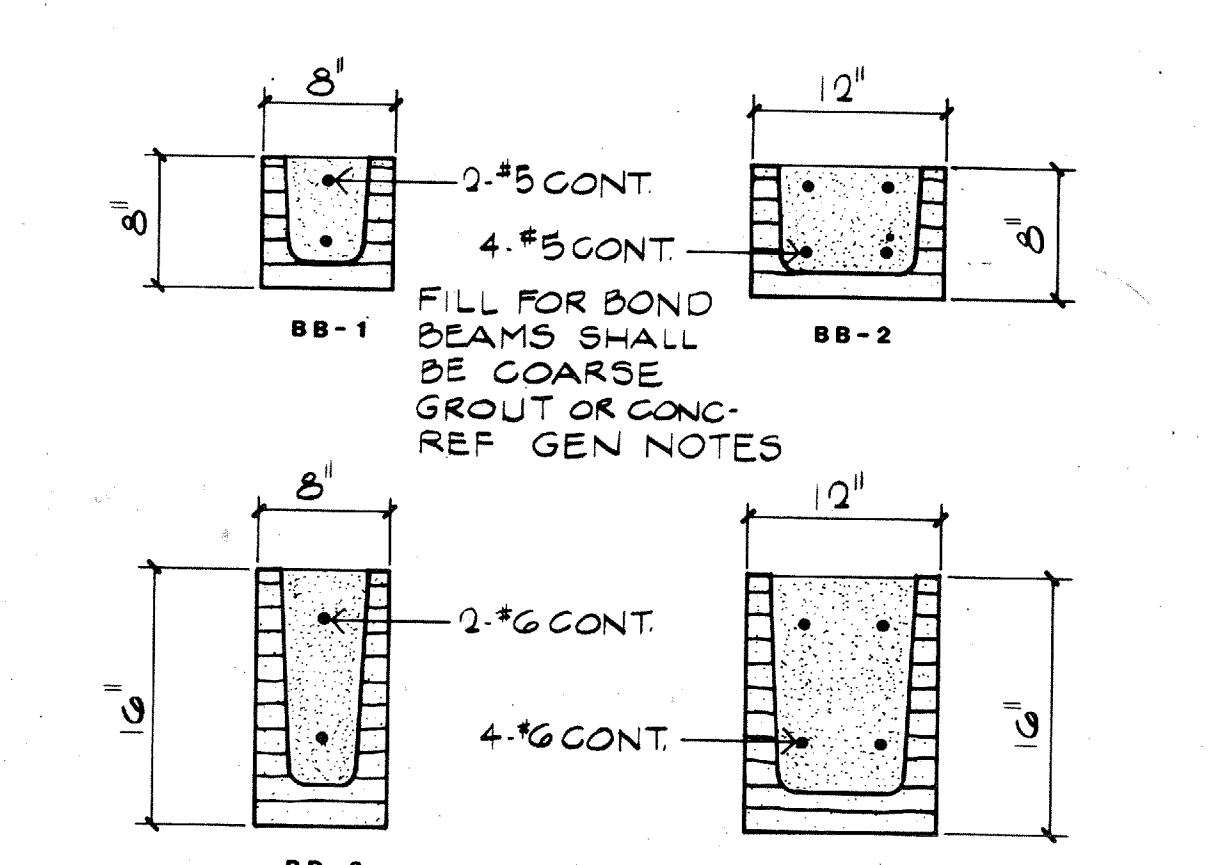
10 TYPICAL MASONRY WALL BRACING
NO SCALE 04210



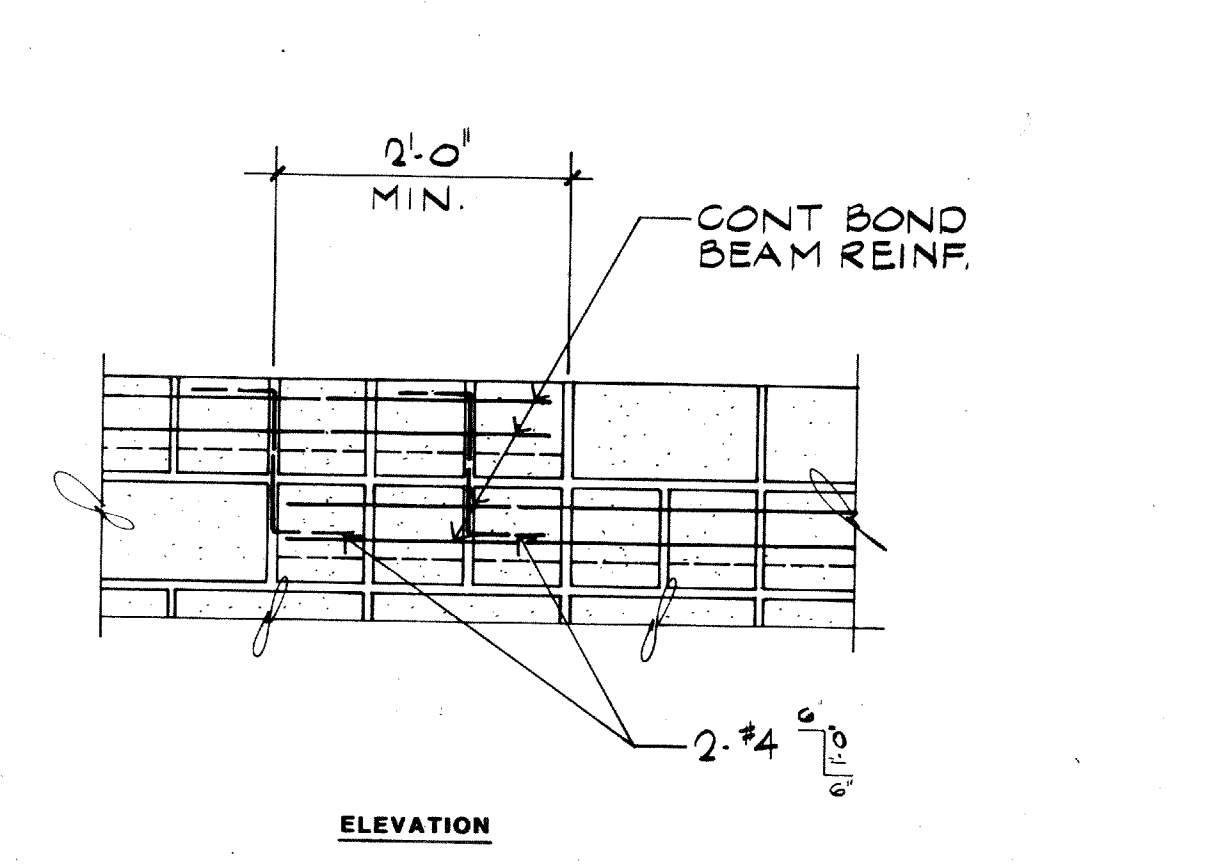
11 TYPICAL BEAM BEARING SEAT
NO SCALE 04209



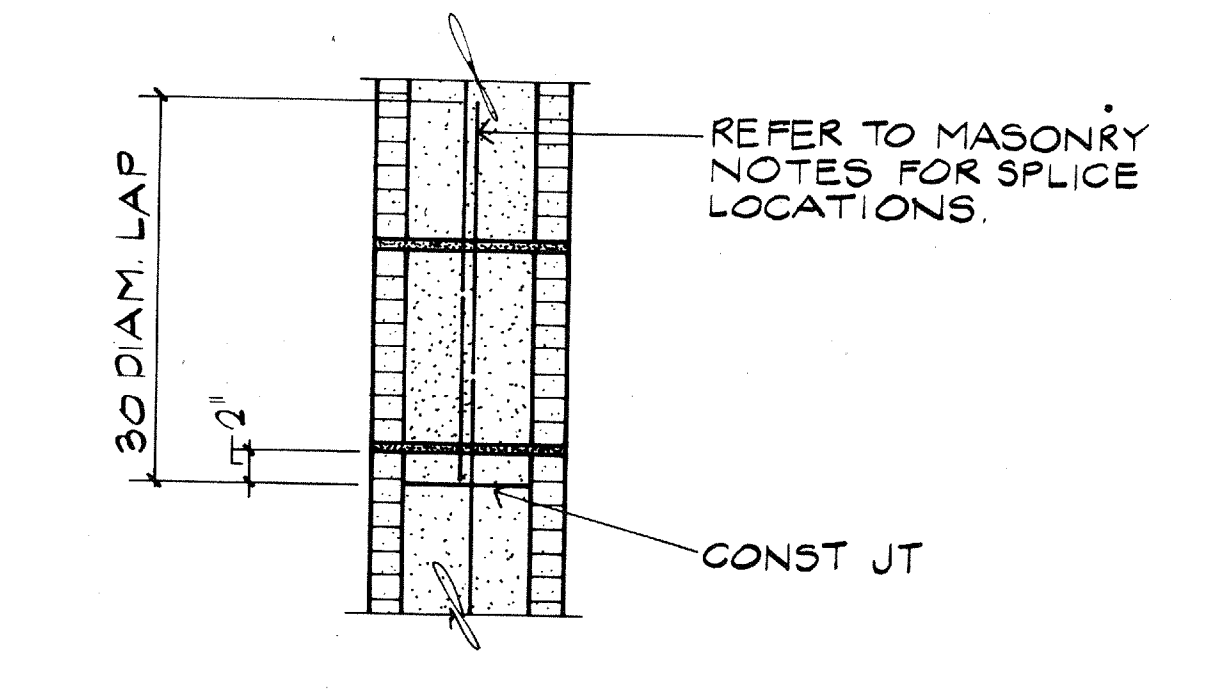
14 TYPICAL EMBEDDED PLATES (C M U)
NO SCALE 04207



15 TYPICAL MASONRY BOND BEAMS
NO SCALE 04208



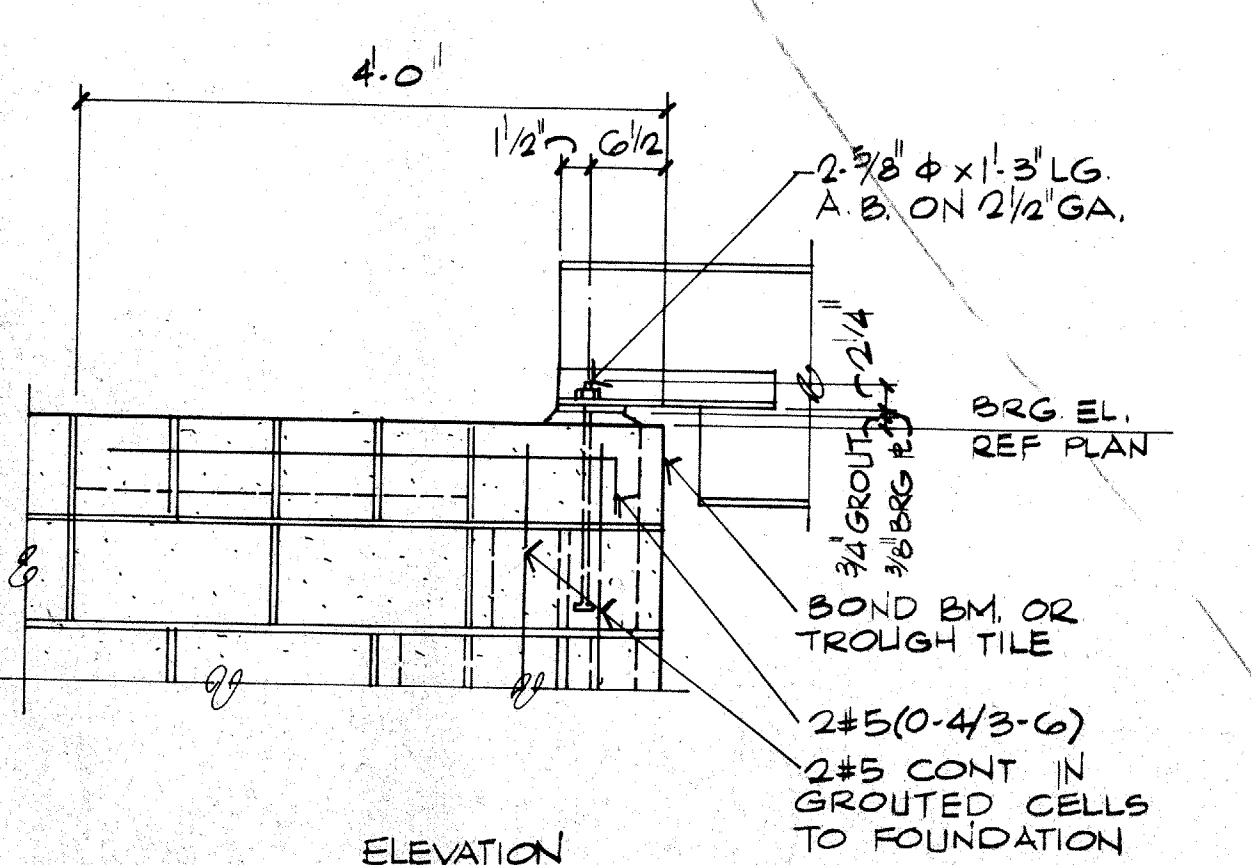
16 TYPICAL BOND BEAM STEP
NO SCALE 04205



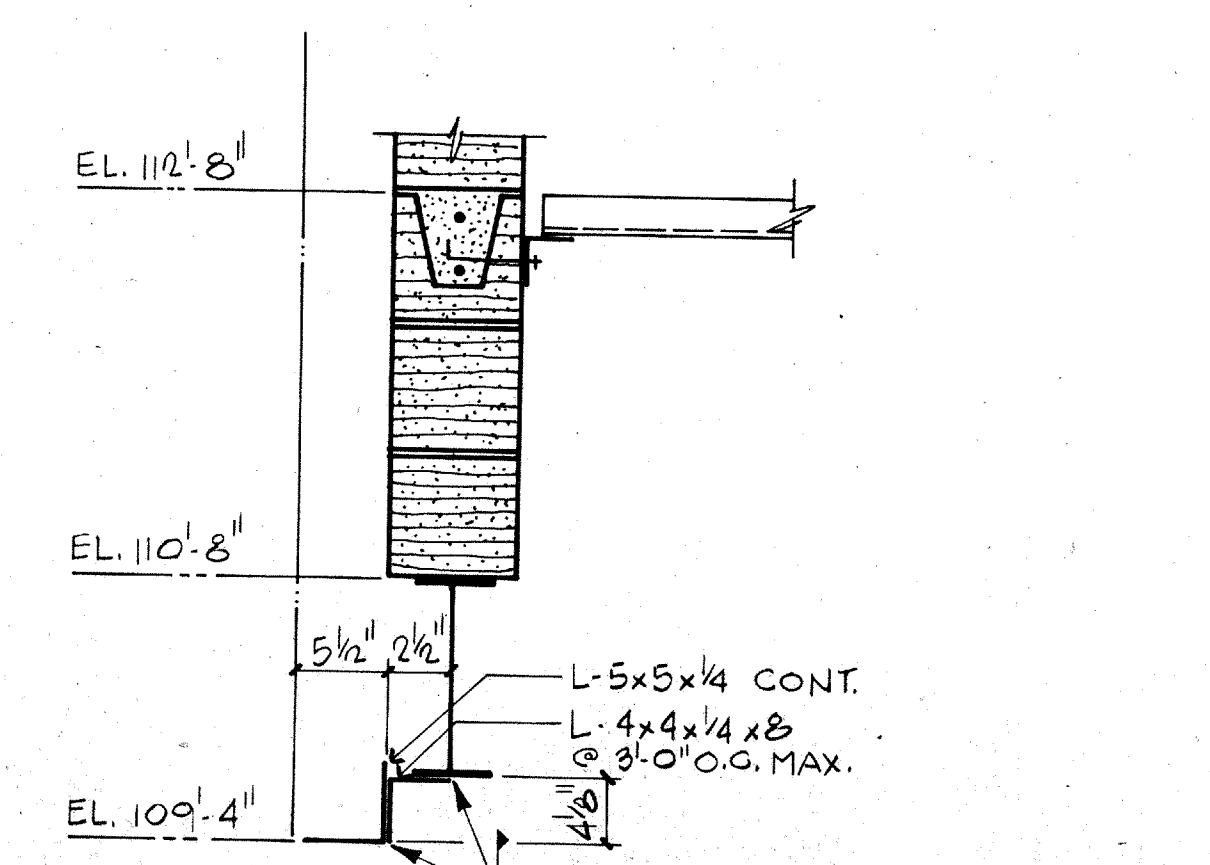
17 TYPICAL PILASTER CONST JT
NO SCALE 04204

CMU LINTEL SCHEDULE
04201

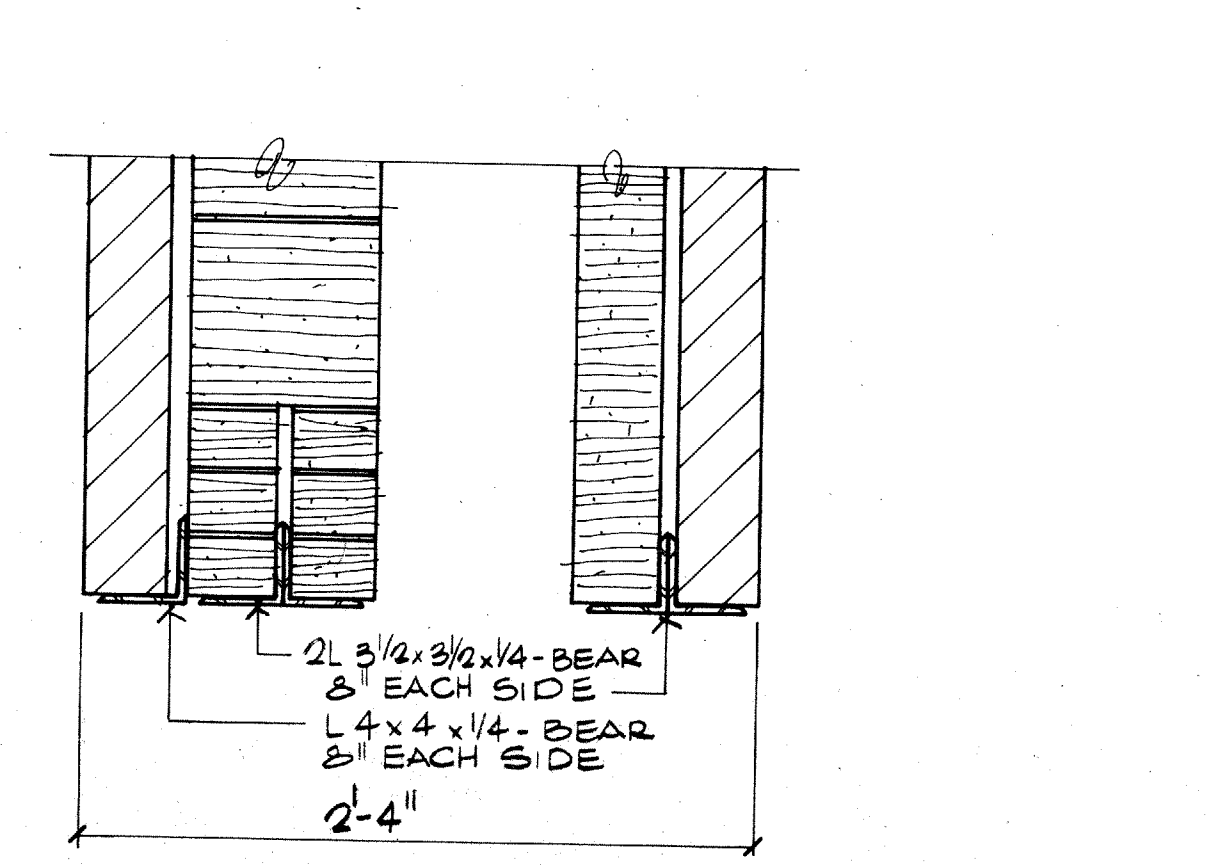
WALL THICKNESS	MAX. SPAN OR MARK NO.	LINTEL DEPTH	TOP REINF.	BOTTOM REINF.
8"	4'-0"	8"	1-#4	1-#4
8"	6'-0"	8"	1-#4	2-#4
8"	8'-0"	16"	2-#4	2-#4
8"	10'-0"	16"	2-#4	2-#4
12"	4'-0"	8"	2-#4	2-#4
12"	6'-0"	8"	2-#4	2-#5
12"	8'-0"	16"	2-#4	2-#5
12"	10'-0"	16"	2-#4	2-#5



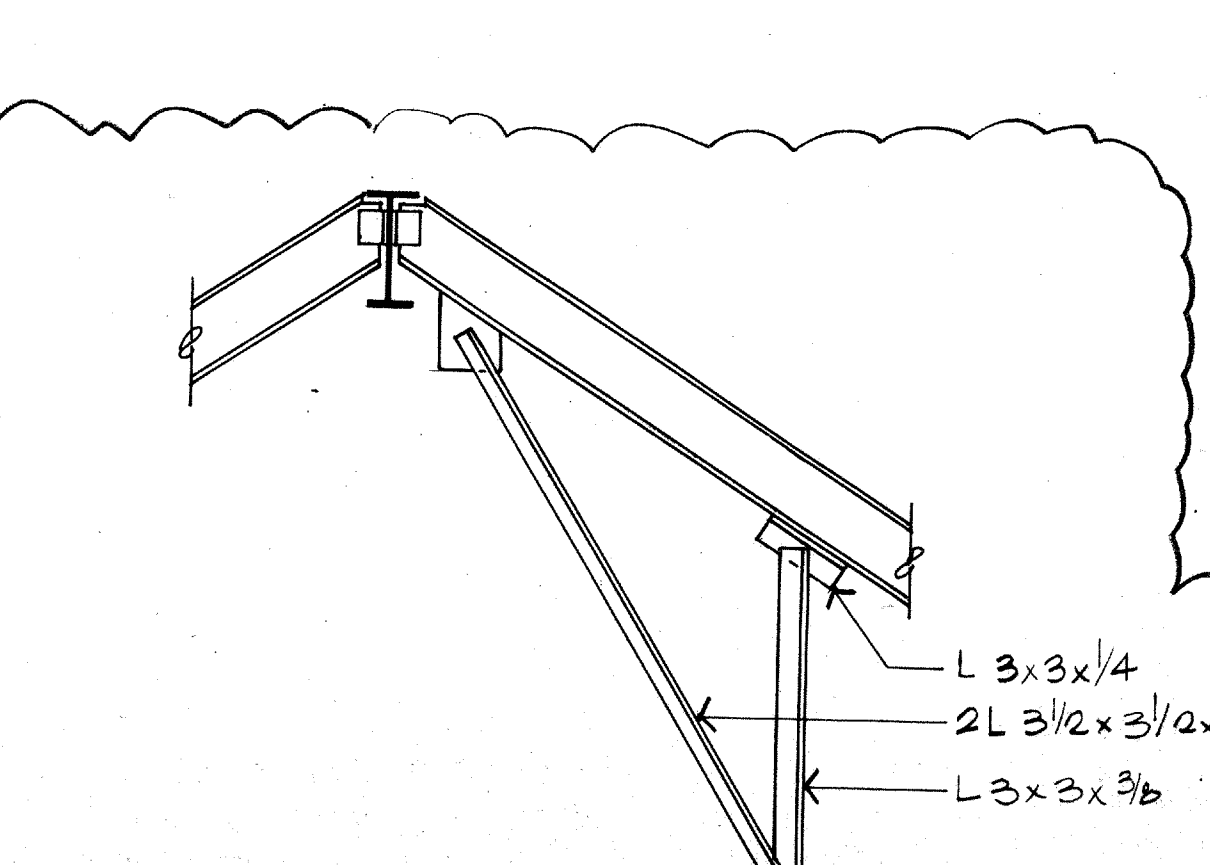
18 TYPICAL BEAM CONNECTION
NO SCALE



19 TYPICAL ENTRY LINTEL DETAIL
1/2" = 1'-0"

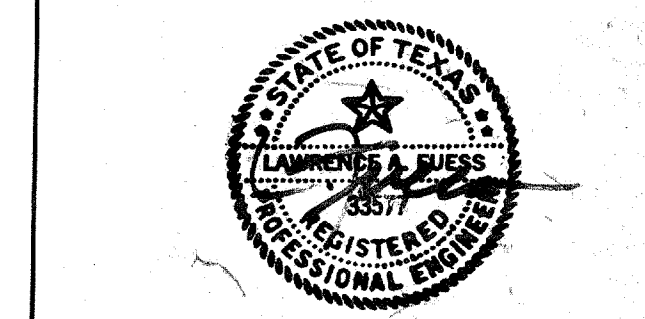


20 TYPICAL ENTRY LINTEL DETAIL
1/2" = 1'-0"



21 TYPICAL STOREFRONT BRACING

- NOTES:
1. GROUTED LINTEL (TROUGH) BLOCKS SHALL EXTEND 8" BEYOND FACE OF OPENING EACH SIDE.
 2. OPENINGS WIDER THAN 6'-0" SHALL HAVE THE FIRST VERTICAL CELL EACH SIDE FILLED WITH GROUT UP TO THE LINTEL BEARING LEVEL.
 3. TOP BARS SHALL BE HELD IN PLACE WITH #2 CLOSED STIRRUPS SPACED AT 24" O.C.
 4. PRECAST CONCRETE LINTELS OF THE SAME SIZE AND LENGTH MAY BE SUBSTITUTED EXCEPT THAT TOP BARS SHALL BE PROVIDED EQUAL TO SCHEDULED BOTTOM BARS.



L. A. Fuess & Co. Incorporated
structural engineers

3000 Lyndon Ave., Suite 100 Dallas, Texas 75219 214-622-7610 LP No. 17162



4310 Westside Drive • Suite E Dallas, Texas 75207 • (214) 528-2842

CITY OF ADDISON FIRE DEPARTMENT

CENTRAL OFFICES # FIRE STATION NO. 1

AIRPORT PARKWAY # ADDISON ROAD, ADDISON, TX.

CONCRETE & MASONRY DETAILS

PROJECT NO. 82-06 SHEET NO.

DATE 6/25/82

S5