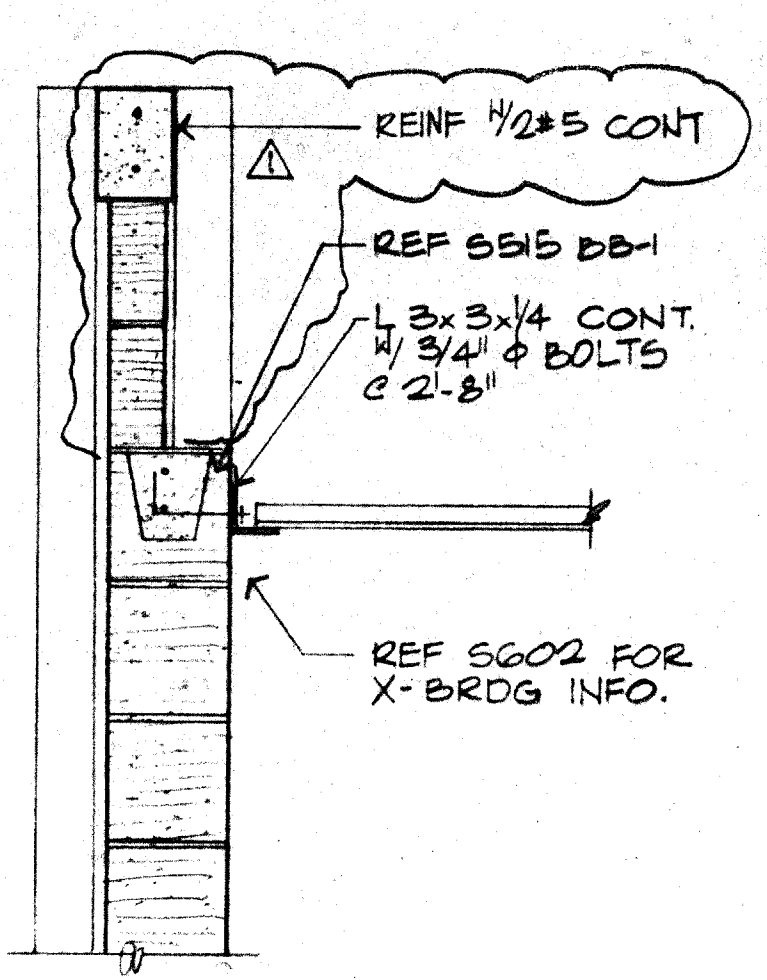
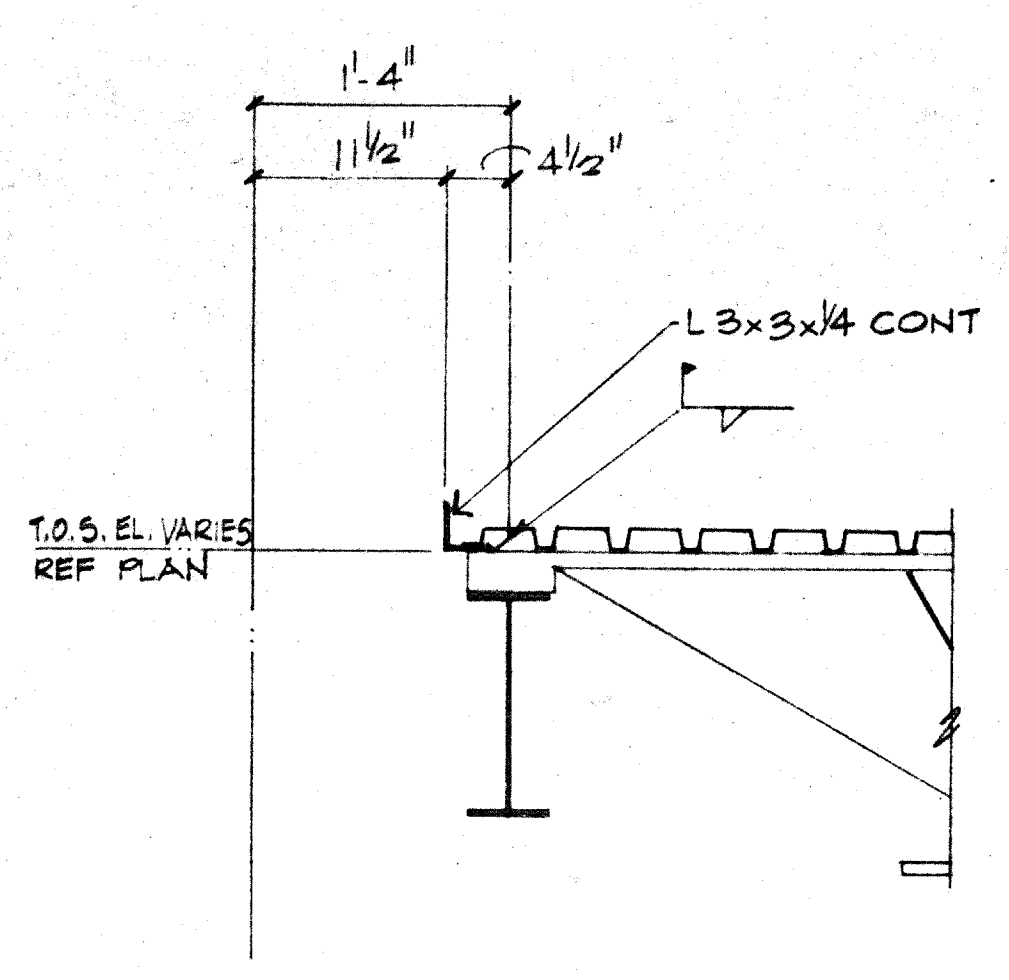


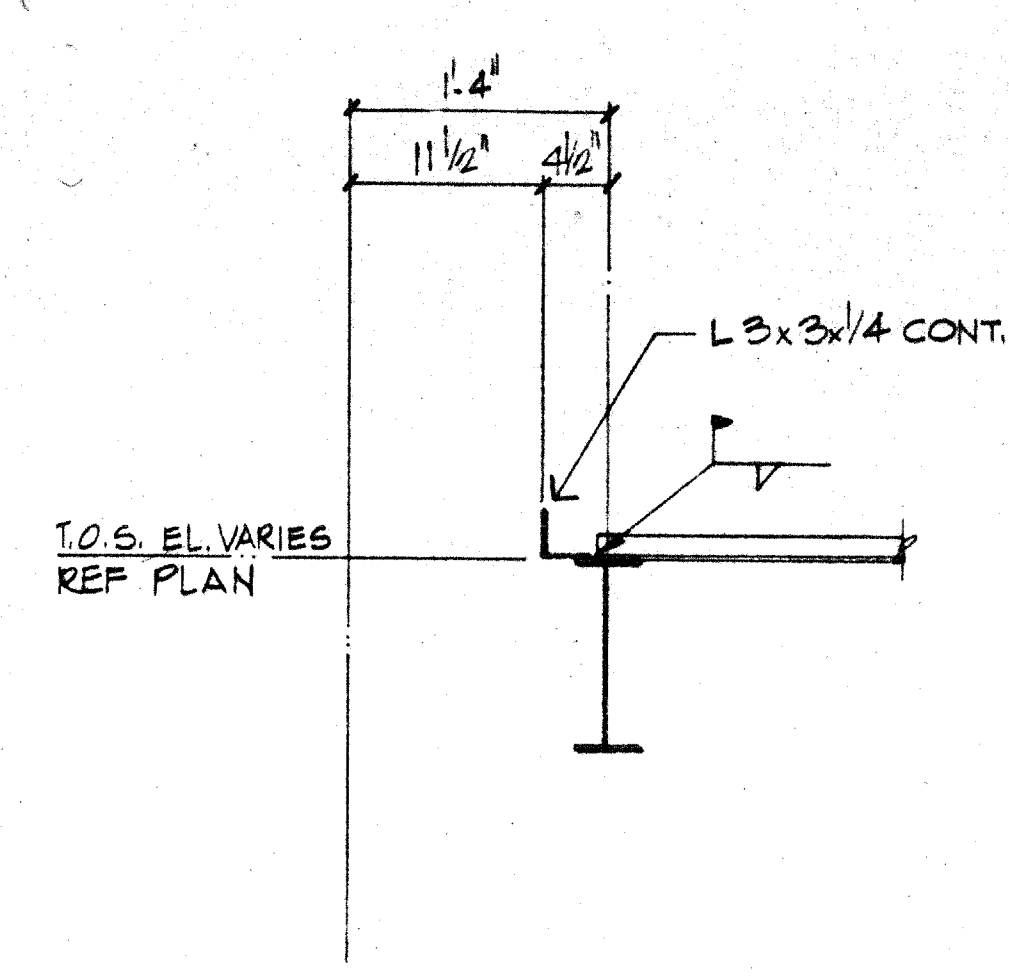
01



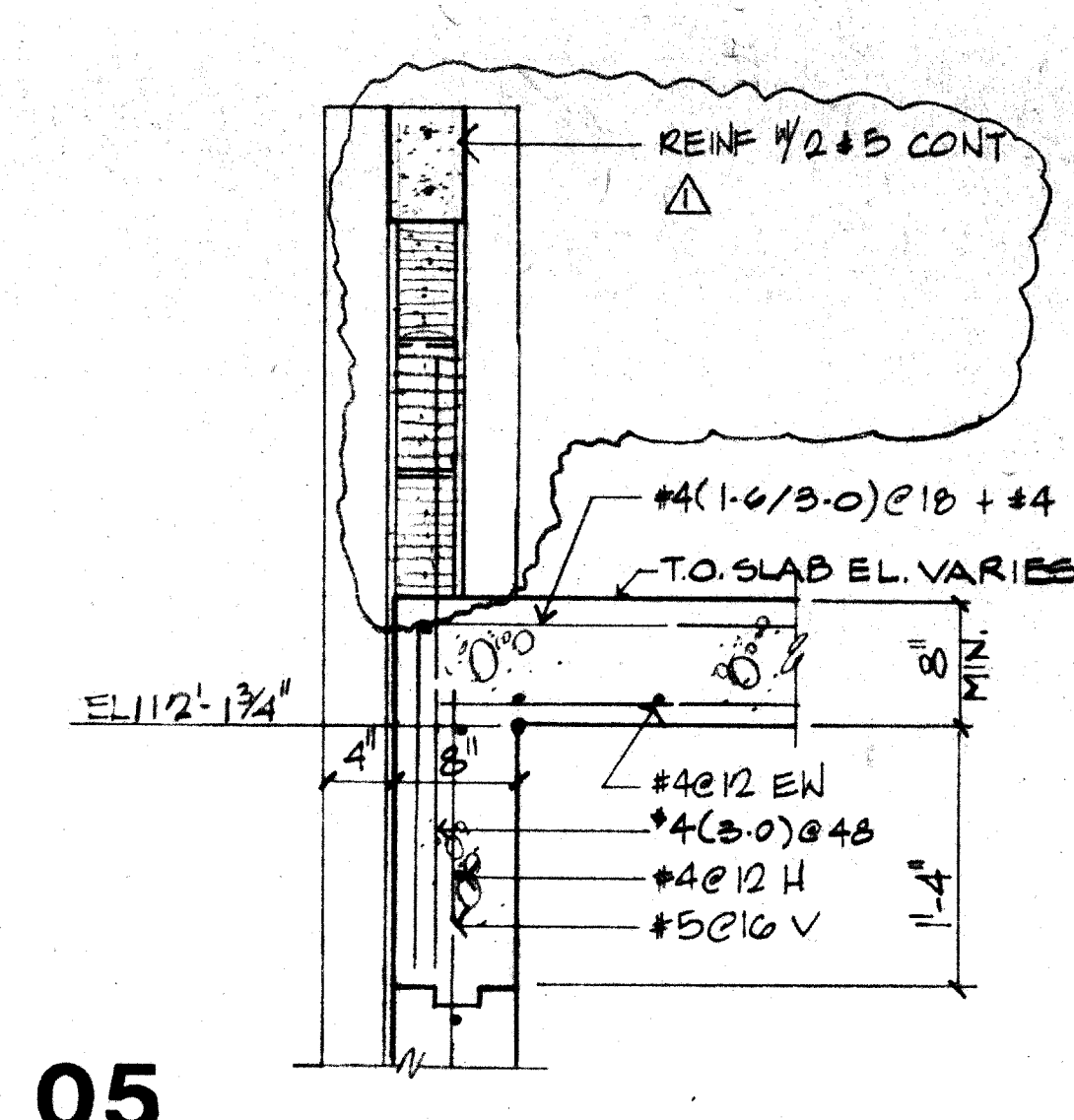
02



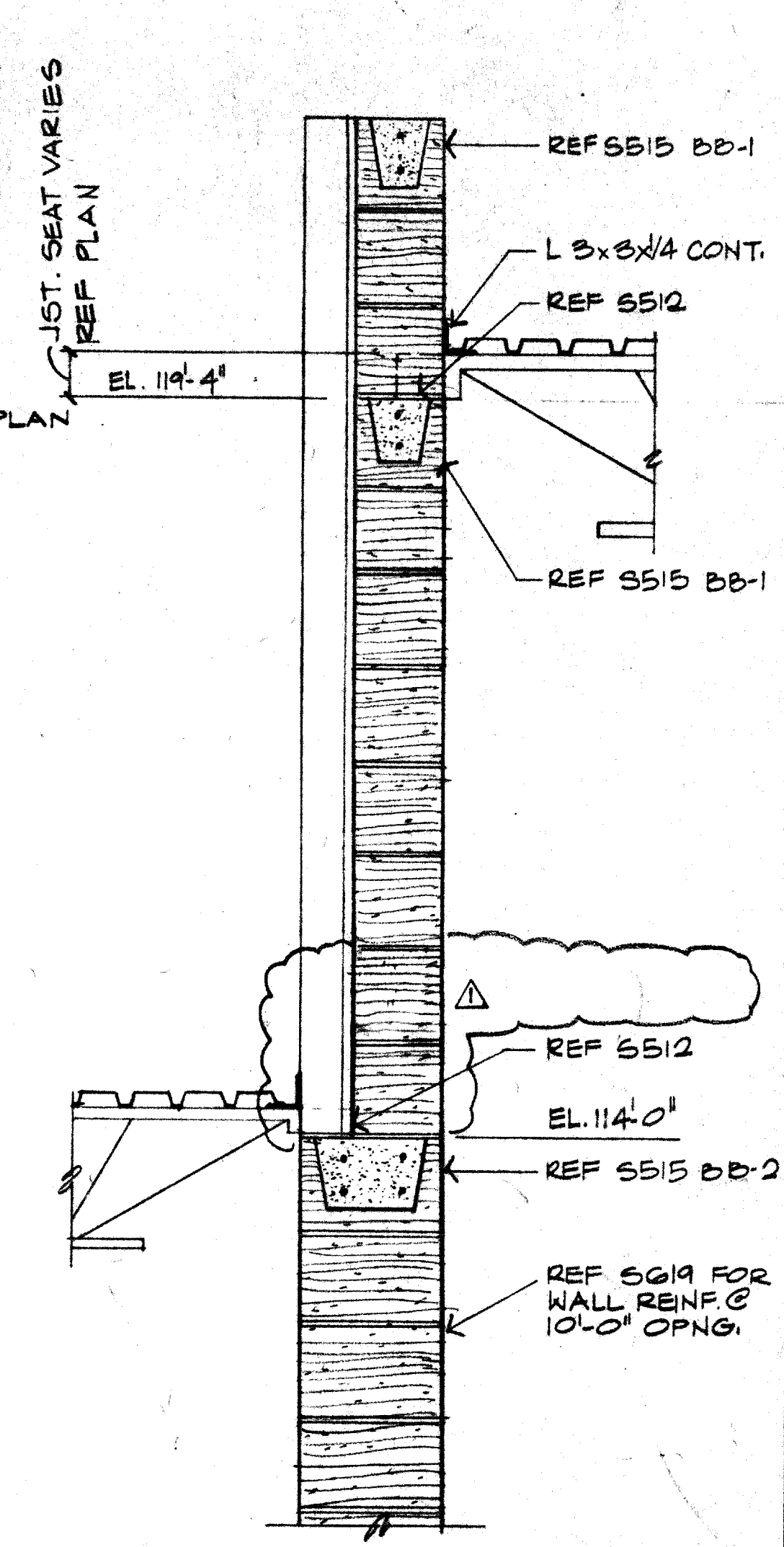
03



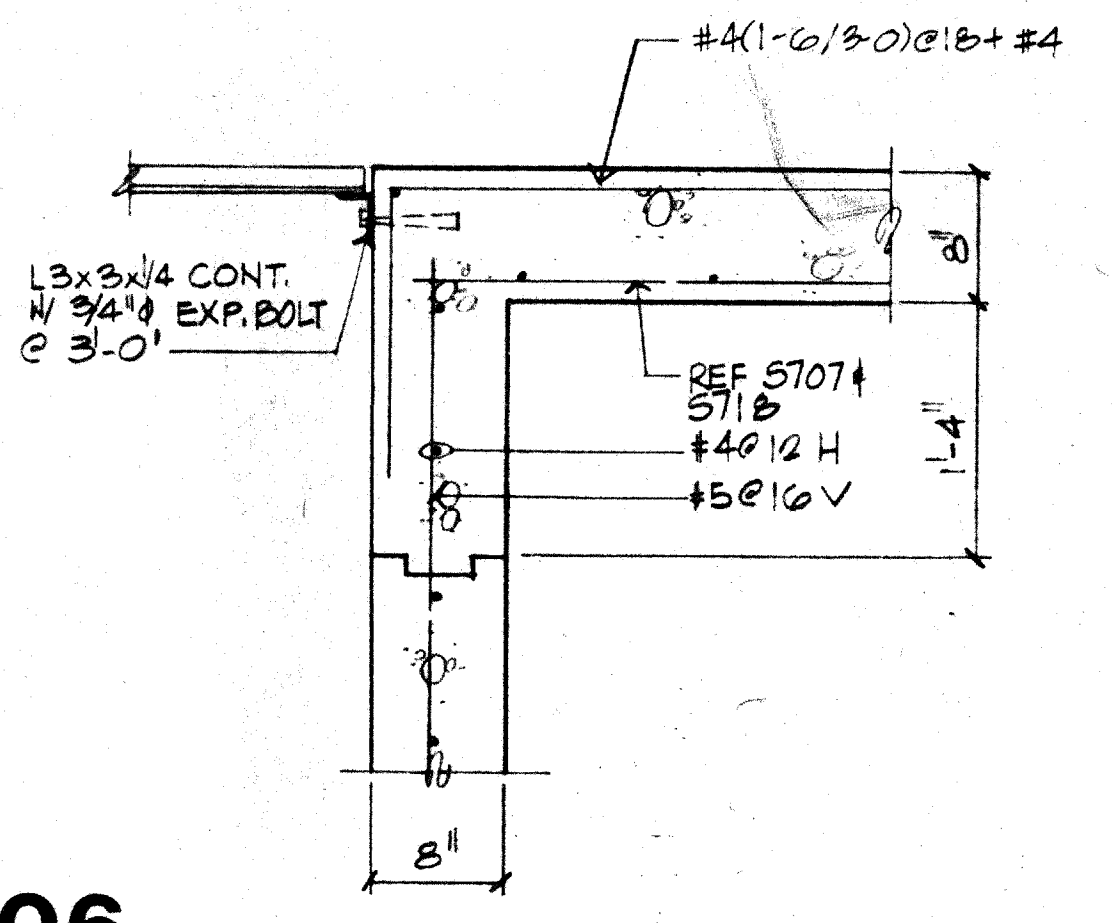
04



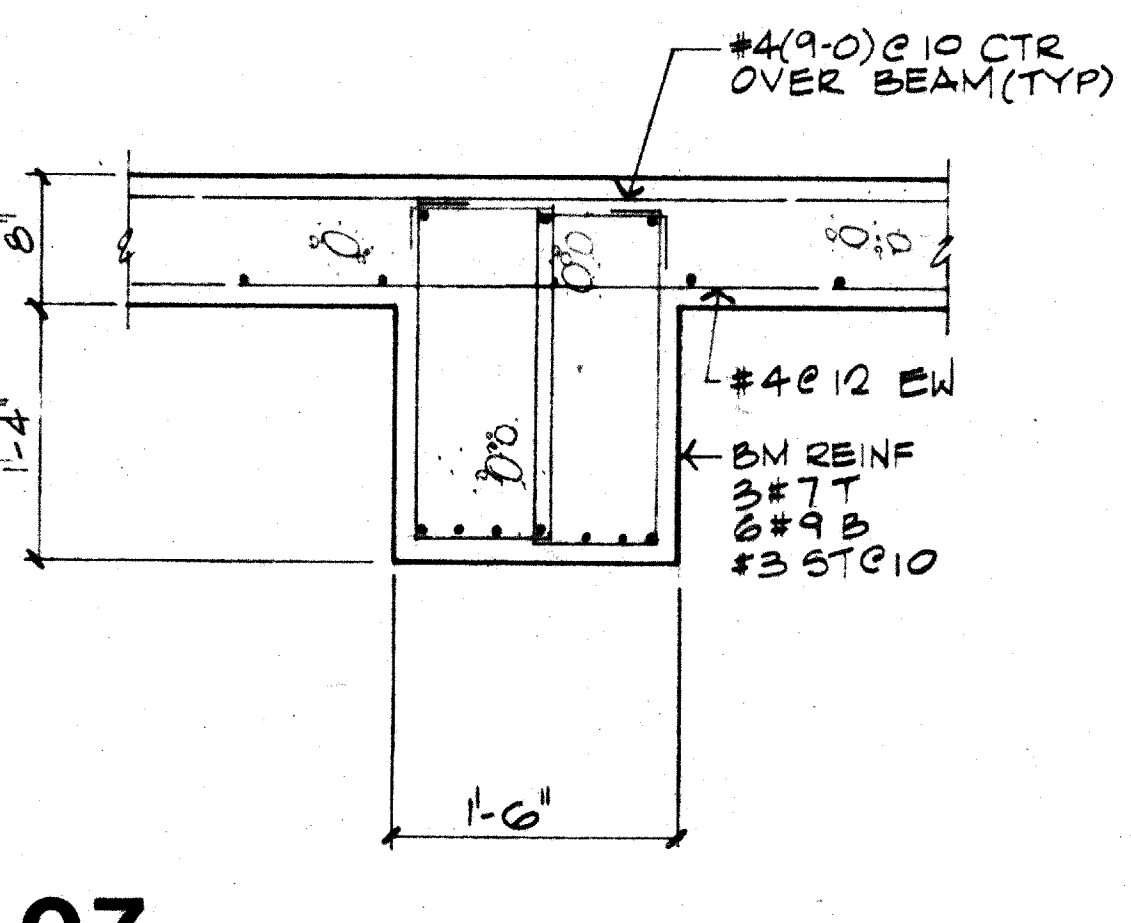
05



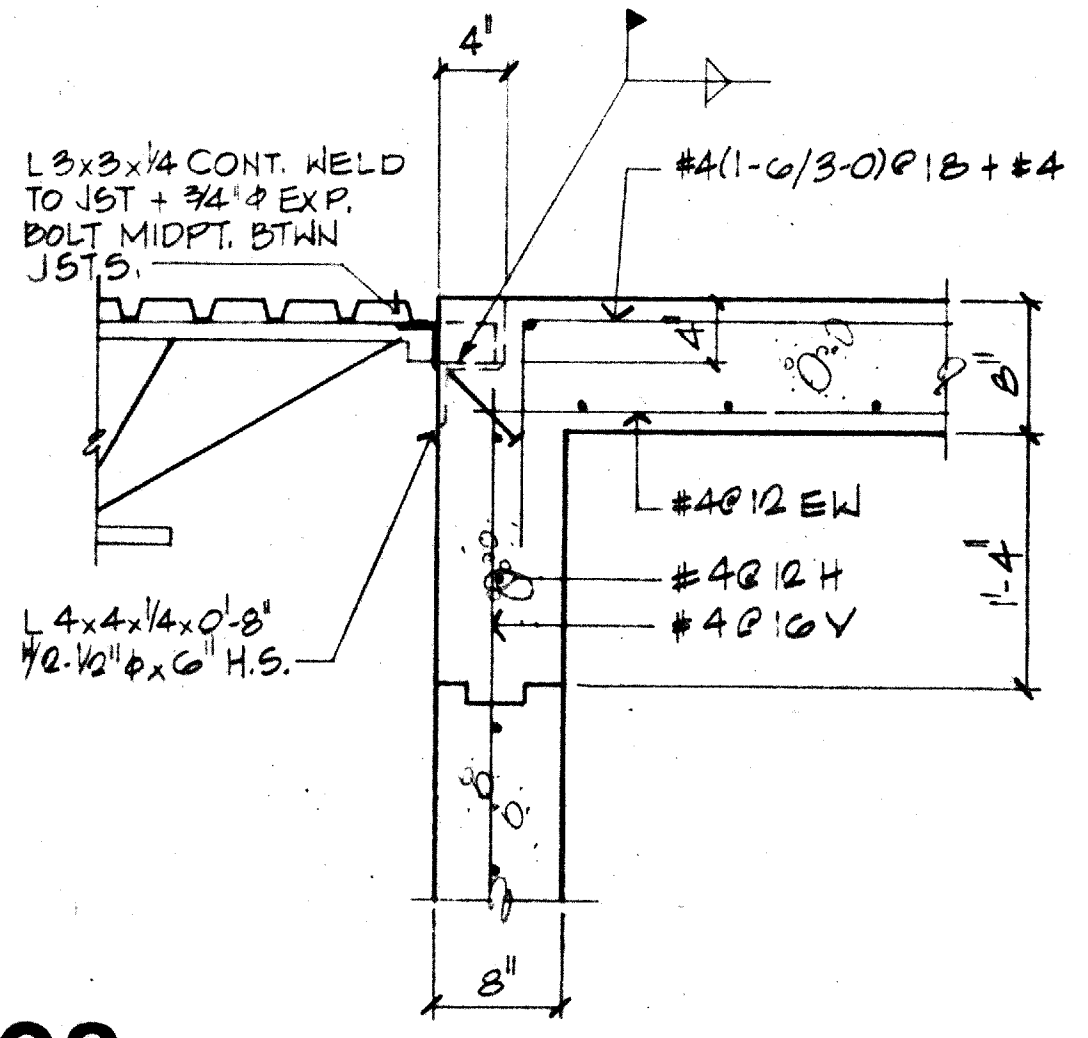
11



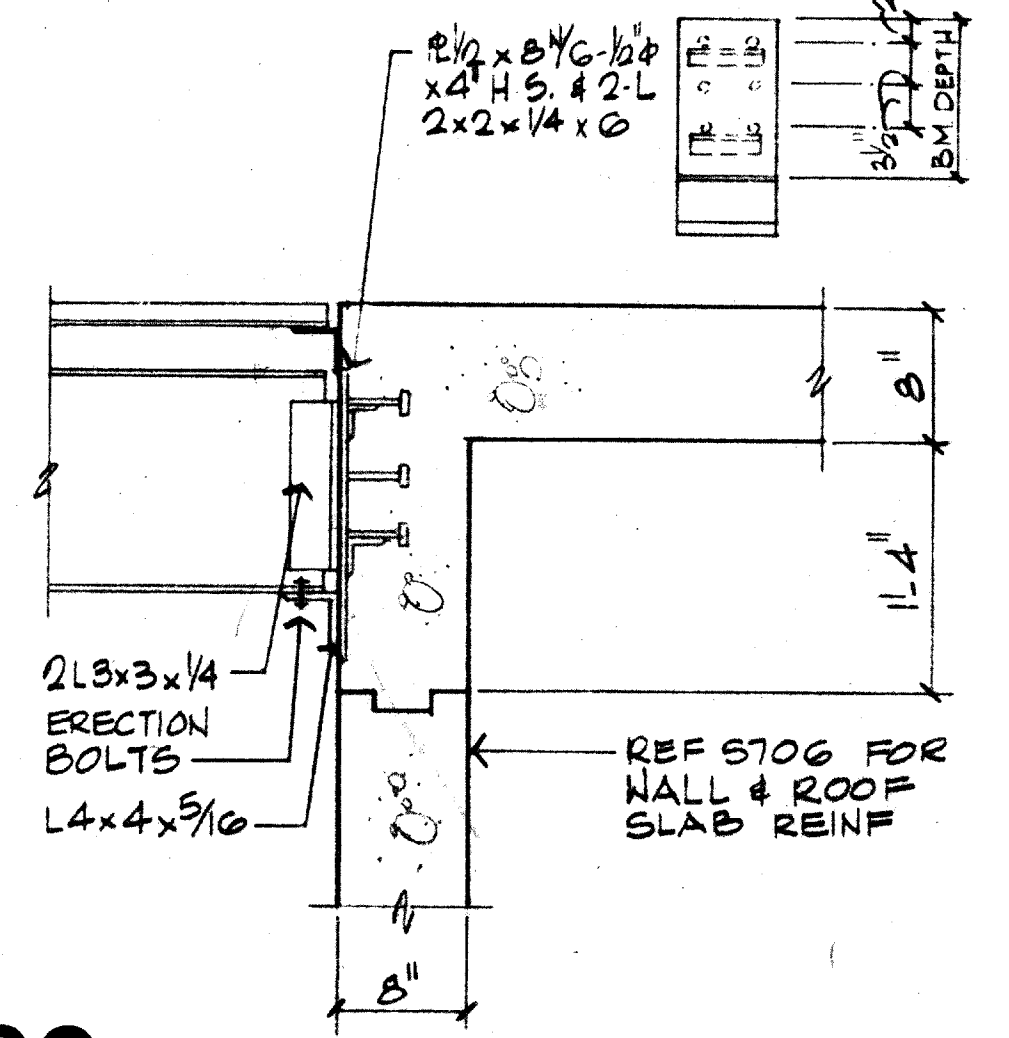
06



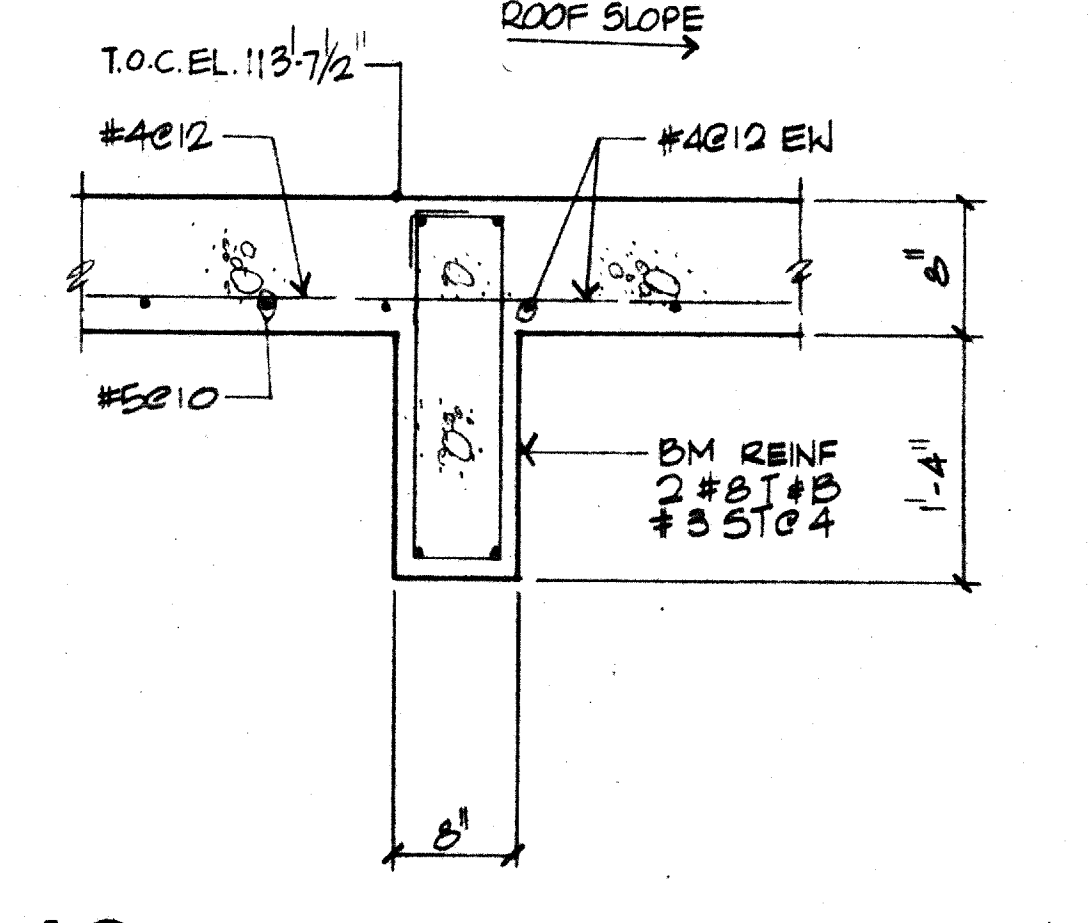
07



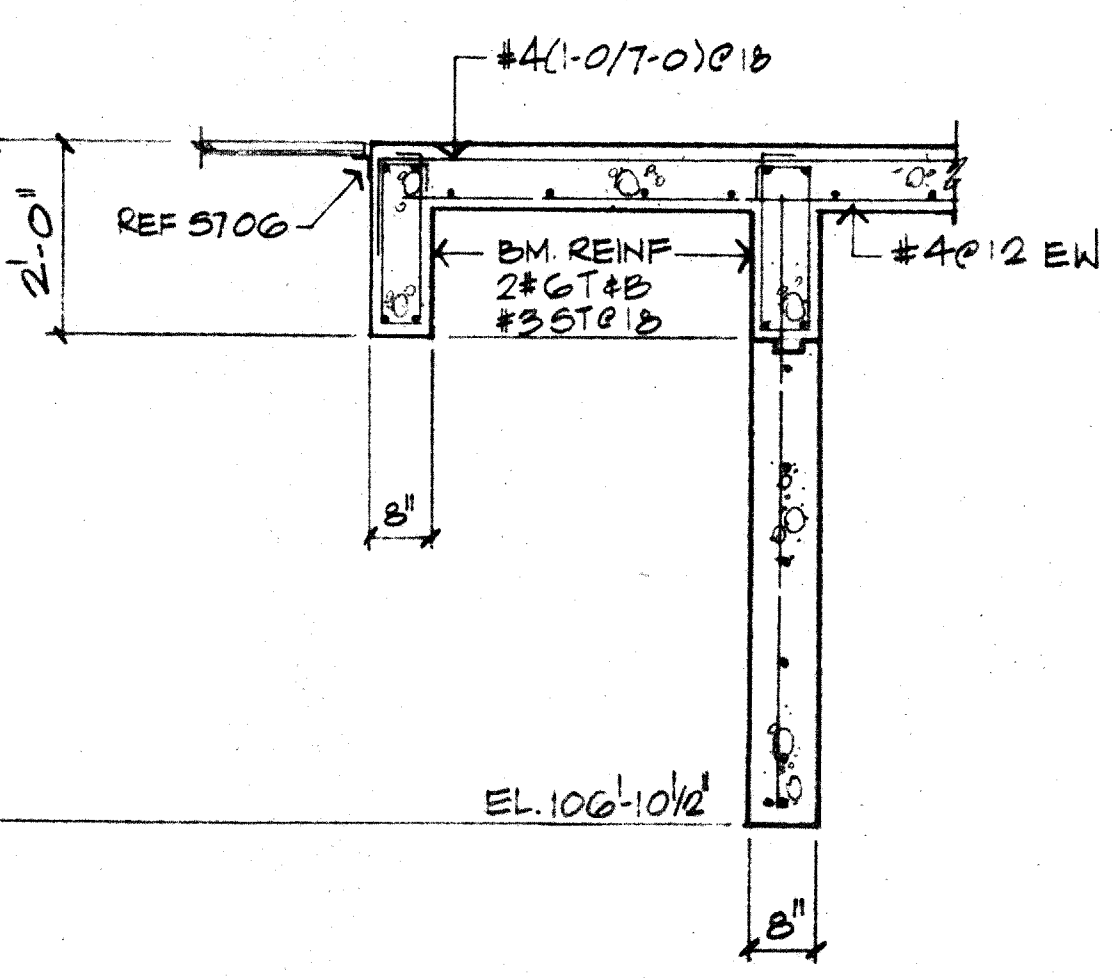
08



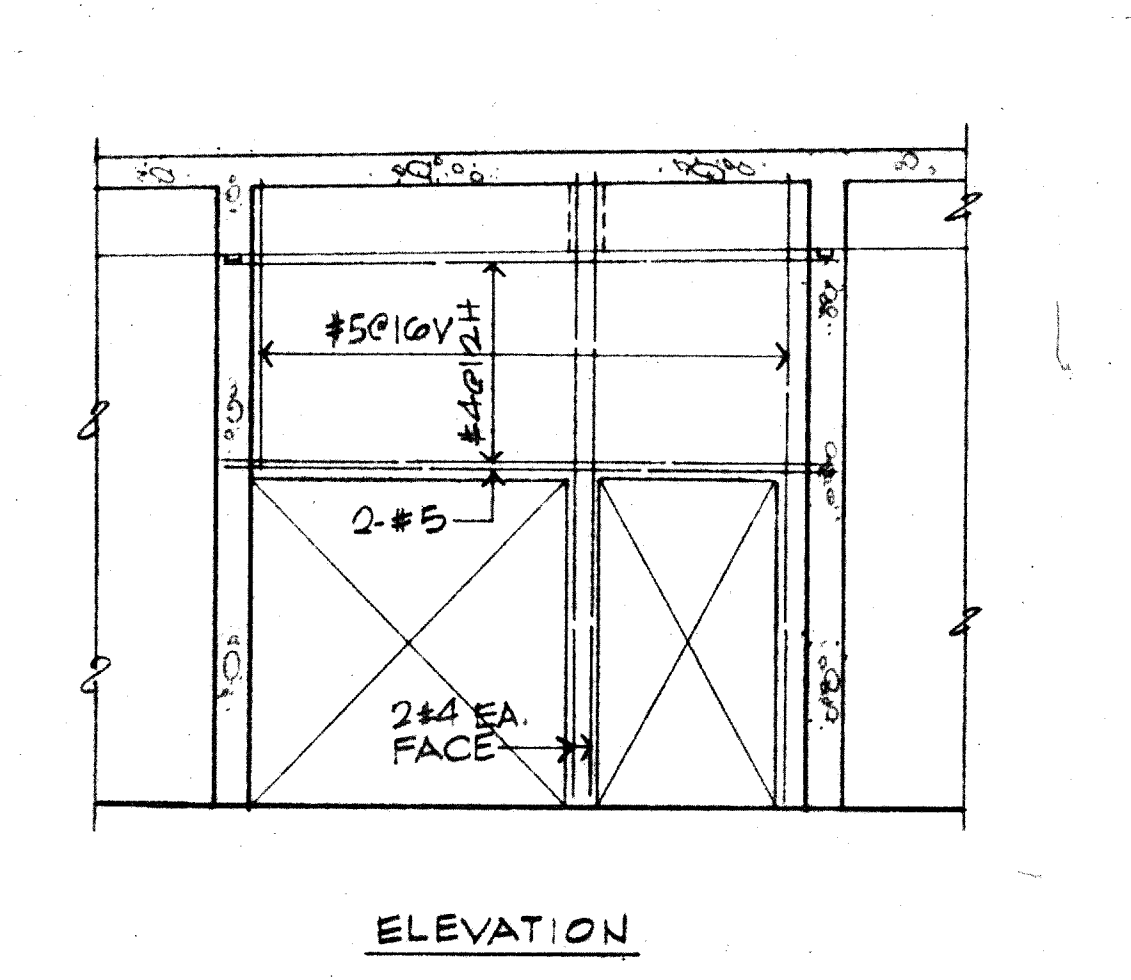
09



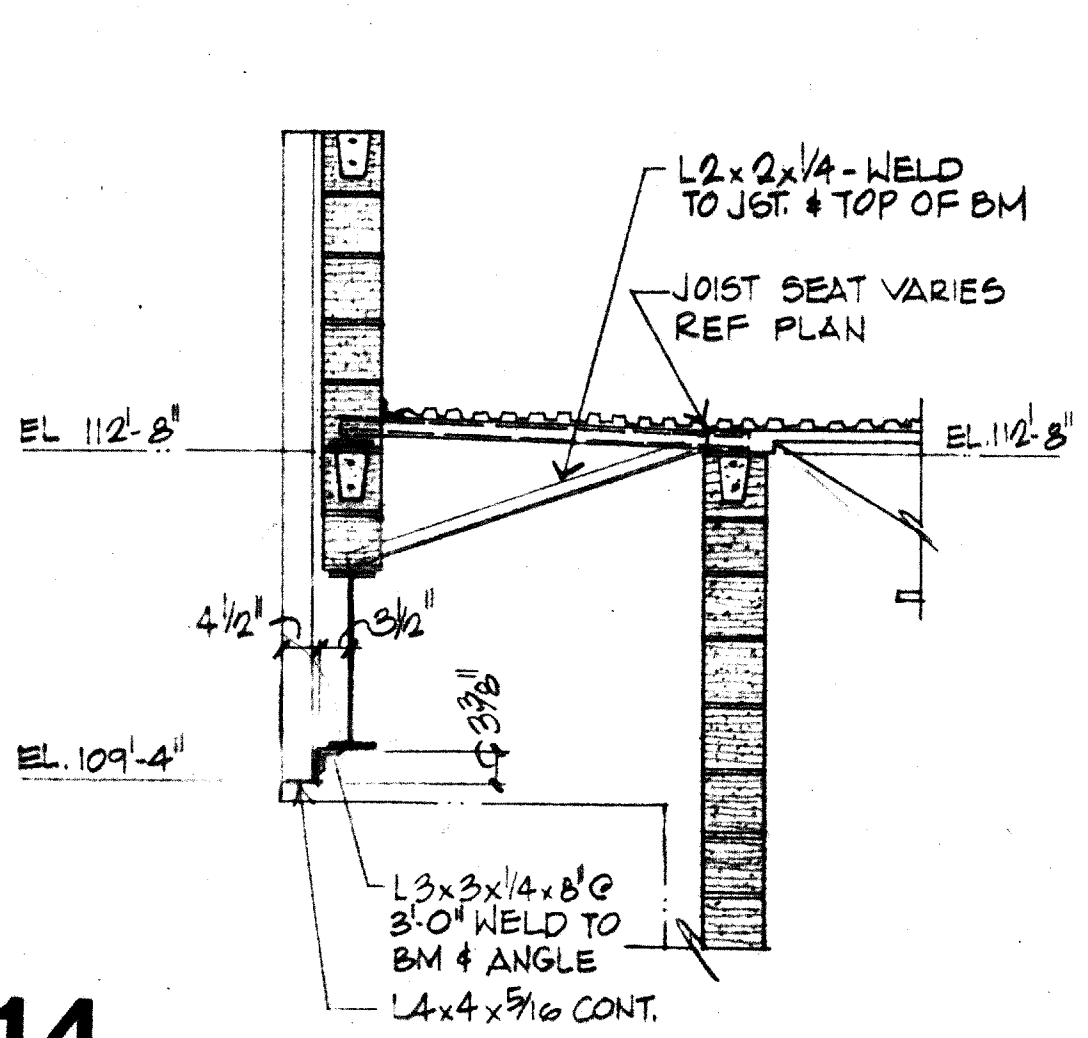
10



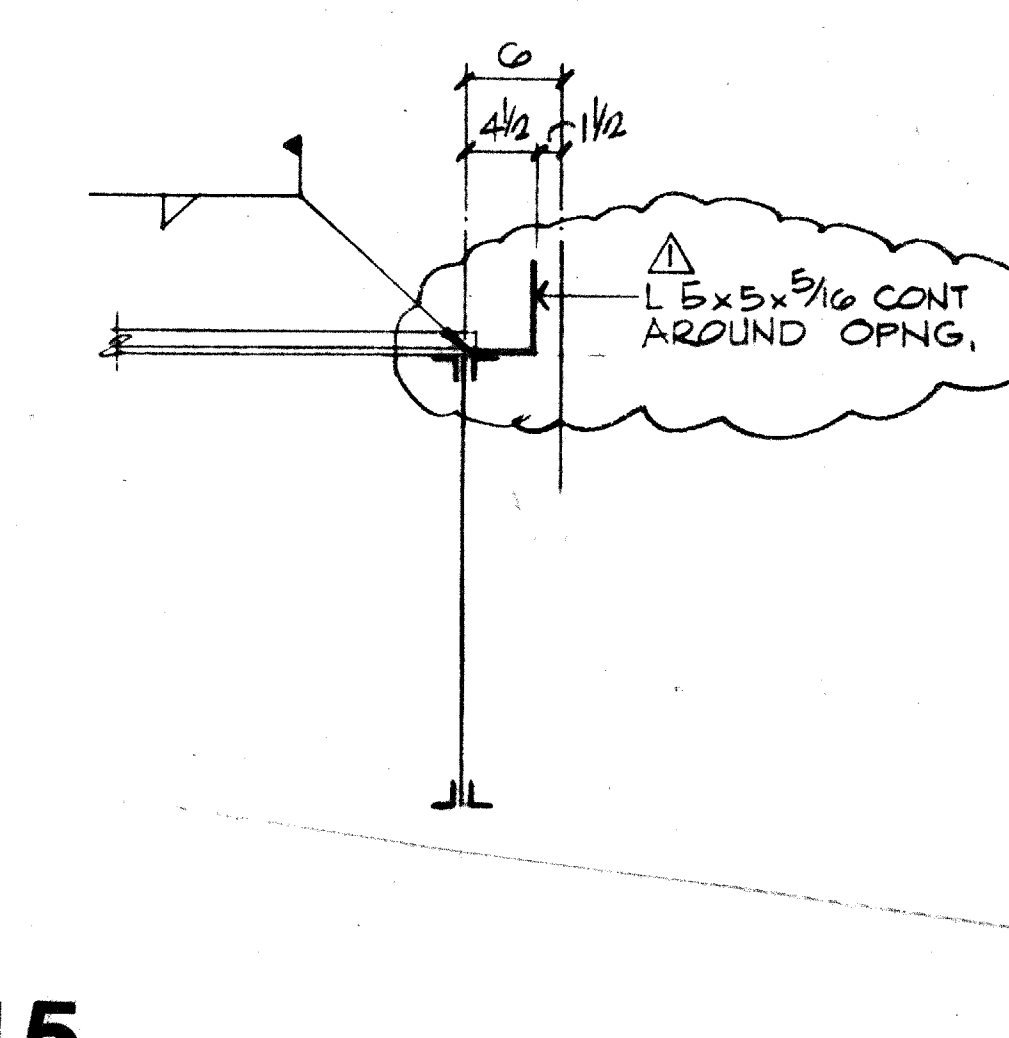
12



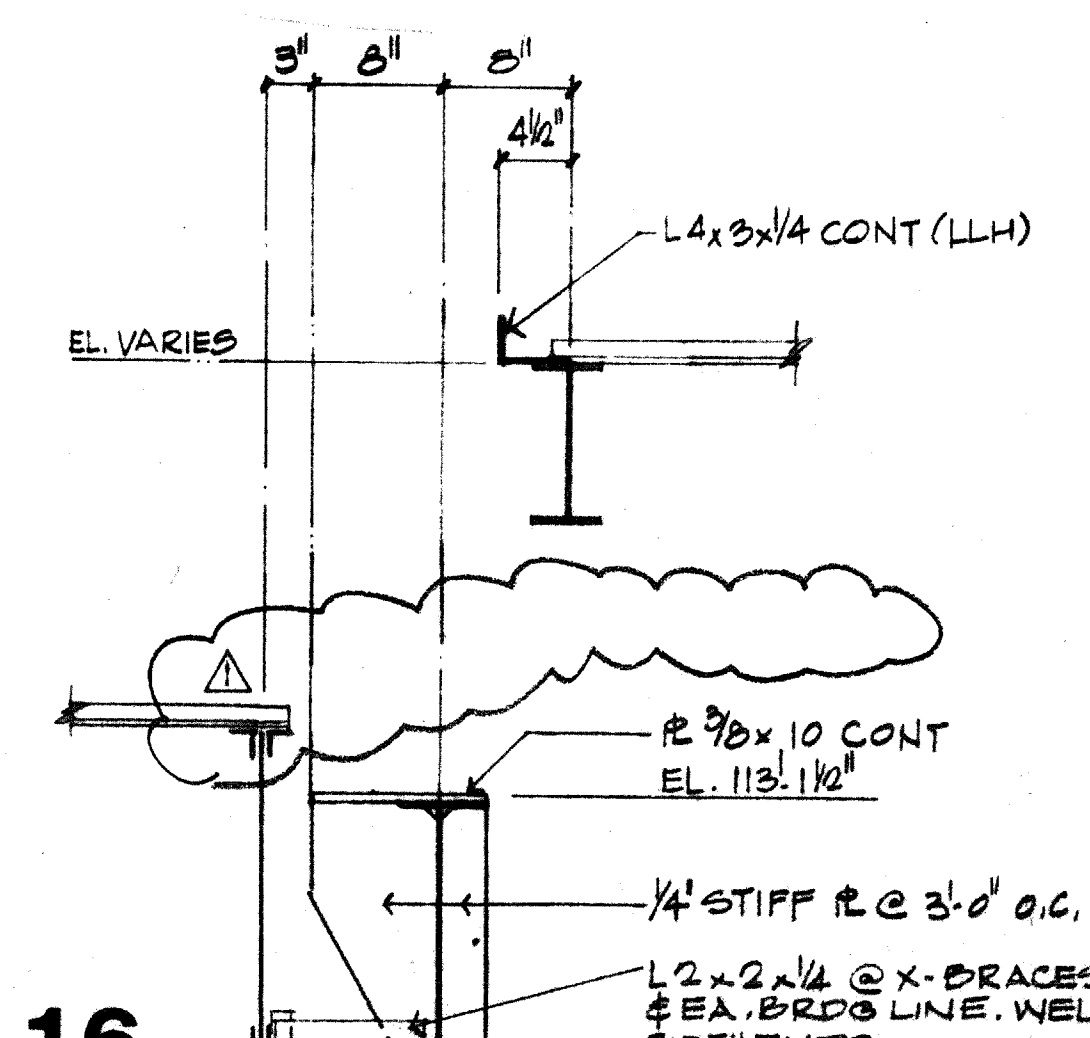
13



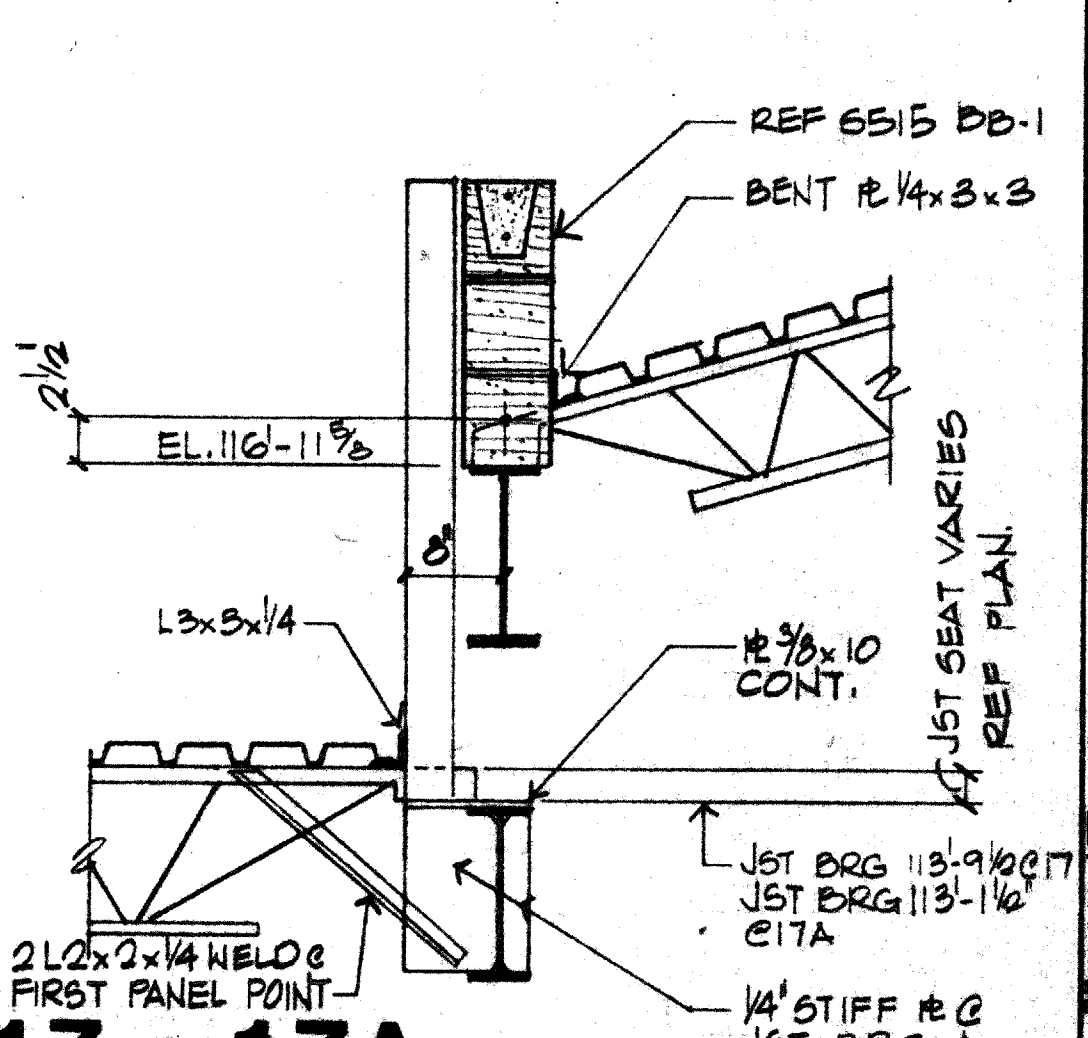
14



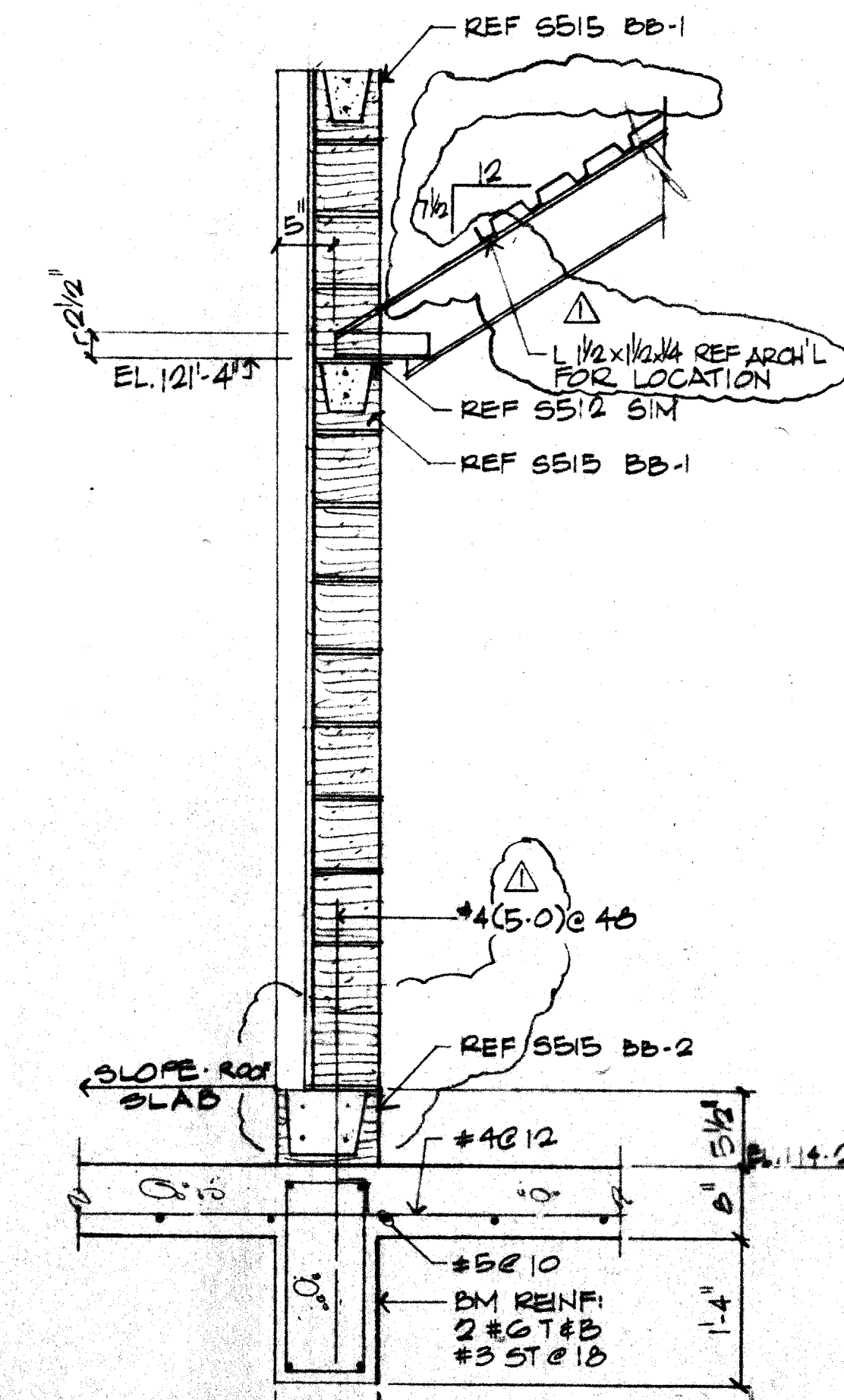
15



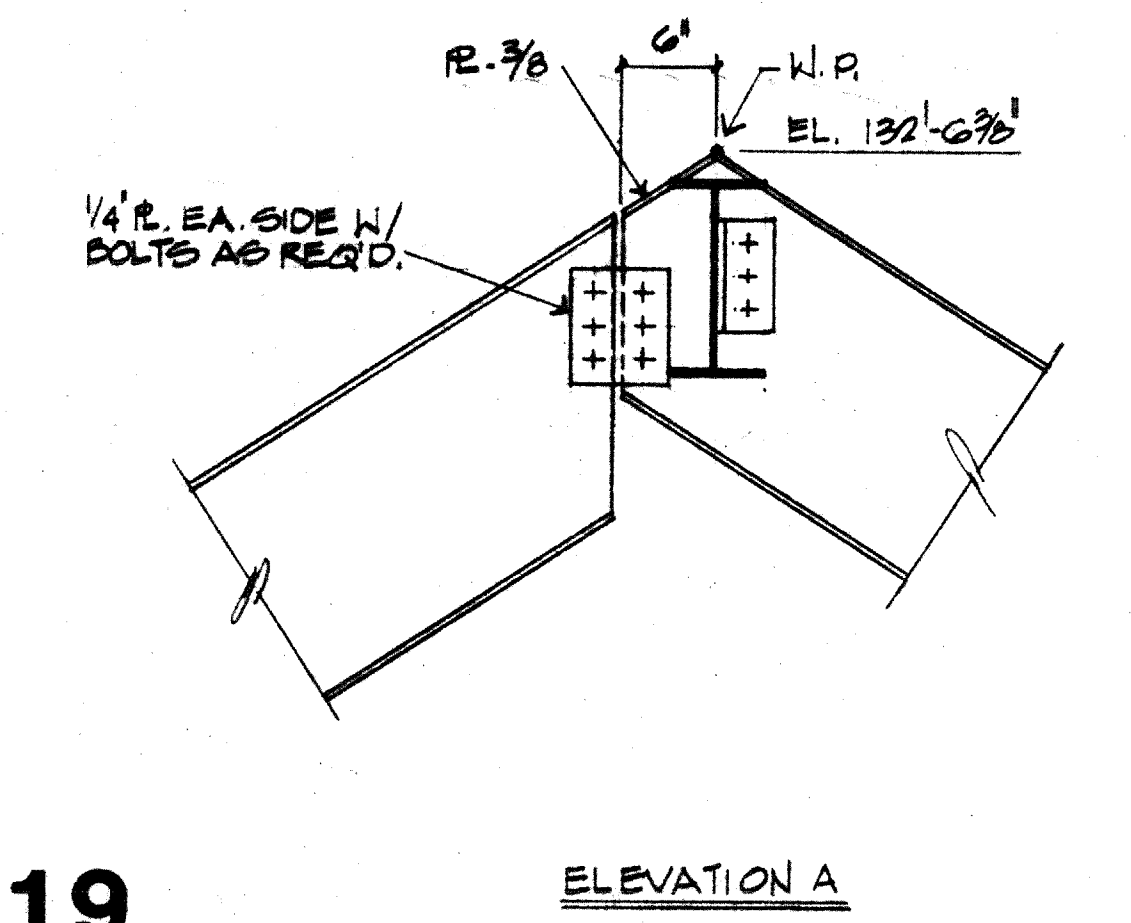
16



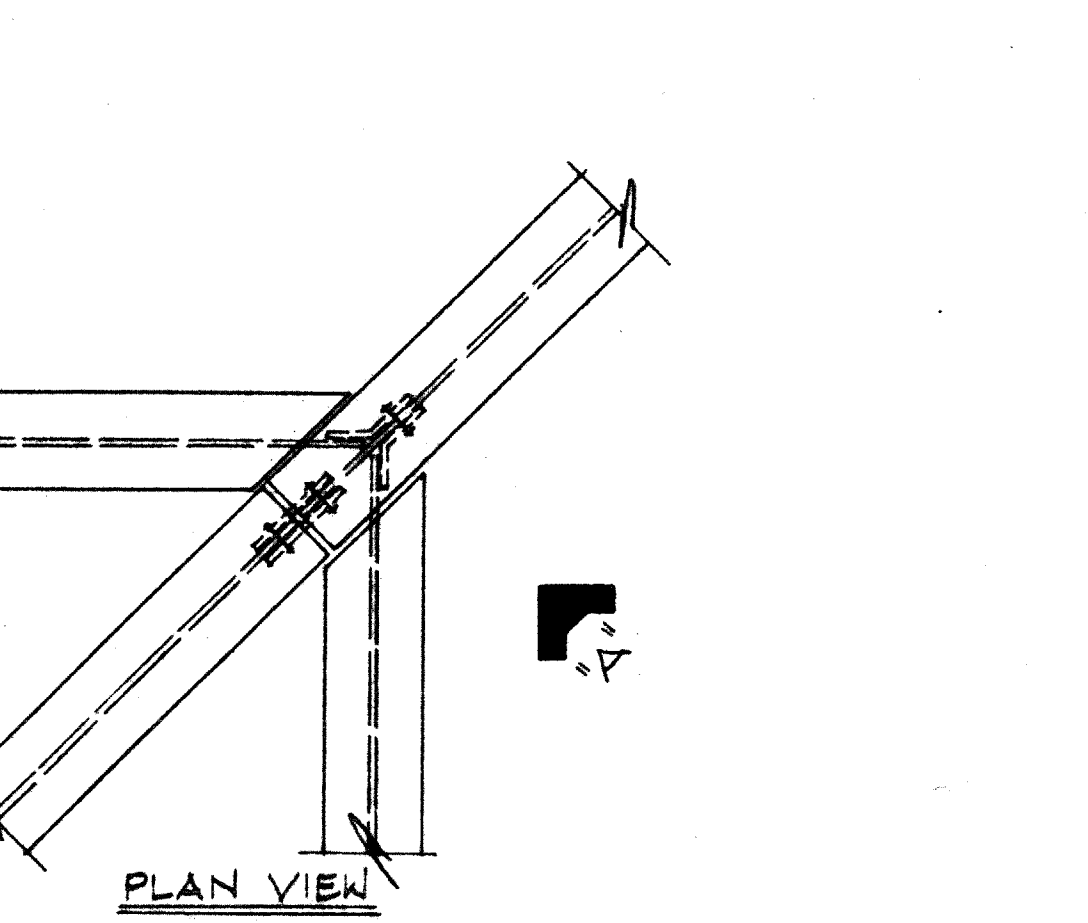
17-17A



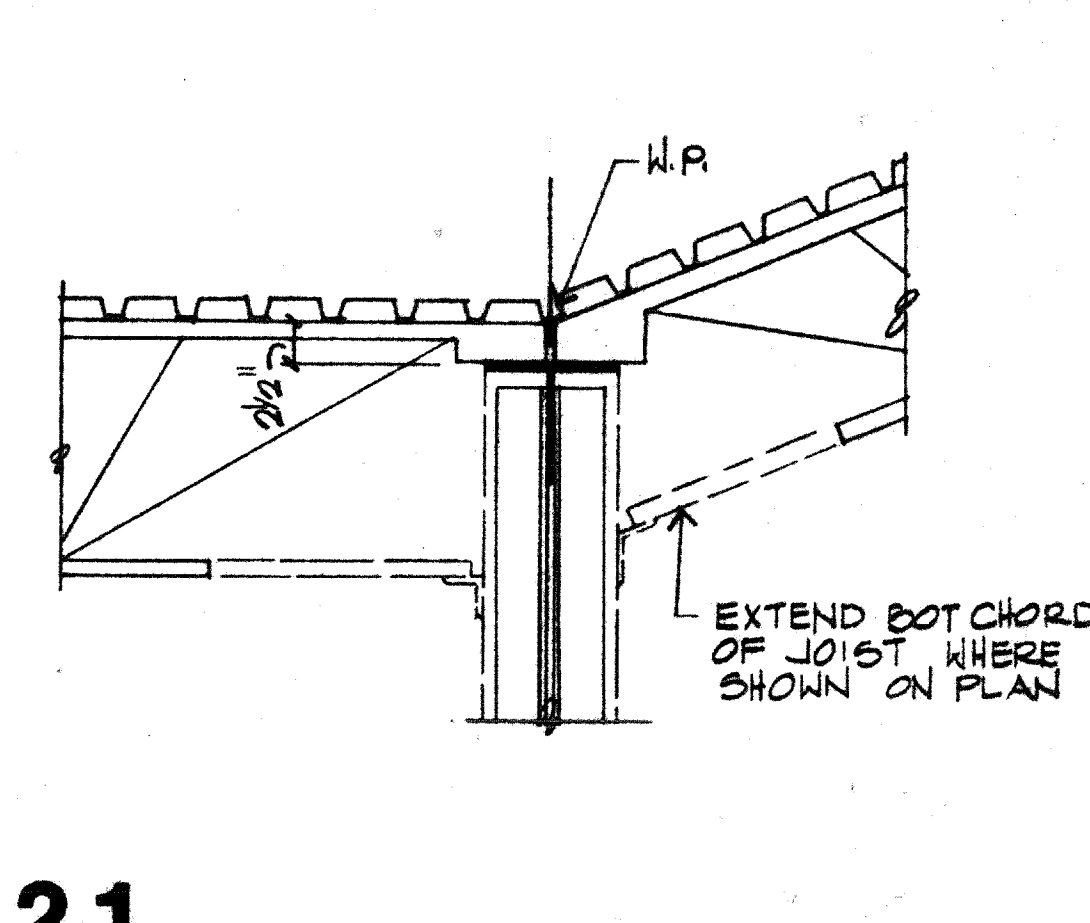
18



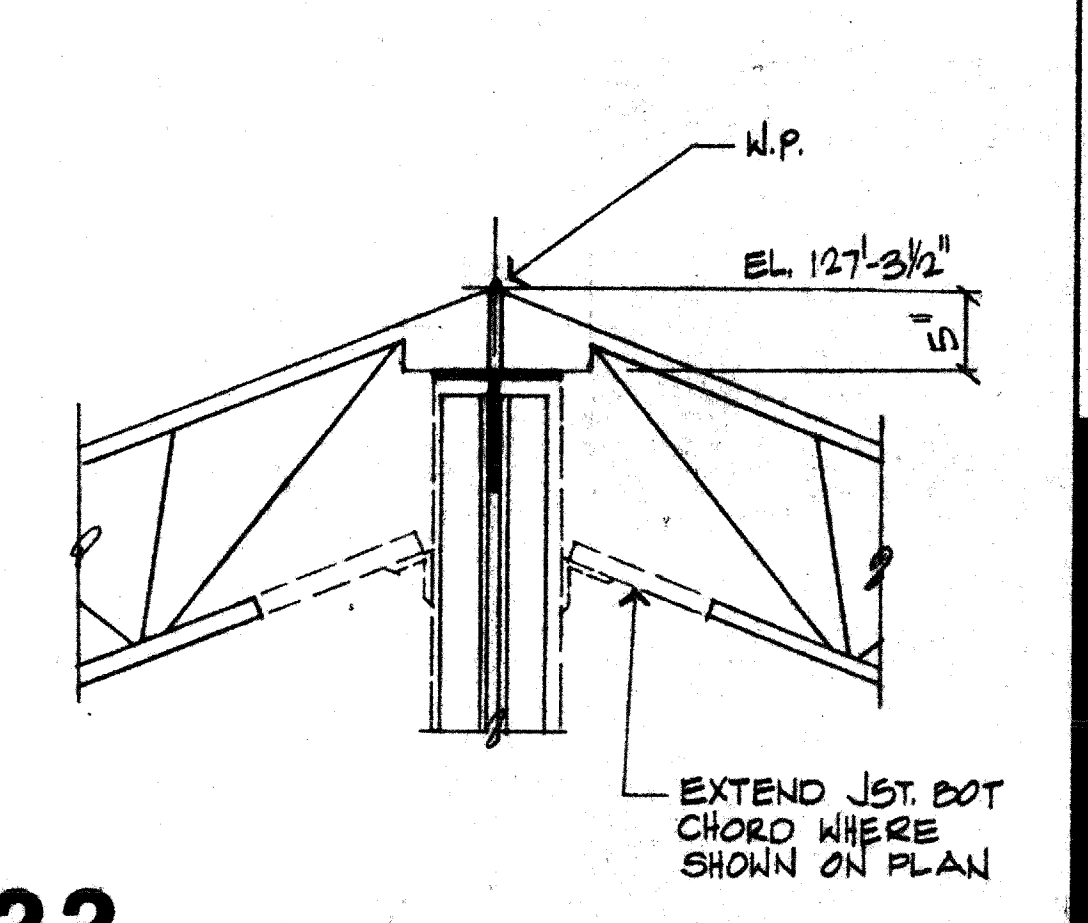
19



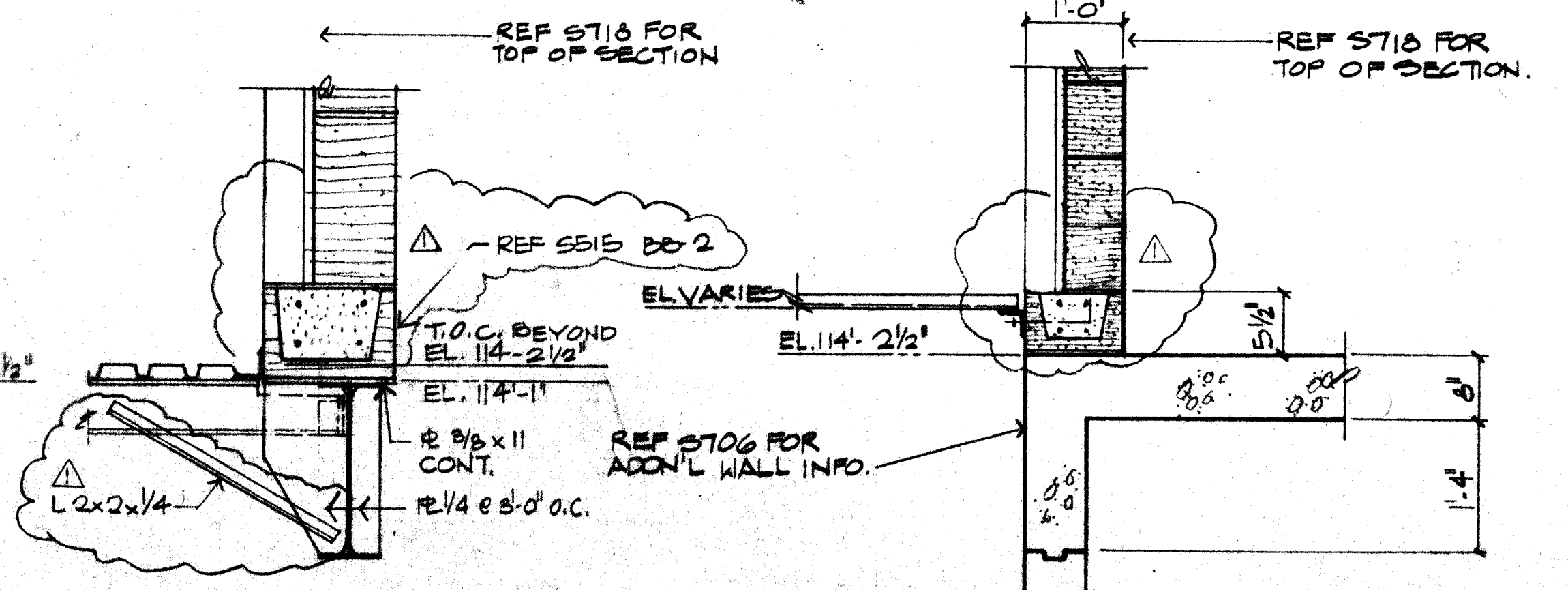
20



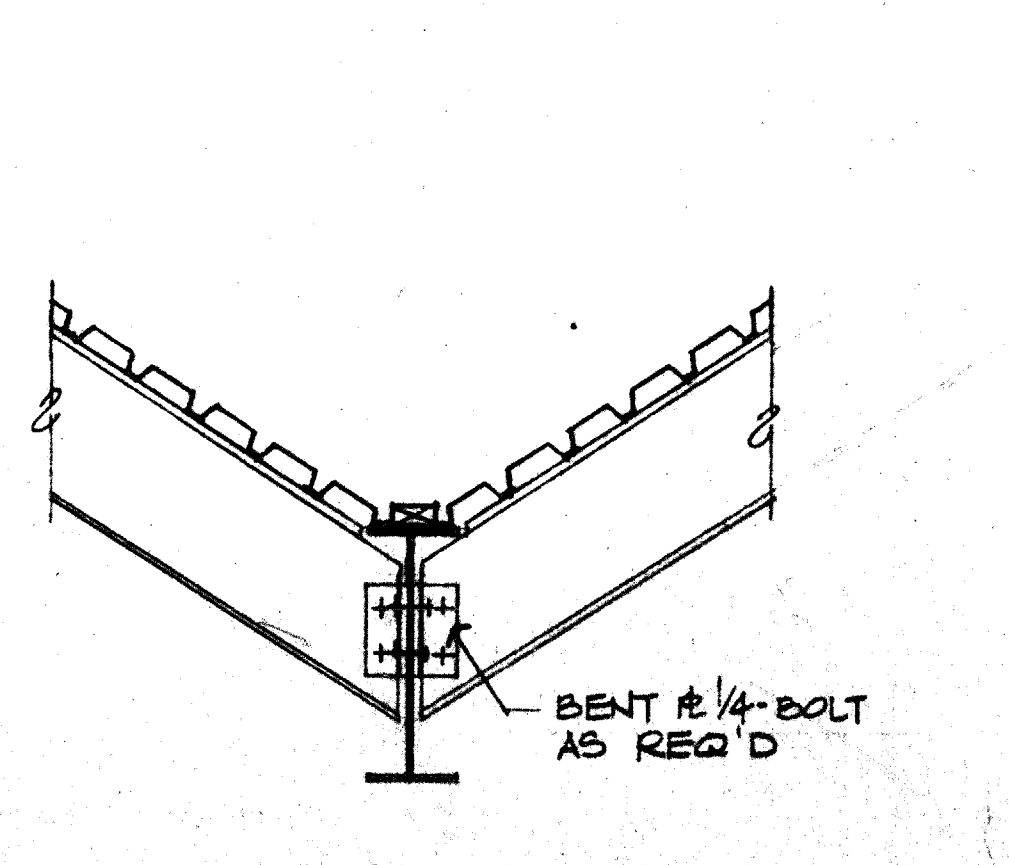
21



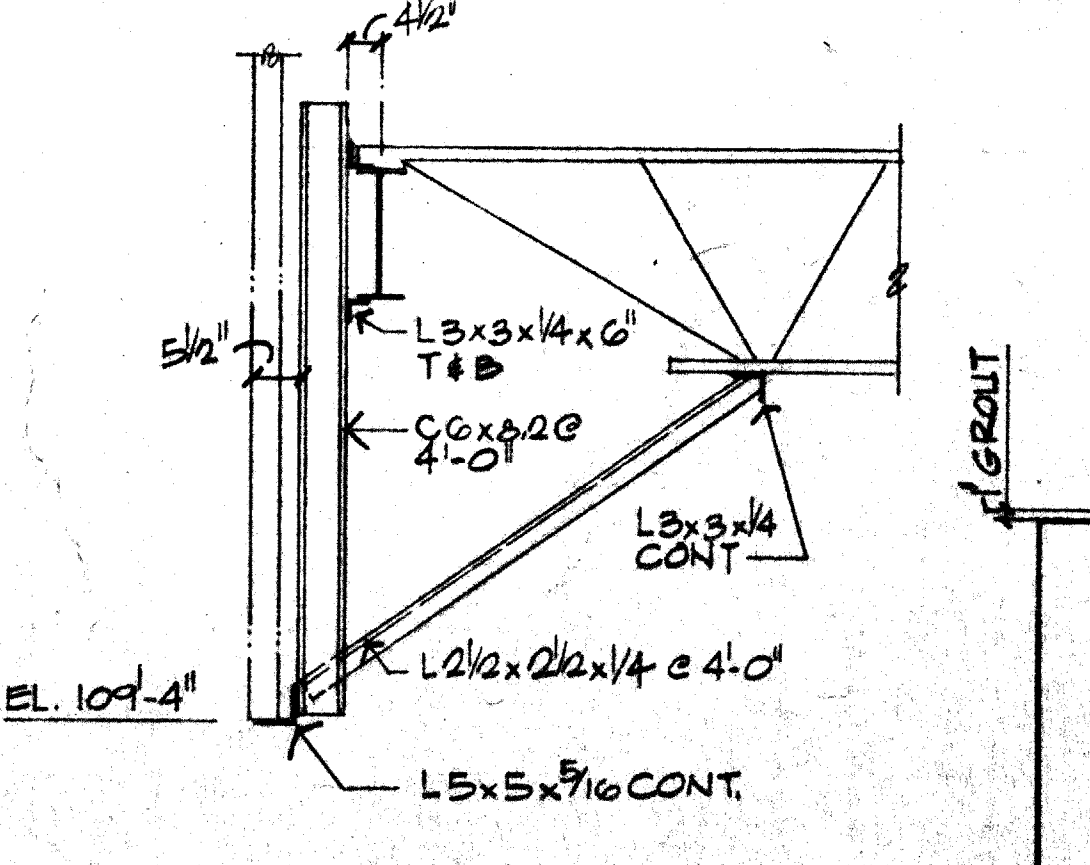
22



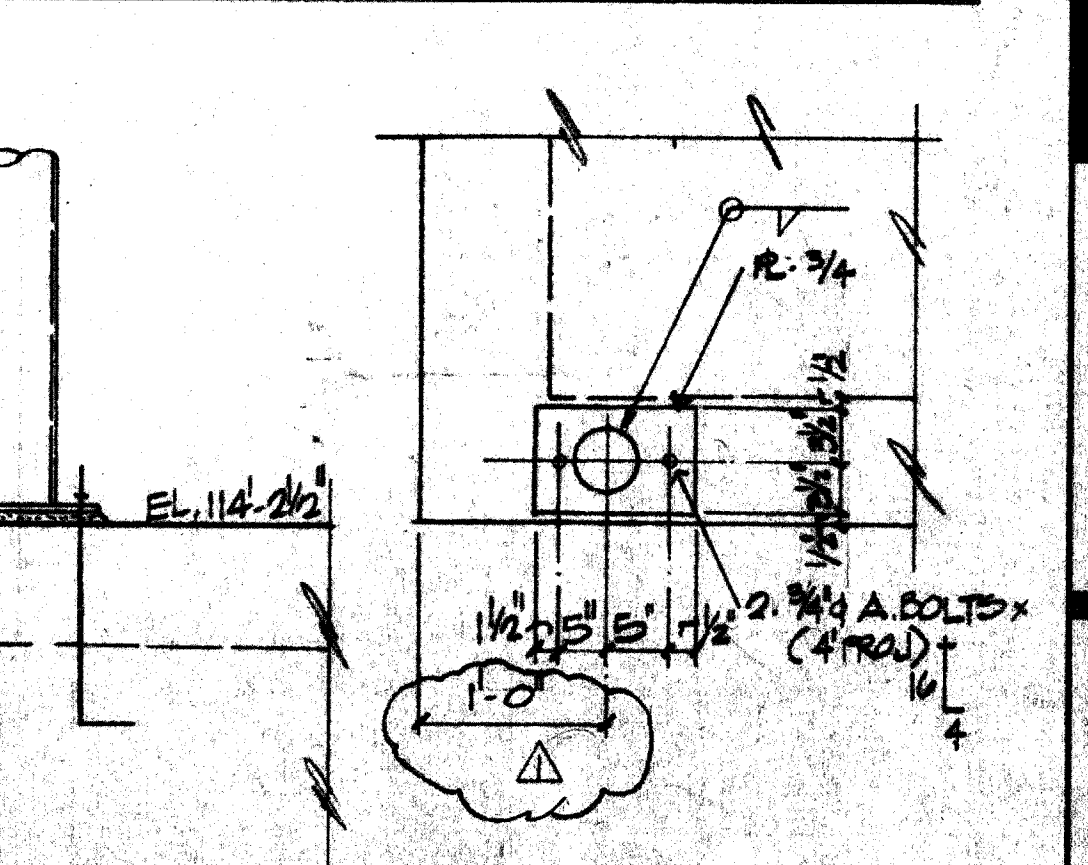
23



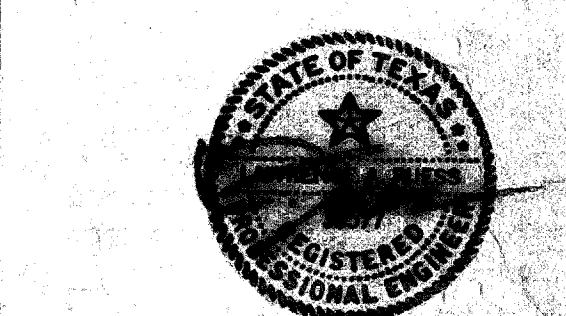
25



26



27



L. A. Fuess & Co. Incorporated  
structural engineers



CITY OF ADDISON  
FIRE DEPARTMENT  
CENTRAL OFFICES &  
FIRE STATION NO. 1  
AIRPORT PARKWAY &  
ADDISON ROAD, ADDISON, TX

FRAMING DETAILS

PROJECT NO. 82.00 SHEET NO. S7  
DATE 6/25/82

SCALE: 1/4\"/>