

CONDENSING UNIT SCHEDULE

MARK	SERVES	BTUH		TEMP. F°		FAN MOTOR			COMPRESSOR MOTOR			MFG.	MODEL	REMARKS	
		SENSIBLE	TOTAL	SUCTION	AMBIENT	NO.	F.L.A.	VOLTS	PHASE	NO.	F.L.A.				VOLTS
CU-1	AC-1	4,000	59,000	-	105	1	-	-	1	-	230	1PH	TRANE	RAU-2352	
CU-2	AC-2					1	-	-	1	-					
CU-3	AC-3					1	-	-	1	-					
CU-4	AC-4	29,000	38,000	-		1	-	-	1	-				RAU-2352	
CU-5	AC-5	29,000	38,000	-		1	-	-	1	-				RAU-2352	

FURNACE SCHEDULE

DESIGNATION	SERVES	CFM	OA	ESP	HP	SEN	TOTAL	HEAT IN	FUEL	VOLTS / PH	MFG.	MODEL	REMARKS
AC-1	2ND FL. EAST	2250	7B	0B	1/2	41,000	52,000	29,000	NAT. GAS	120/1	TRANE	FFH109	SEE PELLIN
AC-2	2ND FL. WEST	2350	7B	0B	1/2	41,000	52,000						
AC-3	1ST FL. WEST	2350	7B	0B	1/2	41,000	52,000						
AC-4	2ND FL. WEST	1200	-	0B	1/3	29,000	38,000					FFH109	
AC-5	1ST FL. EAST	1300	50	0B	1/3	29,000	38,000					FFH109	

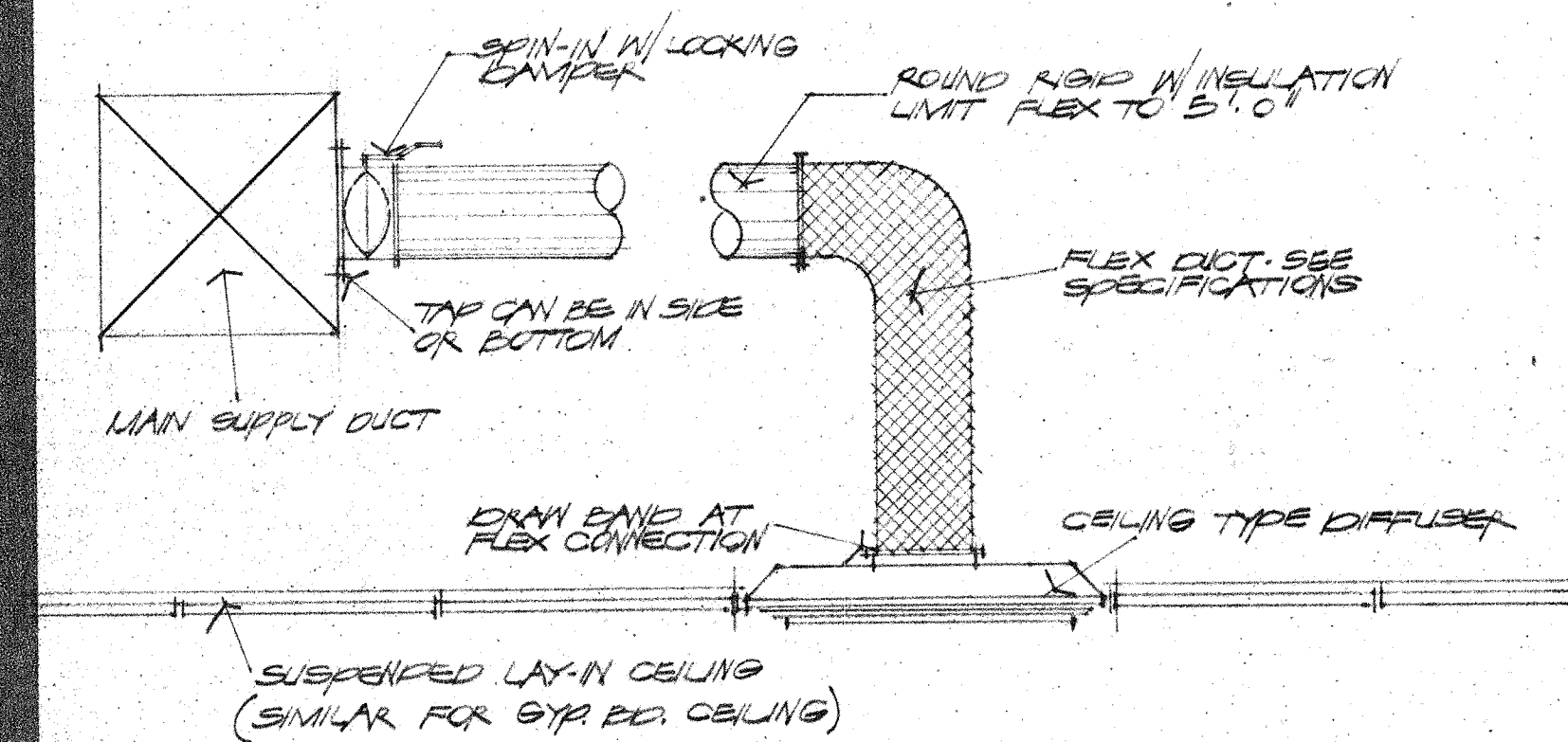
RUN AND SIZE REFRIGERANT LINES PER MFG. RECOMMENDATIONS.

FAN SCHEDULE

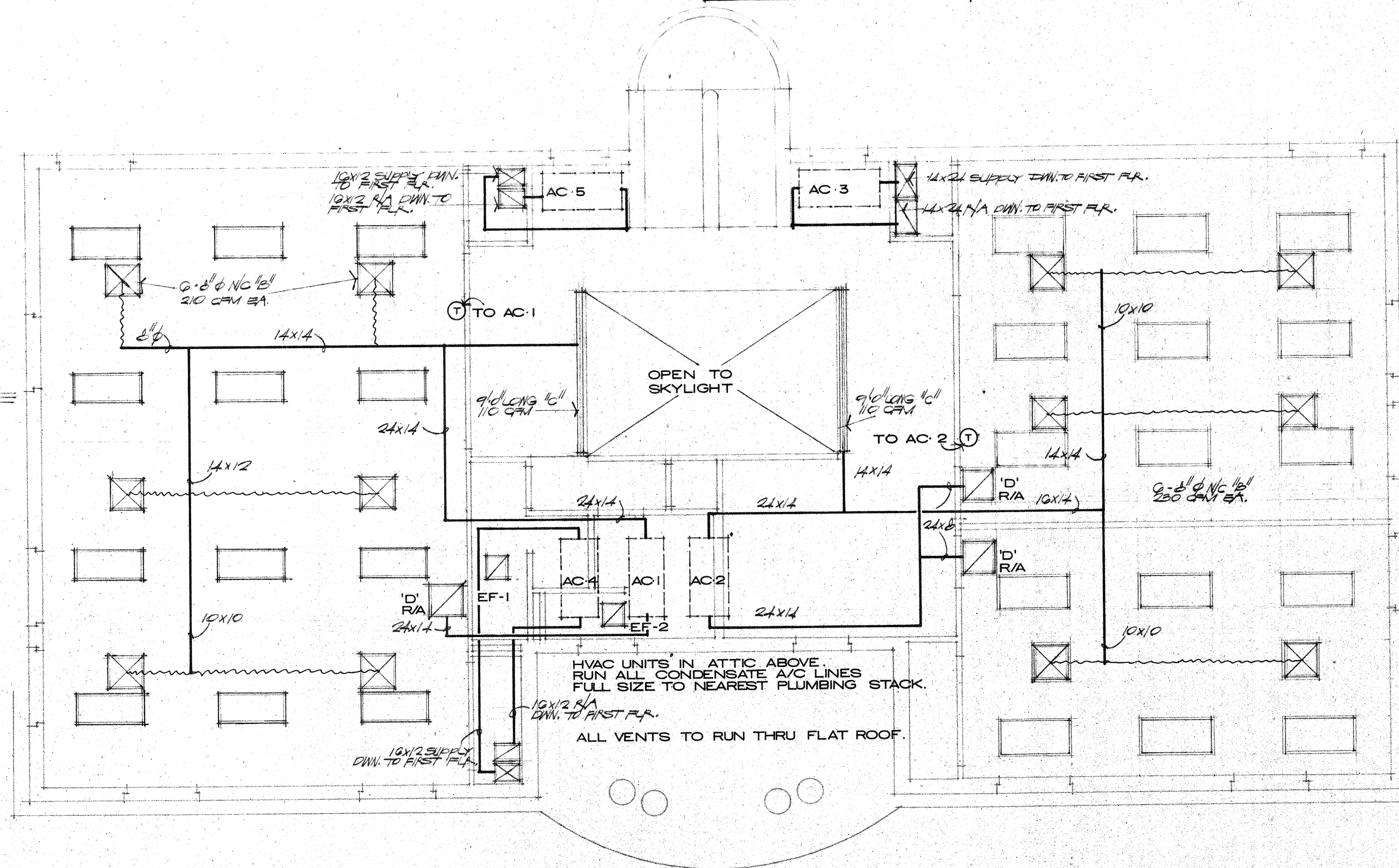
DESIG.	TYPE	SERVES	CFM	S.P.	H.P.	MOTOR DATA			SHUTTER	REMARKS
						RPM	VOLT/PHASE	STARTER		
EF-1	TOILET	50	0.25	35W	-	120/1	-			COCK 'GEMINI 4-12'
EF-2	TOILET	50	0.25	35W	-	120/1	-			COCK 'GEMINI 4-12'
EF-3	TOILETS	200	0.25	1/40	-	120/1	-			COCK '910 100'

AIR DEVICE SCHEDULE

DESIGNATION	DESCRIPTION	CEIL'G TYPE	FACE DIMEN	TYPE	FINISH	MFG.	MODEL	REMARKS
A	PERF. PLATE	LAY-IN	24" x 24"	S	OP. WHITE	TITUS	'TXS'	
B	PERF. PLATE	SHEET ROCK	24" x 24"	S			'TXS'	
C	LINEAR	SHEET ROCK	3" WIDE	S			'GT-1B'	
D	PERF. PLATE	SHEET ROCK	24" x 24"	R			'TXR'	
E	PERF. PLATE	LAY-IN	24" x 24"	R			'TXR'	
F	COVER	-	-	S			271-XLS	



02 TYP. CEIL. SUPPLY DIFFUSER
NOT TO SCALE



01 SECOND FLOOR MECHANICAL PLAN 1/4" = 1' - 0"

SHEPHERD + BOYD
ARCHITECTS/PLANNERS & INTERIORS
8236 DOUGLAS AVENUE
SUITE 800
DALLAS, TEXAS 75225
TELEPHONE 214/681-9000

ADDISON TOWN HALL
ADDISON TEXAS



REVISIONS

DATE
JAN. 4, 1982

SHEET
A - 14