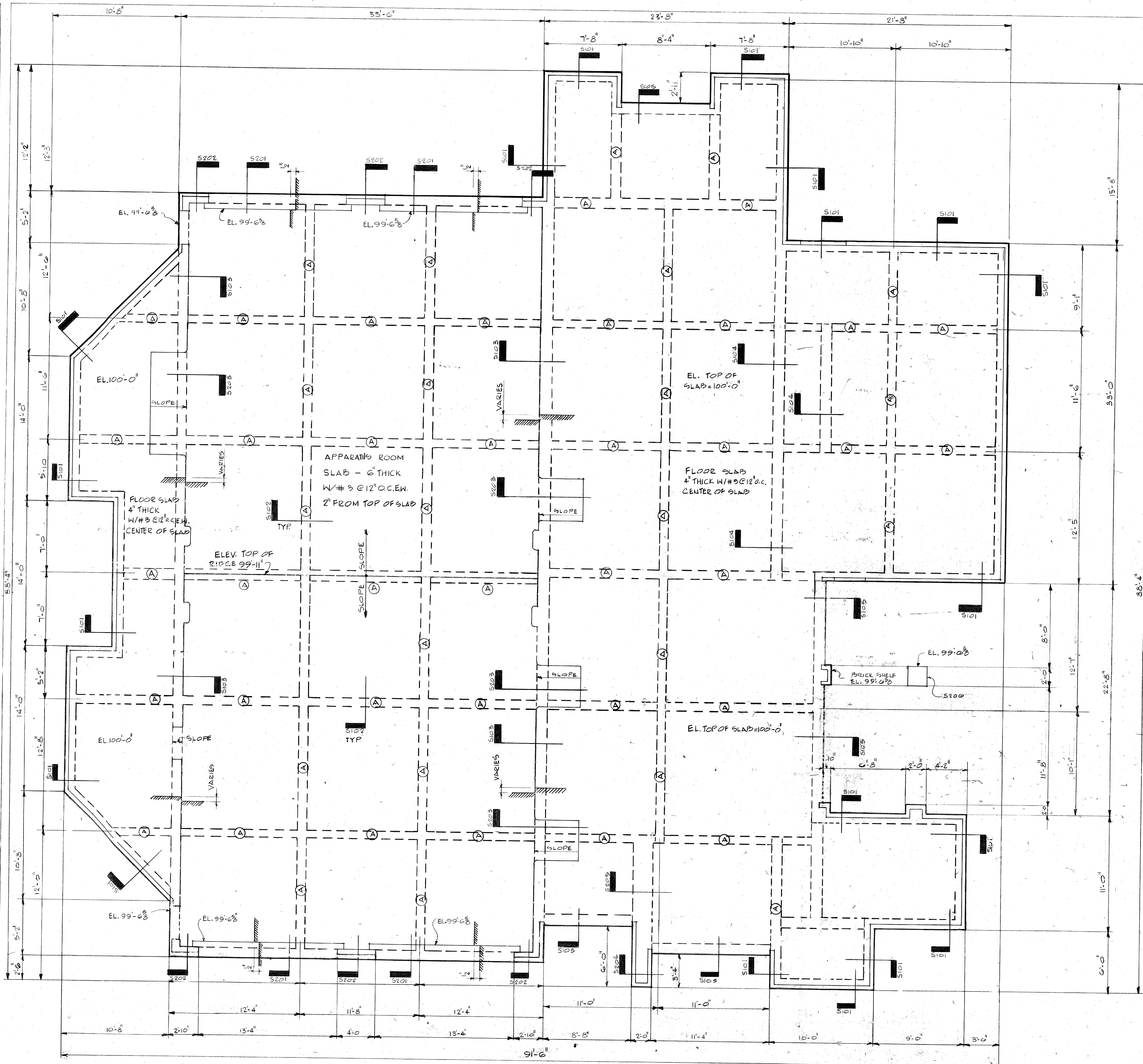
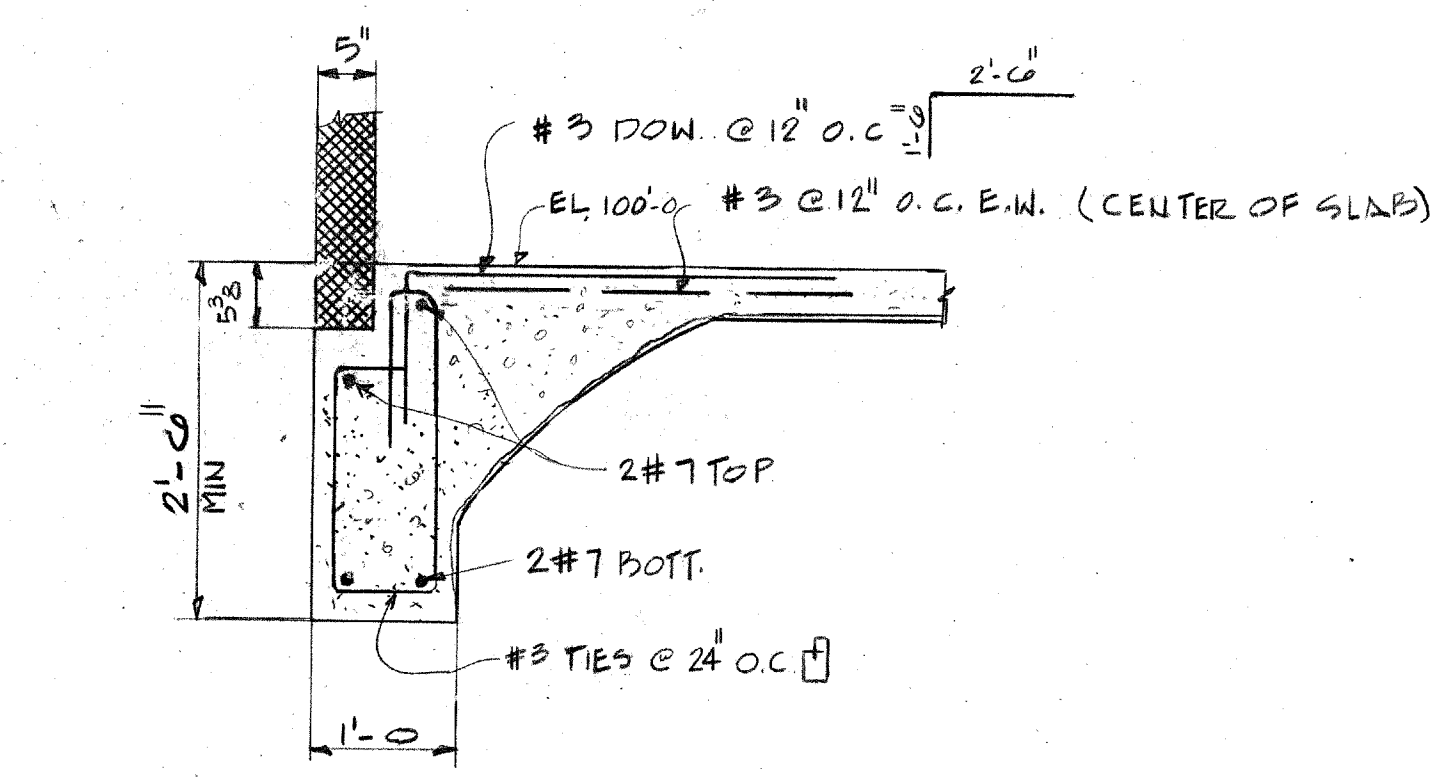
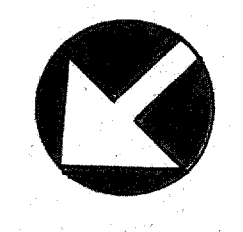


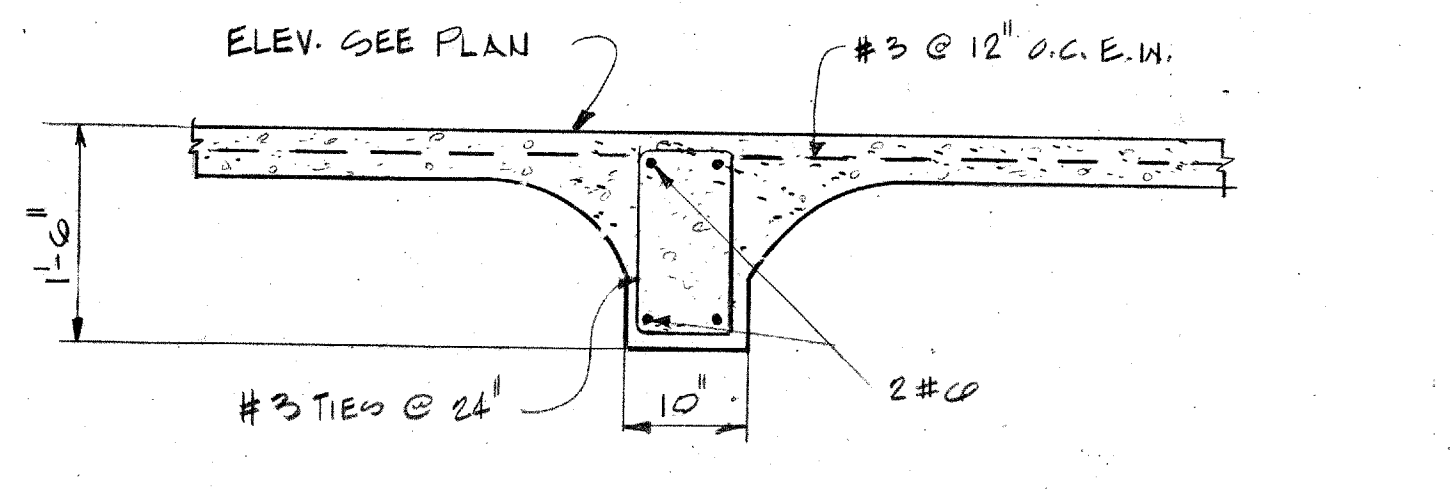
SHEET TIME SHEET
 ASSIGN TO
 CHECKED REVISIONS KEYNOTING



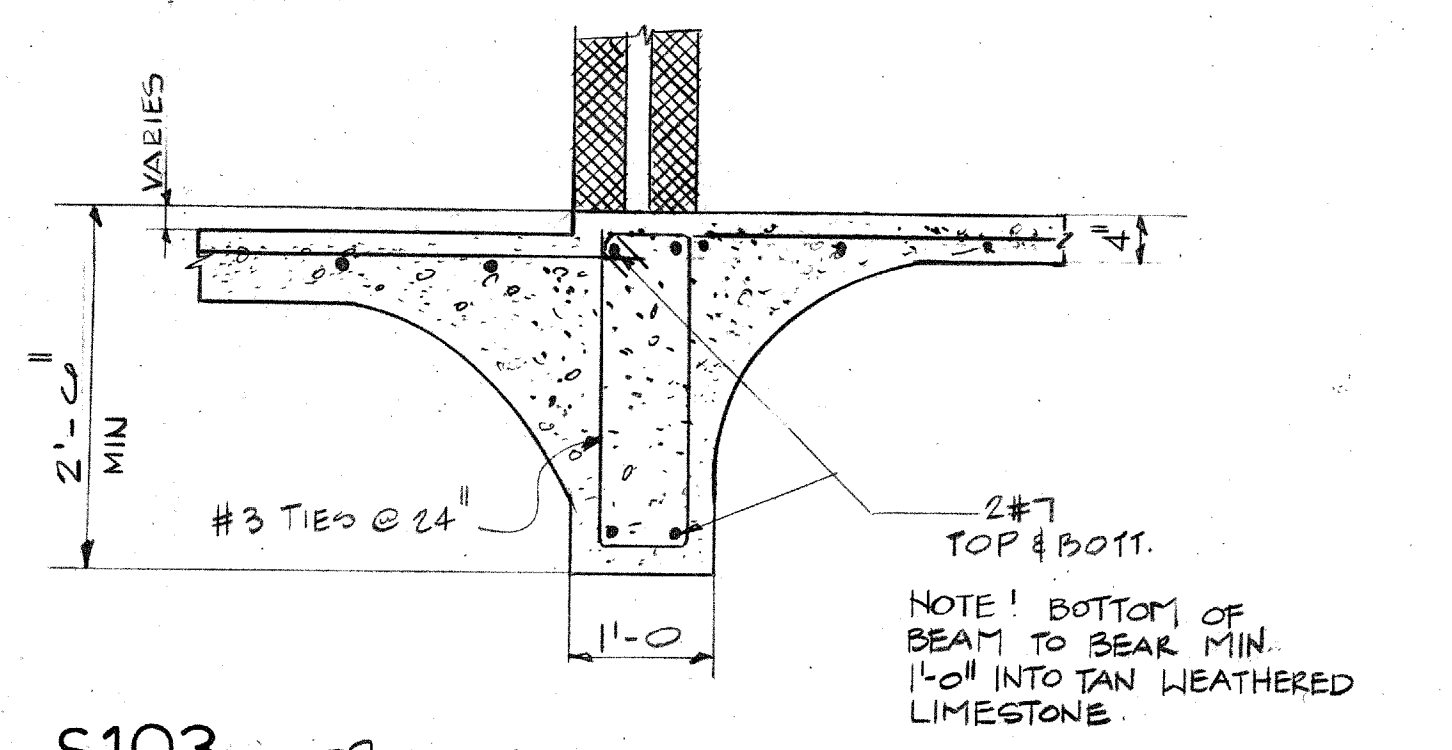
S106 FOUNDATION PLAN
 SC: 1/4"=1'-0"



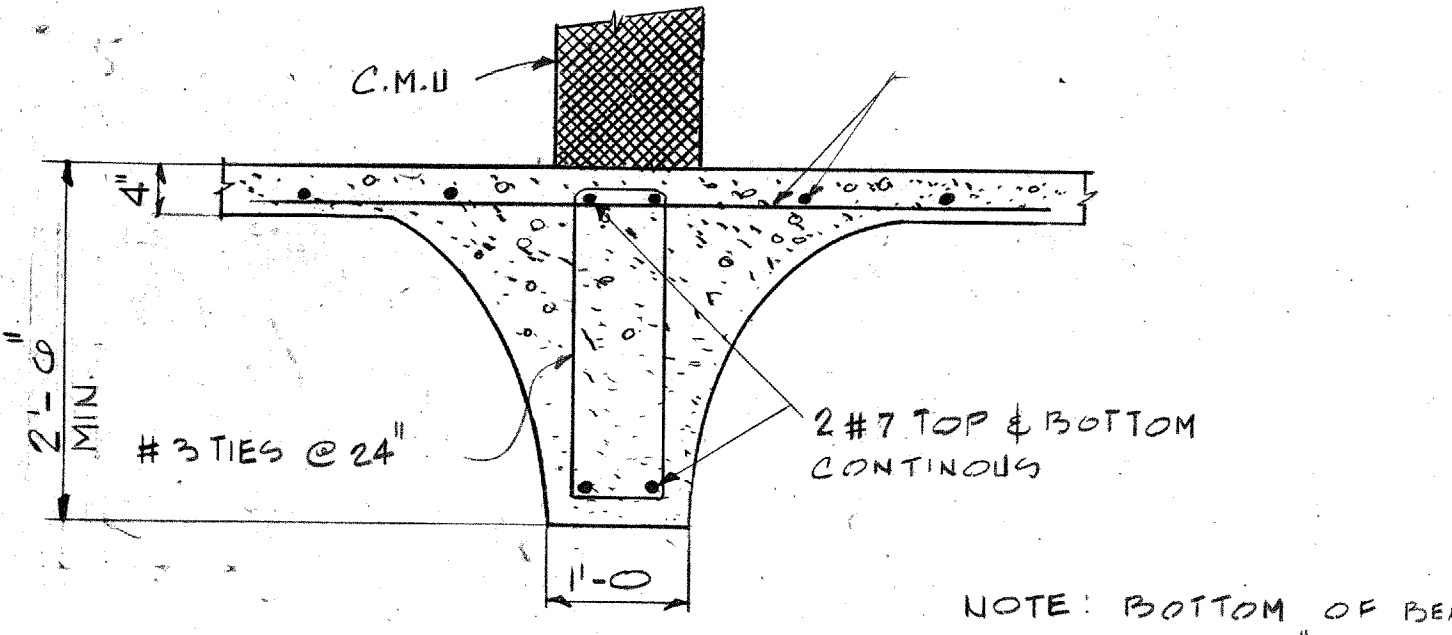
S101 SECTION
 SCALE 3/4"=1'-0"
 NOTE: BOTTOM OF BEAM TO BEAR MIN 1'-0" INTO TAN WEATHERED LIMESTONE



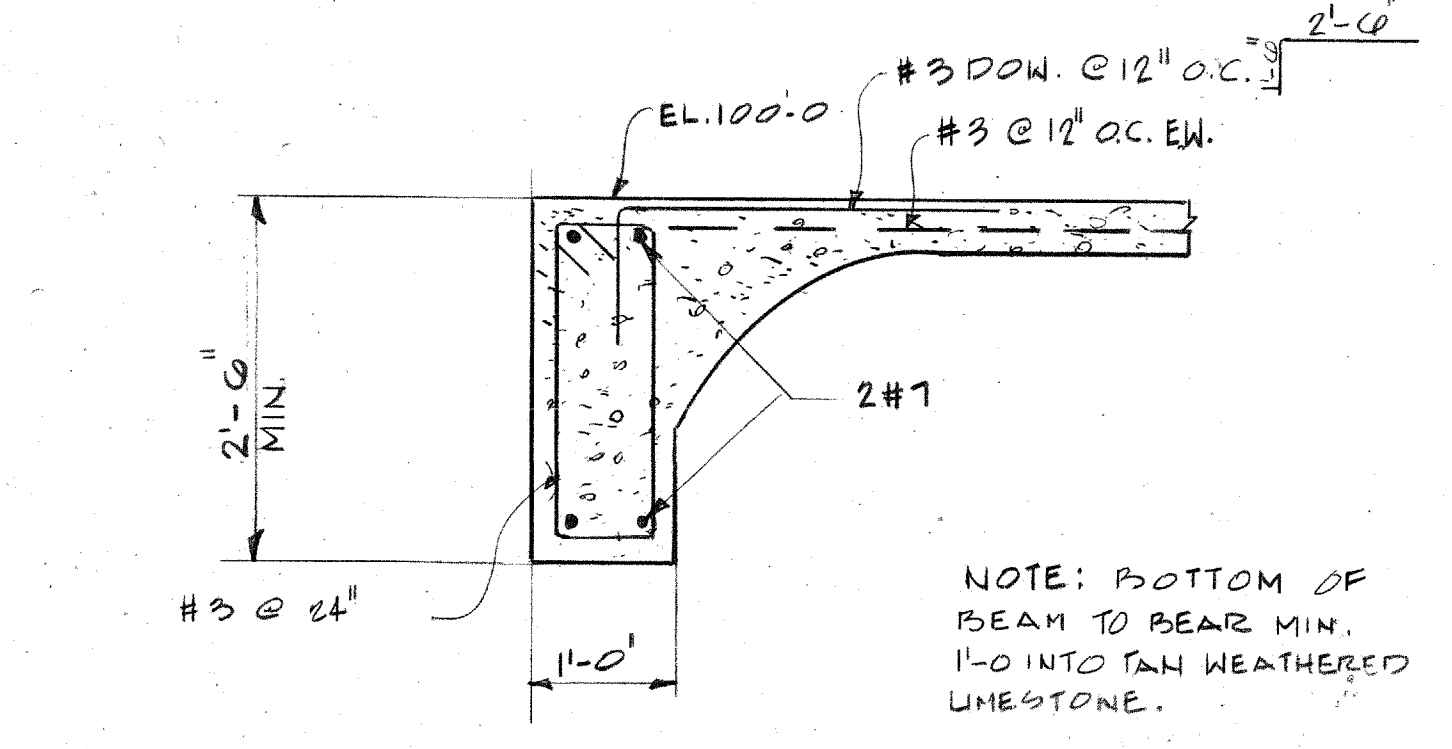
S102 SECTION
 SCALE 3/4"=1'-0"
 TYPICAL INTERIOR BEAM MADE A



S103 SECTION
 SCALE 3/4"=1'-0"



S104 SECTION
 SCALE 3/4"=1'-0"
 NOTE: BOTTOM OF BEAM TO BEAR MIN 1'-0" INTO TAN WEATHERED LIMESTONE



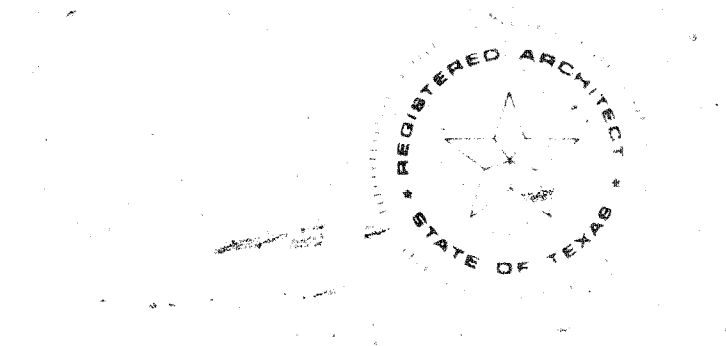
S105 SECTION
 SCALE 3/4"=1'-0"

NO.	DESCRIPTION	DATE

Associated Consulting Engineers, Inc.
 DALLAS, TEXAS 75201
 PROJ. NO. 81-1970

rw

rowls & welty inc.
 Architects / Planners
 16475 Dallas Parkway Suite 660
 Dallas, Texas 75248 (214) 931-0090



ADDISON FIRE STATION NO. 2

ADDISON, TEXAS

SHEET TITLE
 FOUNDATION PLAN & DTLS

810 80 PROJECT NO
 12-2-81 DATE
 SHEET NO
S-1
 OF 23