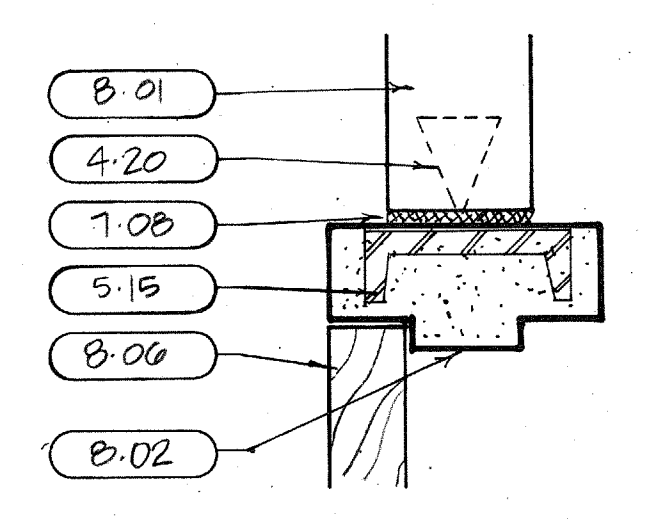
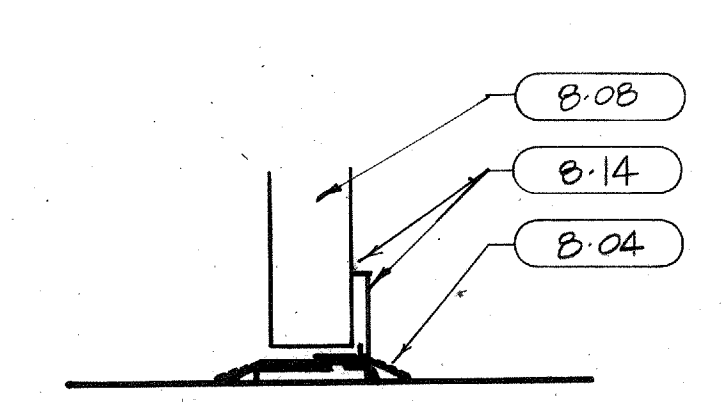


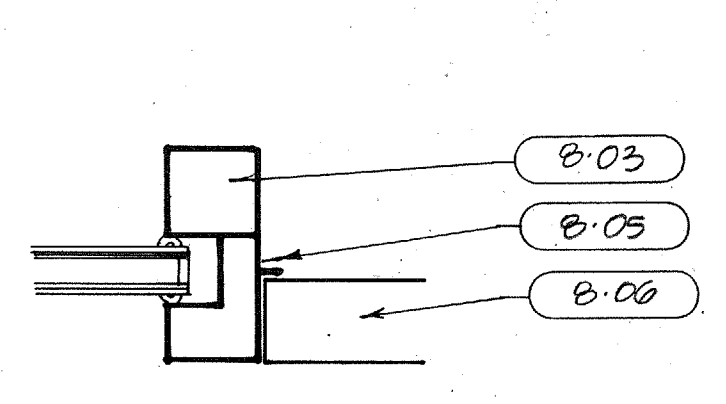
SHEET TIME  
SHEET  
ASSIGN TO  
DATE  
HOURS  
CODE  
COMB  
FOUR  
CHECKED  
REVISIONS  
KEYNOTING  
PRINTS TO  
OVERLAY  
RECIPE



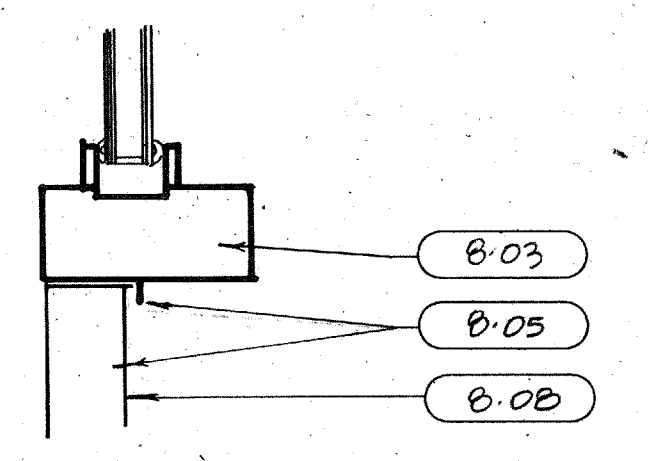
A 204 HEAD/JAMB SIM.



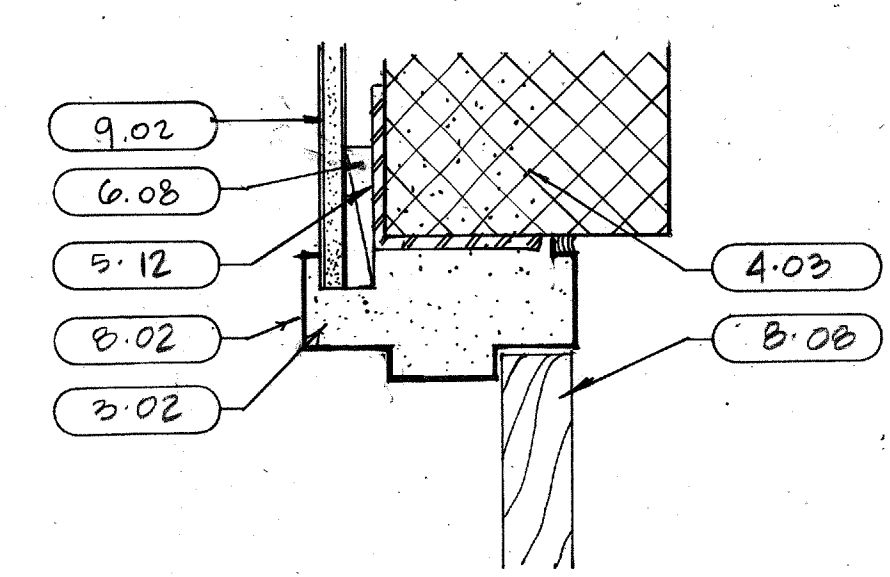
A 203 SILL



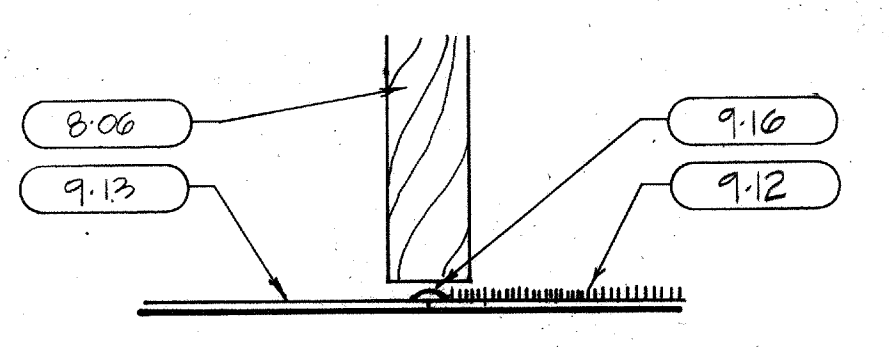
A 202 JAMB



A 201 HEAD

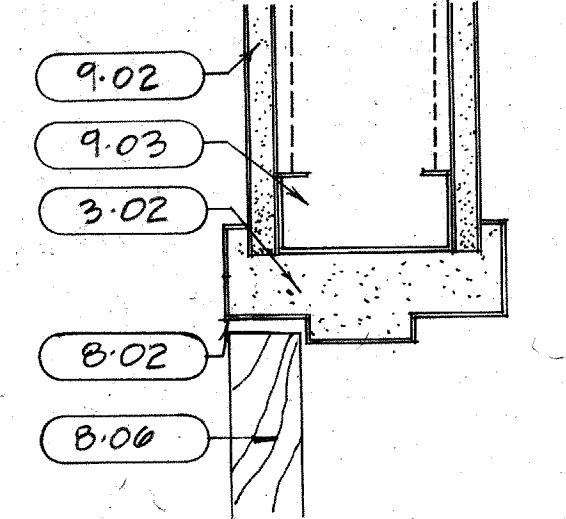


A 208 HEAD/JAMB SIM.

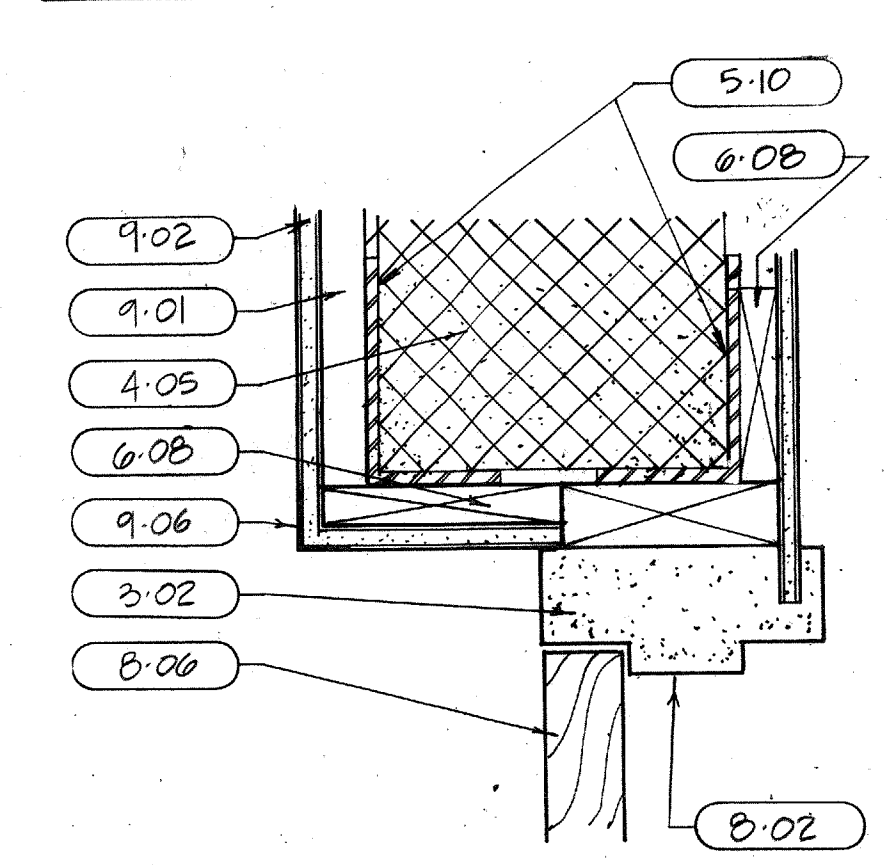


A 207 SILL

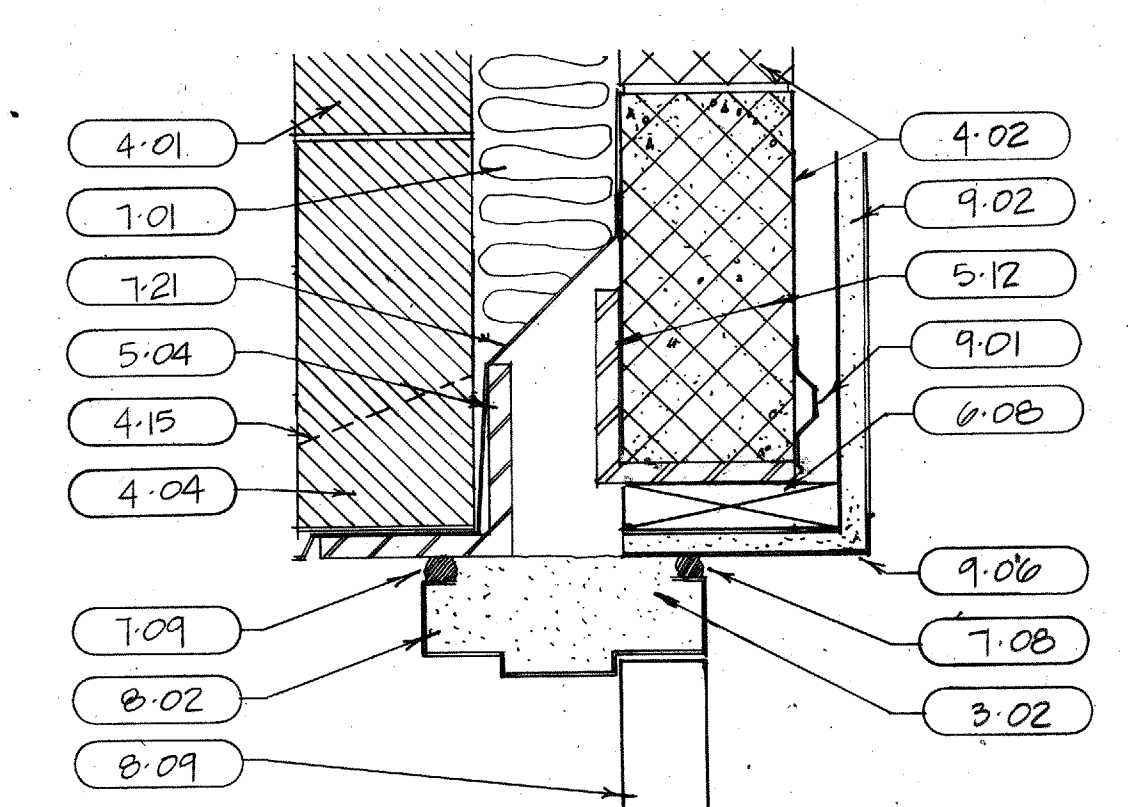
A 206 OMITTED



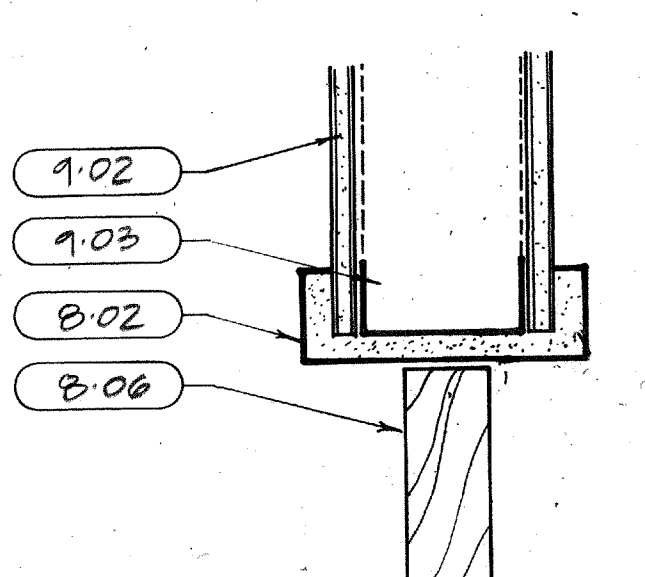
A 205 HEAD JAMB



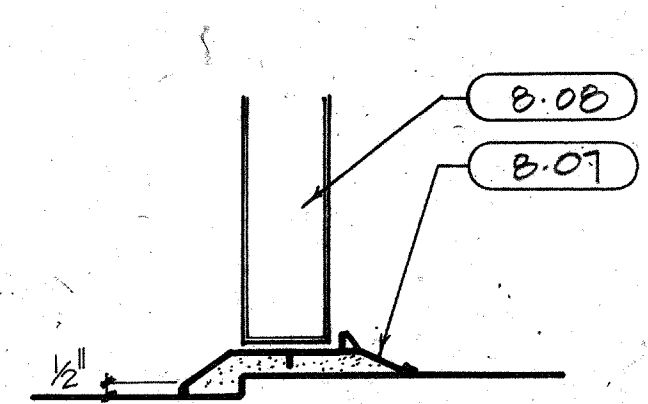
A 212 HEAD/JAMB SIM.



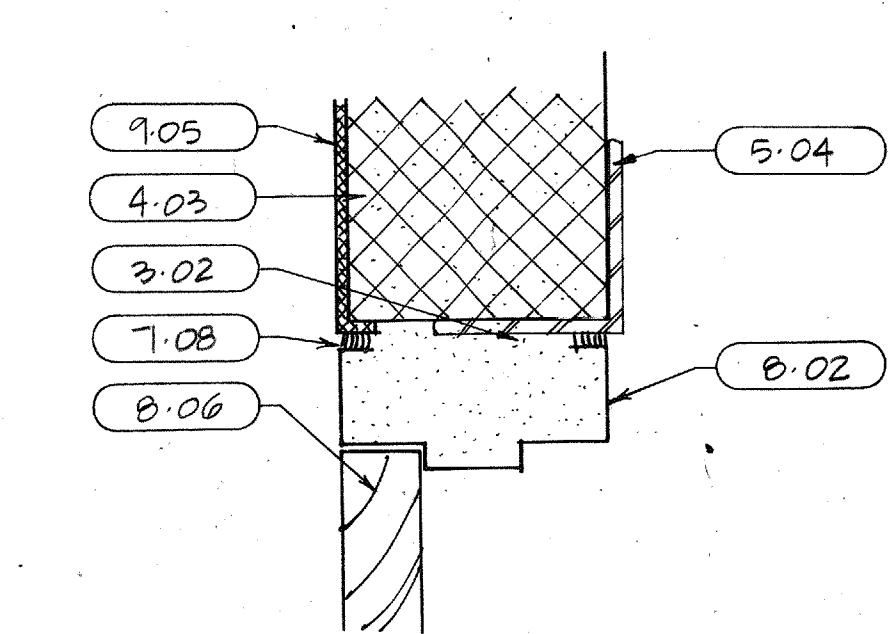
A 211 HEAD



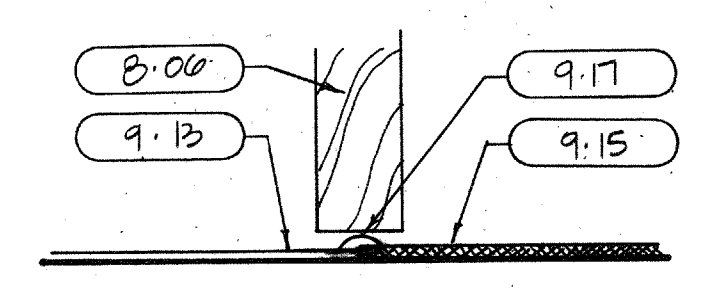
A 210 HEAD/JAMB



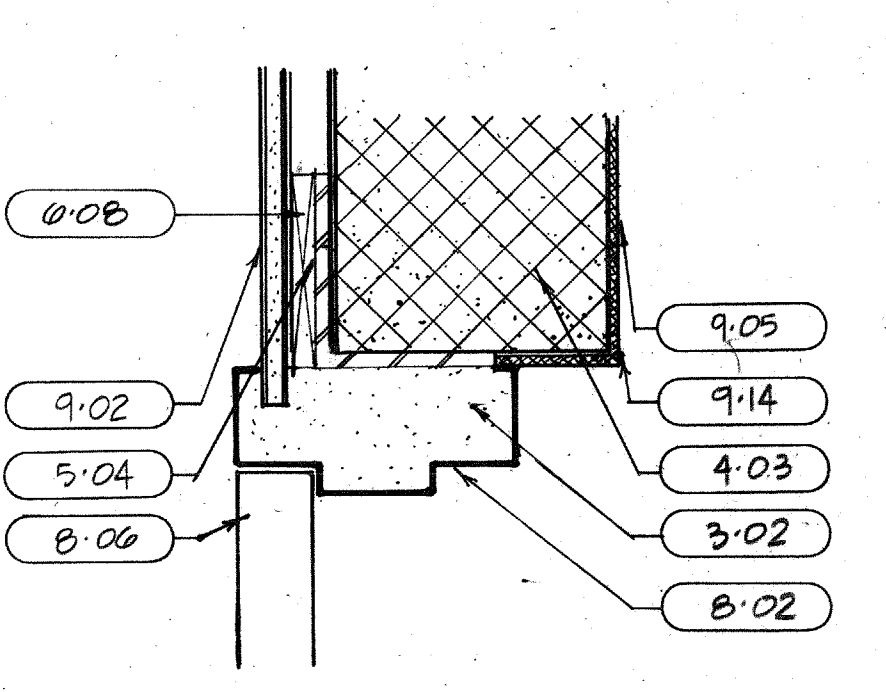
A 209 SILL



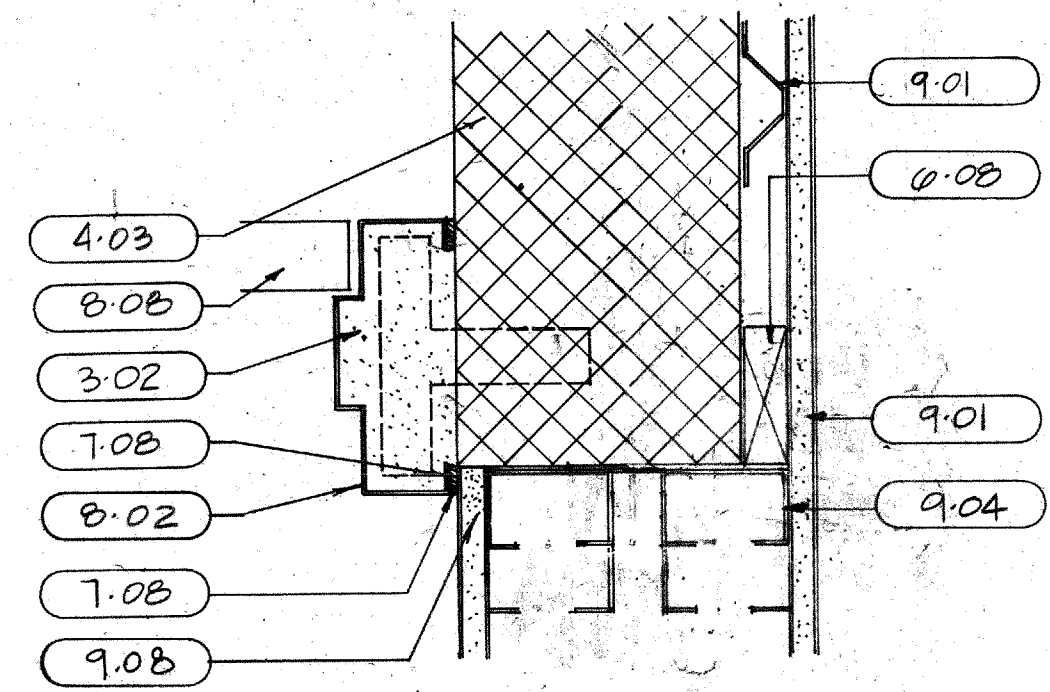
A 216 HEAD/JAMB SIM.



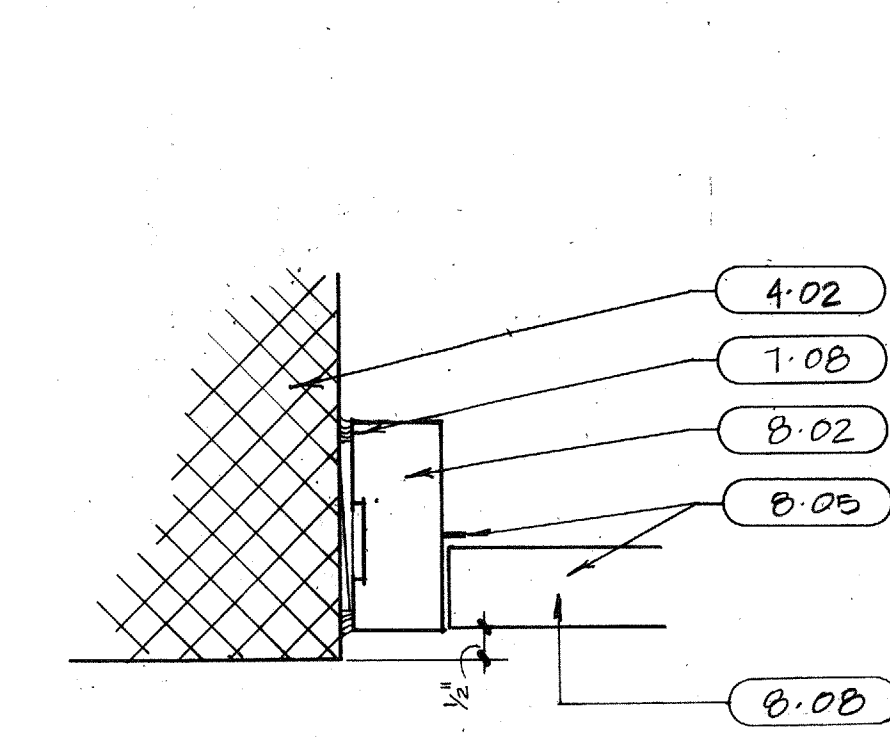
A 215 SILL



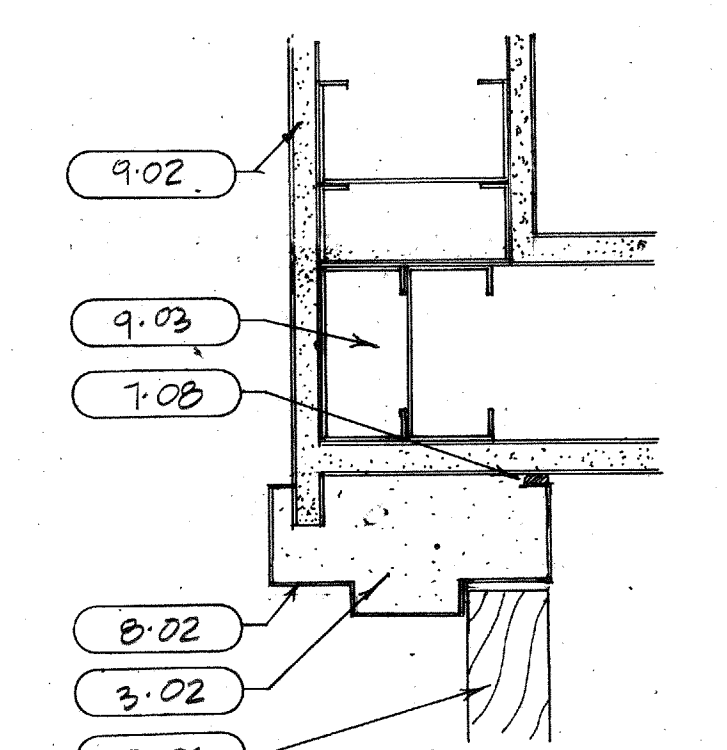
A 214 HEAD/JAMB SIM.



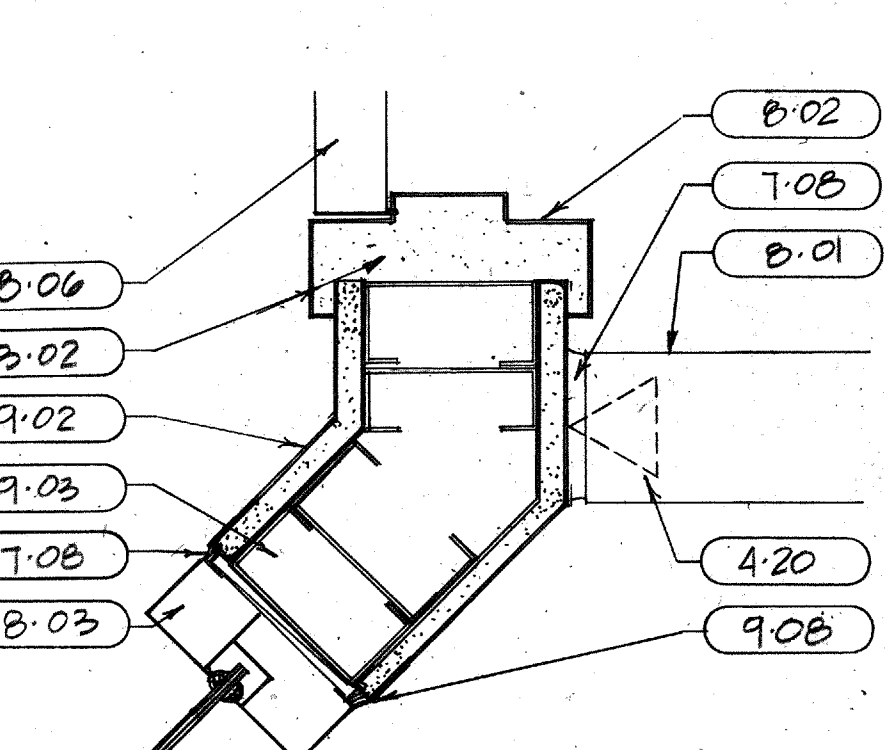
A 213 JAMB



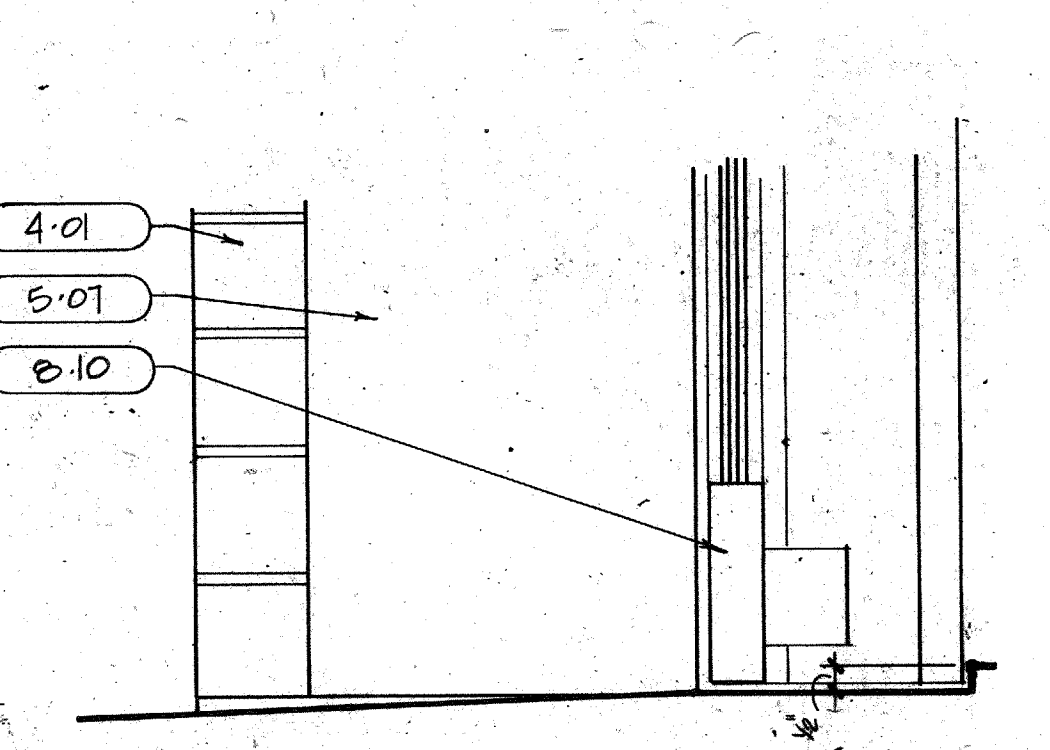
A 222 JAMB



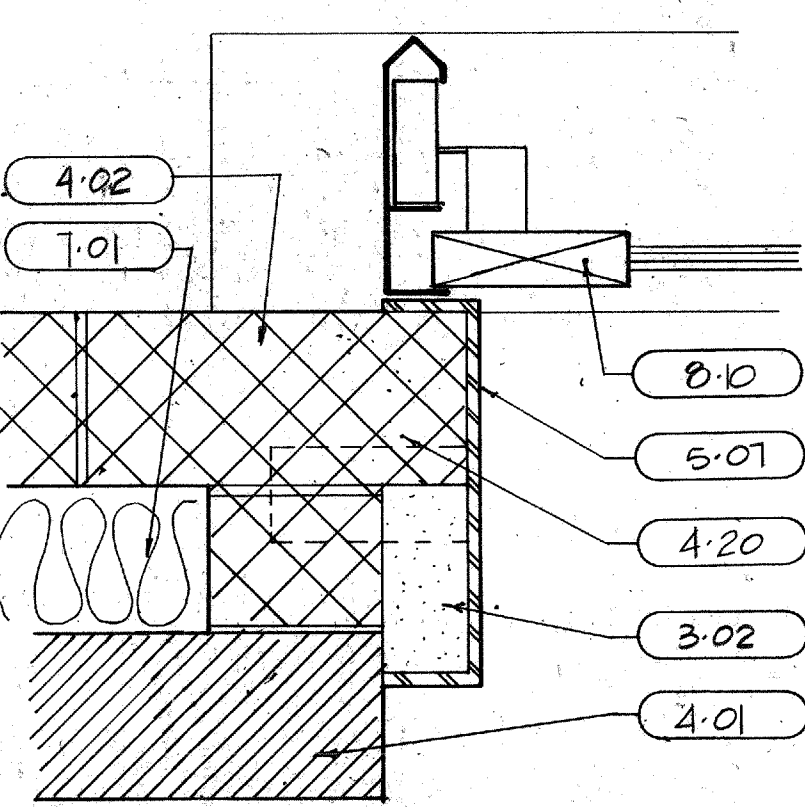
A 221 JAMB



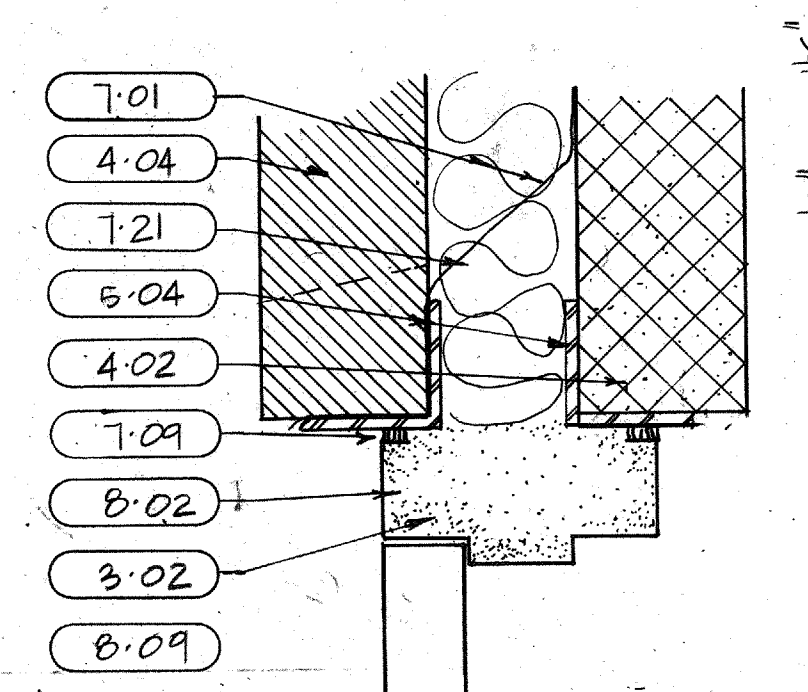
A 220 JAMB



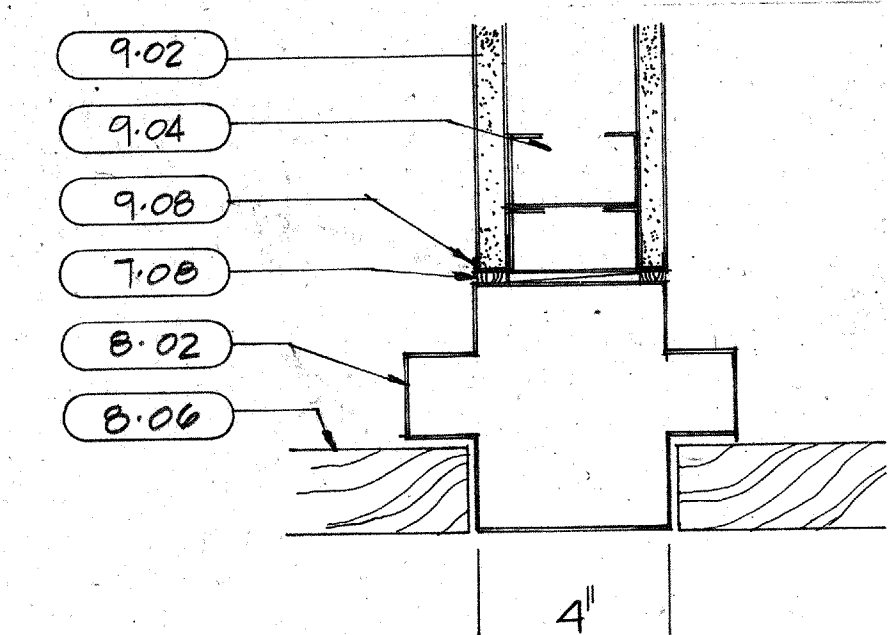
A 219 SILL



A 218 JAMB



A 217 HEAD/JAMB SIM.



A 223 JAMB

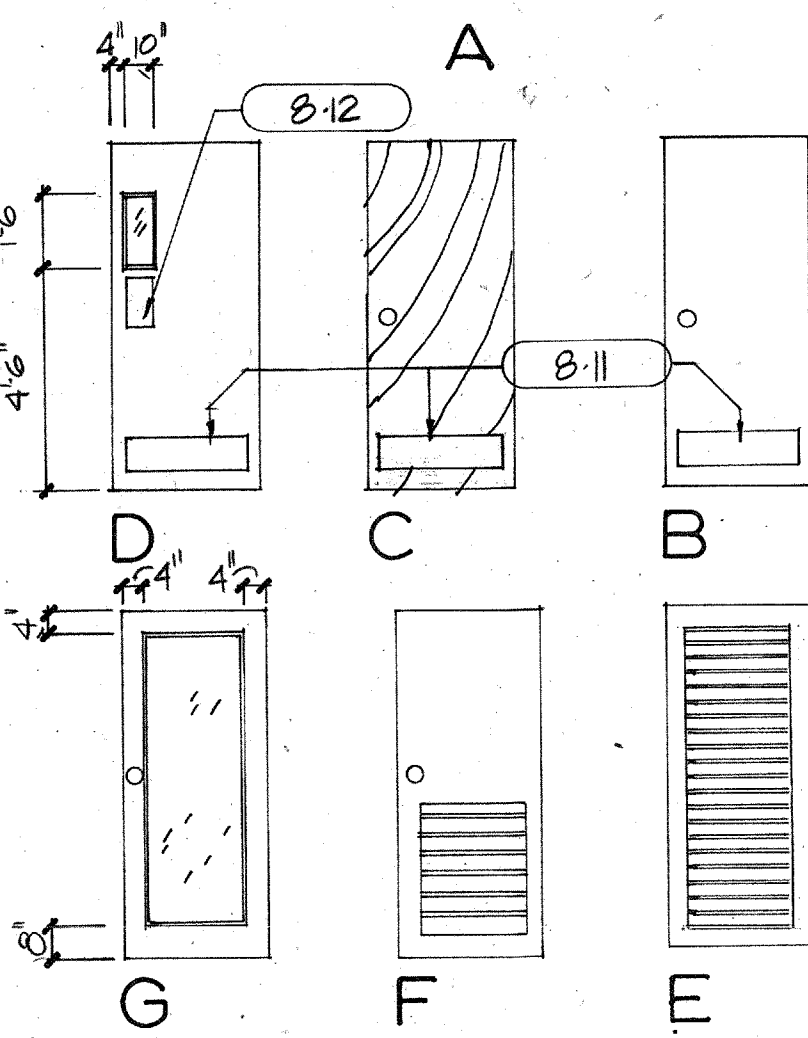
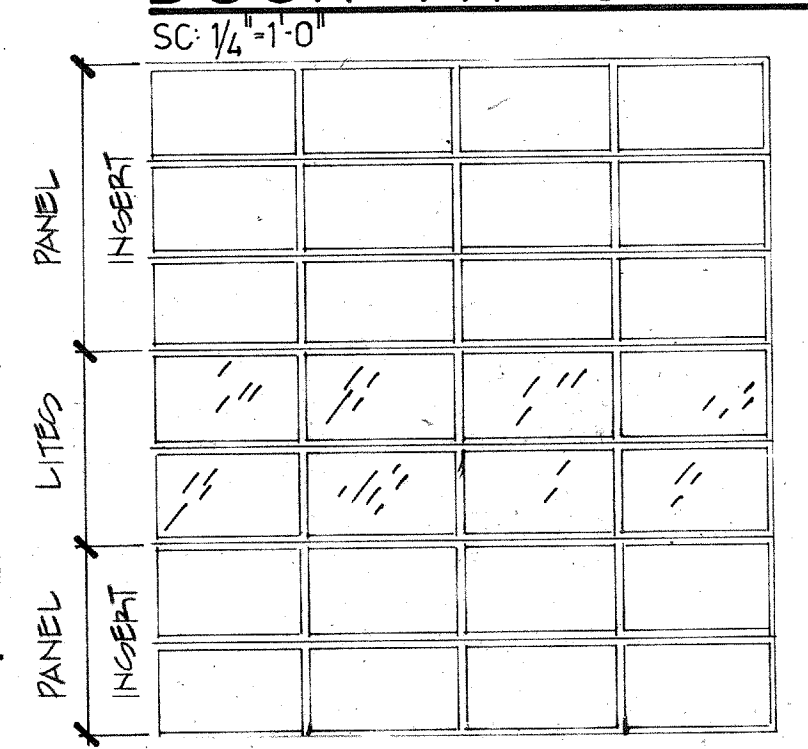
DOOR SCHEDULE										
NO.	TYPE	MATERIAL	DOOR SIZE			DOOR DETAILS			DESCRIPTION	
			WIDTH	HEIGHT	THICK	HEAD	JAMB	SILL		
1	B	MTL	3-0	7-2	1 3/4"	ALUM	A201	A202	A209	
2	C	SC/HD	2-10	6-8	1 3/4"	MTL	A204	A204		ACOUSTICALLY SEALED THRESHOLD W/STRIPPING @ HEAD & JAMB.
3	C	SC/HD	2-10	6-8	1 3/4"		A205	A205		
4	C	SC/HD	2-10	6-8	1 3/4"		A205	A205		
5	C	SC/HD	2-8	7-2	1 3/4"		A205	A205	A220	
6	C	SC/HD	2-8	6-8	1 3/4"		A205	A205	A207	
7	B	MTL	3-0	7-2	1 3/4"		A208	A208	A209	GLASS LITE (NARROW)
8	B	MTL	3-0	7-2	1 3/4"		A208	A208	A209	" " " "
9	B	MTL	3-4	7-2	1 3/4"		A208	A208	A209	GLASS LITE (NARROW)
10	C	SC/HD	2-8	6-8	1 3/4"		A205	A205	A207	
11	C	SC/HD	2-0	6-8	1 3/4"		A205	A205		
12	C	SC/HD	3-0	7-2	1 3/4"		A210	A210		PROVIDE DOOR LATCH @ FLOOR STOP IN DINING RM.
13	G	MTL	3-0	7-2	1 3/4"		A211	A201	A209	W/GLASS LITE (FULL)
14	C	SC/HD	3-0	7-2	1 3/4"		A205	A221	A207	
15	C	SC/HD	2-8	6-8	1 3/4"		A205	A205		
16	C	SC/HD	3-0	7-2	1 3/4"		A214	A214	A215	
17	C	SC/HD	2-0	7-2	1 3/4"		A205	A205		PROVIDE CHROME HAMBZ DOOR FOR DEEP THRESHOLD
18	C	SC/HD	7-2	3-0	1 3/4"		A205	A205		
19	C	SC/HD	2-4	6'-8"	1 3/4"		A210	A210		
20	C	SC/HD	3-0	7-2	1 3/4"		A208	A208		
21	C	SC/HD	3-0	7-2	1 3/4"		A212	A212	A207	
22	F	MTL	2-0	7-2	1 3/4"		A217	A217	A209	HALF LOWER W/ INSECT SCREEN
23	F	MTL	2-0	7-2	1 3/4"		A217	A217	A209	" " " "
24	A	MTL	13-0	14-0	1 3/4"		A211	A211	A219	OVERHEAD DOOR
25	A	MTL	13-0	14-0	1 3/4"		A211	A211	A219	" " " "
26	A	MTL	13-0	14-0	1 3/4"		A211	A211	A219	" " " "
27	B	MTL	3-0	7-2	1 3/4"		A209	A209		
28	B	MTL	3-0	7-2	1 3/4"		A209	A209		
29	B	MTL	3-0	7-2	1 3/4"		A209	A209		
30	B	MTL	3-0	7-2	1 3/4"		A209	A209		
31	B	MTL	3-0	7-2	1 3/4"		A209	A209		FULL LOWER
32	B	MTL	3-0	6-10	1 3/4"		A210	A210		FULL LOWER W/INSECT SCREEN
33	B	MTL	3-0	6-10	1 3/4"		A210	A210		FULL LOWER W/INSECT SCREEN
34	B	MTL	3-0	6-10	1 3/4"		A210	A210		FULL LOWER W/INSECT SCREEN
35	E	MTL	3-0	6-10	1 3/4"		A210	A210		FULL LOWER W/INSECT SCREEN
36	B	MTL	1'-11"	1'-11"	1 3/4"	ALUM	A319	A209	A209	
37	B	MTL	1'-11"	1'-11"	1 3/4"	ALUM	A319	A209	A209	
38	C	SC/HD	2-0	6-8	1 3/4"	MTL	A205	A205		
39	C	SC/HD	2-0	6-8	1 3/4"		A205	A205		
40	C	SC/HD	2-0	6-8	1 3/4"		A205	A205		
41	C	SC/HD	2-0	6-8	1 3/4"		A205	A205		
42	C	SC/HD	1'-0"	6-8	1 3/4"		A205	A223		
43	C	SC/HD	1'-0"	6-8	1 3/4"		A205	A223		
44	C	SC/HD	1'-0"	6-8	1 3/4"		A205	A223		
45							A204	A204		CASED OPENING 3'-4" X 7'-2"

KEYNOTES

- 3.02 GROUT
- 4.01 FACE BRK. (RUNNING BOND COURSING)
- 4.02 C.M.U. 4x8x16
- 4.03 C.M.U. 6x8x16
- 4.04 FACE BRK. (SOLID COURSING)
- 4.05 C.M.U. 8x8x16
- 4.15 WEEP HOLES
- 4.20 SOLID C.M.U. 4x8x16
- 5.04 4x4x1/4 ANGLE
- 5.07 C9 x 13.4 CHANNEL
- 5.10 5x5x5/16 ANGLE (L.L.V.)
- 5.12 4x3x1/4 ANGLE (L.L.V.)
- 5.15 CHANNEL (FROM FLOOR TO STRUCT. ABV.)
- 6.03 BLOCKING AS REQ'D.
- 7.01 FOAMED-IN-PLACE INSULATION
- 7.08 CAULKING
- 7.09 SEALANT (W/BACKER ROD AS REQ'D)
- 7.21 FLASHING
- 8.01 GLASS BLOCK
- 8.02 HOLLOW MTL. FRAME
- 8.03 ALUM. STOREFRONT
- 8.04 THRESHOLD-WATER RETURN (SET PAN IN MASTIC)
- 8.05 ALUM. STOREFRONT STOP
- 8.06 S.C. WOOD DOOR
- 8.07 THRESHOLD-PAN EXIT SADDLE W/ VINYL INSECT (SET THRESHOLD IN MASTIC)
- 8.08 HOLLOW MTL. DOOR
- 8.09 OVERHEAD DOOR
- 8.10 AUTOMATIC DOOR BOTTOM
- 8.11 CHROME KICK PLATE
- 8.12 CHROME PUSH PLATE
- 9.01 7/8" MTL FURRING CHANNEL'S @ 16" O.C.
- 9.02 5/8" GYP. BD.
- 9.03 3/8" MTL STUDS @ 16" O.C.
- 9.04 2" MTL STUDS @ 16" O.C.
- 9.05 CERAMIC TILE
- 9.06 MTL. CORNER REINFORCEMENT
- 9.07 EDGE REINFORCEMENT
- 9.12 CARPET
- 9.15 WOOD FLOOR
- 9.14 BULLNOSE CERAMIC TILE
- 9.17 CERAMIC TILE (NON SLIP FLOORING TILE)
- 9.18 VINYL TILES & CARPET JOINER
- 9.16 VINYL SADDLE
- 9.18 SHEET VINYL FLOORING

DRAWN BY		CHECKED BY	
REVISIONS	DESCRIPTION	DATE	

DOOR TYPES



**rawls & welty inc.**  
Architects / Planners  
16475 Dallas Parkway Suite 660  
Dallas, Texas 75248 (214) 931-0090

**ADDISON FIRE STATION NO. 2**

ADDISON, TEXAS

SHEET TITLE  
DOOR SCHEDULE & DTLS.  
SC: 3'-4" x 7'-2"

81080 PROJECT NO  
12-2-81 DATE  
SHEET NO  
A-2 OF 23