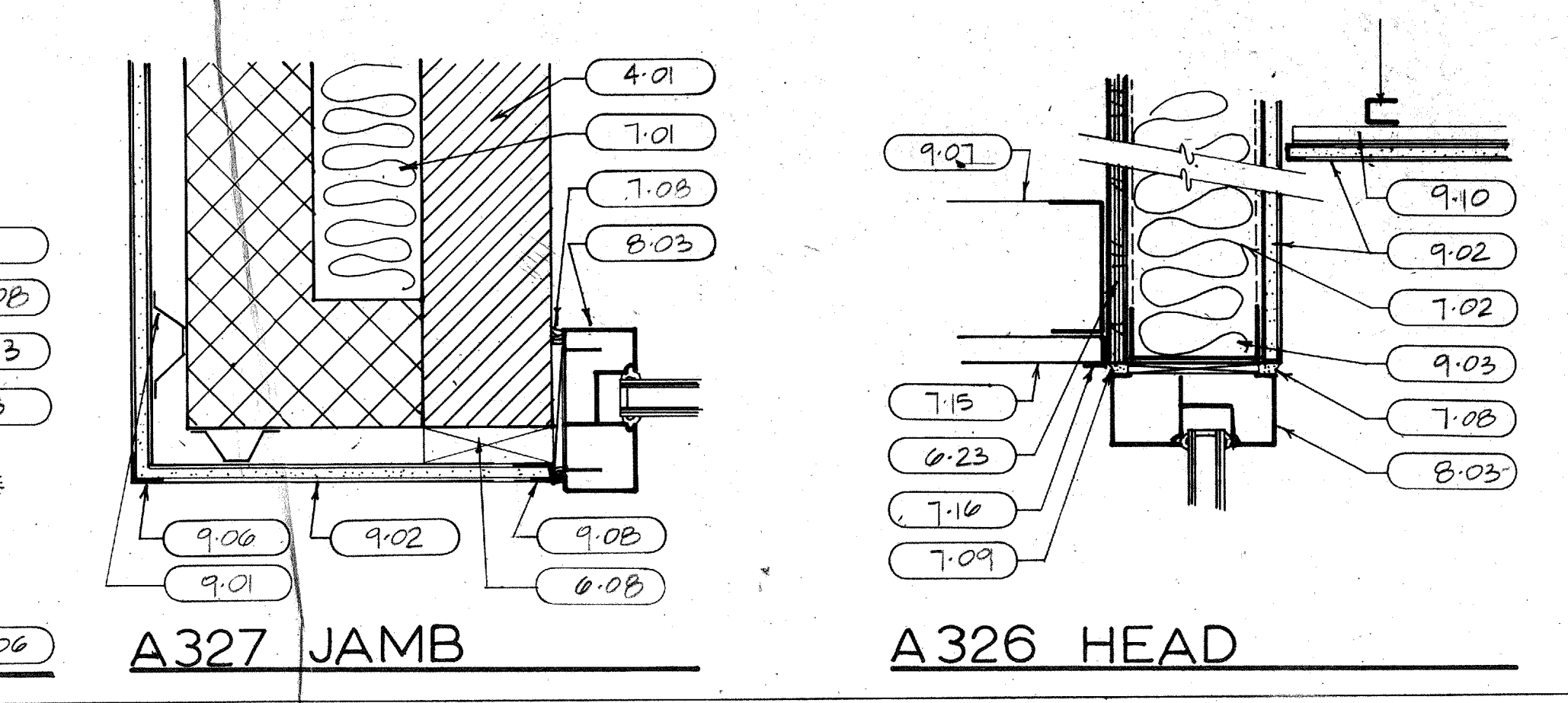
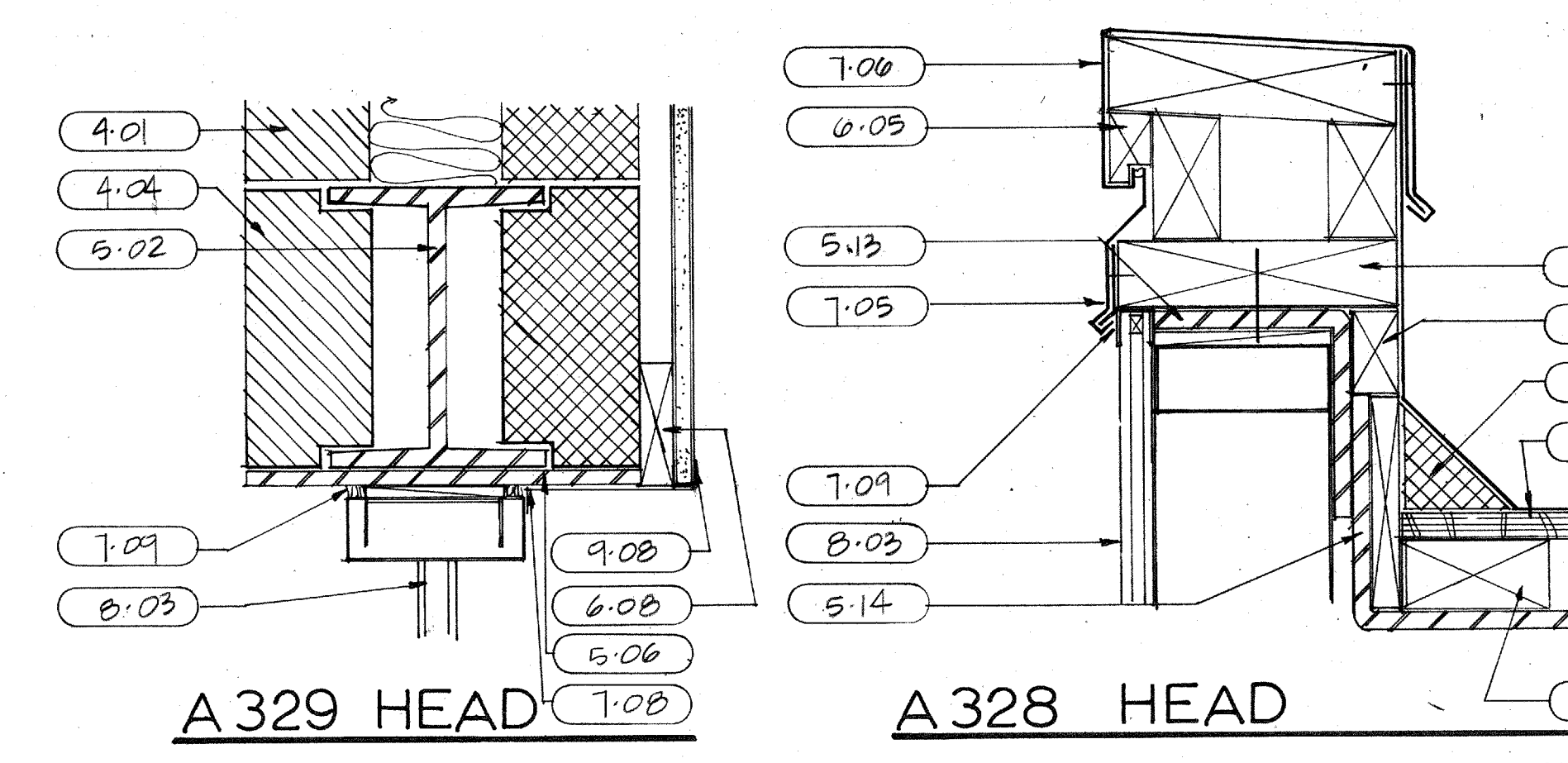
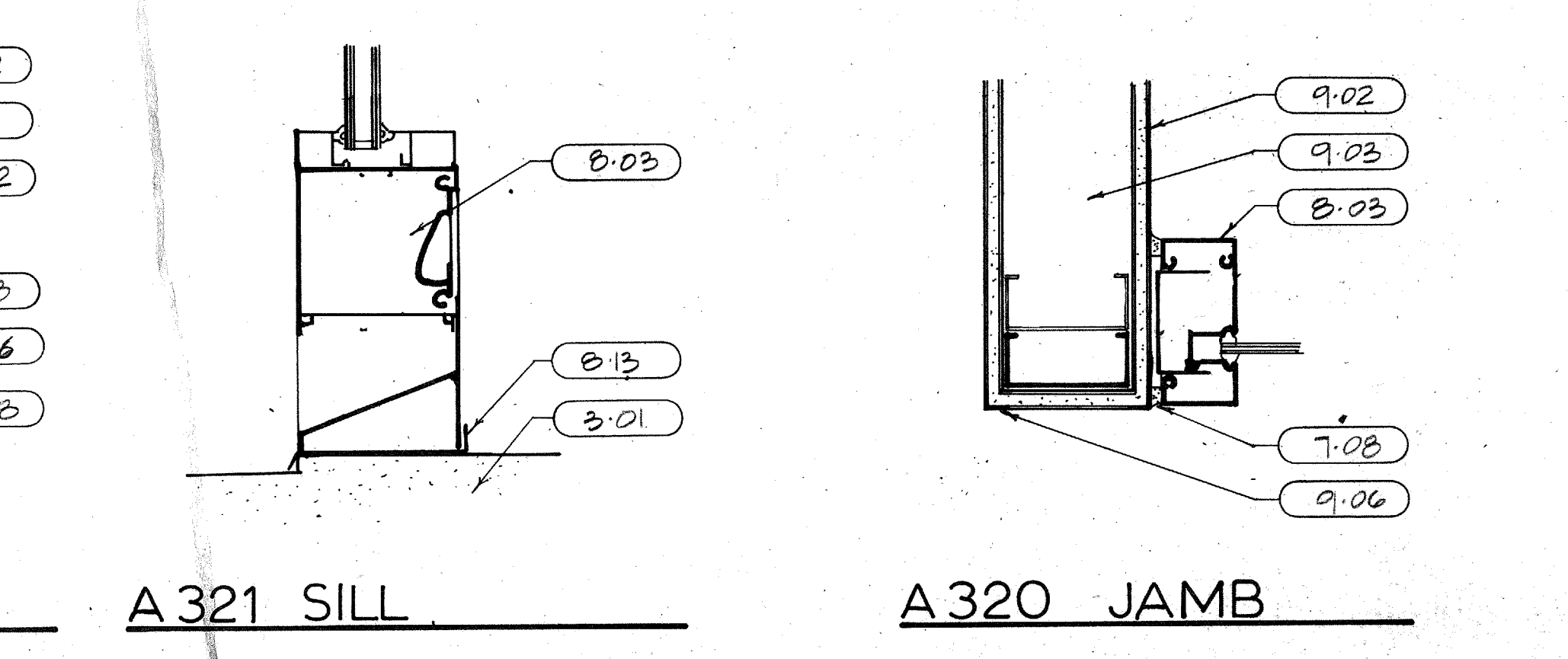
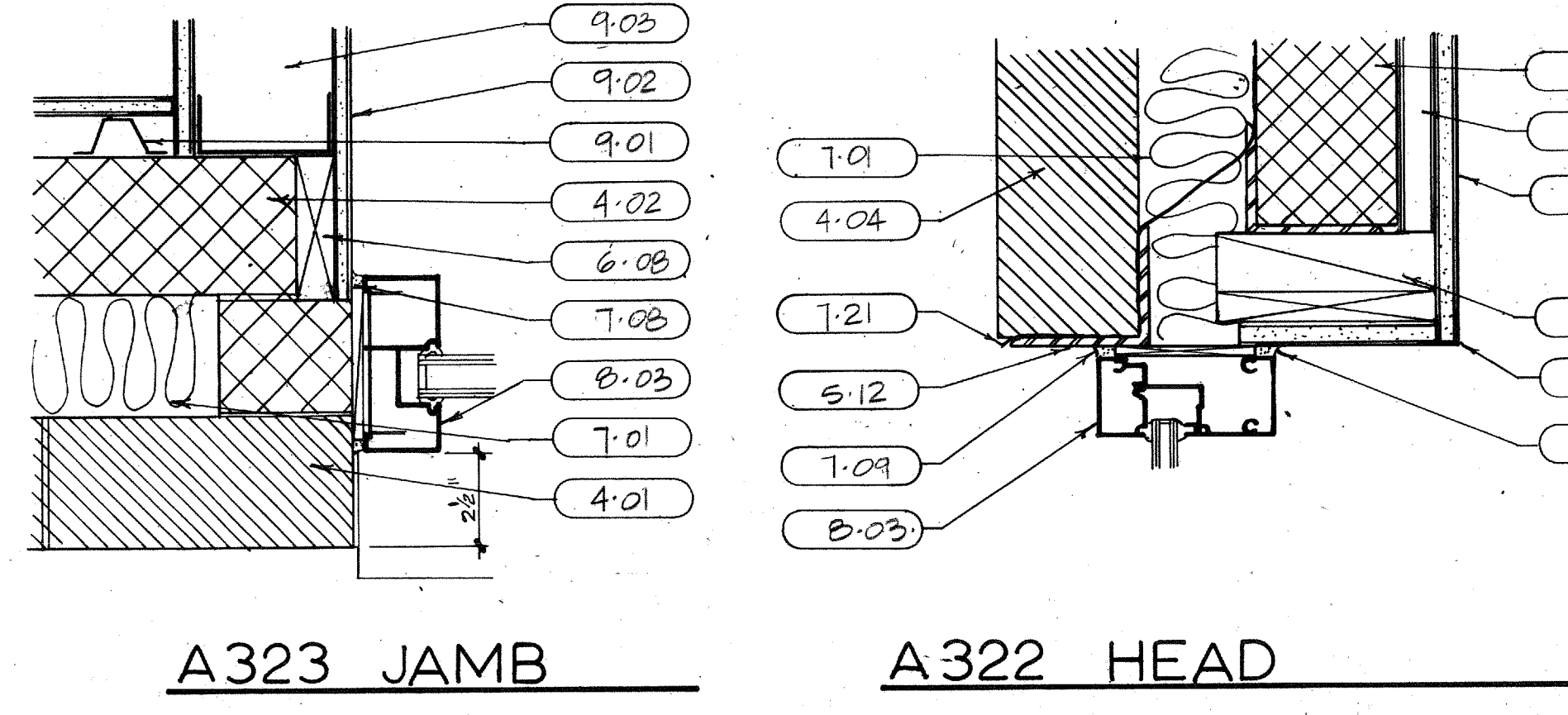
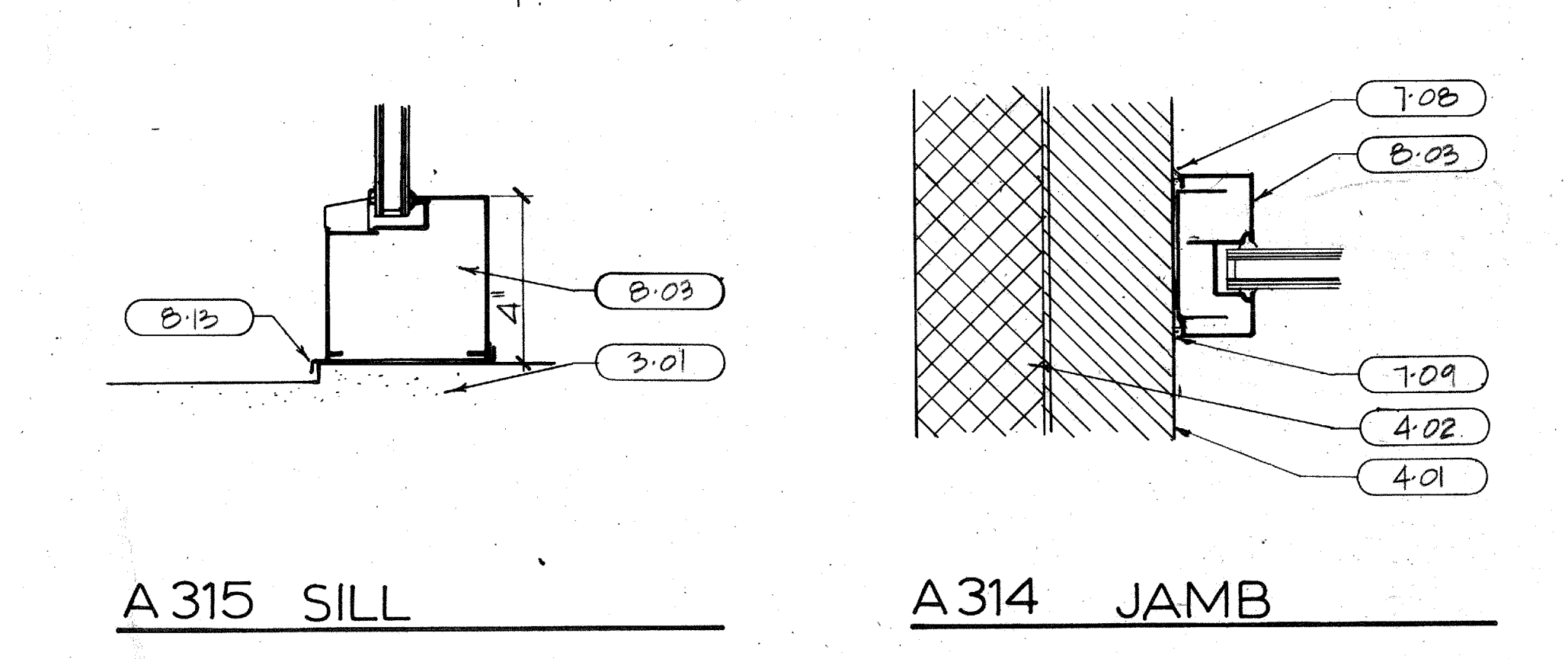
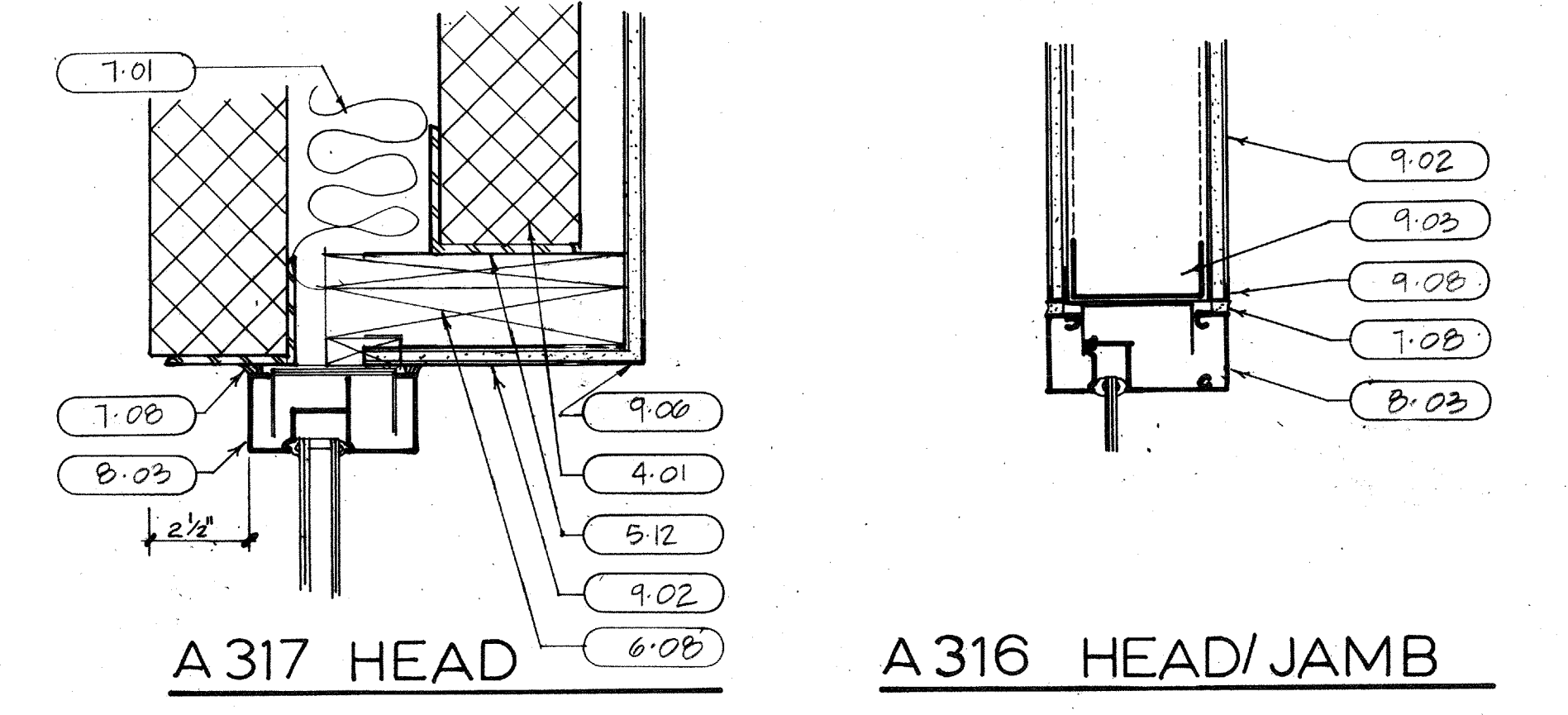
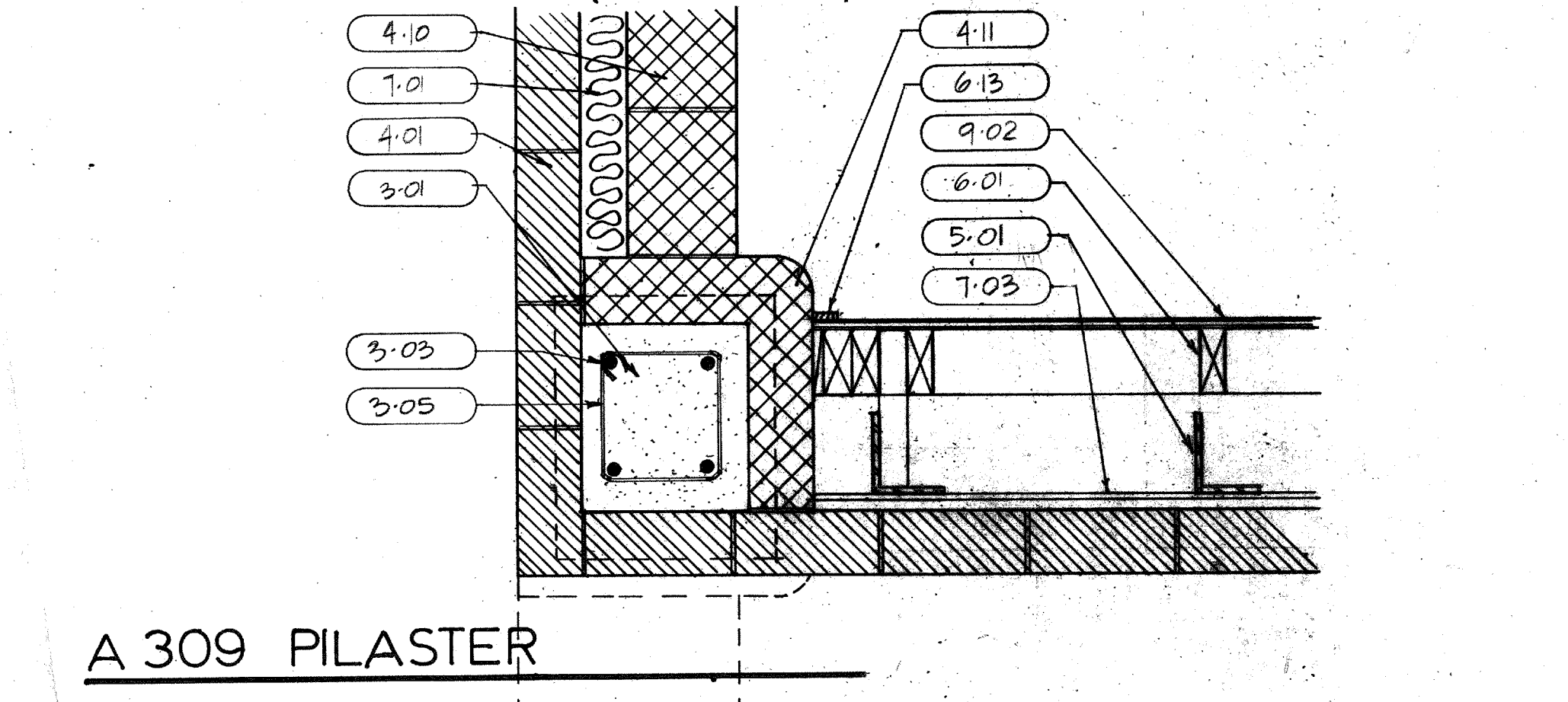
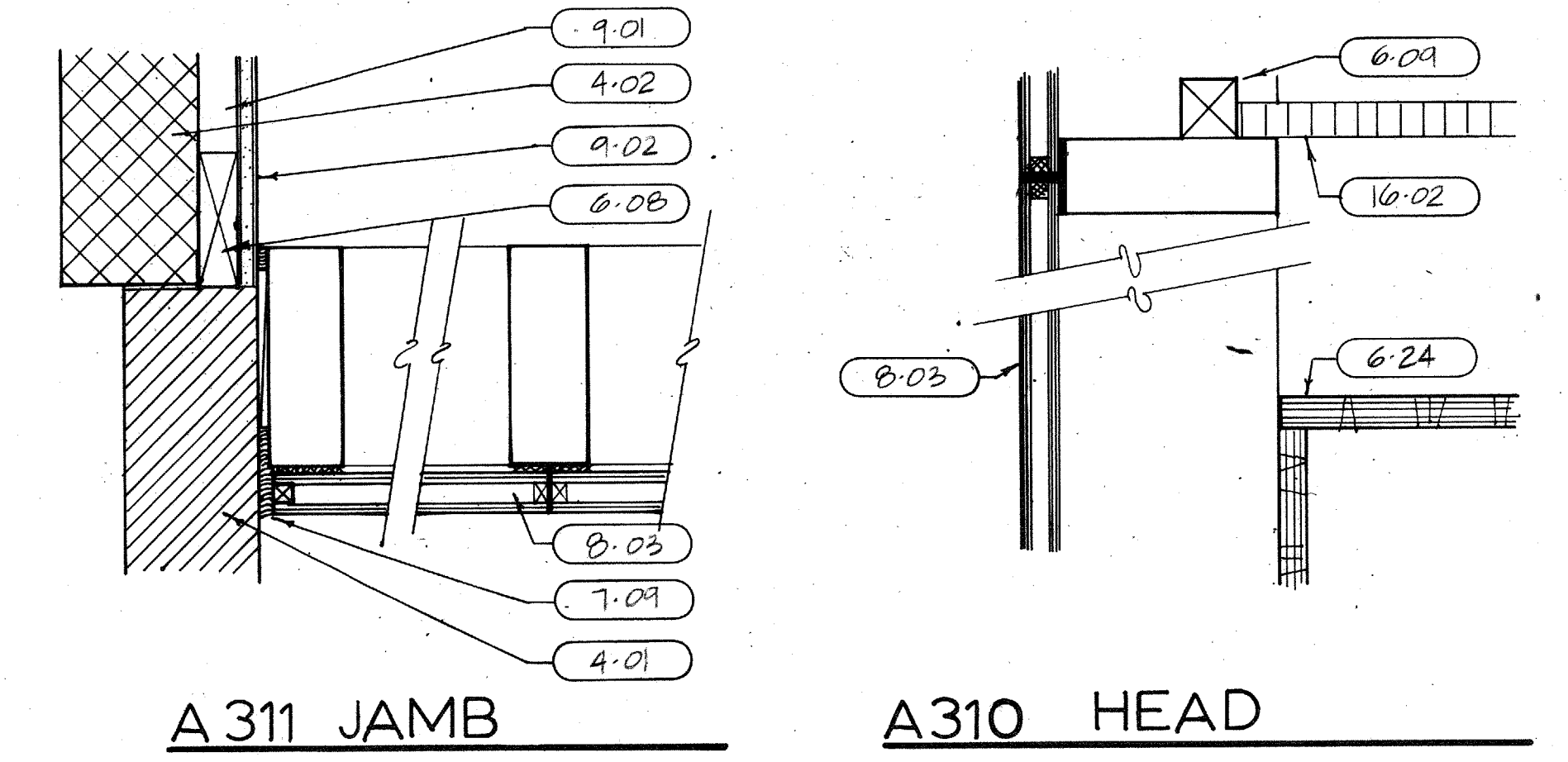
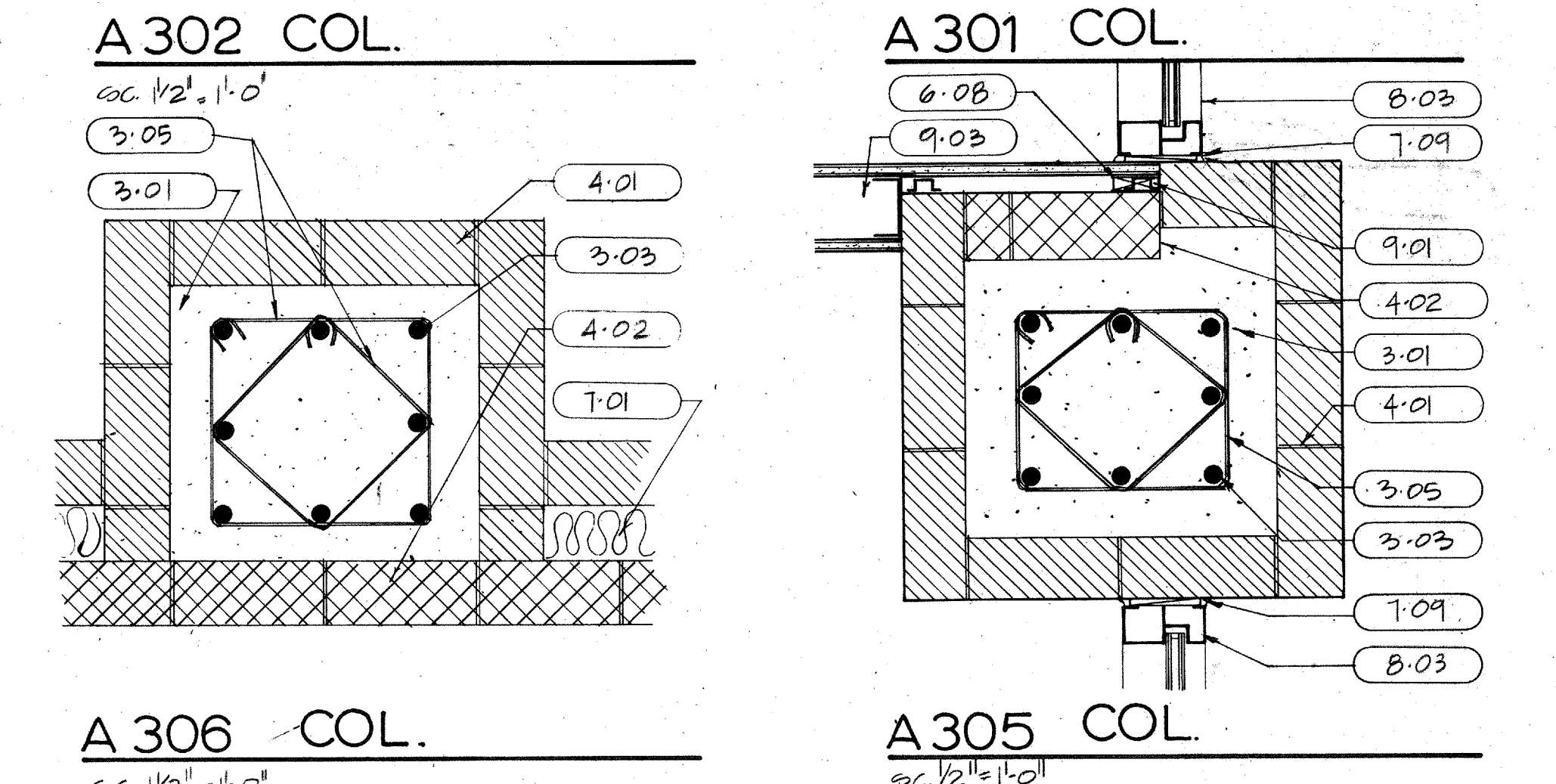
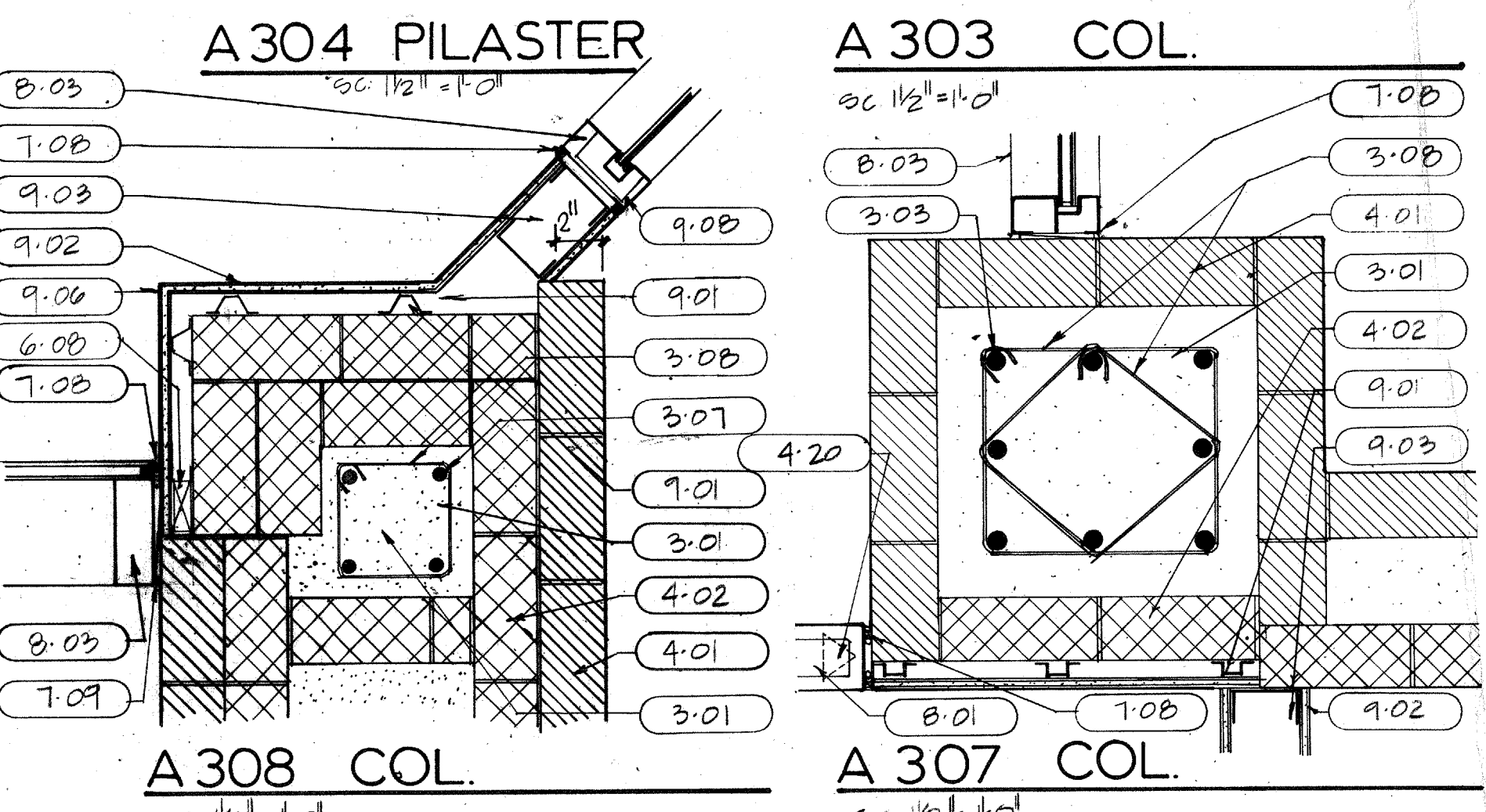
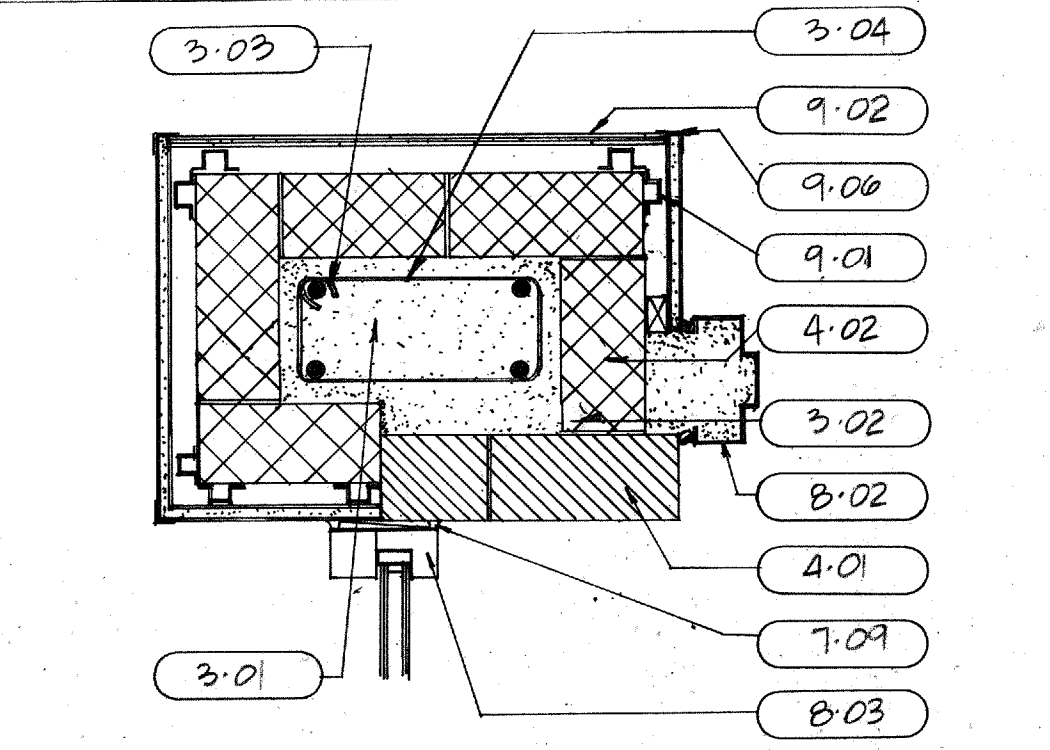
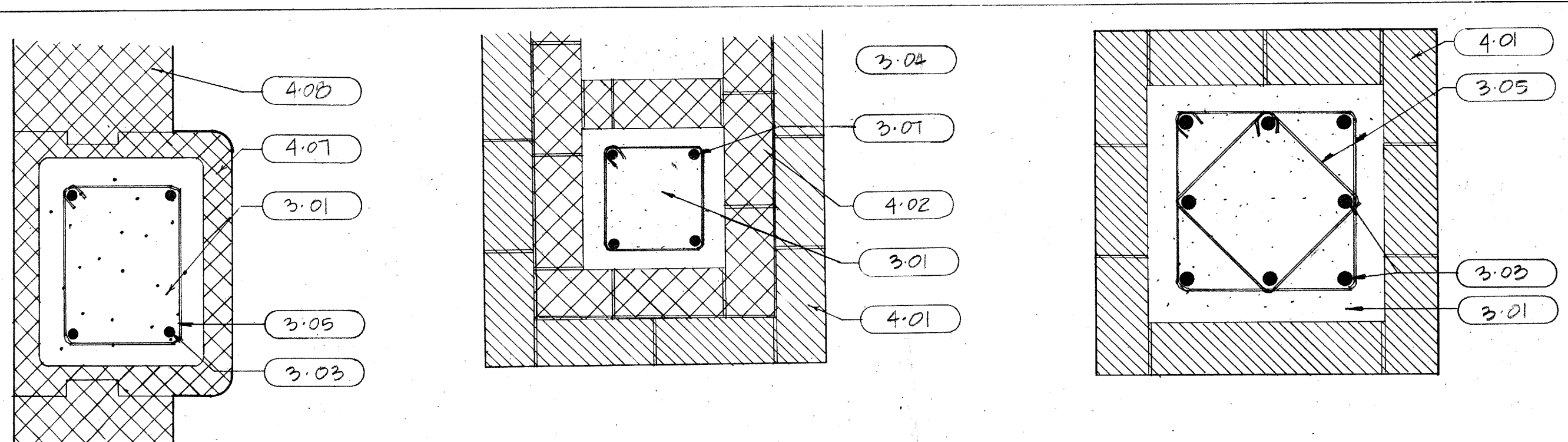
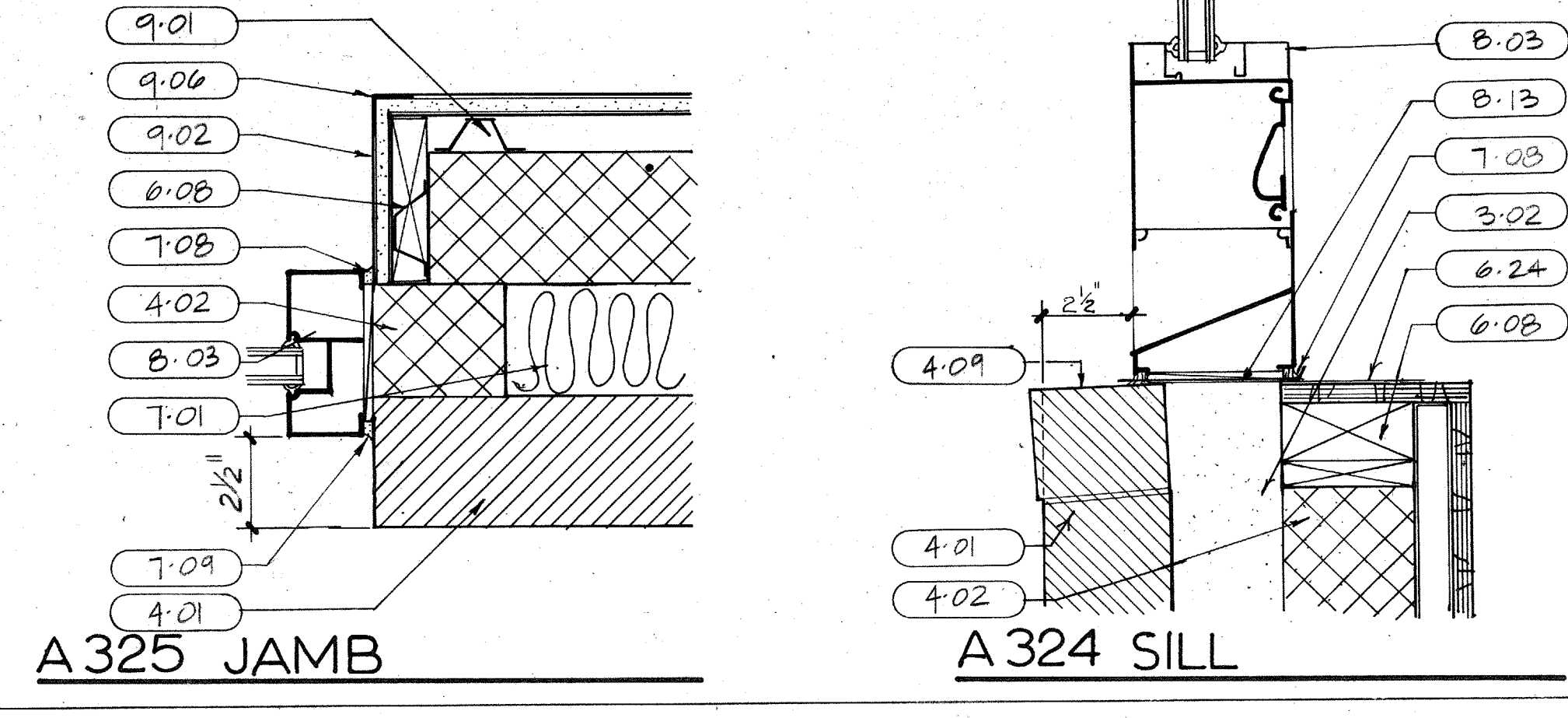
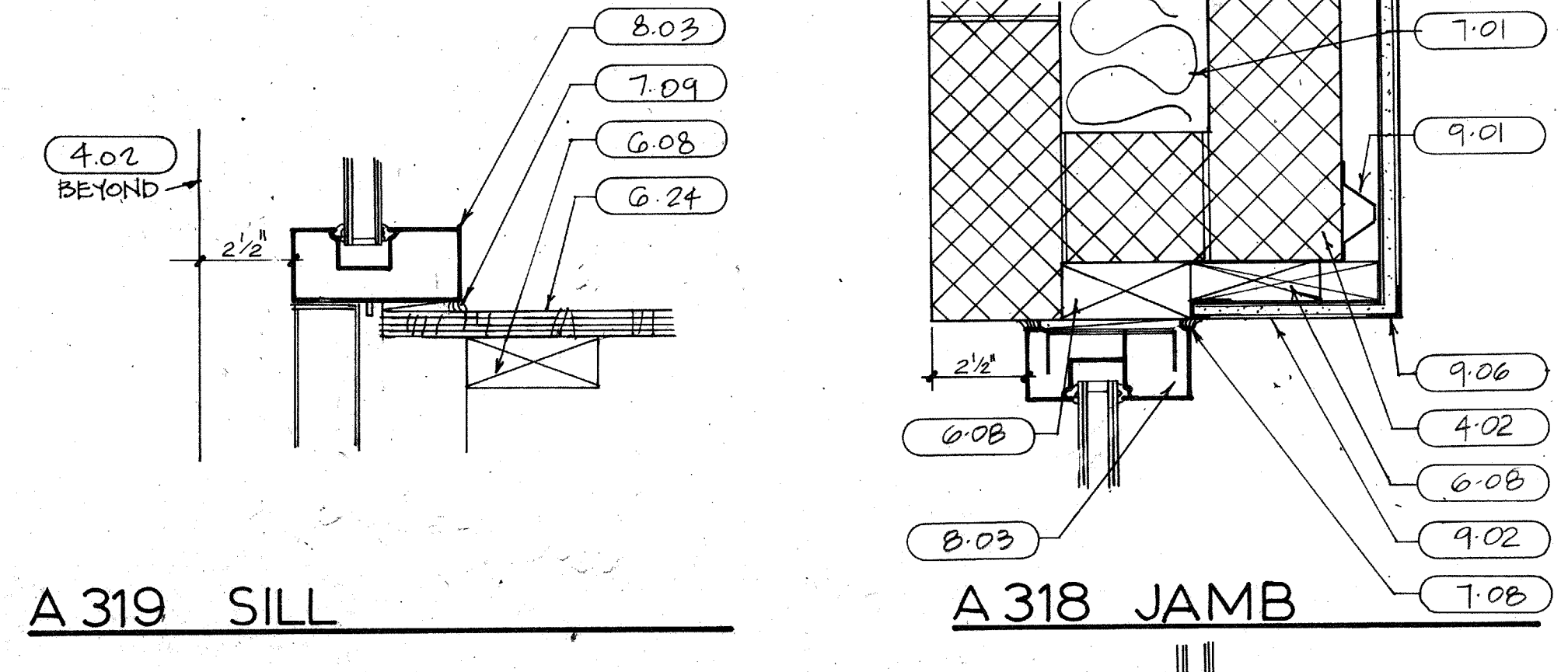
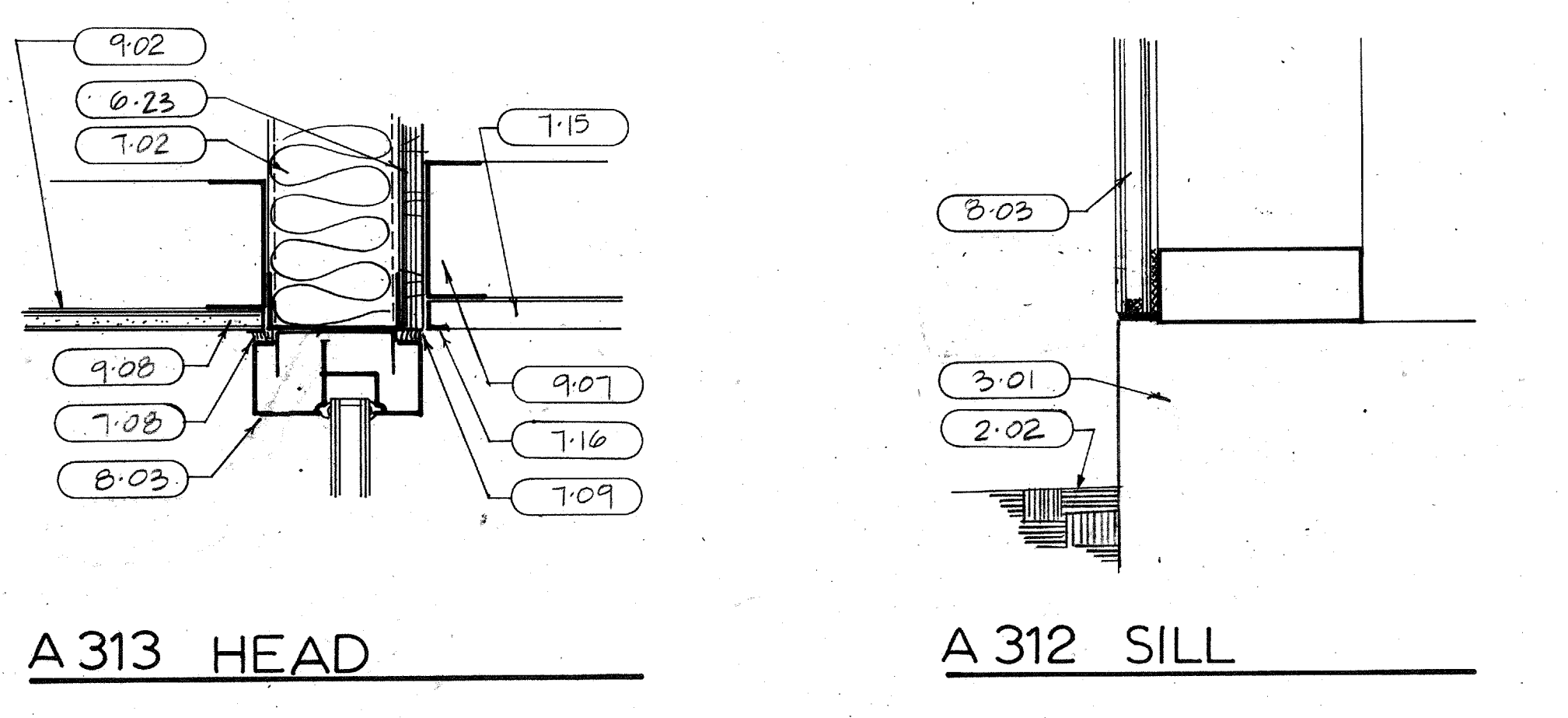
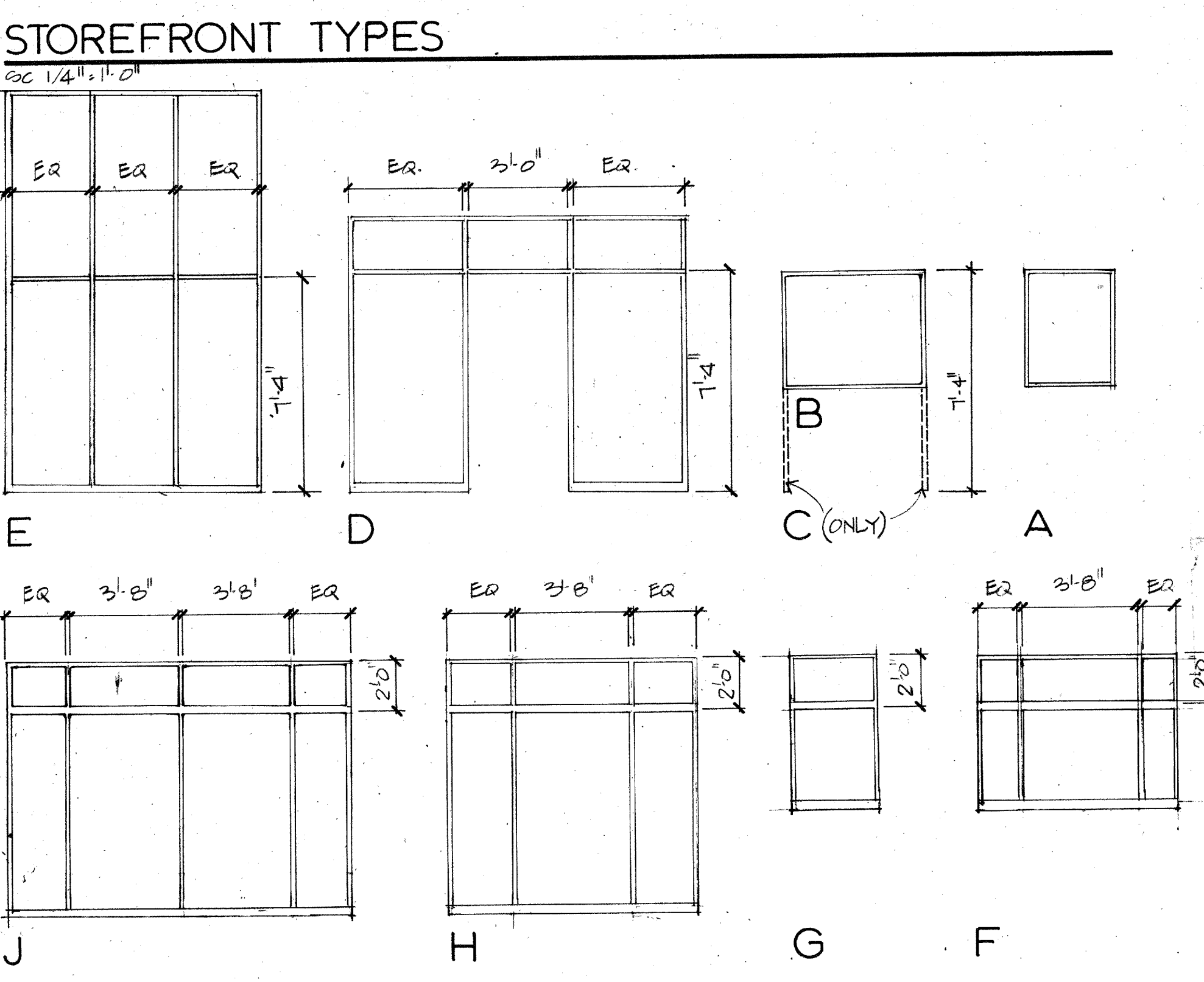


SHEET TIME
SHEET
ASSIGN TO
DATE
THURS
CODE
HOURS
PRINTS TO
CHECKED
REVISIONS
KEYNOTING
OVERLAY
REVIEW



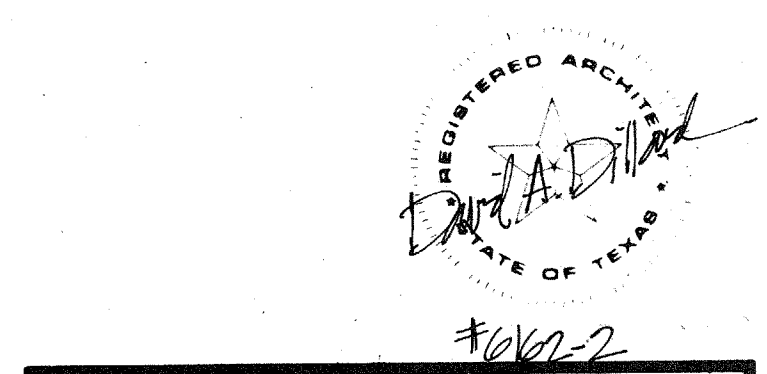
STOREFRONT SCHEDULE (KAWNEER)										
NO	TYPE	MATERIAL	TOP OF FRM. AFF.	WINDOW DETAILS			GLAZING TYPE	FRAME SIZE W x H	DESCRIPTION	REMARKS
				HEAD	JAMB	SILL				
1	E	ALUM	12'-5"	A308 A328	A308 A311	A312	DBL	6'-1 1/2" x 12'-5"	DESIGN VIEW 575 (PA PPH REG 502)	W/ REFLECTIVE GLAZING
2	D		7'-4"	A313 A316	A314 A220 A308	A315	DBL	11'-3 1/2" x 7'-4"	TRIFAP	451
3	B		7'-4"	A316	A220 A308	A317 S1M	SINGLE	9'-0" x 4'-0"		450
4	C		7'-4"	A317	A318	A319	DBL	3'-11 1/2" x 4'-0"		451
5	A		7'-4"	A316	A320 A308	A319 S1M	SINGLE	2'-10 1/2" x 4'-0"		450
6	J		8'-8"	A303 A327	A303 A301	A321	DBL	11'-1 1/2" x 8'-8"		451 VHM
7	H		8'-8"	A304 A325	A304 A305	A321	DBL	7'-1 1/2"		451 VHM
8	G		8'-8"	A322	A323 A325	A324	DBL	2'-11 1/2"		451 VHM
9	F		8'-8"	A329	A326 A325	A324	DBL	6'-7 1/2"		451 VHM
10	H		8'-8"	A326	A327	A321	DBL	8'-3 1/2"		451 VHM



- KEY NOTES**
- 3.01 REINFORCED CONC. (3000 P.S.I.)
 - 3.02 GROUT
 - 3.03 #6 BAR, VERT.
 - 3.04 #3 TIES @ 8" O.C.
 - 3.07 #5 BAR, HORIZ.
 - 3.08 #5 TIES @ 7" O.C., VERT.
 - 4.01 FACE BRK (RUNNING BOND COURSING)
 - 4.02 C.M.U. 4x8x16
 - 4.04 FACE BRK (SOLDIER COURSING)
 - 4.07 C.M.U. PILASTER
 - 4.08 C.M.U. 12x8x16
 - 4.09 FACE BRK (ROWLOCK COURSING)
 - 4.10 ACOUSTICAL C.M.U. 6x8x16
 - 4.11 SILLNOSE C.M.U. 4x8x16
 - 4.20 MASONRY TIES @ 16" O.C.
 - 5.01 2x2x3/16 ANGLE @ 2'-0" O.C.
 - 5.02 STL. BR. (REF. STRUCT. PLAN)
 - 5.05 3/8" PLATE
 - 5.12 4x3x1/4 ANGLE (L.L.V.)
 - 5.13 5x5x5/16 ANGLE
 - 5.14 6x6x3/8 ANGLE
 - 6.01 2x4 STUDS @ 16" O.C.
 - 6.05 2x CONTINUOUS SUB
 - 6.06 SHIMS AS REQ'D.
 - 6.08 BLOCKING AS REQ'D.
 - 6.09 2x PLATE (NOTCHED & TRIMMED AS REQ'D)
 - 6.13 1x TRIM
 - 6x15 1-1/8" EXT. PLYWD DECK
 - 7.01 FOAMED-IN-PLACE INSULATION
 - 7.02 BATT INSULATION
 - 7.03 #15 FELT
 - 7.05 PREFINISHED MTL. FASCIA (W/CLEAT ATTACHMENT)
 - 7.06 PREFINISHED MTL. FASCIA & PARAPET CAP (W/CLEAT ATTACHMENT)
 - 7.08 CAULKING
 - 7.09 SEALANT (W/BACKER ROD AS REQ'D)
 - 7.13 CONT. CANT STRIP
 - 7.15 PREFINISHED MTL. SOFFIT PANELS (VENTED)
 - 7.16 PREFINISHED MTL. TRIM
 - 7.17 SINGLE PLY ROOF FLASHING
 - 7.21 FLASHING
 - 8.01 GLASS BLOCK
 - 8.02 HOLLOW MTL. FRAME
 - 8.03 ALUM. STOREFRONT
 - 8.13 ALUM. STOREFRONT FLASHING PAN
 - 9.01 7/8" MTL. FURRING CHANNELS @ 16" O.C.
 - 9.02 5/8" GYP. BD.
 - 9.03 3-5/8" MTL. STUDS @ 16" O.C.
 - 9.06 MTL. CORNER REINFORCEMENT
 - 9.07 MTL. JOISTS
 - 9.08 MTL. EDGE REINFORCEMENT
 - 9.09 MTL. HAT CHANNELS
 - 9.10 MTL. CARRIER CHANNEL

NO	REVISIONS	DESCRIPTION	DATE

RAWLS WELTY INC.
Architects / Planners
16475 Dallas Parkway Suite 660
Dallas, Texas 75248 (214) 931-0090



ADDISON FIRE STATION NO. 2

ADDISON, TEXAS

SHEET TITLE
STOREFRONT SCHEDULE & DTLS
SC-31101
COLUMN DTLS - SC-112-101

81080 PROJECT NO
12-2-81 DATE

SHEET NO
A-3
OF 23