

SHEET TIME	
SHEET	
ASSIGN TO:	
DRWG BY:	CHKD BY:
DATE:	DATE:
HOURS:	HOURS:
REVISIONS:	REVISIONS:
KEYNOTING:	KEYNOTING:

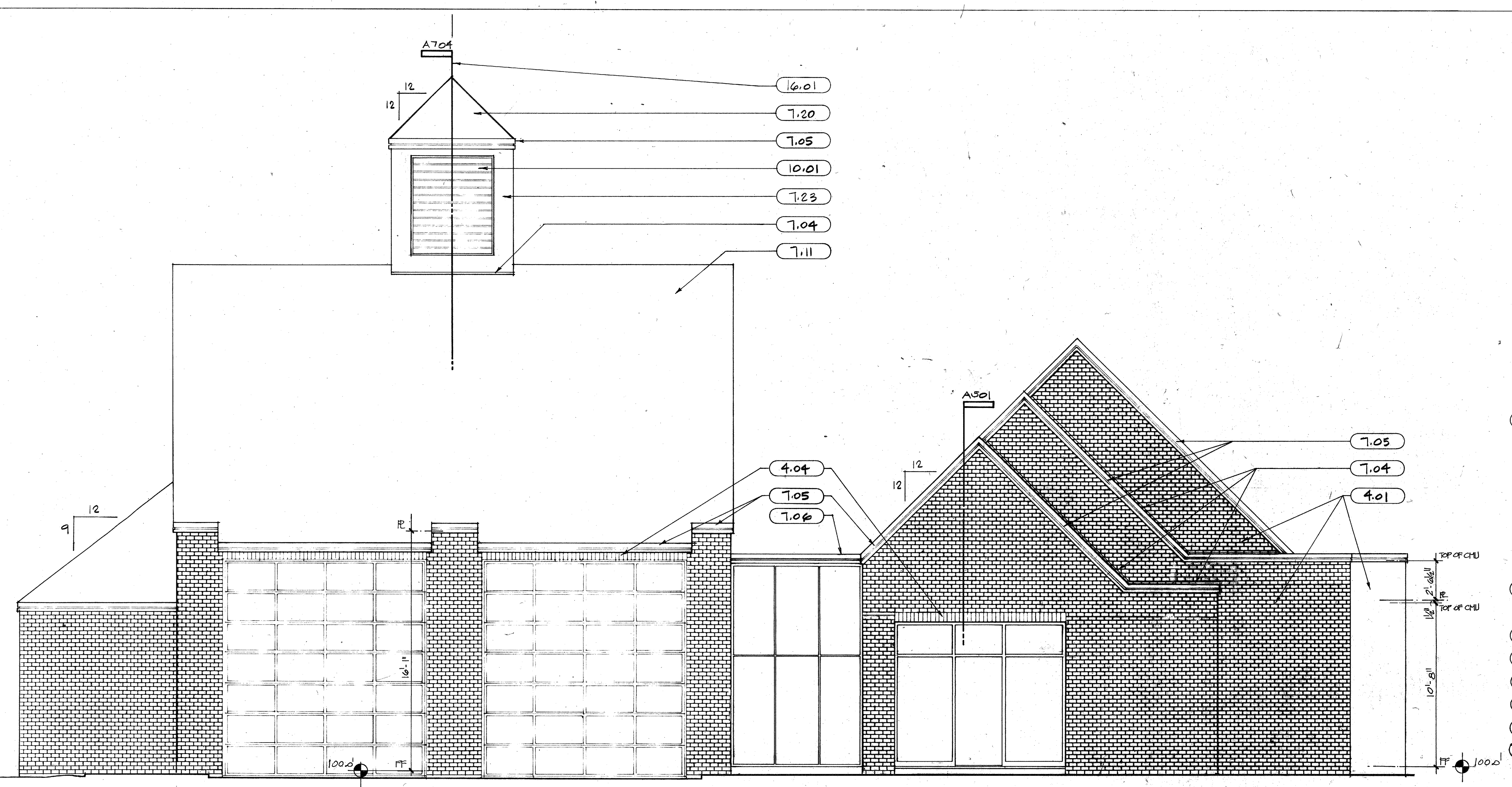
PRINTS	
TO:	
DATE:	DATE:

OVERLAY	
RECIPE:	
DATE:	DATE:

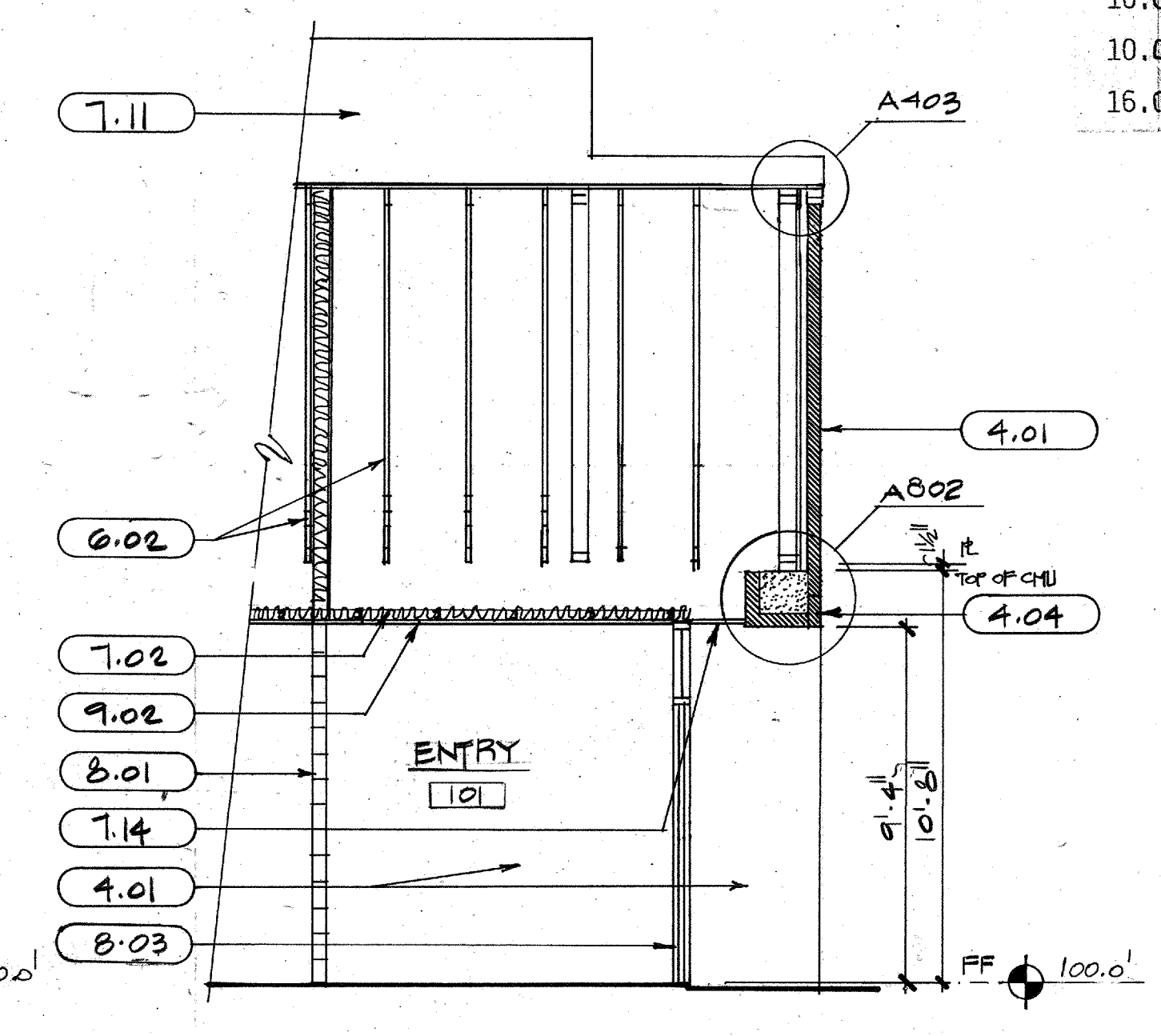
KEYNOTES

- 4.01 FACE BRK. (RUNNING BOND COURSING)
- 4.02 C.M.U. 4x8x16
- 4.04 FACE BRK (SOLDIER COURSING)
- 4.09 FACE BRK (ROWLOCK COURSING)
- 4.15 CONTROL JOINT
- 6.02 WOOD TRUSSES
- 7.01 FOAMED-IN-PLACE INSULATION
- 7.02 BATT INSULATION
- 7.04 PREFINISHED MTL. FLASHING
- 7.05 PREFINISHED MTL. FASCIA (W/CLEAT ATTACHMENT)
- 7.06 PREFINISHED MTL. FASCIA & RAPET CAP (W/CLEAT ATTACHMENT)
- 7.07 PREFINISHED MTL. GUTTER W/ REMOVABLE MTL. FABRIC SCREEN
- 7.11 COMPOSITION ROOFING SHINGLES
- 7.12 SINGLE PLY ROOFING
- 7.14 PREFINISHED MTL. SOFFIT PANELS
- 7.20 PREFINISHED STANDING SEAM MTL. ROOF
- 7.23 PREFINISHED SHEET MTL.
- 8.01 GLASS BLOCK
- 8.03 ALUM. STOREFRONT
- 9.02 5/8" GYP. BD.
- 10.01 PREFINISHED MTL. LOUVER W/ INSECT SCREEN
- 10.07 REDWOOD SIN SCREEN
- 16.01 RADIO ANTENNA

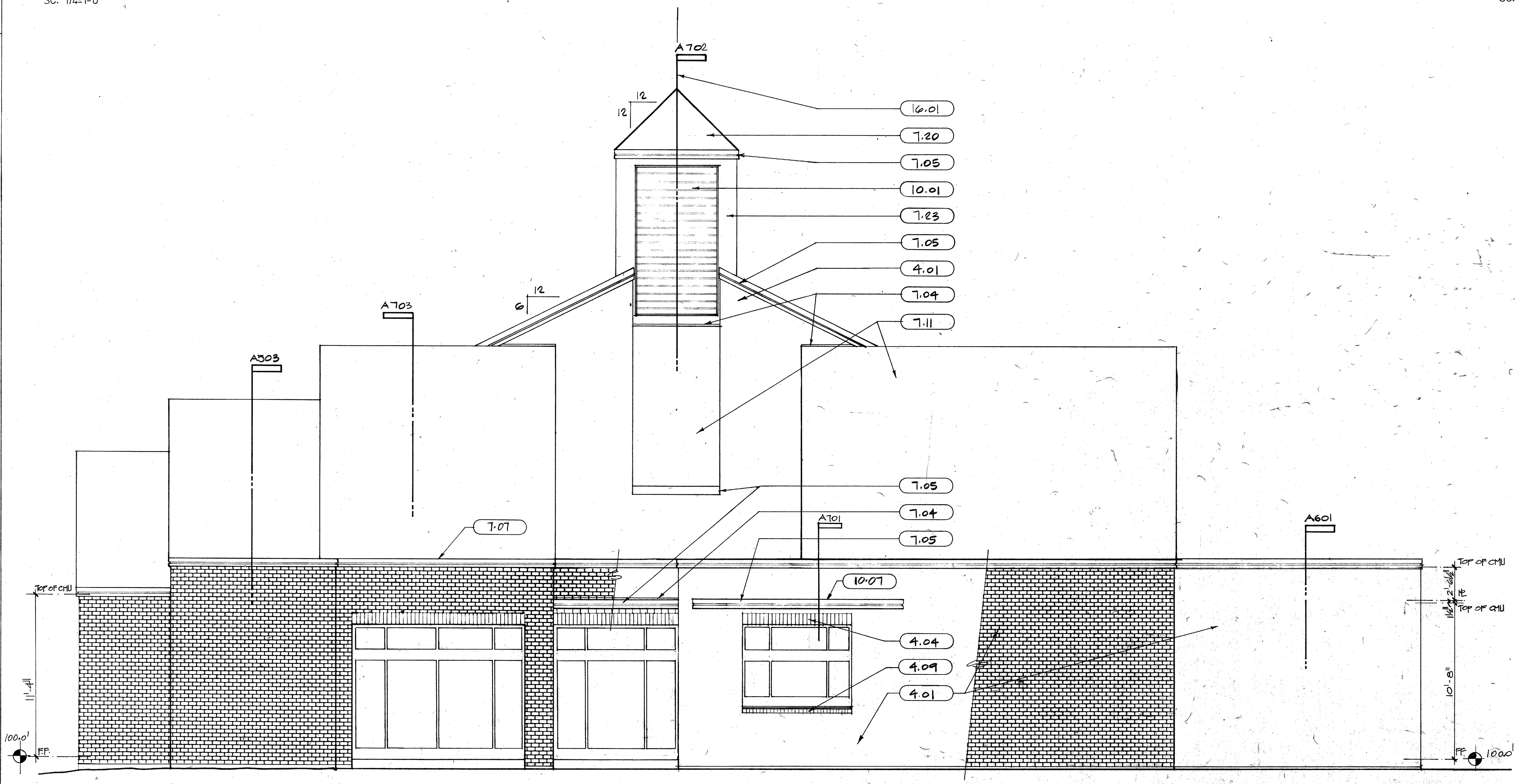
DRAWN BY			CHECKED BY		
NO			DESCRIPTION		
DATE			DATE		



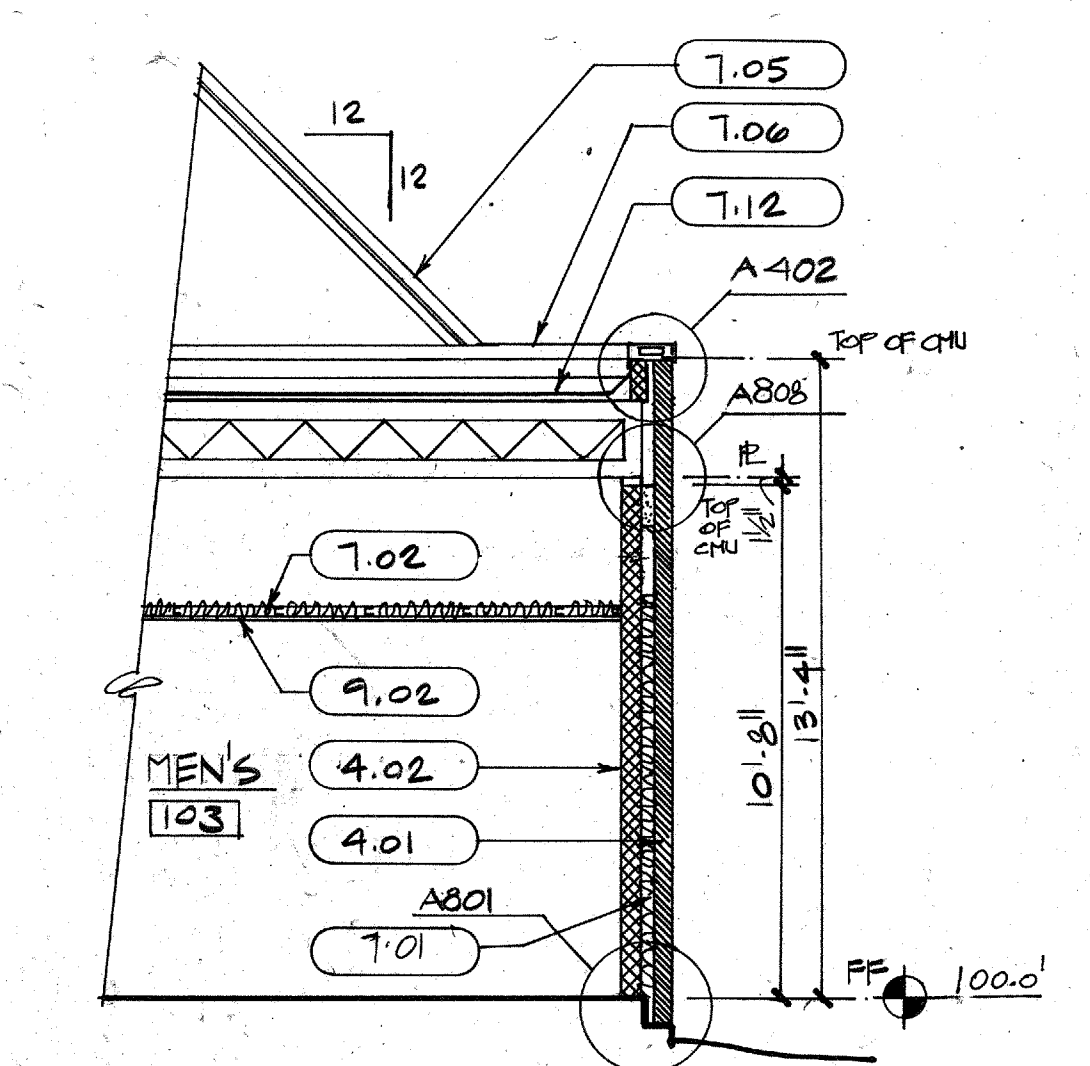
A502 NORTH ELEVATION
SC. 1/4"=1'-0"




A501 PARTIAL BUILDING SECTION
SC. 1/4"=1'-0"



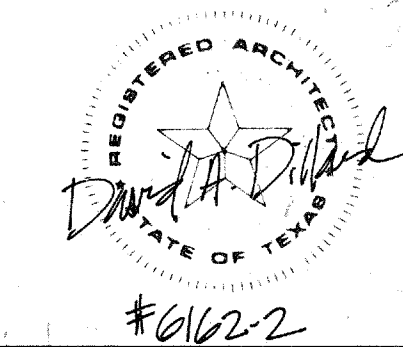
A504 WEST ELEVATION
SC. 1/4"=1'-0"



A503 PARTIAL BUILDING SECTION
SC. 1/4"=1'-0"



rawls & welty inc.
Architects / Planners
16475 Dallas Parkway Suite 660
Dallas, Texas 75248 (214) 931-0090



**ADDISON
FIRE
STATION
NO. 2**

ADDISON, TEXAS

SHEET TITLE
ELEVATIONS
PARTIAL BUILDING SECTIONS

81080	SHEET NO.
PROJECT NO.	<h1>A-5</h1>
12-2-81	
DATE	OF 23