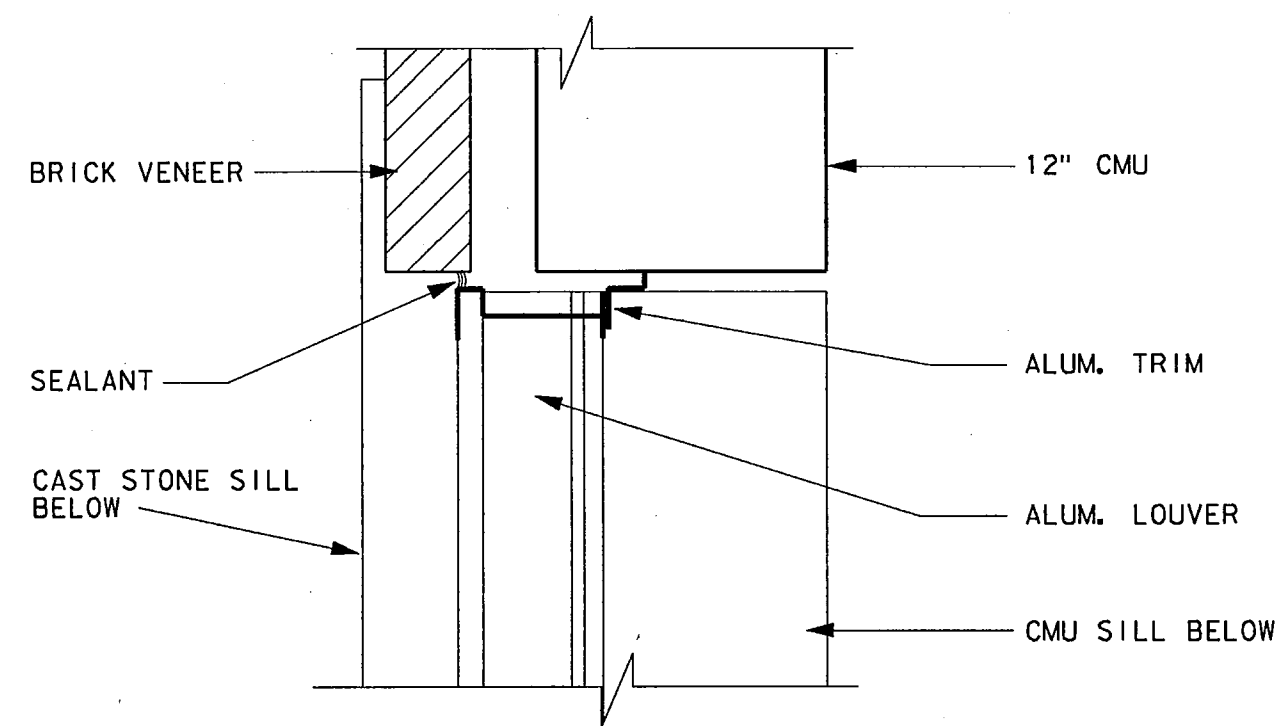
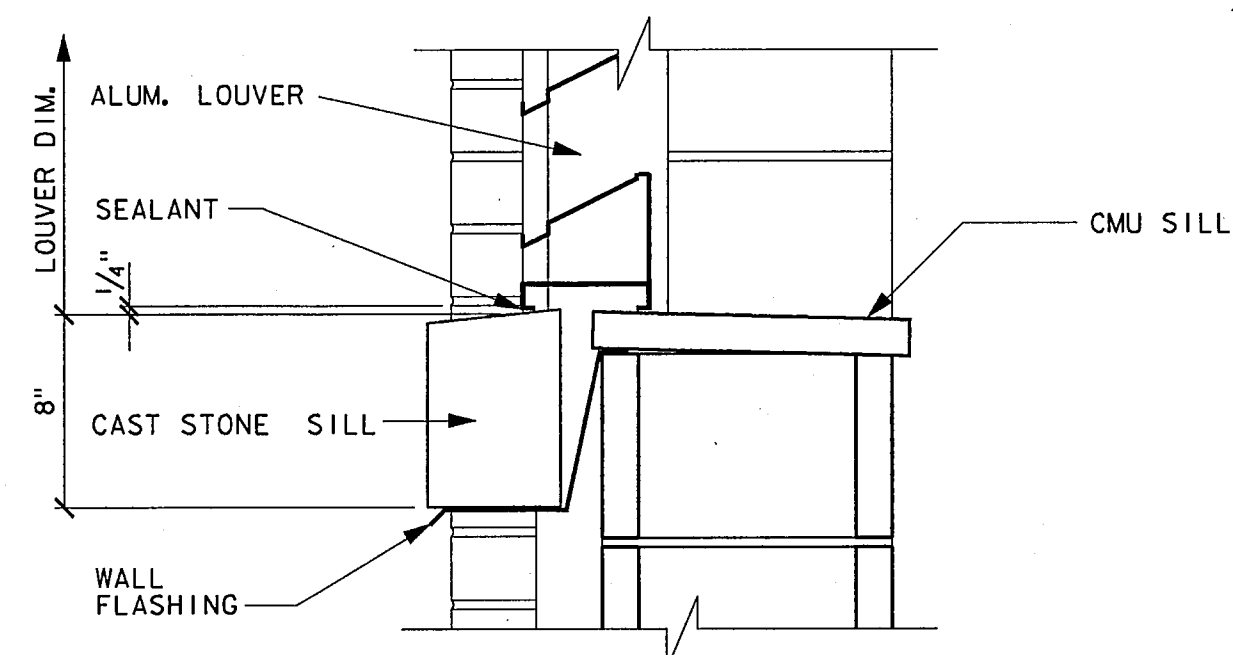


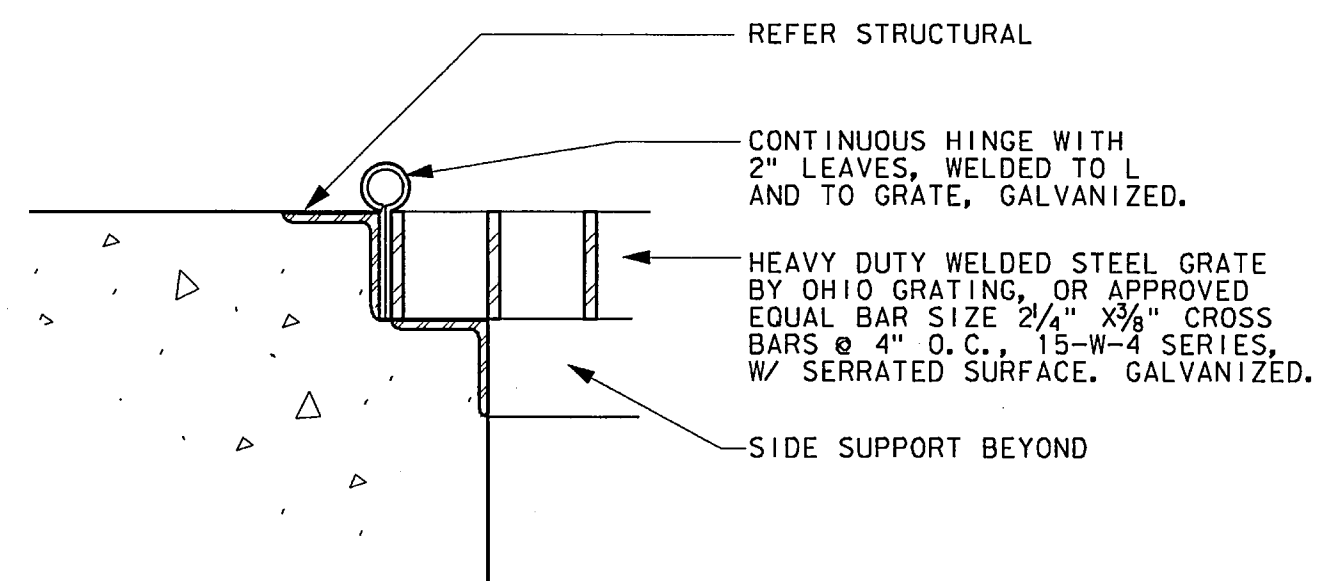
LOUVER HEAD (A) 1/2" = 1' - 0" 43



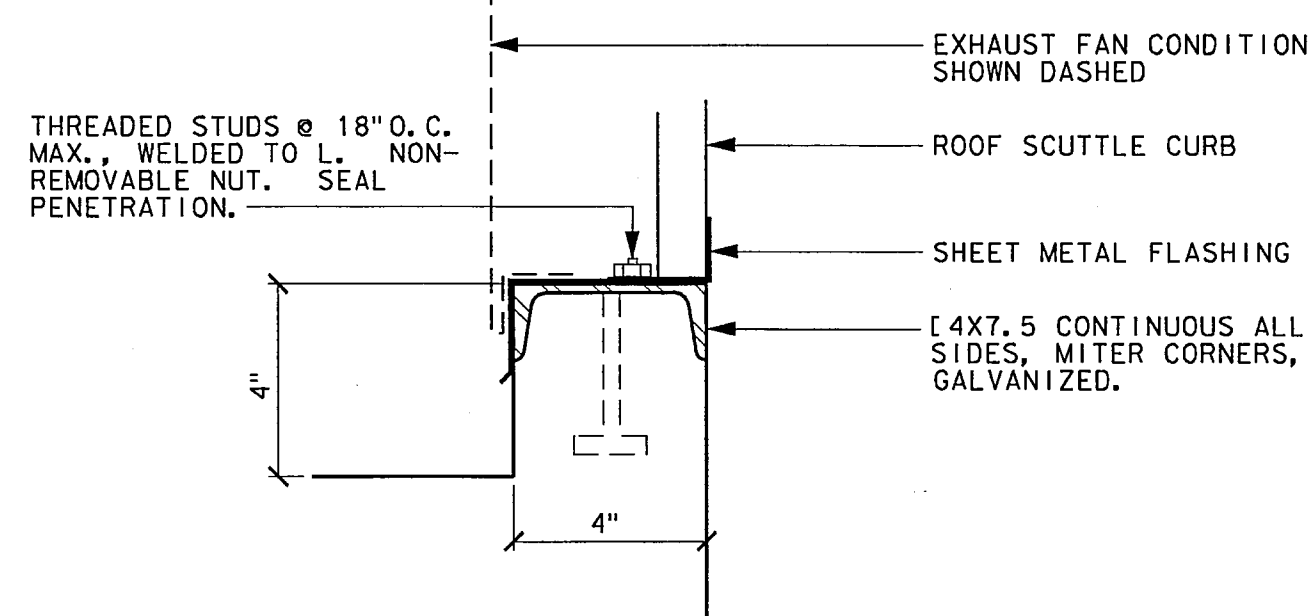
LOUVER JAMB (B) 1/2" = 1' - 0" 43



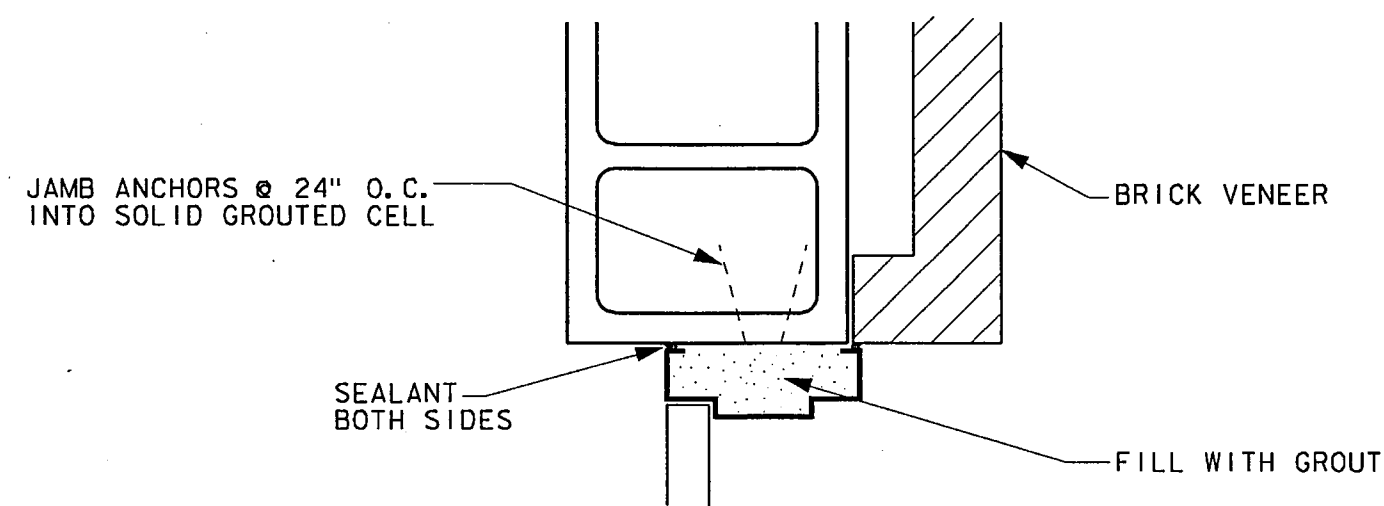
LOUVER SILL (C) 1/2" = 1' - 0" 43



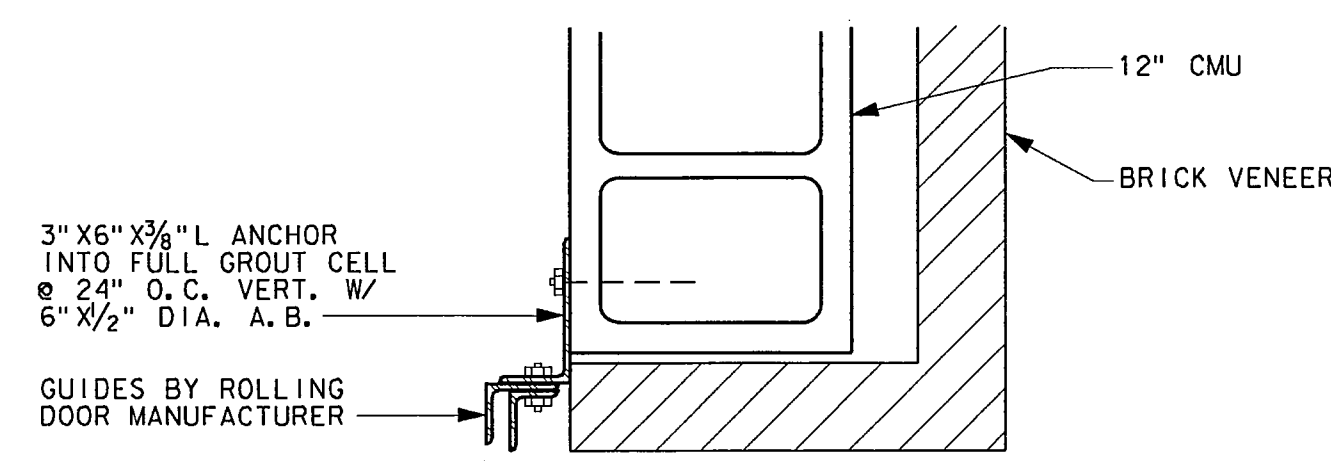
SECTION (D) 3" = 1' - 0" 43



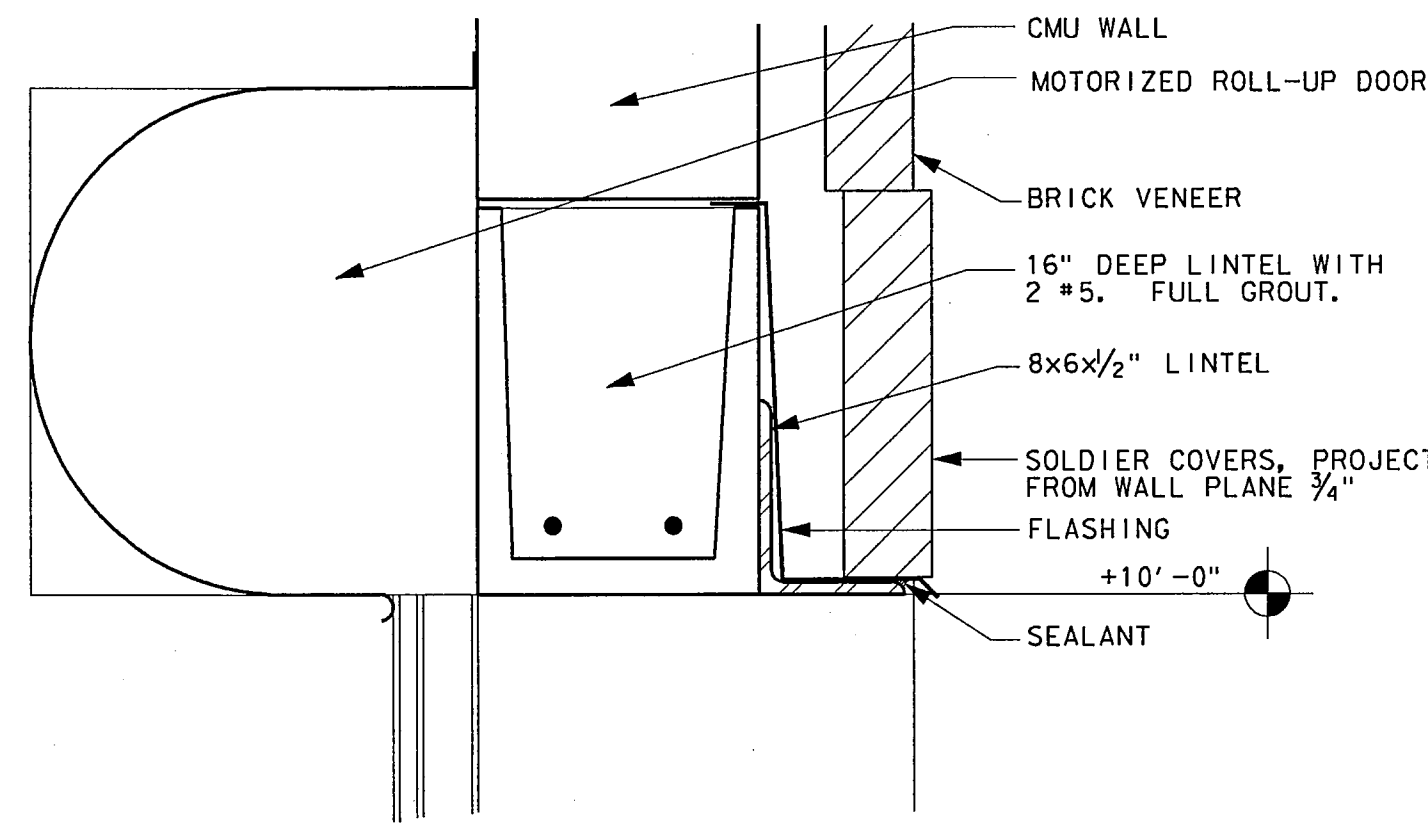
TYPICAL EQUIPMENT CURB (E) 3" = 1' - 0" 43



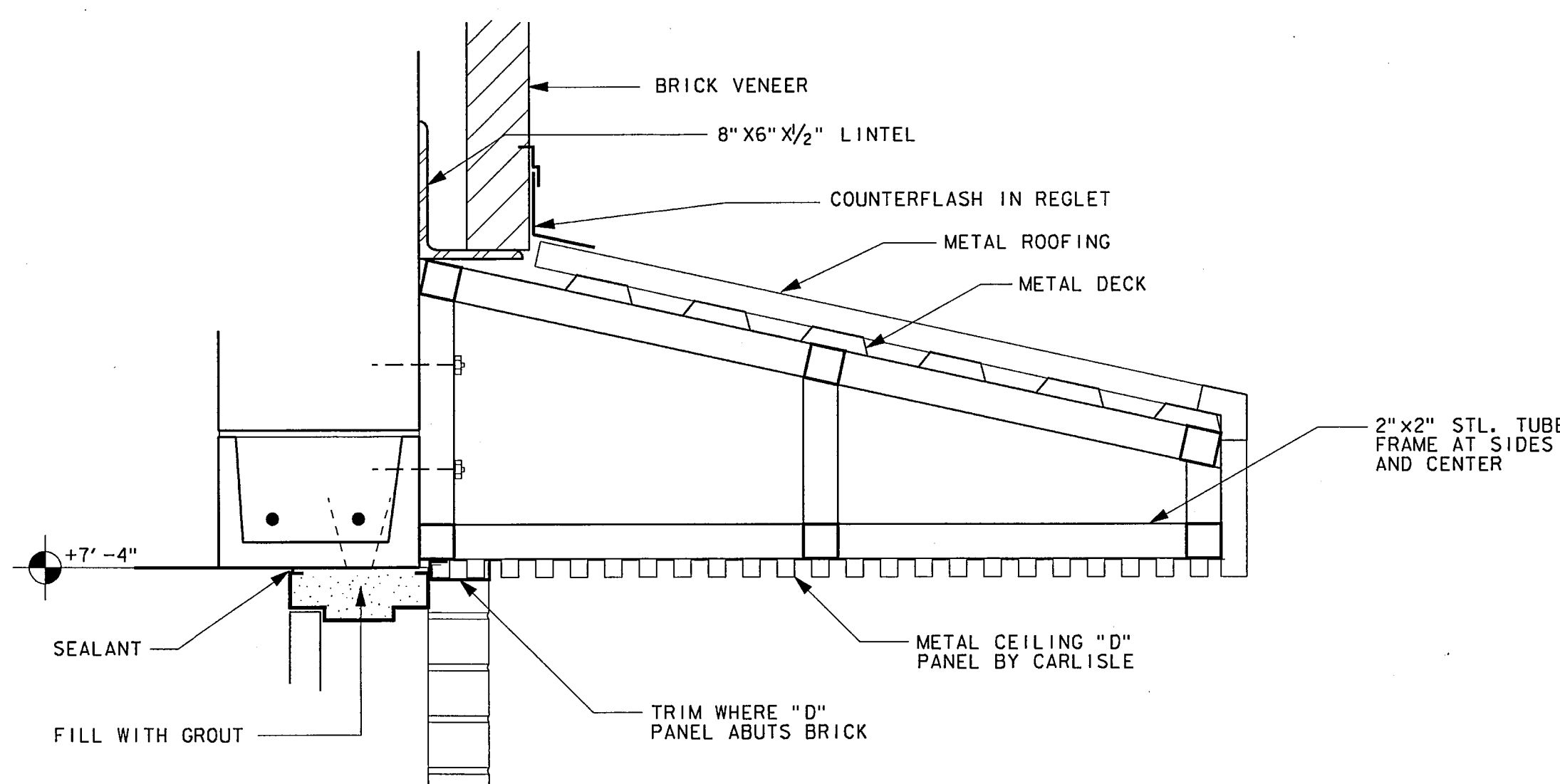
HM DOOR JAMB (F) 1/2" = 1' - 0" 43



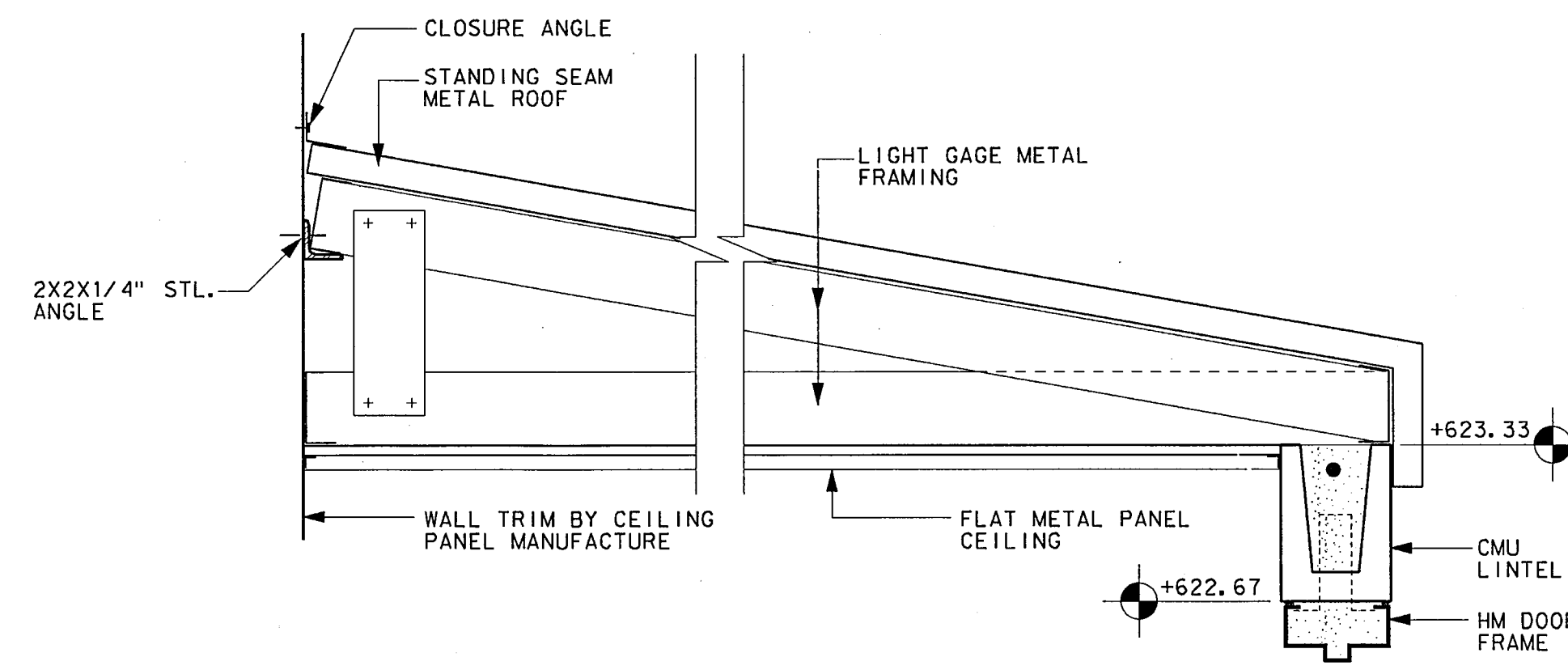
ROLL-UP DOOR JAMB (G) 1/2" = 1' - 0" 43



ROLL-UP DOOR HEAD (H) 1/2" = 1' - 0" 43



HM DOOR HEAD (J) 1/2" = 1' - 0" 43



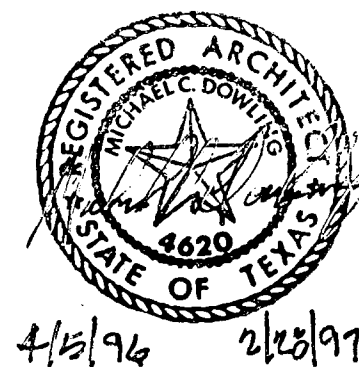
ROOF SECTION (K) 1/2" = 1' - 0" 43

NO.	DATE	REVISION	APPROV.
4			
3			
2			
1			

TOWN OF ADDISON, TEXAS
 MIDWAY/BELTLINE SANITARY SEWER
 PHASE II
 LIFT STATION -
 ARCHITECTURAL DETAILS - SHEET 1

Carter Burgess

Consultants in Engineering, Architecture,
 Planning and the Environment
 CARTER & BURGESS, INC.
 7950 EMBROOK DRIVE, SUITE 250
 DALLAS, TX 75247-4961



Unit	Scale	Date	04-05-96
Designed	R. WRIGHT	Checked	R. WRIGHT
Drawn	R. WRIGHT	Approved	J. Lindner
Job No.	93327601D	Sheet	43 of 63