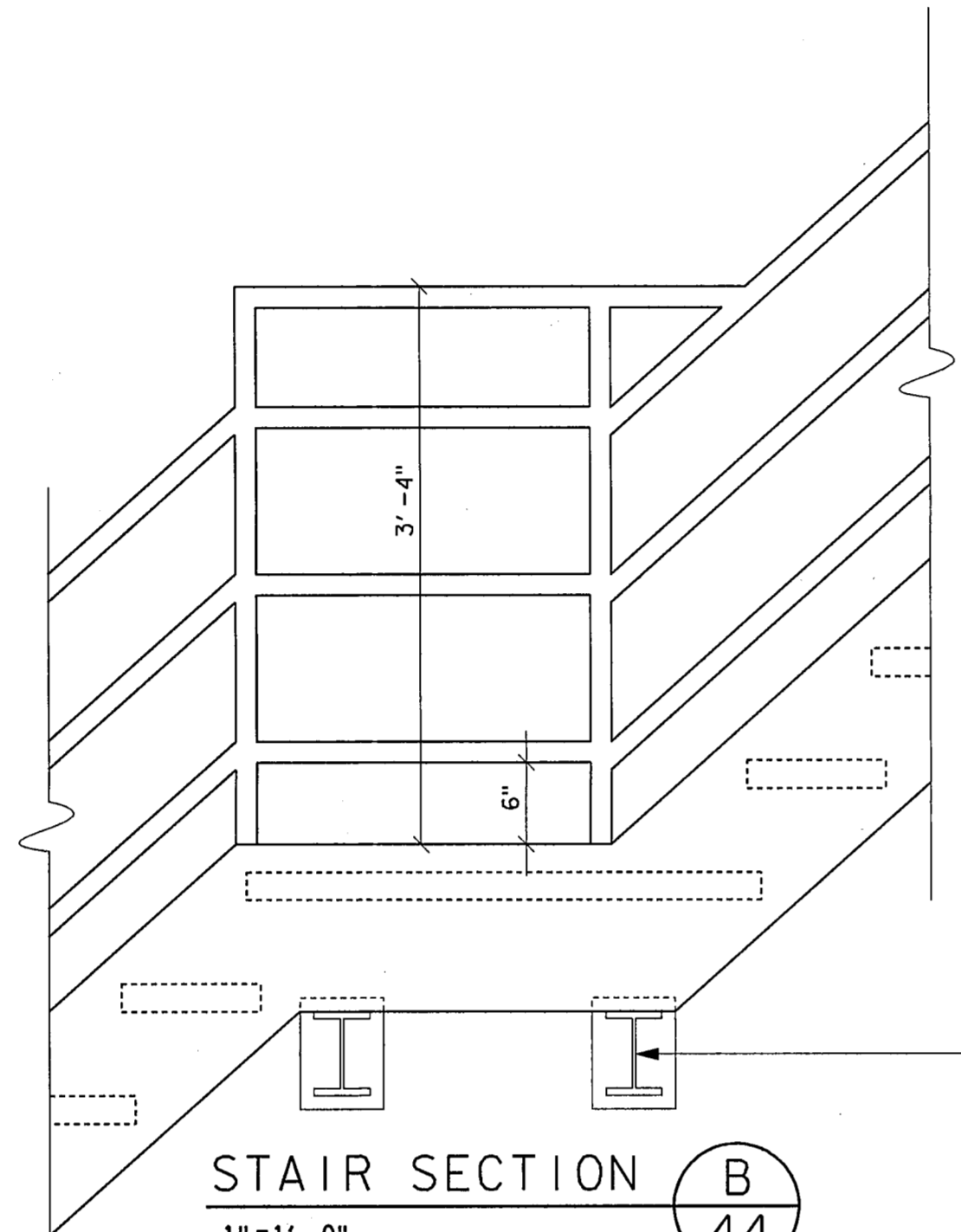
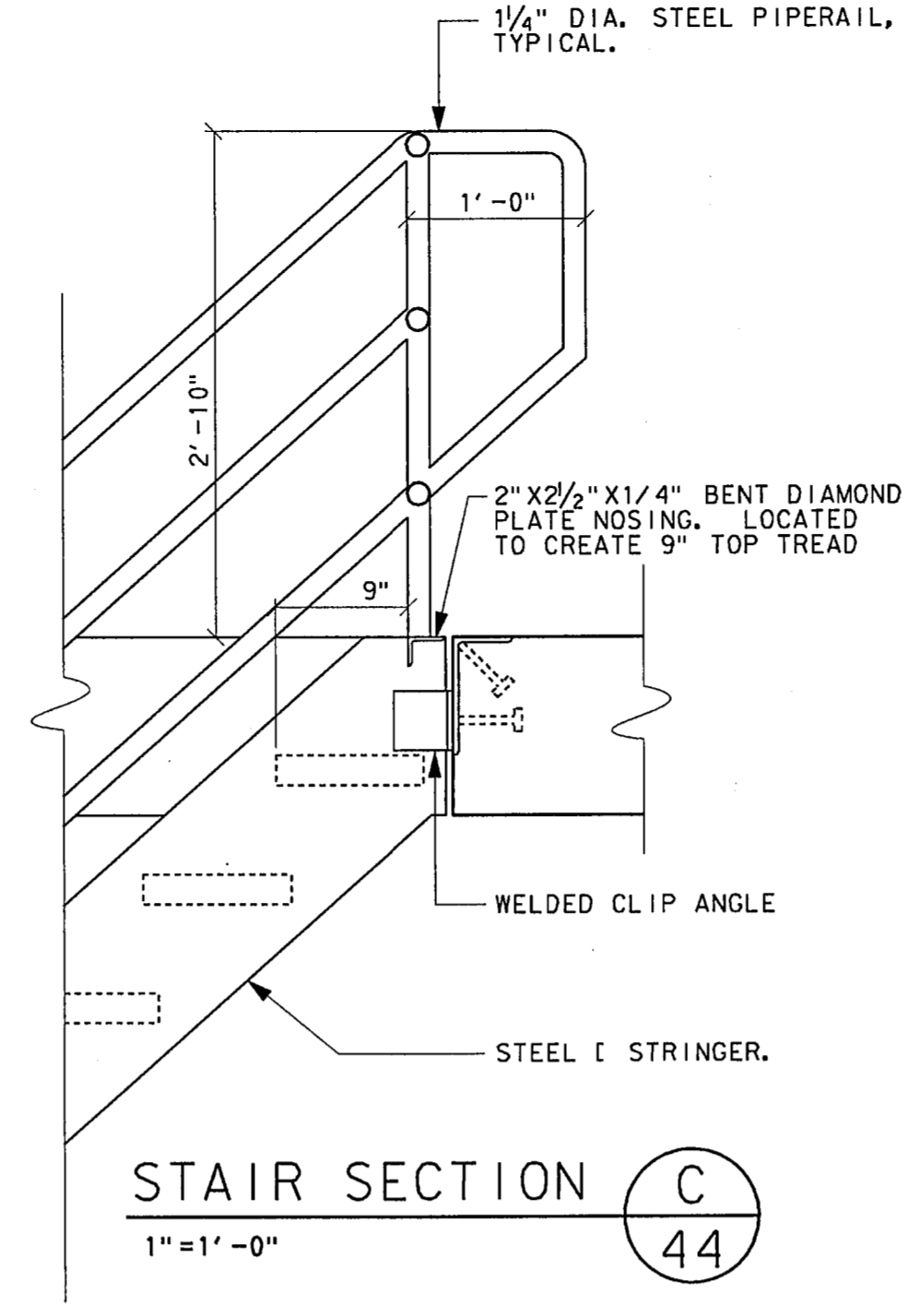


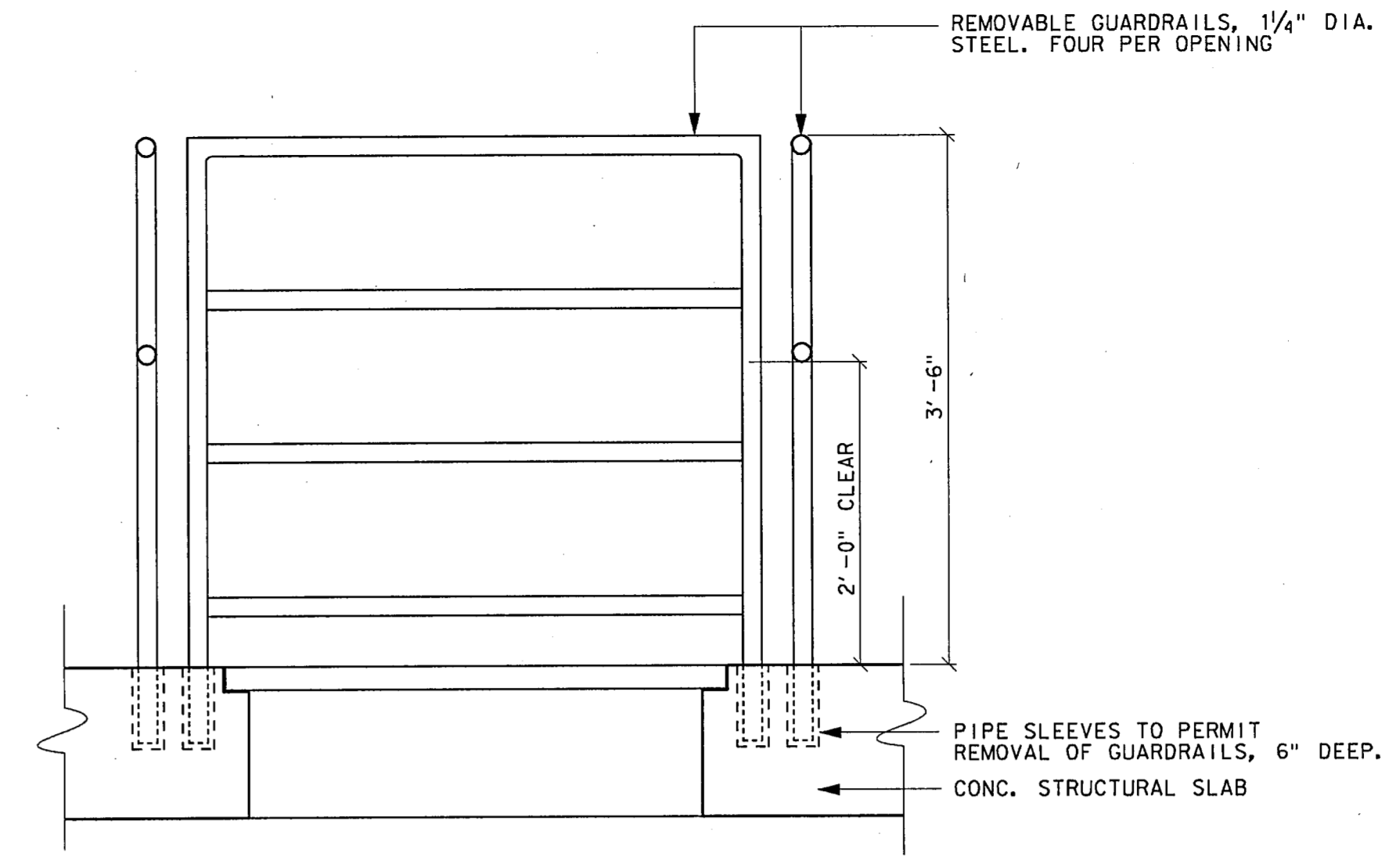
GUARDRAIL AT STAIR OPENING
1"=1'-0" (A) 44



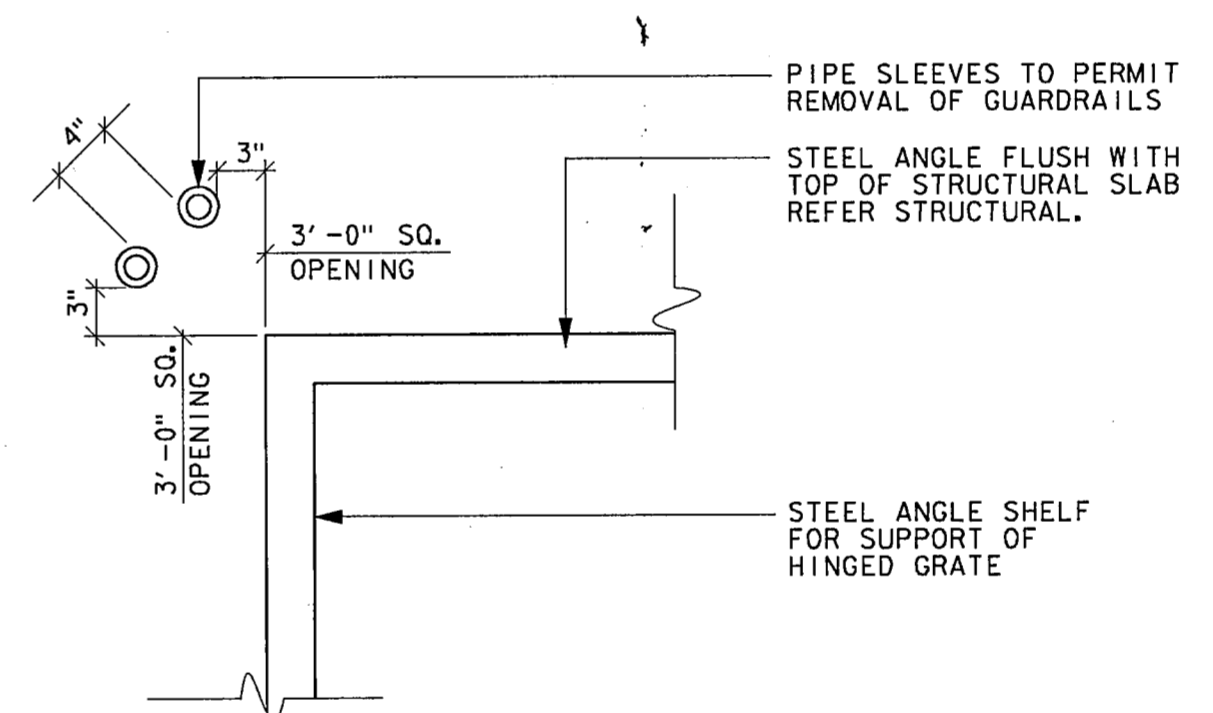
STAIR SECTION B
1"=1'-0" (B) 44



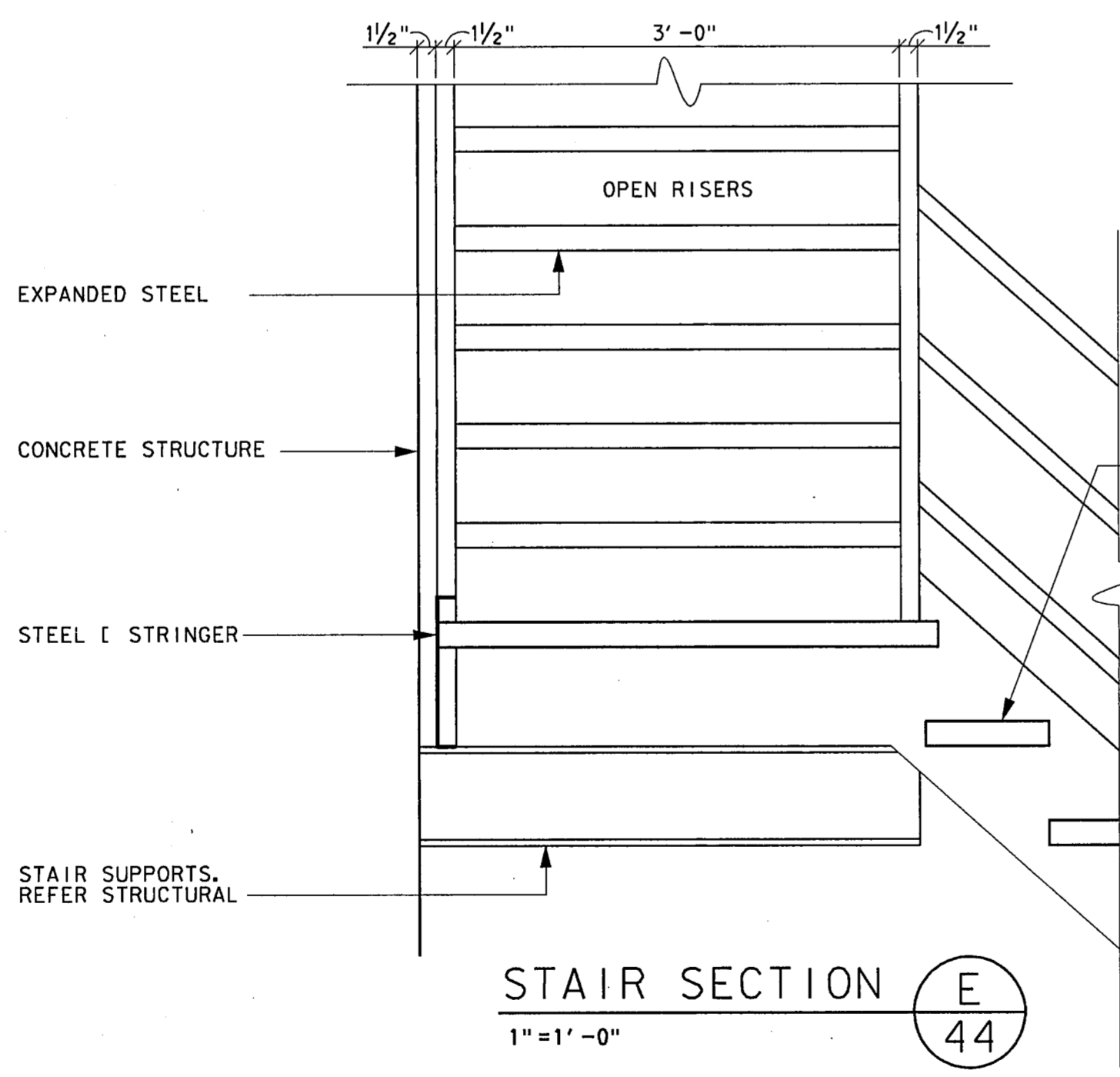
STAIR SECTION C
1"=1'-0" (C) 44



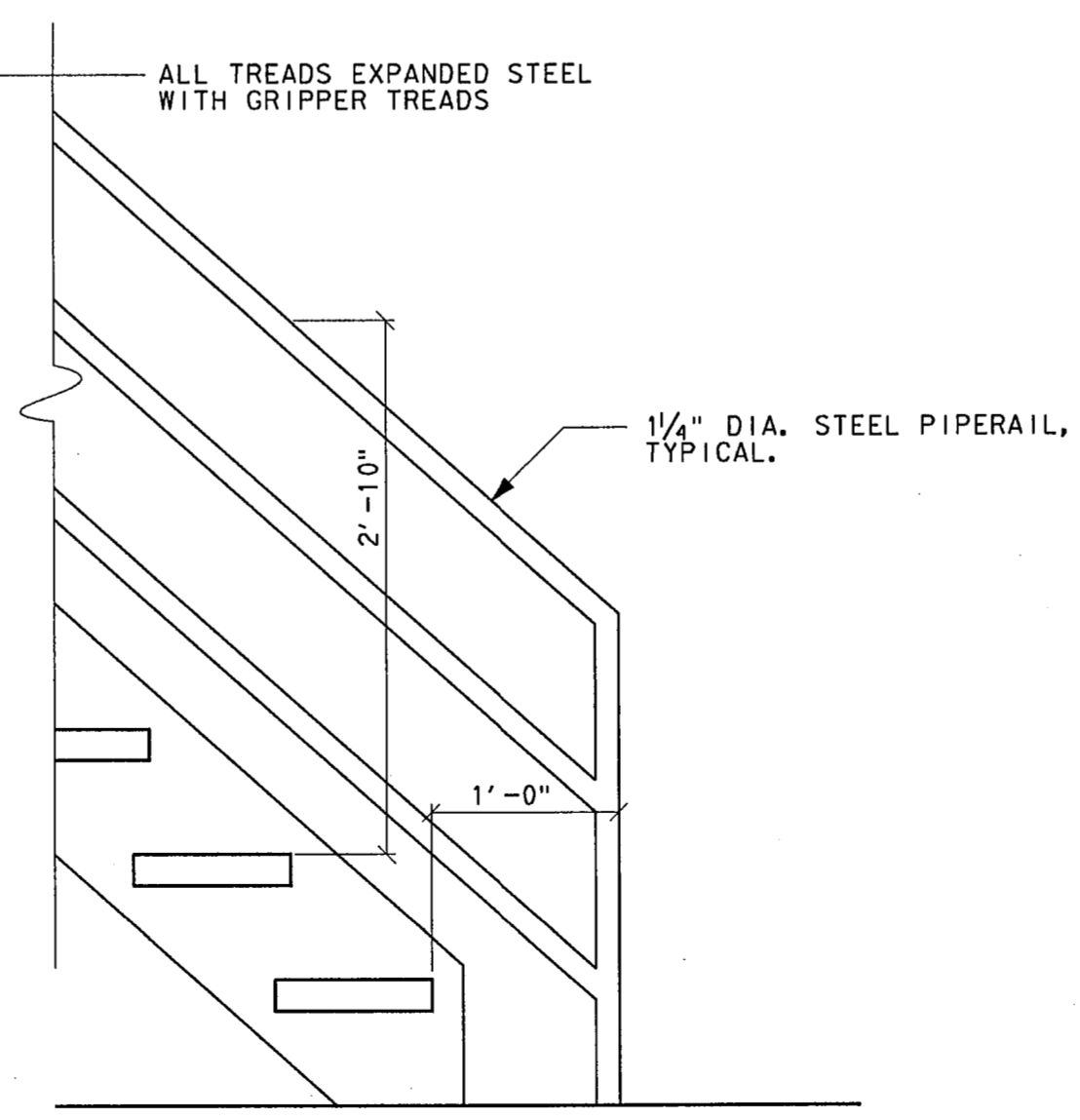
GUARDRAIL AT ACCESS HOLE
1"=1'-0" (D) 44




PLAN DETAIL AT ACCESS HOLE
1"=1'-0" (F) 44



STAIR SECTION E
1"=1'-0" (E) 44



STAIR SECTION G
1"=1'-0" (G) 44

4			
3			
2			
1			
NO.	DATE	REVISION	APPROV.
TOWN OF ADDISON, TEXAS			
MIDWAY/BELTLINE SANITARY SEWER PHASE II			
LIFT STATION - ARCHITECTURAL DETAILS - SHEET 2			
 Carter & Burgess <small>Consultants in Engineering, Architecture, Planning and the Environment</small> CARTER & BURGESS, INC. <small>7950 ELMBROOK DRIVE, SUITE 250 DALLAS, TX 75247-4963</small>			
Unit	Scale	Date	04-05-96
Designed	R. WRIGHT	Checked	R. WRIGHT
Drawn	R. WRIGHT	Approved	J. Lindner
		Job No.	93327601D
		Sheet	44 of 63

