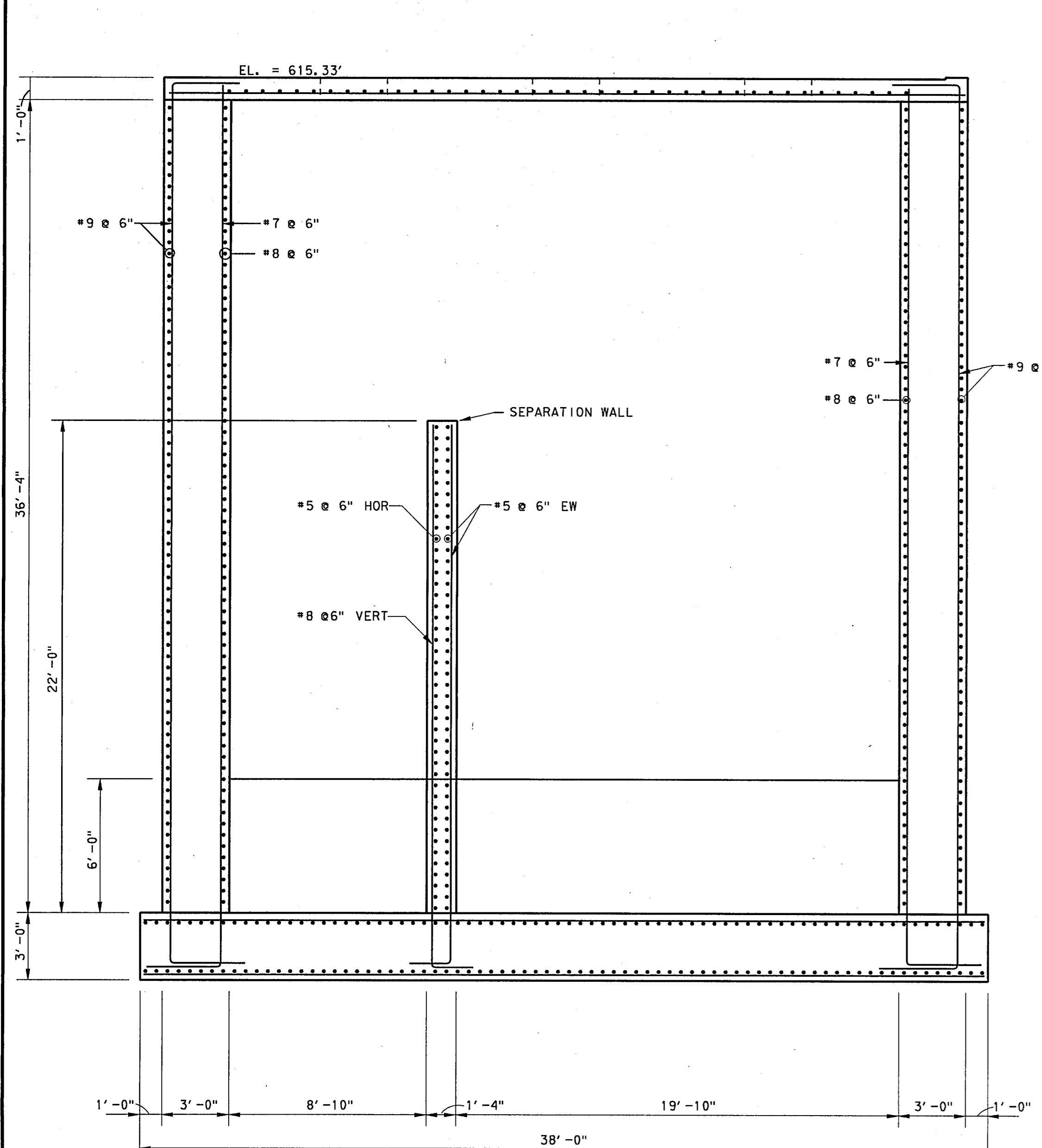
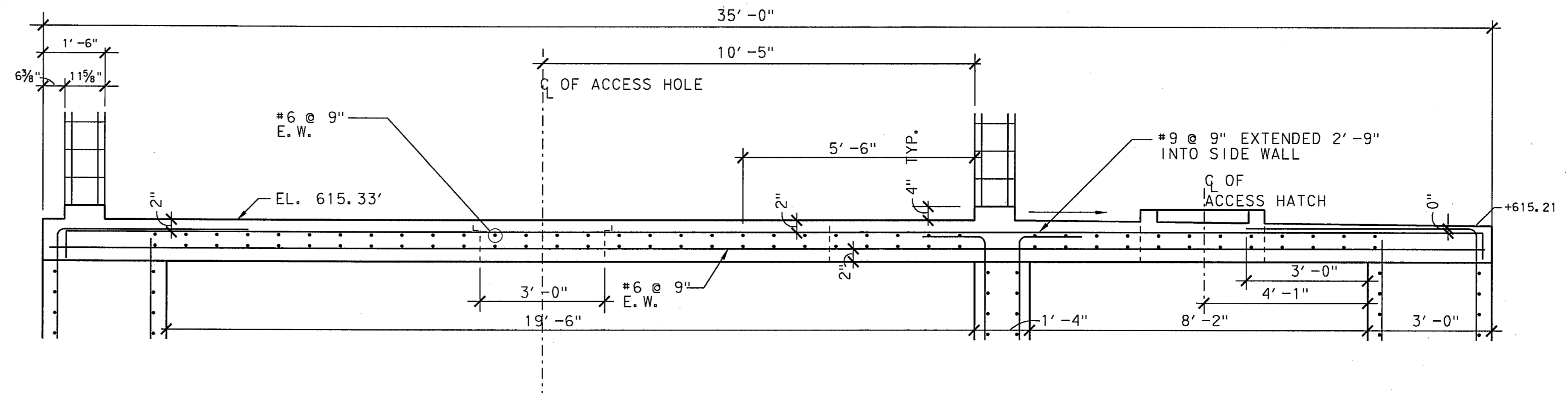


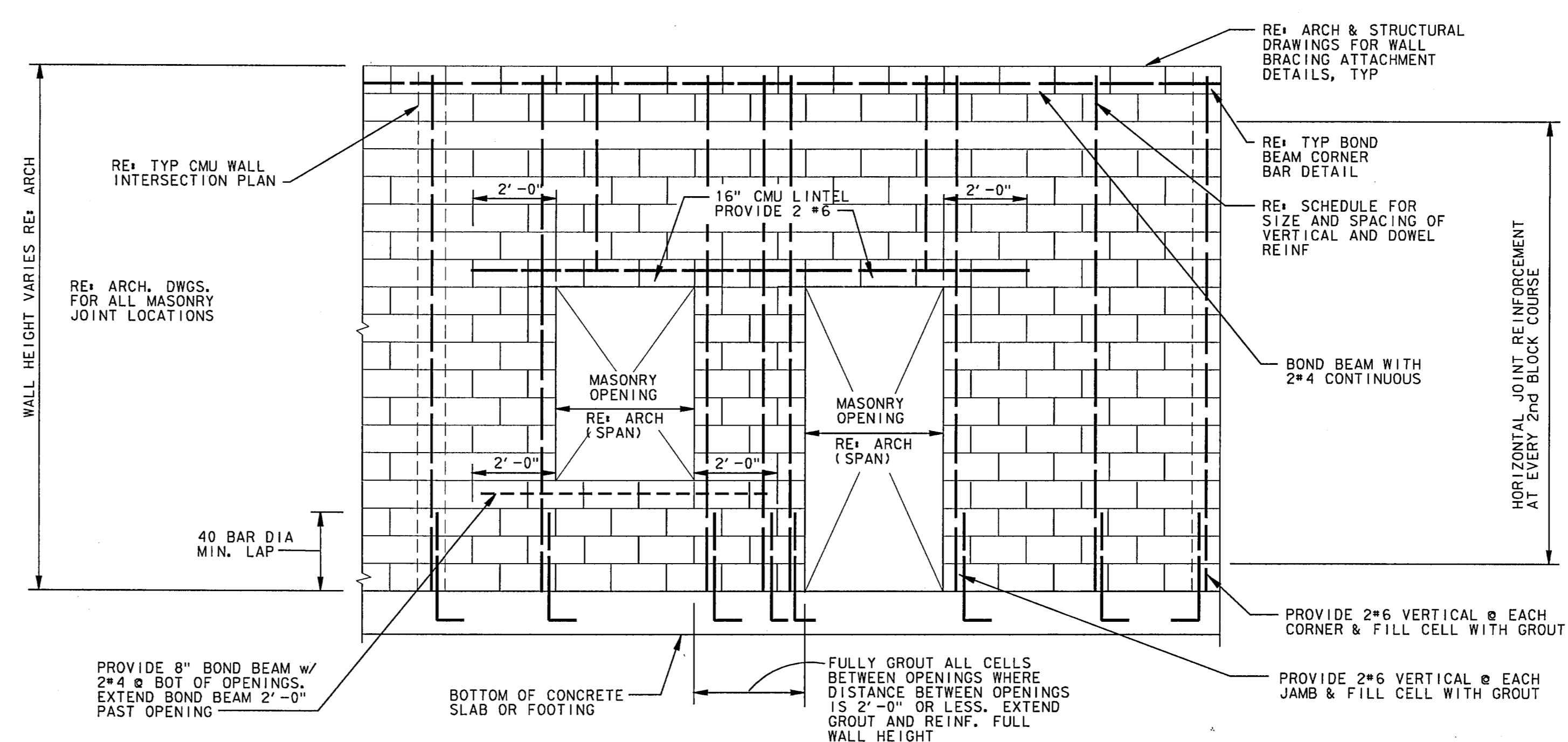
REVISIONS
 NO. DATE REVISION
 1 04-05-96
 2 04-05-96
 3 04-05-96
 4 04-05-96
 5 04-05-96
 6 04-05-96
 7 04-05-96
 8 04-05-96
 9 04-05-96
 10 04-05-96
 11 04-05-96
 12 04-05-96
 13 04-05-96
 14 04-05-96
 15 04-05-96
 16 04-05-96
 17 04-05-96
 18 04-05-96
 19 04-05-96
 20 04-05-96
 21 04-05-96
 22 04-05-96
 23 04-05-96
 24 04-05-96
 25 04-05-96
 26 04-05-96
 27 04-05-96
 28 04-05-96
 29 04-05-96
 30 04-05-96
 31 04-05-96
 32 04-05-96
 33 04-05-96
 34 04-05-96
 35 04-05-96
 36 04-05-96
 37 04-05-96
 38 04-05-96
 39 04-05-96
 40 04-05-96
 41 04-05-96
 42 04-05-96
 43 04-05-96
 44 04-05-96
 45 04-05-96
 46 04-05-96
 47 04-05-96
 48 04-05-96
 49 04-05-96
 50 04-05-96
 51 04-05-96
 52 04-05-96
 53 04-05-96
 54 04-05-96
 55 04-05-96
 56 04-05-96
 57 04-05-96
 58 04-05-96
 59 04-05-96
 60 04-05-96
 61 04-05-96
 62 04-05-96
 63 04-05-96
 64 04-05-96
 65 04-05-96
 66 04-05-96
 67 04-05-96
 68 04-05-96
 69 04-05-96
 70 04-05-96
 71 04-05-96
 72 04-05-96
 73 04-05-96
 74 04-05-96
 75 04-05-96
 76 04-05-96
 77 04-05-96
 78 04-05-96
 79 04-05-96
 80 04-05-96
 81 04-05-96
 82 04-05-96
 83 04-05-96
 84 04-05-96
 85 04-05-96
 86 04-05-96
 87 04-05-96
 88 04-05-96
 89 04-05-96
 90 04-05-96
 91 04-05-96
 92 04-05-96
 93 04-05-96
 94 04-05-96
 95 04-05-96
 96 04-05-96
 97 04-05-96
 98 04-05-96
 99 04-05-96
 100 04-05-96



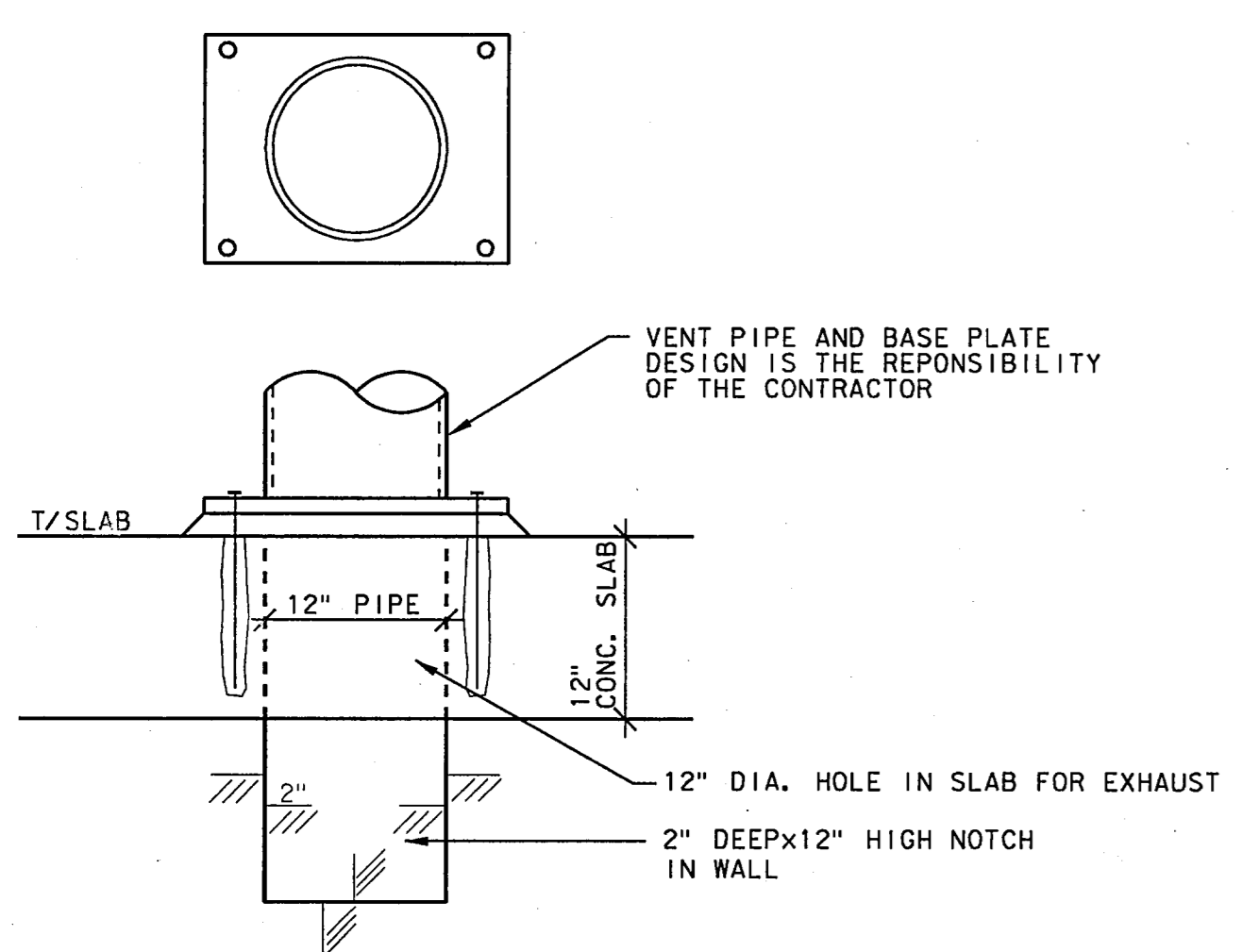
SECTION A
1/4" = 1'-0"



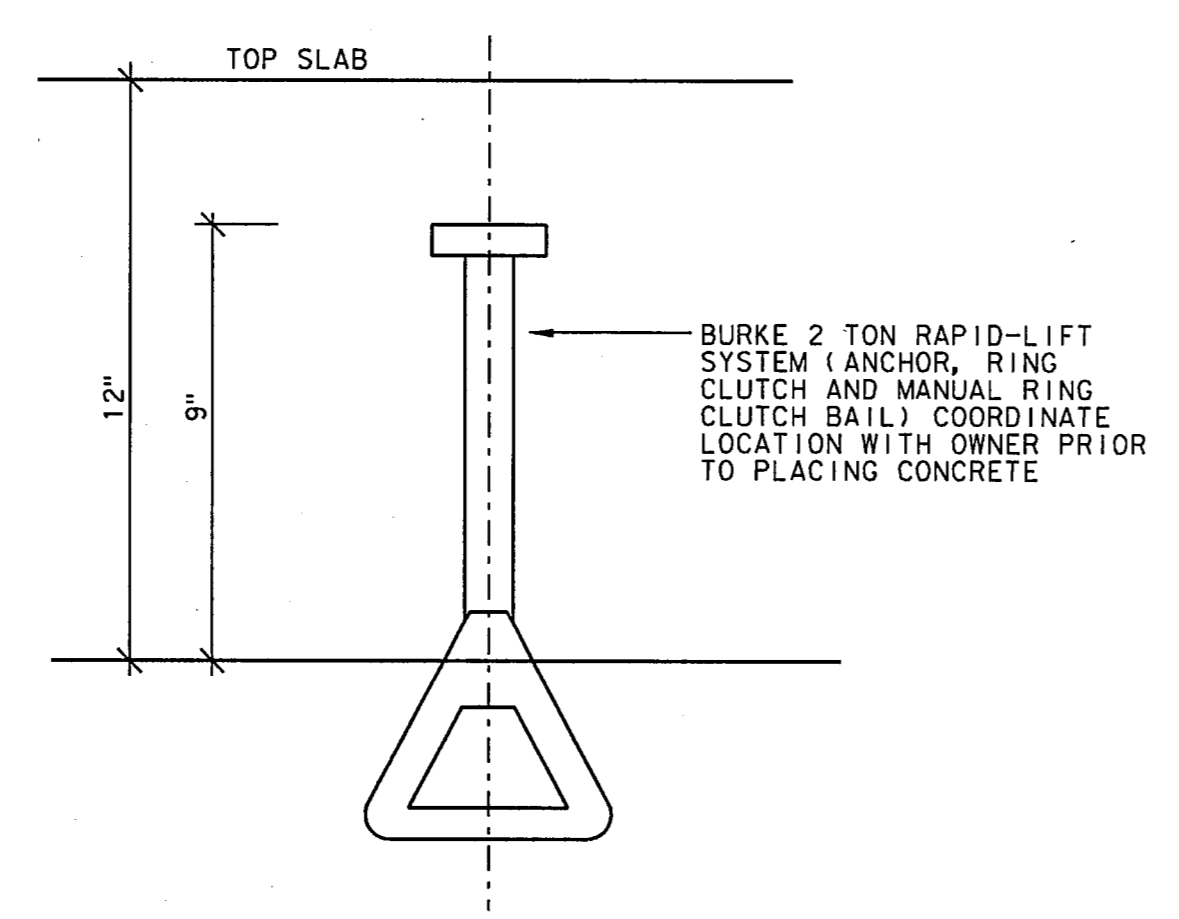
UPPER SLAB REINFORCEMENT B
1/2" = 1'-0"



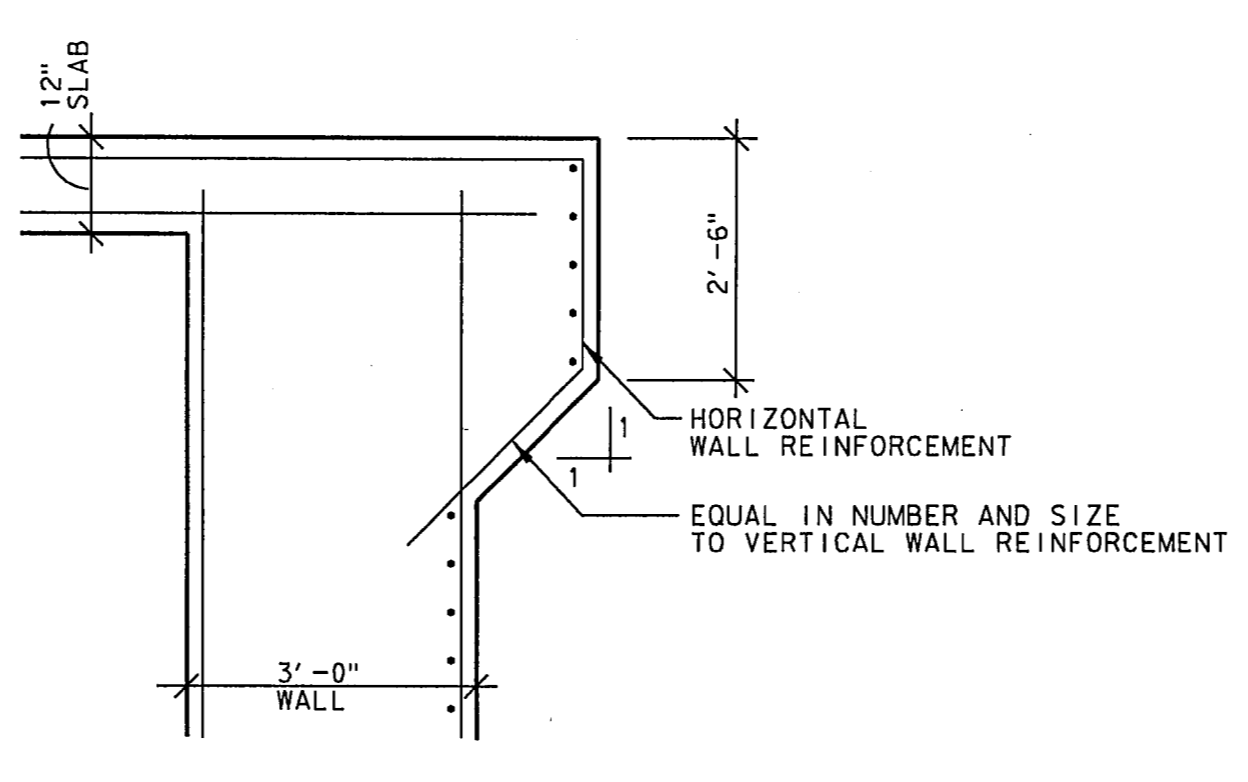
TYPICAL CMU WALL ELEVATION C
NTS



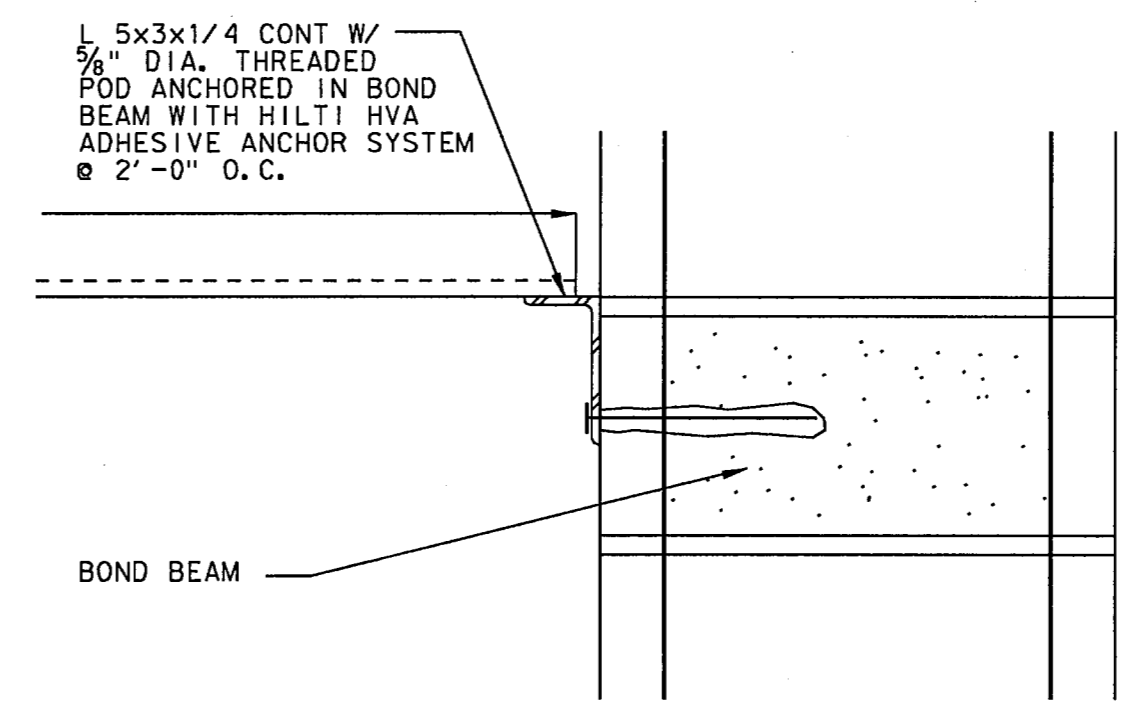
ANCHOR BOLT LAYOUT FOR VENT PIPE D
1" = 1'-0"



EYE BOLT HANGER E
3" = 1'-0"



DETAIL AT SLAB BRACKET F
1/2" = 1'-0"



ROOF DECK WALL SUPPORT G
NTS

4			
3			
2			
1			
NO.	DATE	REVISION	APPROV.
TOWN OF ADDISON, TEXAS MIDWAY/BELTLINE SANITARY SEWER PHASE II LIFT STATION - STRUCTURAL BUILDING SECTIONS AND DETAILS			
 Carter & Burgess <small>Consultants in Engineering, Architecture, Planning and the Environment</small> CARTER & BURGESS, INC. <small>7950 ELMBROOK DRIVE, SUITE 250 DALLAS, TX 75247-4961</small>			
Unit	Scale	Date	04-05-96
Designed	K. Houghton	Checked	K. Houghton
Drawn	C. Sammons	Approved	J. Lindner
		Job No.	93327601D
		Sheet	47 of 63

