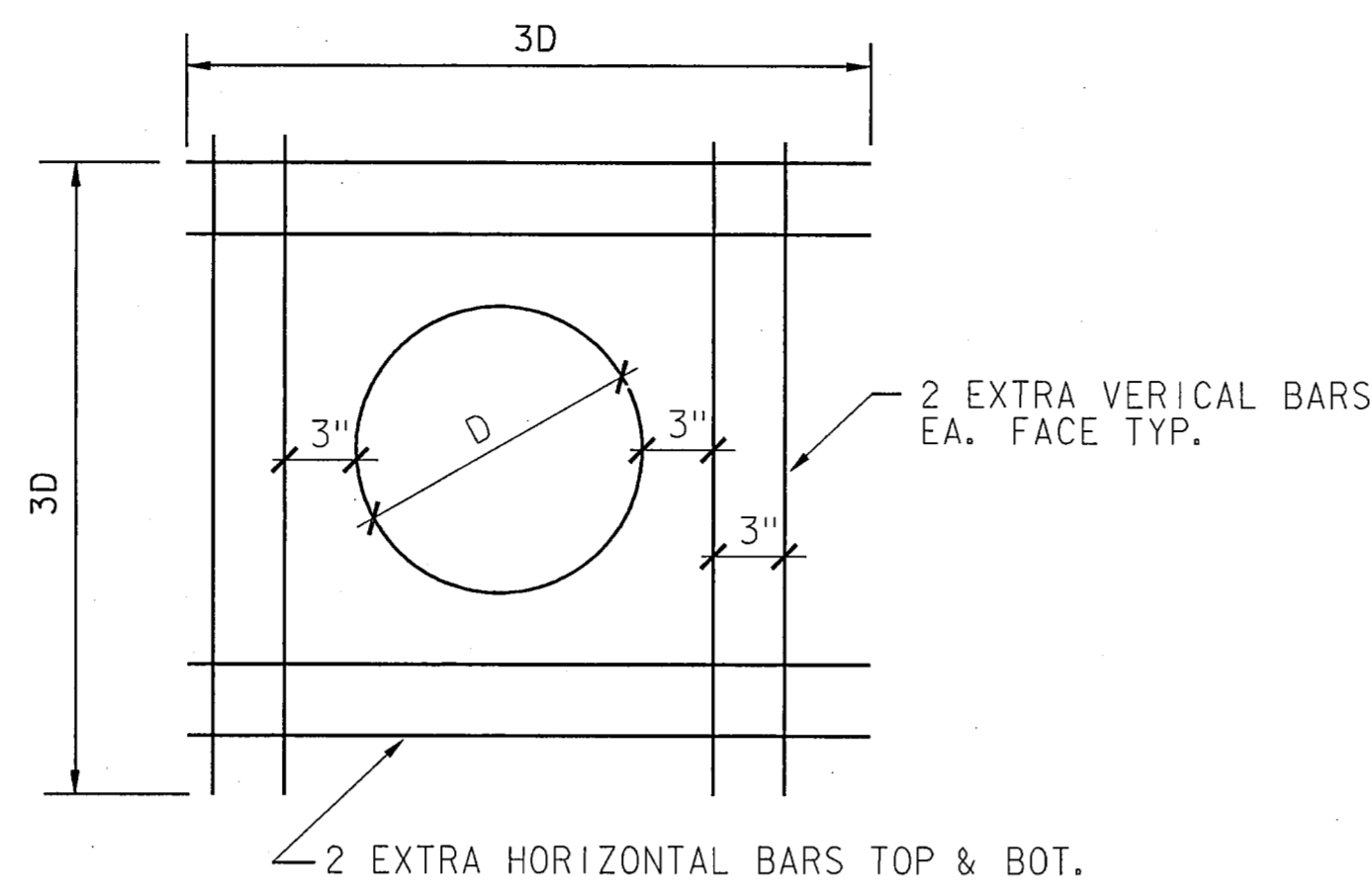
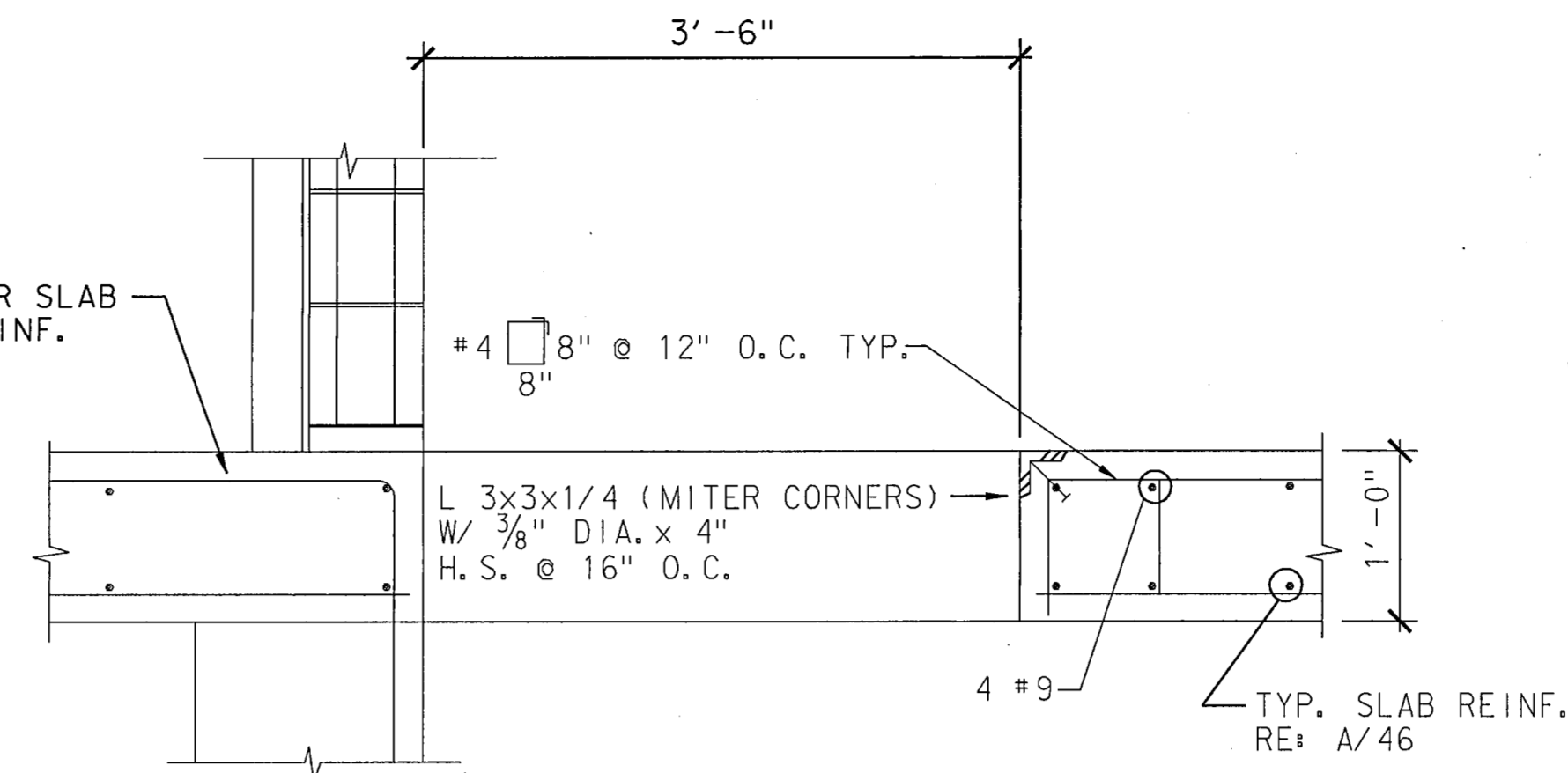


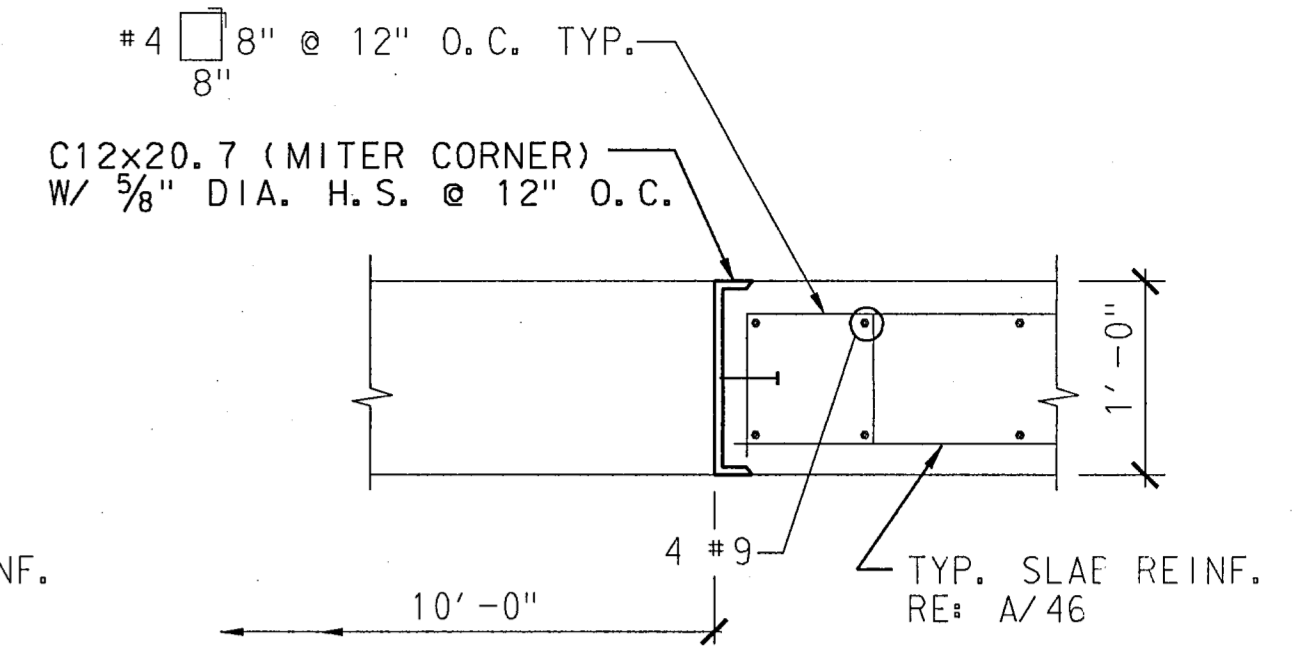
TYPICAL DETAIL (A)  
1" = 1'-0"



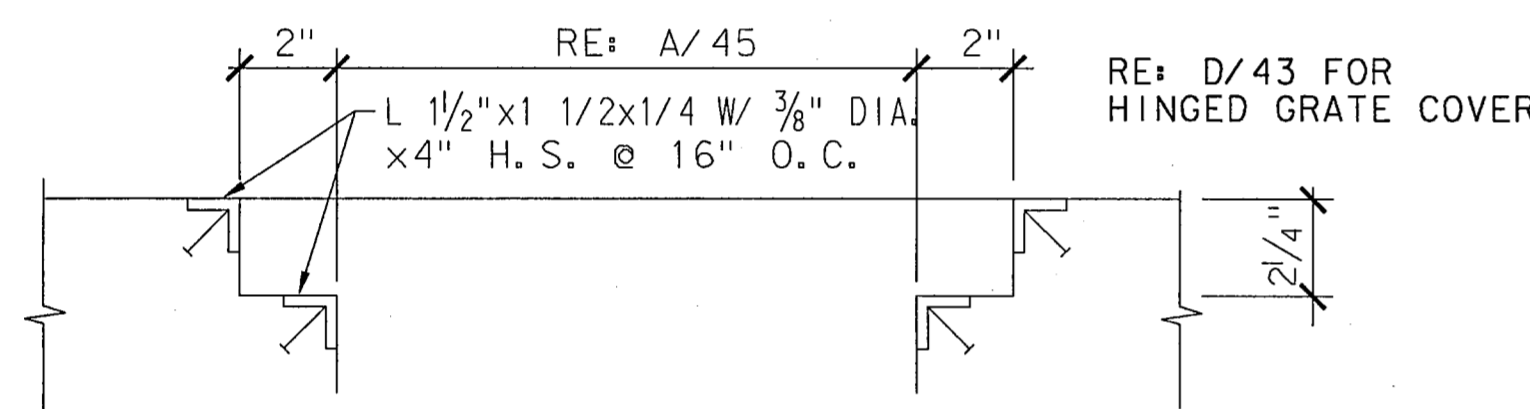
REINFORCEMENT AROUND WALL OPENINGS (B)  
1/2" = 1'-0"



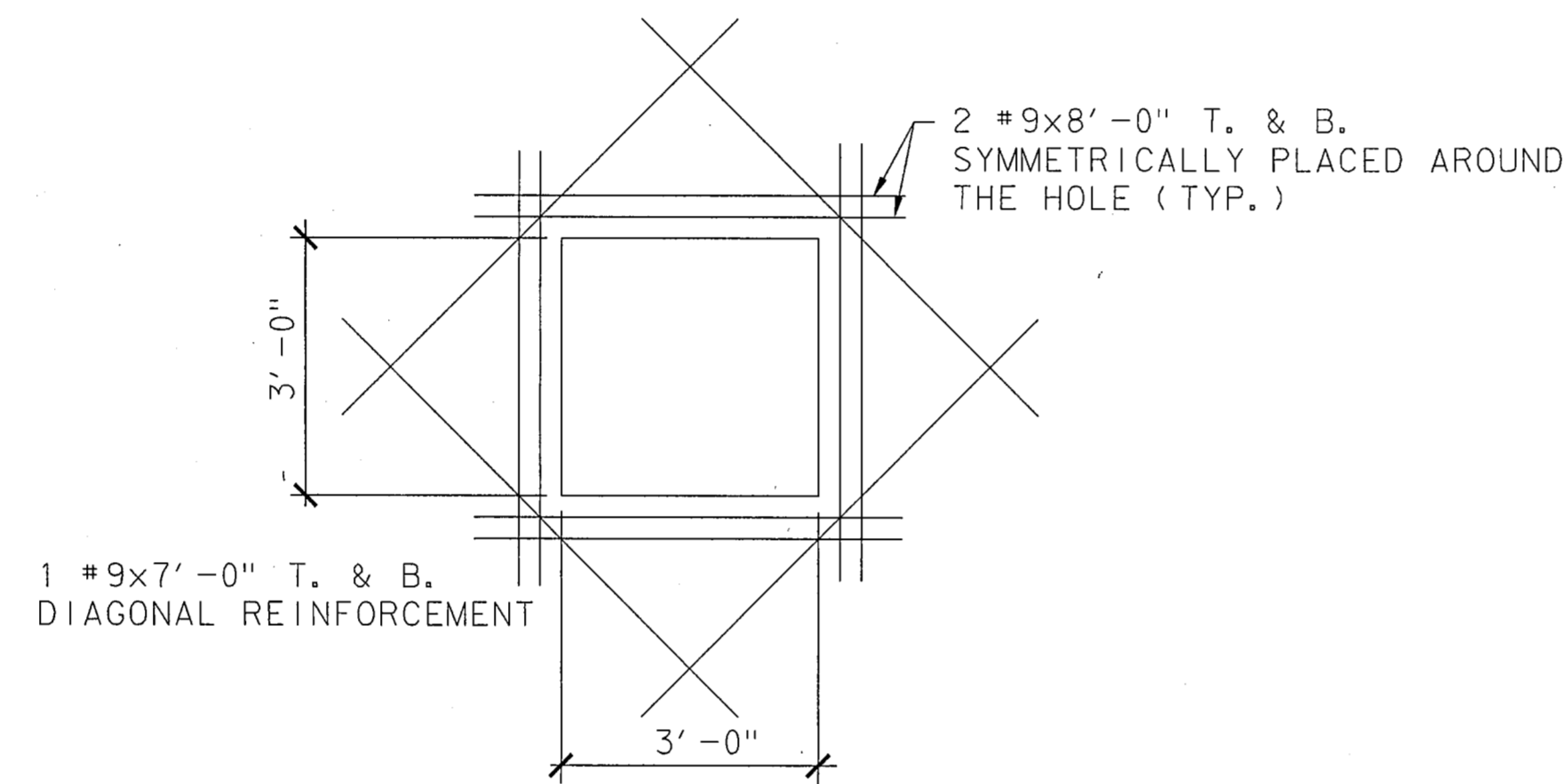
SECTION AT STAIR OPENINGS (C)  
1" = 1'-0"



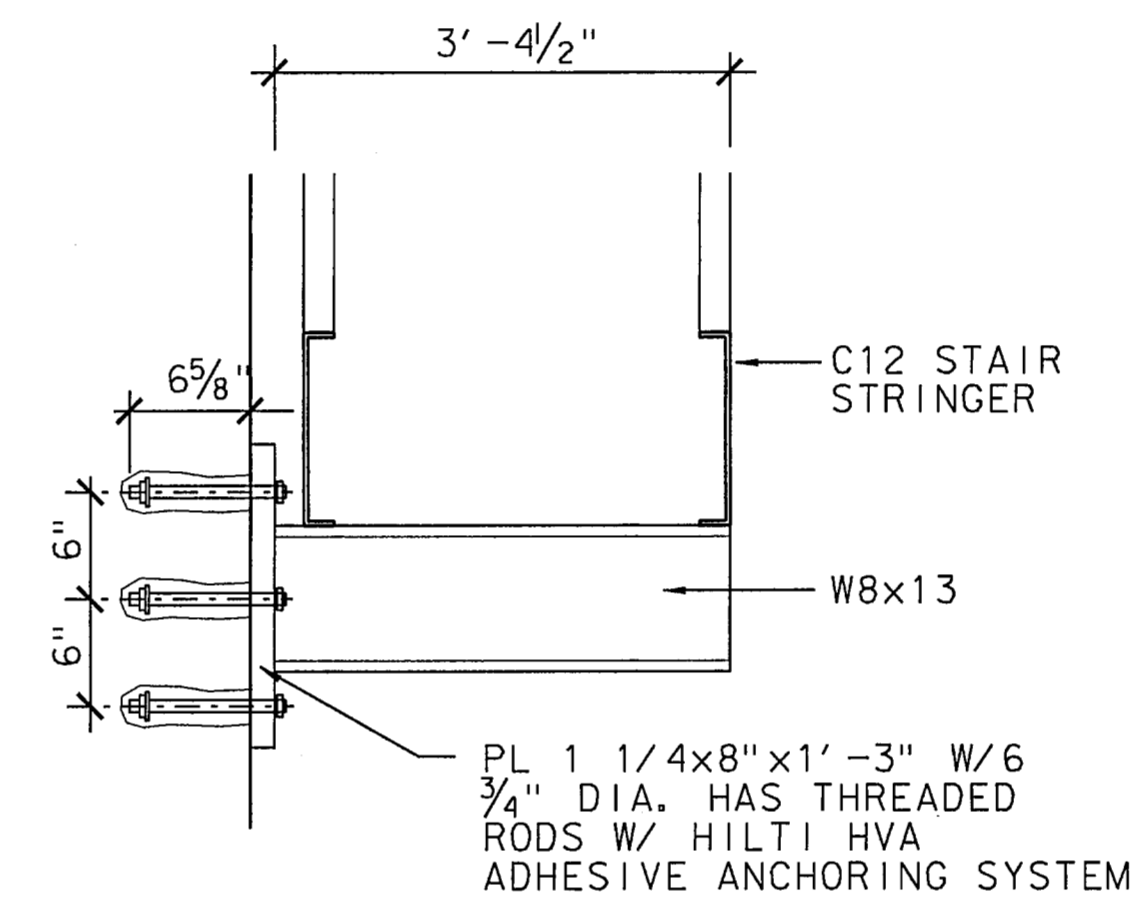
LONG SECTION AT STAIR OPENING (D)  
1" = 1'-0"



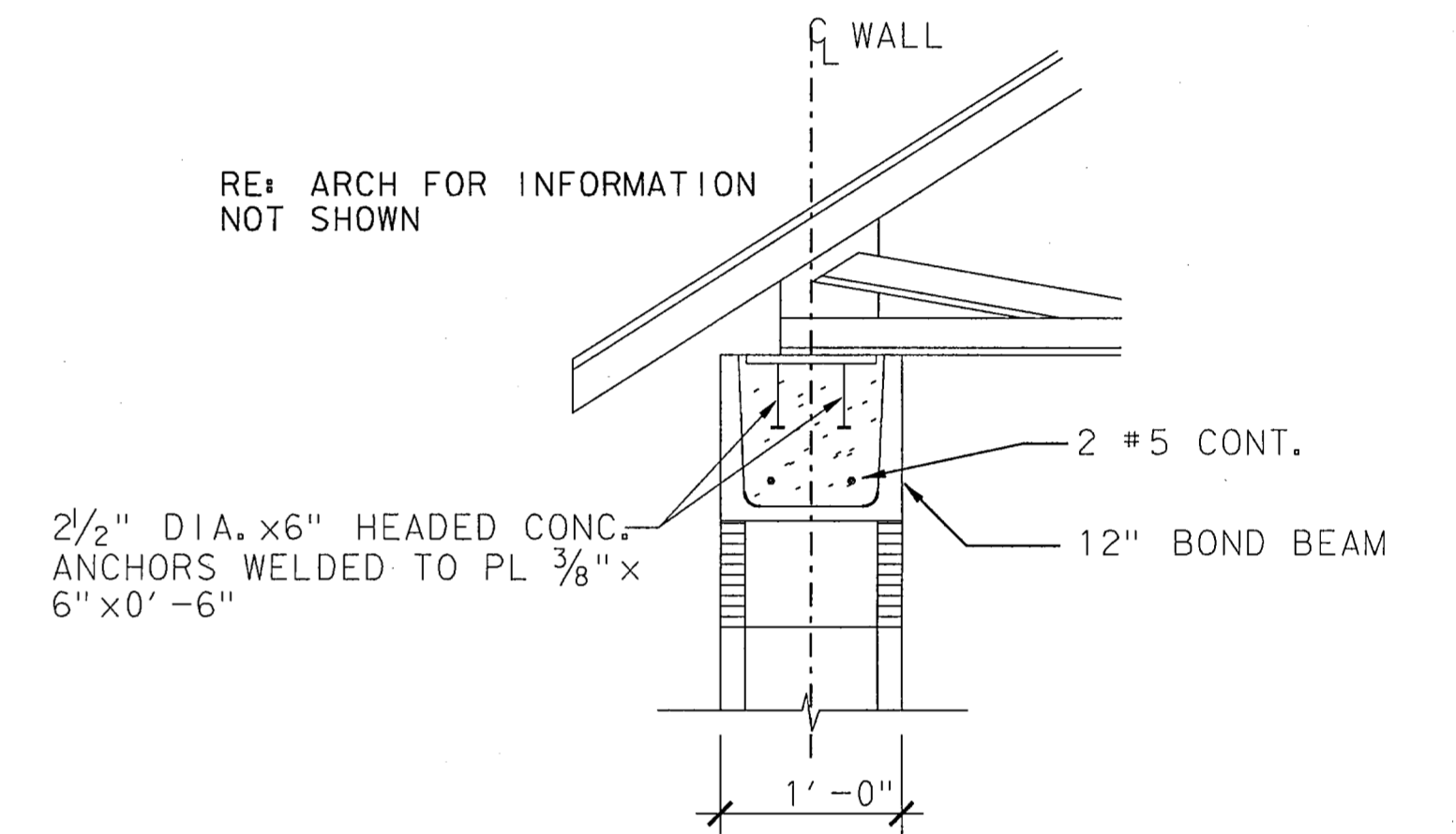
SECTION AT ACCESS HOLE (E)  
1" = 1'-0"



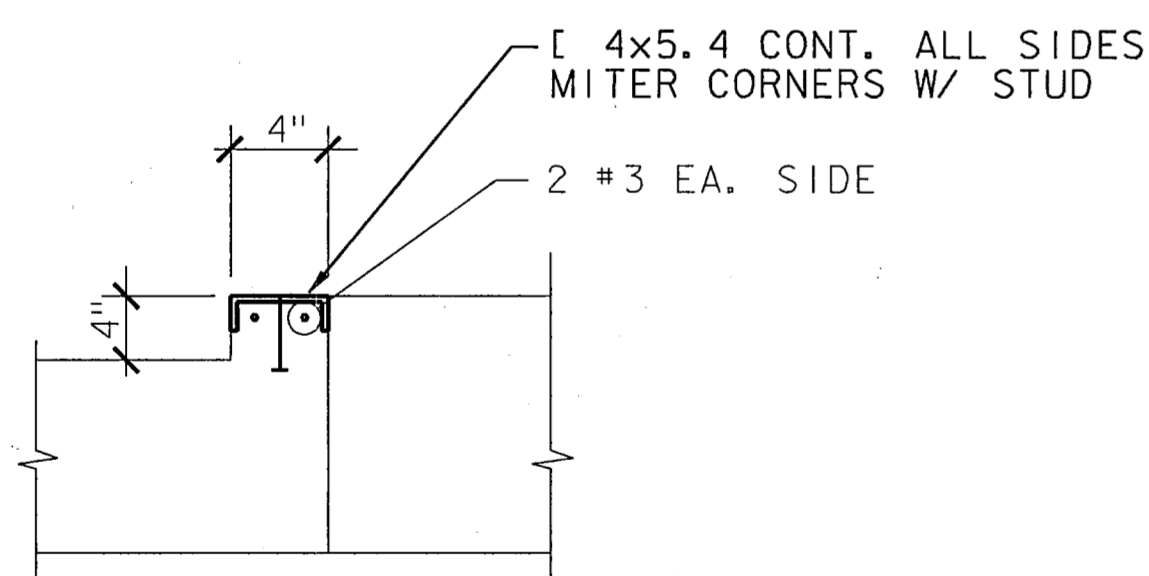
DETAIL - 3'-0" SQ. OPENINGS (F)  
1/2" = 1'-0"



TYPICAL STAIR SUPPORT (G)  
1" = 1'-0"



TRUSS SEAT AT BOND BEAM (H)  
1" = 1'-0"



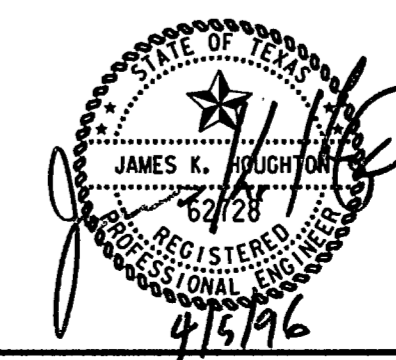
HATCH AND FAN OPENING DETAIL (I)  
1" = 1'-0"

4		
3		
2		
1		
NO.	DATE	REVISION

TOWN OF ADDISON, TEXAS  
MIDWAY/BELTLINE SANITARY SEWER  
PHASE II  
LIFT STATION  
STRUCTURAL DETAILS

**Carter Burgess**

Consultants in Engineering, Architecture,  
Planning and the Environment  
CARTER & BURGESS, INC.  
7850 ELMBROOK DRIVE, SUITE 250  
DALLAS, TX 75247-4961



Unit	Scale	Date	04-05-96
Designed	K. Houghton	Checked	K. Houghton
Drawn	C. Simmons	Approved	J. Lindner
Job No.	933276010	Sheet	48 of 63