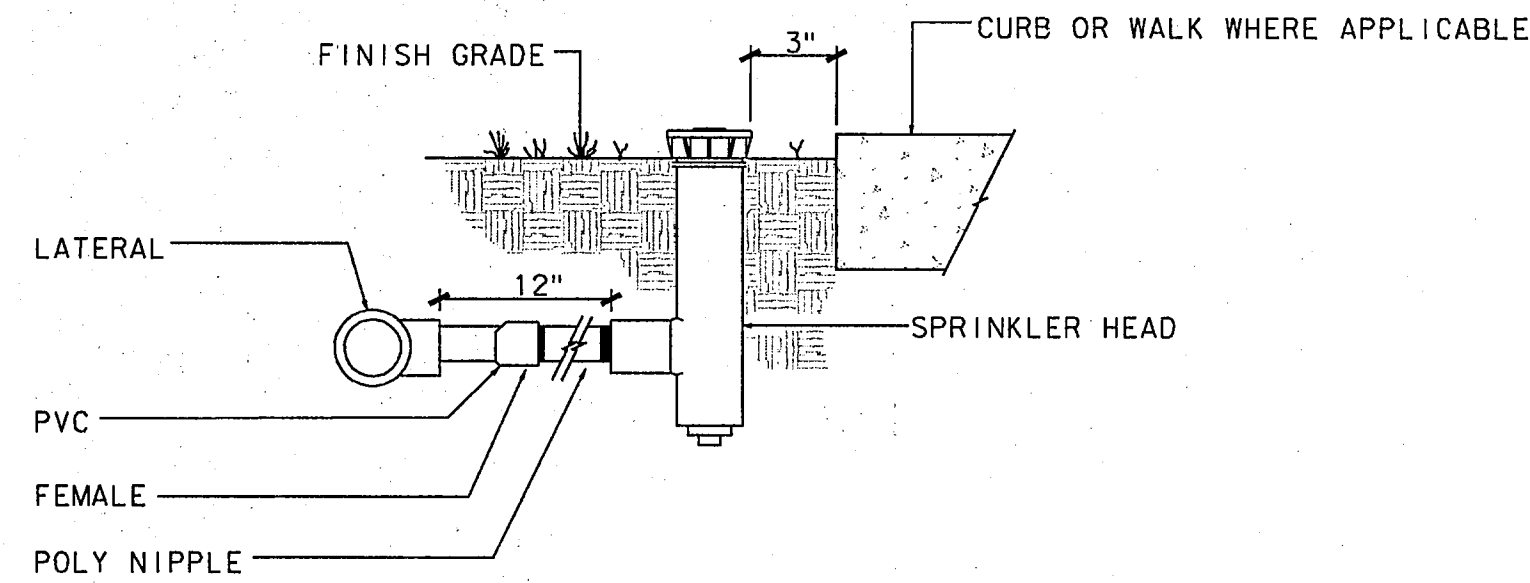


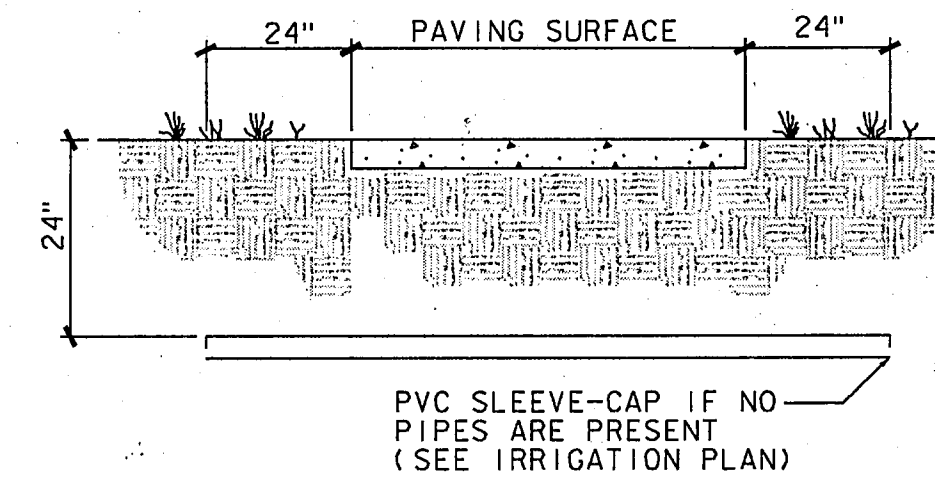
**TURF POP-UP SPRAY AND ROTOR HEAD DETAIL**

NOT TO SCALE



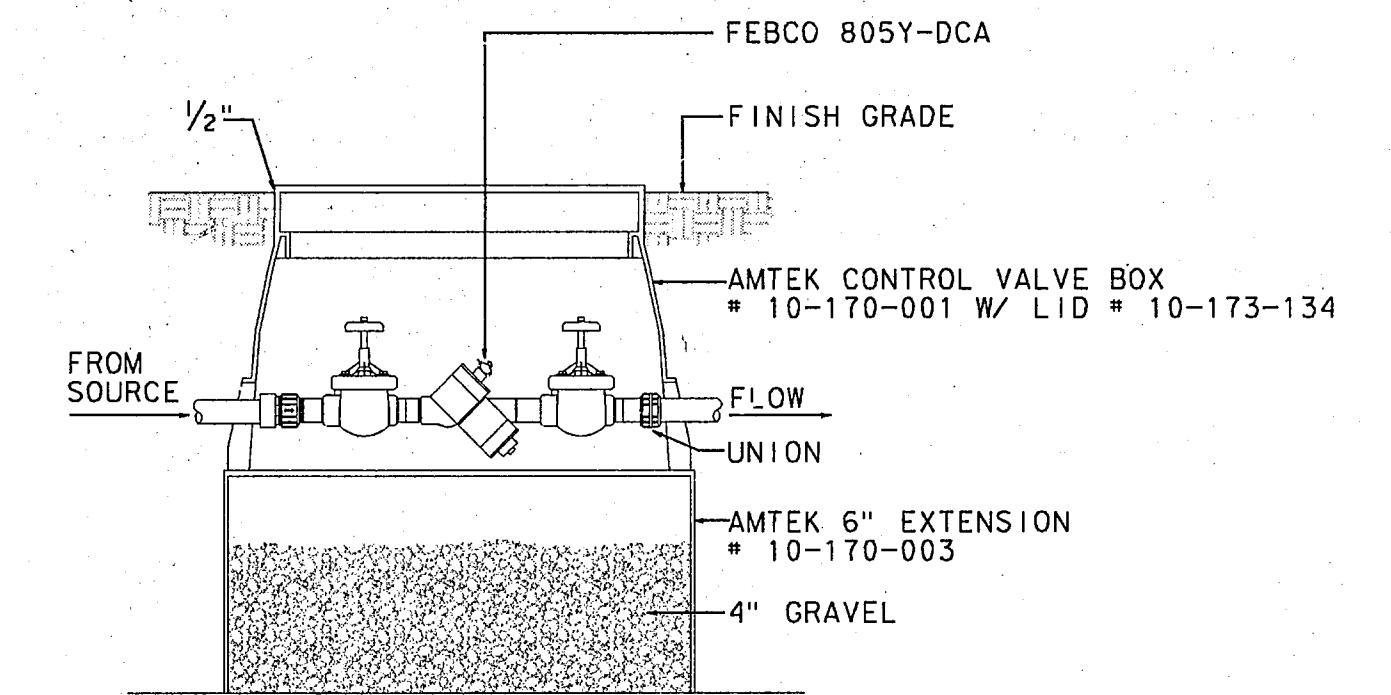
**HIGH POP-UP SPRAY HEAD DETAIL**

NOT TO SCALE



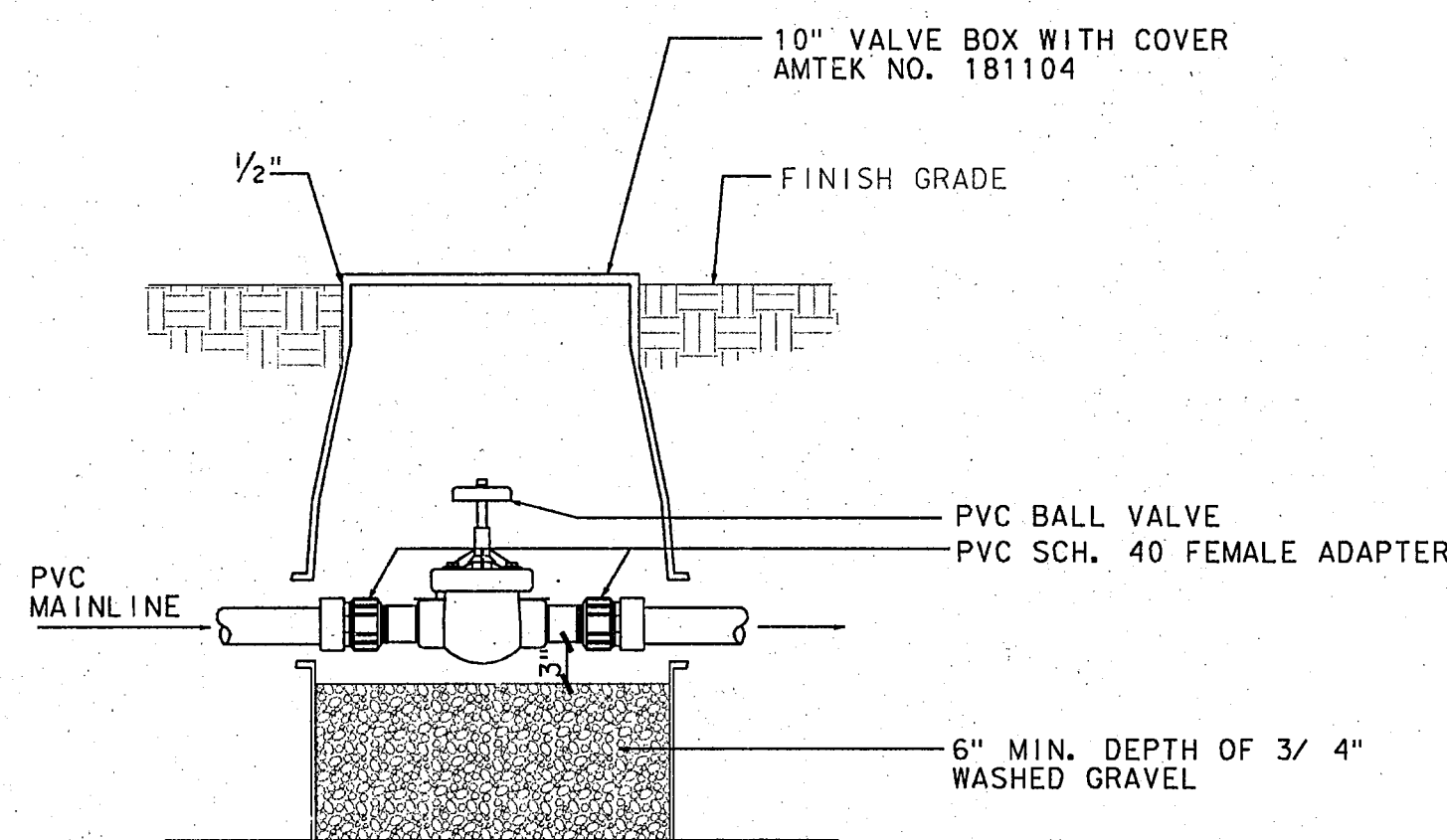
**SLEEVE DETAIL**

NOT TO SCALE



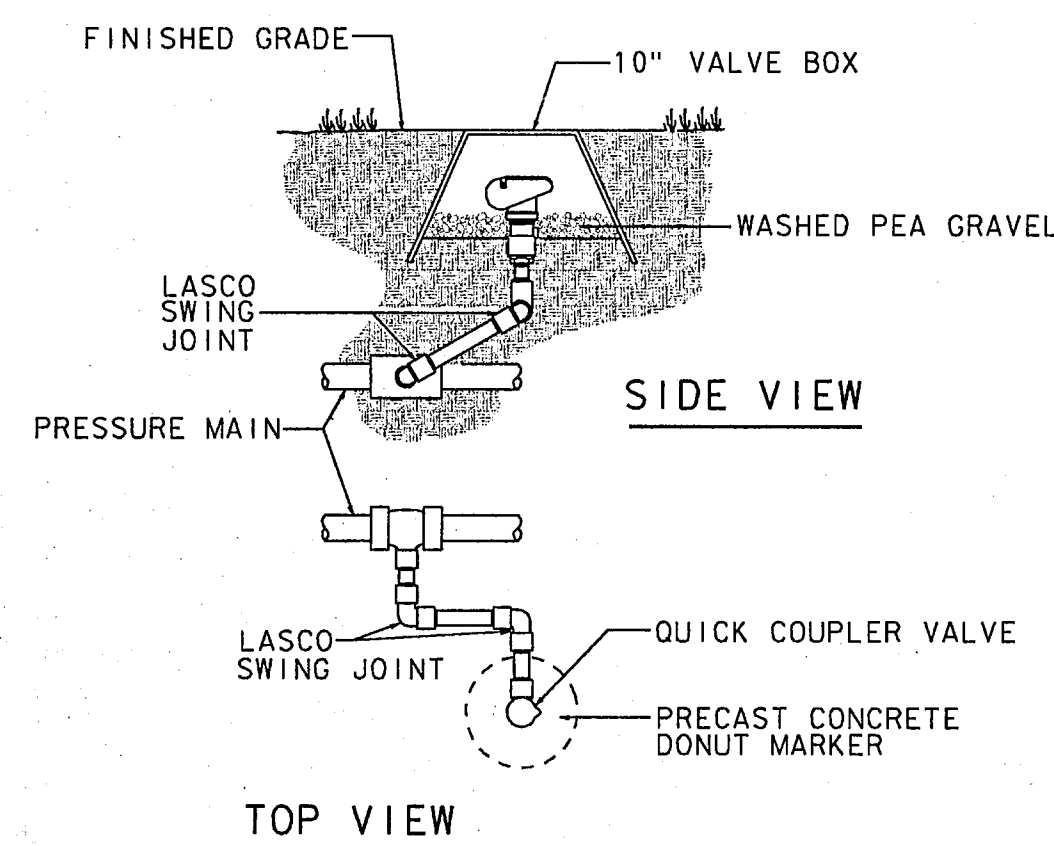
**BACKFLOW PREVENTION DETAIL**

NOT TO SCALE



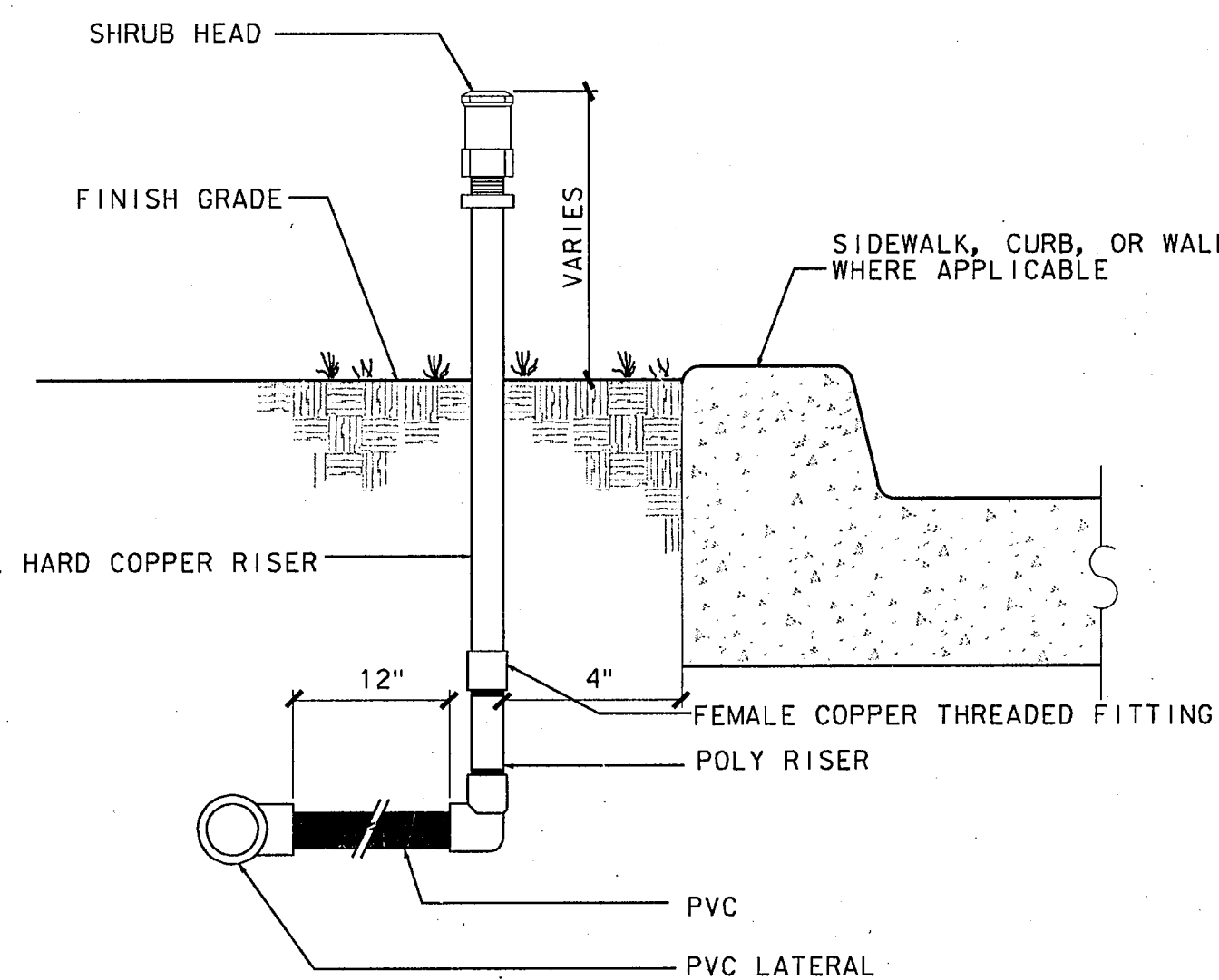
**ISOLATION GATE VALVE DETAIL**

NOT TO SCALE



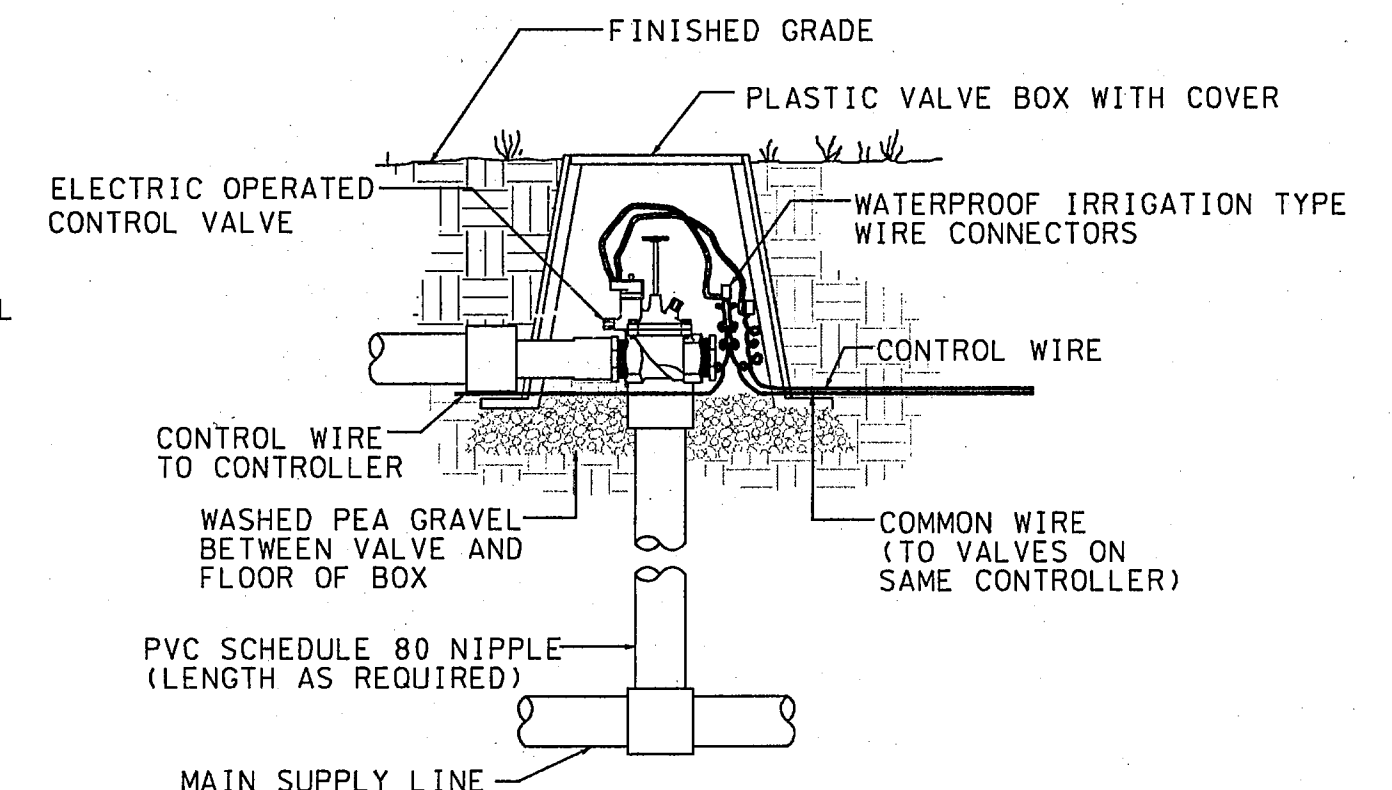
**QUICK COUPLING VALVE DETAIL**

NOT TO SCALE



**SHRUB HEAD DETAIL**

NOT TO SCALE

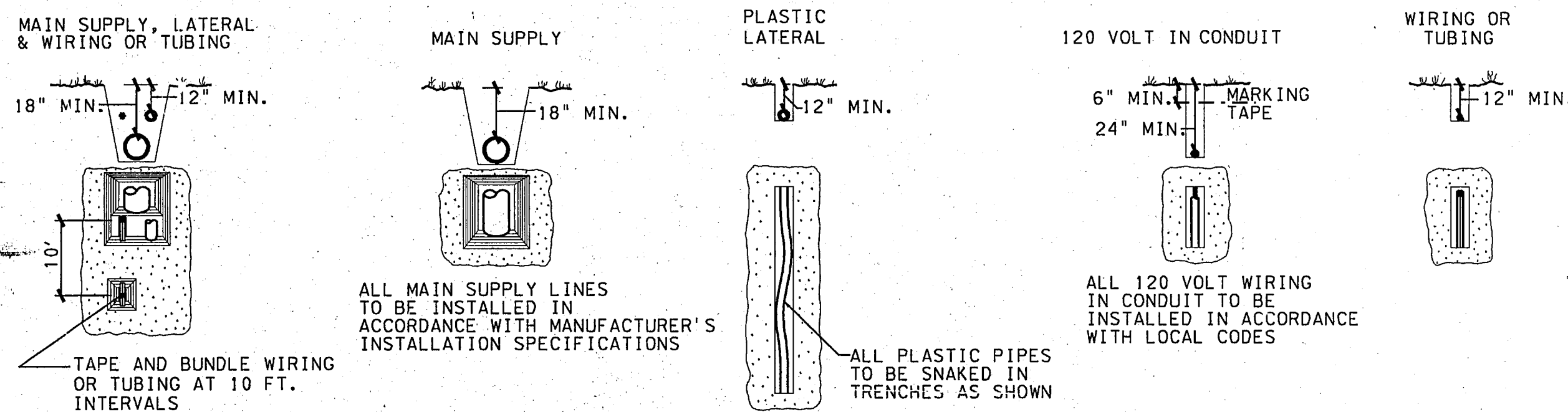


**SOLENOID VALVE DETAIL**

NOT TO SCALE

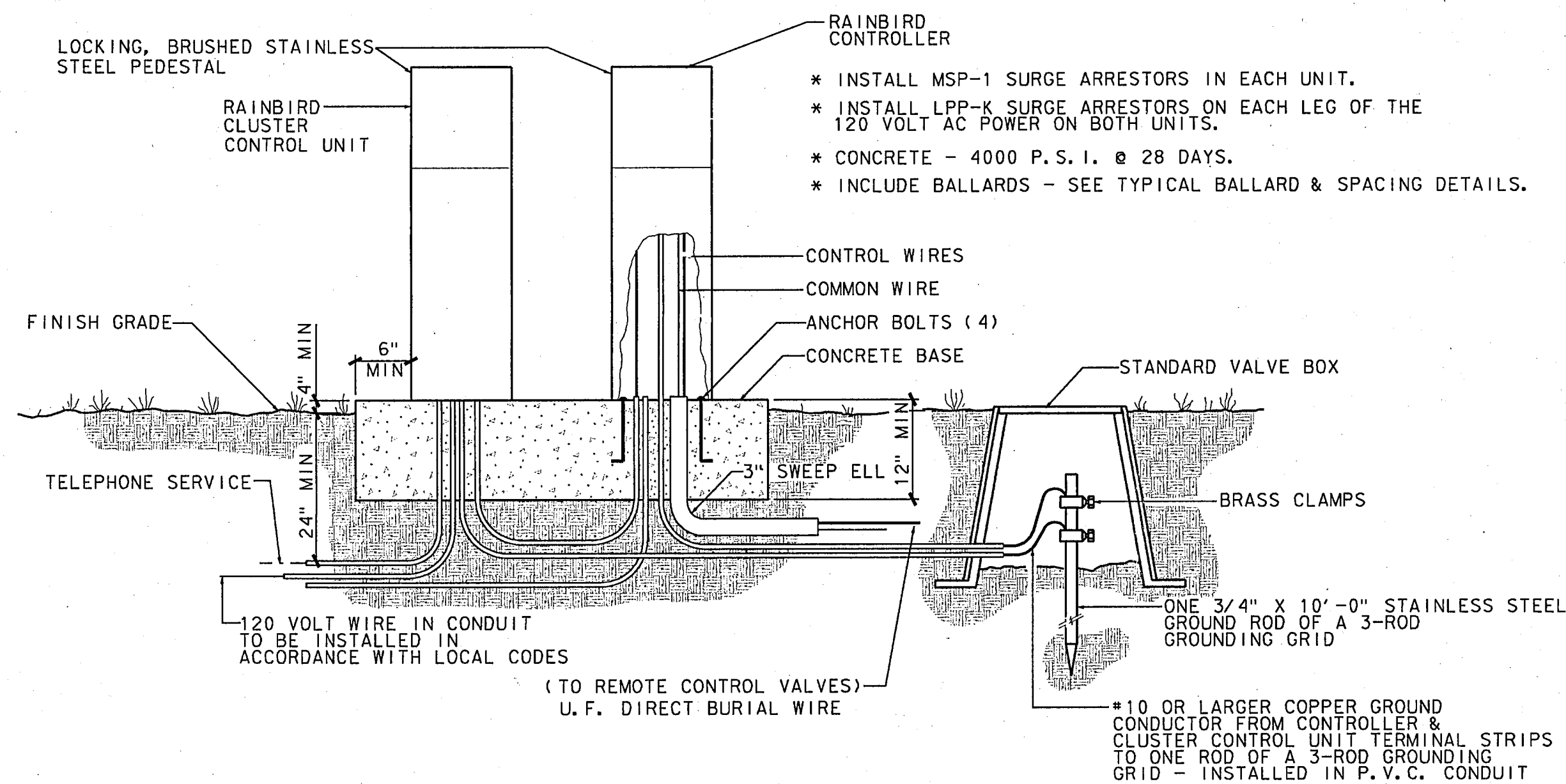
**NOTES**

1. ALL WIRE TO BE INSTALLED PER LOCAL CODE.
2. TAPE AND BUNDLE WIRE EVERY TEN FEET.
3. PROVIDE EXPANSION COILS AT EACH WIRE CONNECTION IN VALVE BOX. (WRAP AROUND 1/2" PIPE 15 TIMES.)
4. COMPACT SOIL AROUND VALVE BOX TO SAME DENSITY AS UNDISTURBED ADJACENT SOIL.
5. ORIENT RECTANGULAR VALVE BOXES SO THAT THE EDGES ARE PARALLEL TO ADJACENT WALKS, CURBS, ETC.



**TRENCHING DETAILS**

NOT TO SCALE



**TYPICAL CONTROLLER & CL. CONTROL UNIT PAD DETAILS**

NOT TO SCALE

4			
3			
2			
1			
NO.	DATE	REVISION	APPROV.

TOWN OF ADDISON, TEXAS

MIDWAY/BELTLINE SANITARY SEWER  
PHASE II

LIFT STATION  
IRRIGATION DETAILS

**Carter & Burgess**

Consultants in Engineering, Architecture,  
Planning and the Environment  
CARTER & BURGESS, INC.  
7500 EMERSON DRIVE, SUITE 200  
DALLAS, TX 75247-4961

Unit	Scale	1" = 20'	Date	04-05-96
Designed	B. Luck	Checked	J. Lindner	Job No. 93327601D
Drawn	B. Luck	Approved	J. Lindner	Sheet 63 of 63

