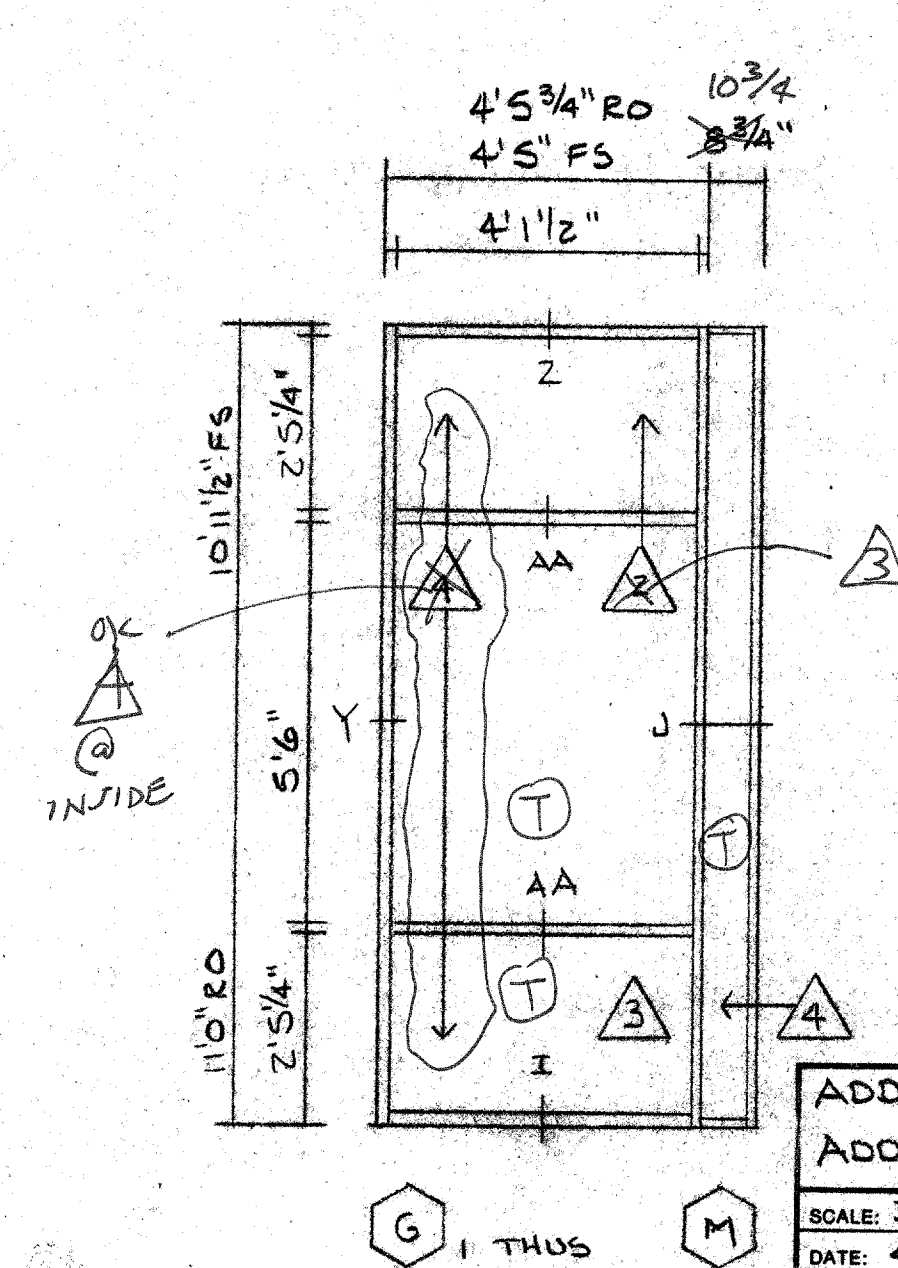
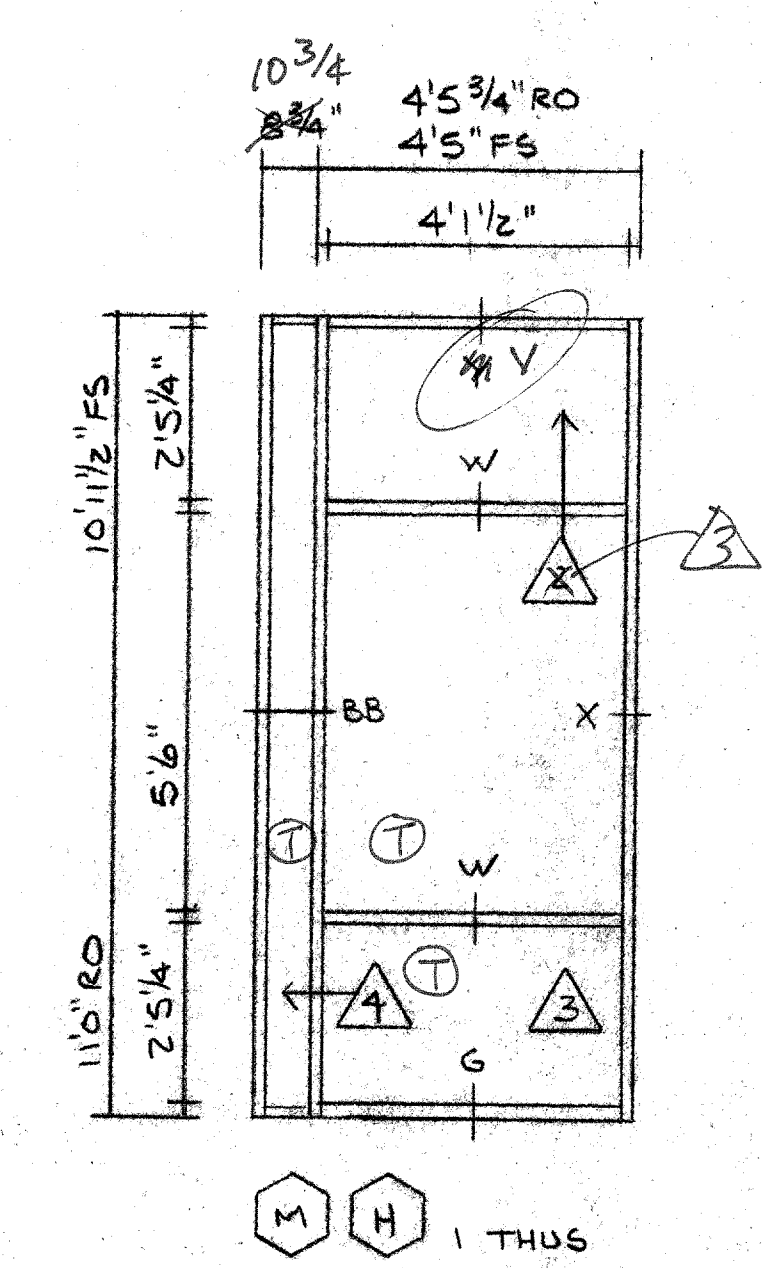
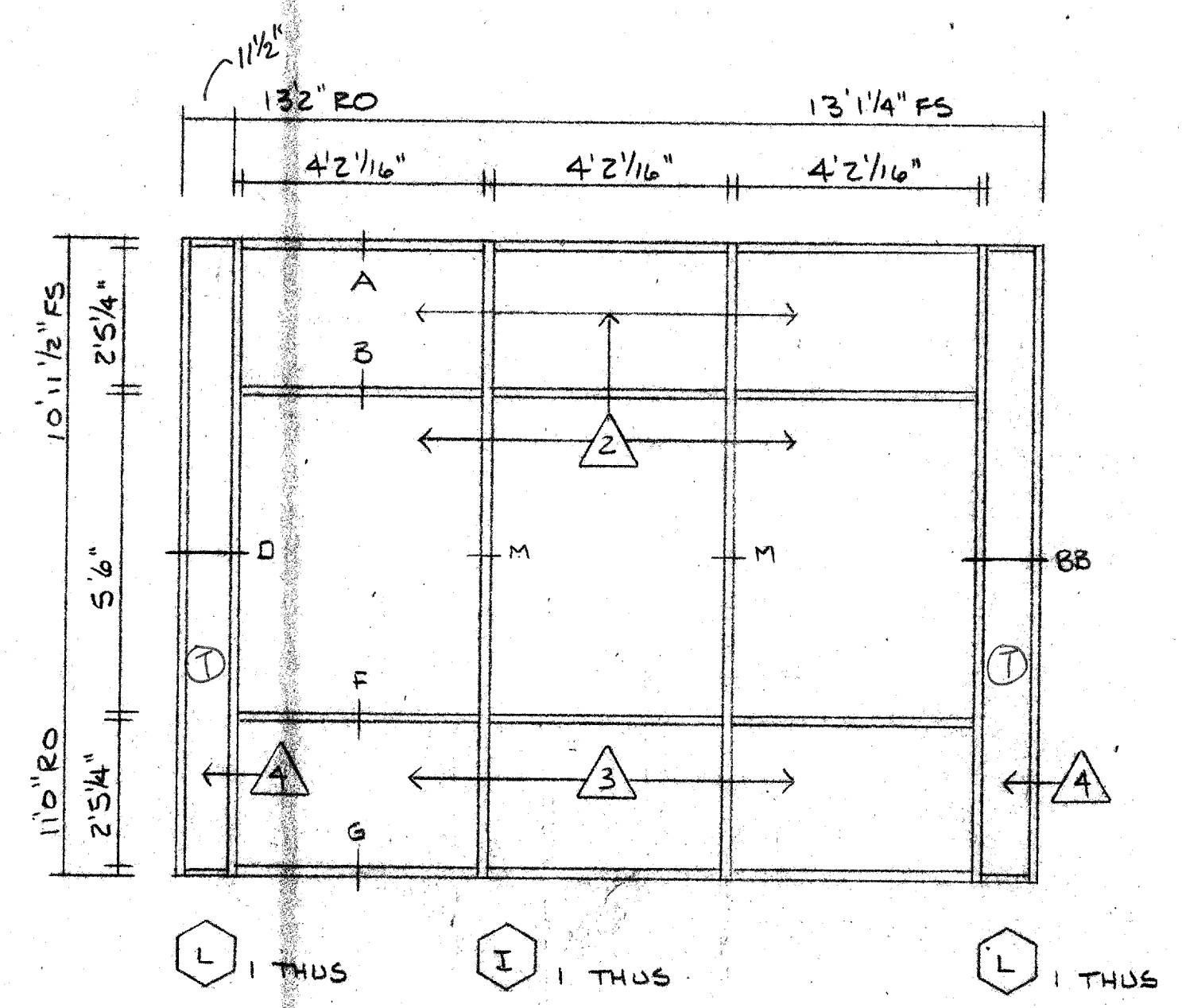
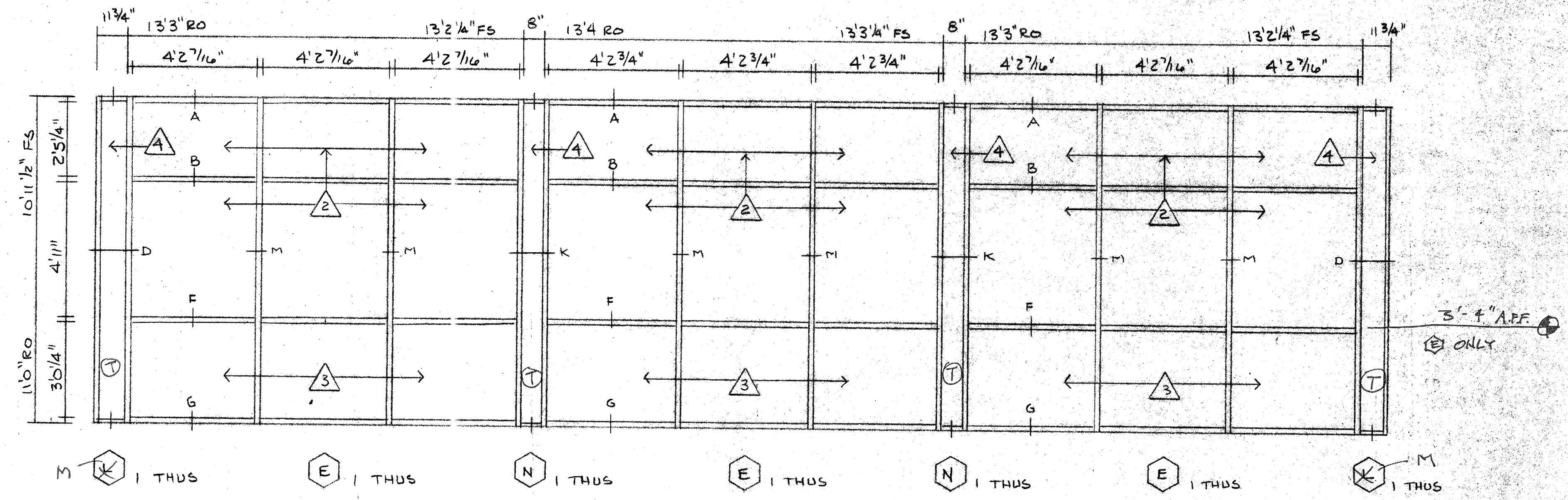
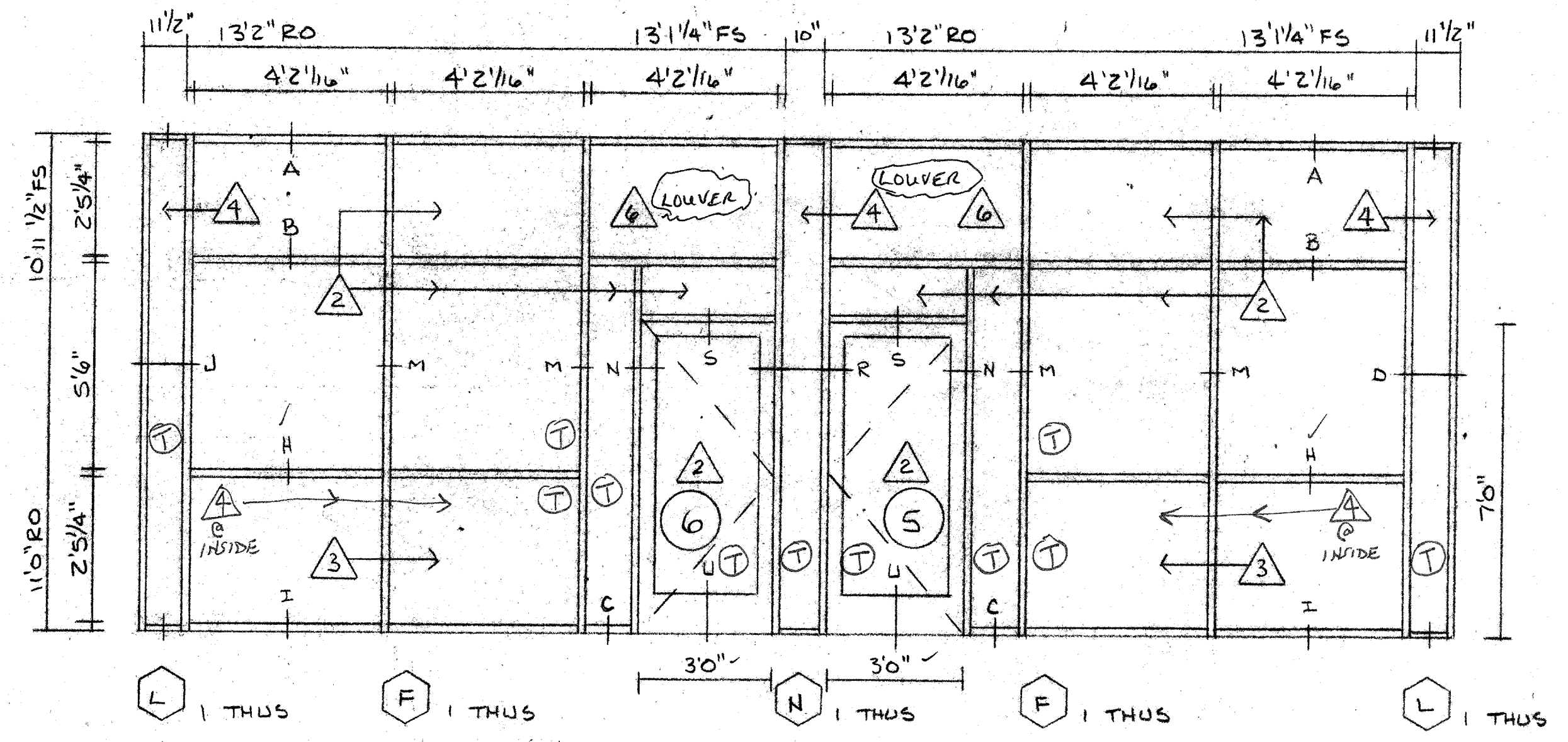
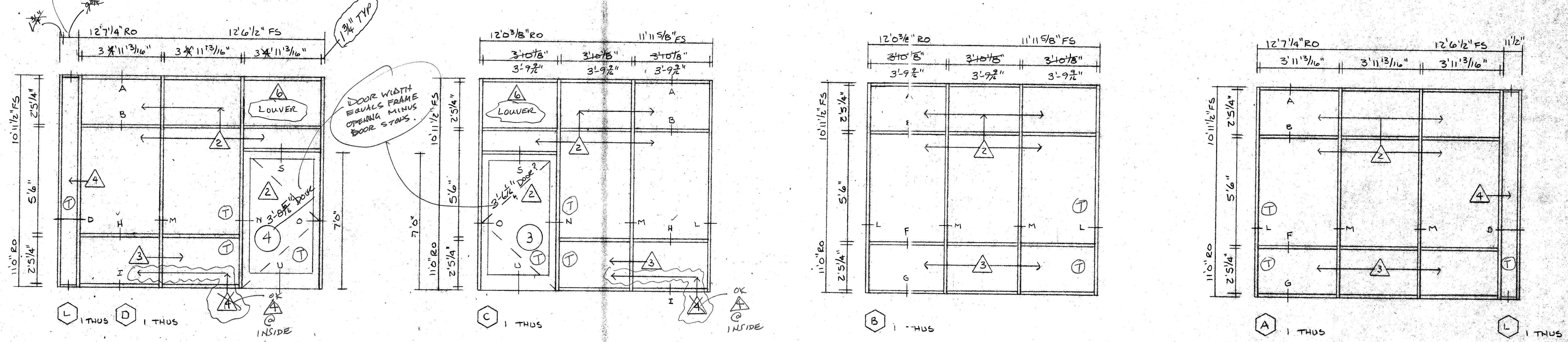


SEE DETAILS FOR CORNER CONDITIONS (NOTED ONLY ONCE)



ADDISON ART AND EVENT PAVILION ADDISON, TEXAS		
SCALE: 3/8"=1'-0"	APPROVED BY	DRAWN BY
DATE: 4-23-03		R. POTAMUS
BIG SKY CONSTRUCTION COMPANY, INC.		
SUNNYVALE, TEXAS		
INDUSTRIAL GLASS, INC.		
FORT WORTH, TEXAS		
	DRAWING NUMBER	
	2 of 17	