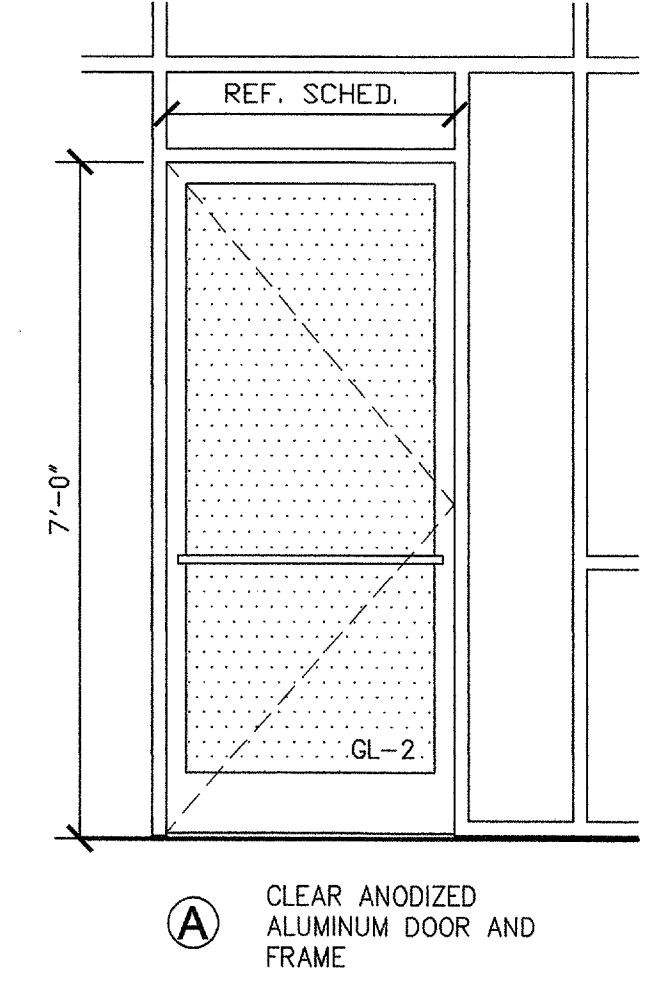
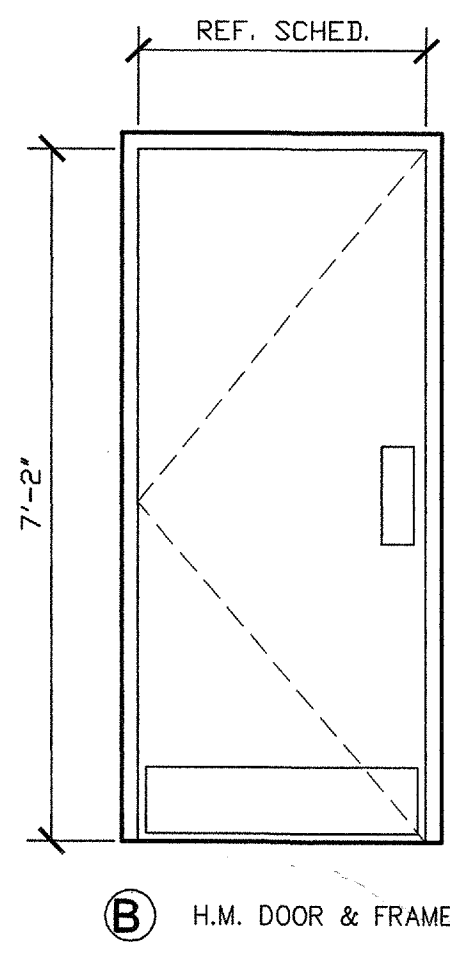
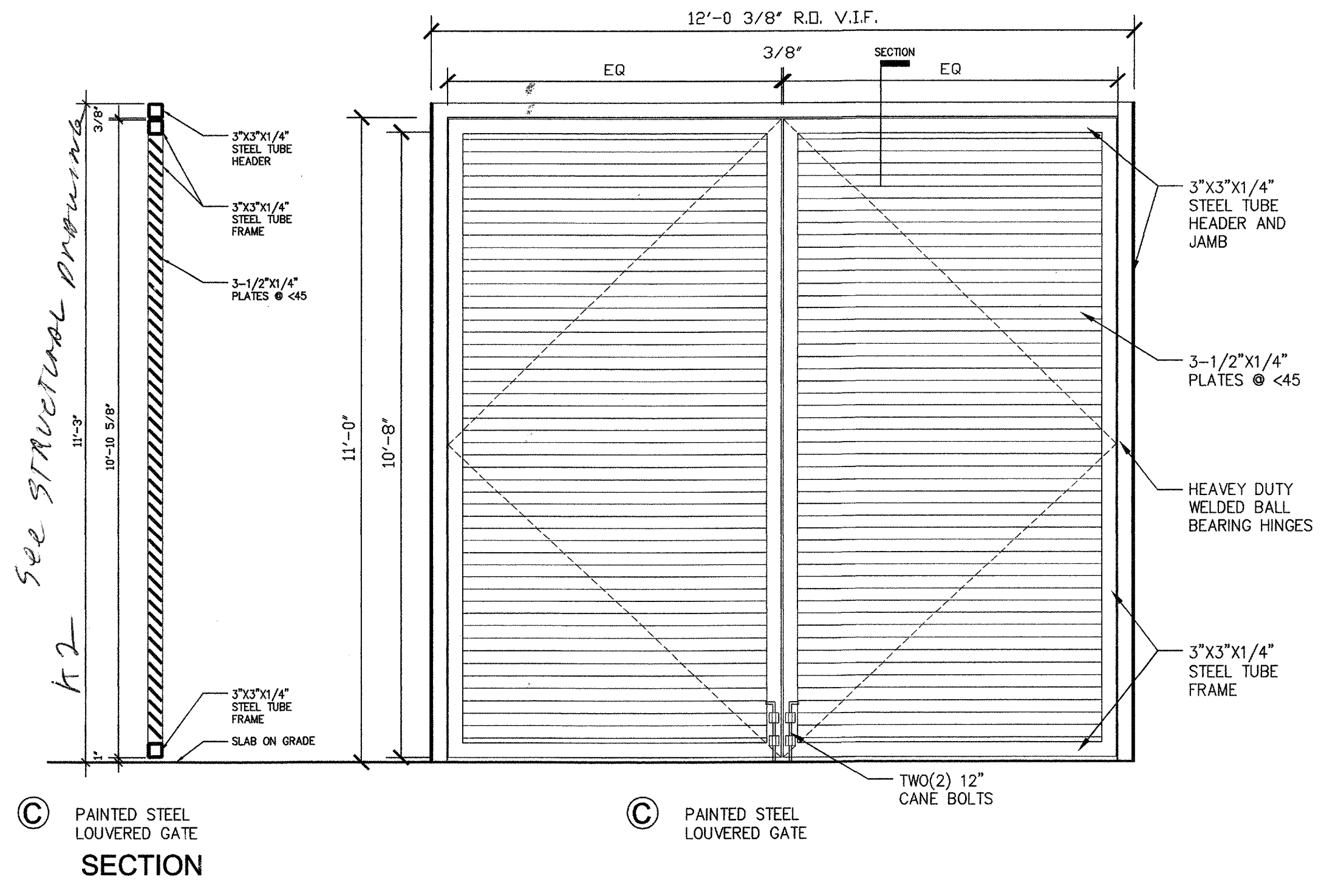


DOOR SCHEDULE									
DOOR NUMBER	DOOR TYPE	DOOR MATERIAL	DOOR FINISH	DOOR SIZE	FRAME MATERIAL	FRAME FINISH	FIRE RATING	NOTES	HARDWARE SET
01, 02	/	ALUMINUM & GLASS STOREFRONT	CLR. ANODIZED ALUM. & MILKY GLASS	3'-0" X 7'-0" X 1 3/4"	CLR. ANODIZED ALUM. & MILKY GLASS	ALUMINUM	NONE	TRANSOM ABOVE AND SIDE LITE	1
03	/	ALUMINUM & GLASS STOREFRONT	CLR. ANODIZED ALUM. & MILKY GLASS	3'-9 1/2" X 7'-0" X 1 3/4" VIF	CLR. ANODIZED ALUM. & MILKY GLASS	ALUMINUM	NONE	TRANSOM ABOVE	2
04	/	ALUMINUM & GLASS STOREFRONT	CLR. ANODIZED ALUM. & MILKY GLASS	4'-0 1/8" X 7'-0" X 1 3/4" VIF	CLR. ANODIZED ALUM. & MILKY GLASS	ALUMINUM	NONE	TRANSOM ABOVE	2
05, 06	/	ALUMINUM & GLASS STOREFRONT	CLR. ANODIZED ALUM. & MILKY GLASS	3'-0" X 7'-0" X 1 3/4"	CLR. ANODIZED ALUM. & MILKY GLASS	ALUMINUM	NONE	TRANSOM ABOVE AND SIDE LITE	2
07, 08	E	HOLLOW METAL	PAINTED	3'-0" X 7'-4" X 1 3/4"	HOLLOW METAL	PAINTED	NONE	-	3
09, 10	E	HOLLOW METAL	PAINTED	4'-2 3/8" X 7'-0" X 1 3/4" 4'-2 1/8" X 7'-0" X 1 3/4"	HOLLOW METAL	PAINTED	NONE	-	4
10	C	1x2 T.S. FRAME	PAINTED	FIELD MEASURE	STEEL	PAINTED	NONE	-	5
11	E	ALUMINUM & GLASS SLIDING MALL DOOR	CLR. ANODIZED ALUM. & MILKY GLASS	6'-0 3/8" X 8'-8" X 1 3/4" VIF	CLR. ANODIZED ALUM. & MILKY GLASS	ALUMINUM	NONE	SLIDING POCKET DOOR	6
12	E	ALUMINUM & GLASS SLIDING MALL DOOR	CLR. ANODIZED ALUM. & MILKY GLASS	6'-4 3/8" X 8'-8" X 1 3/4" VIF	CLR. ANODIZED ALUM. & MILKY GLASS	ALUMINUM	NONE	SLIDING POCKET DOOR	6



date	issue
08/26/02	DD
11/05/02	50% CD
01/23/03	100% CD
01/31/03	ADDENDUM 1
03/04/03	POST-BID REVISION