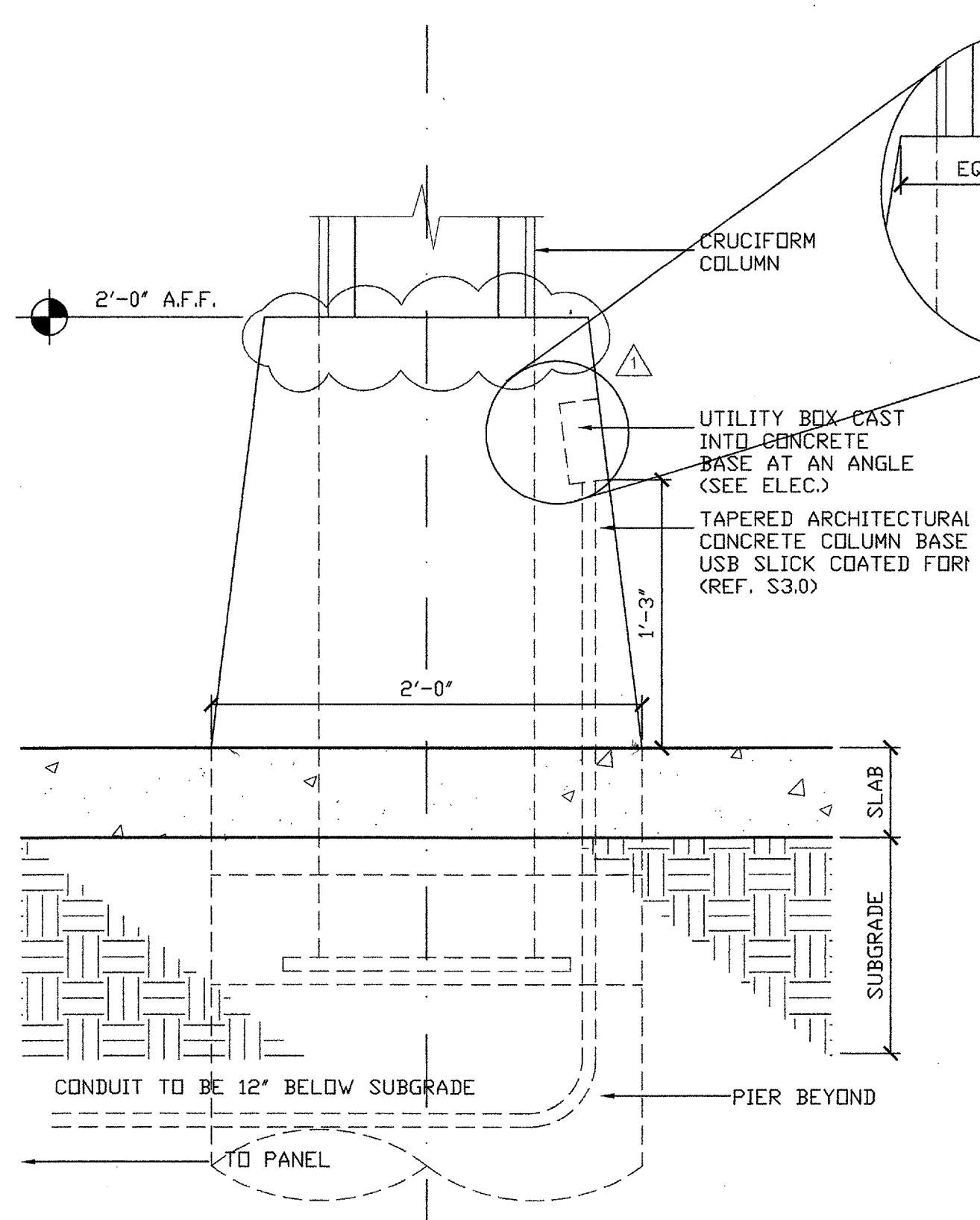
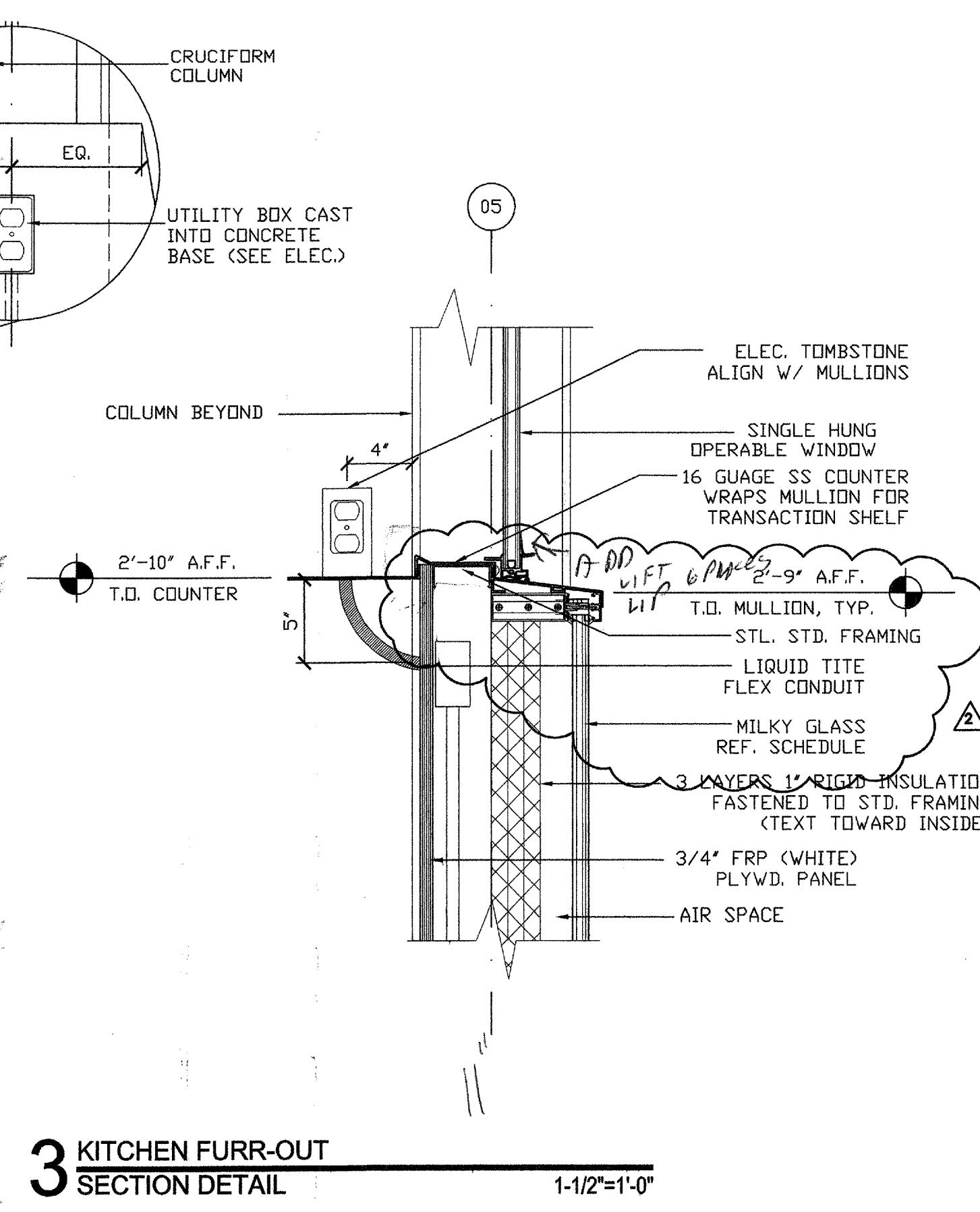
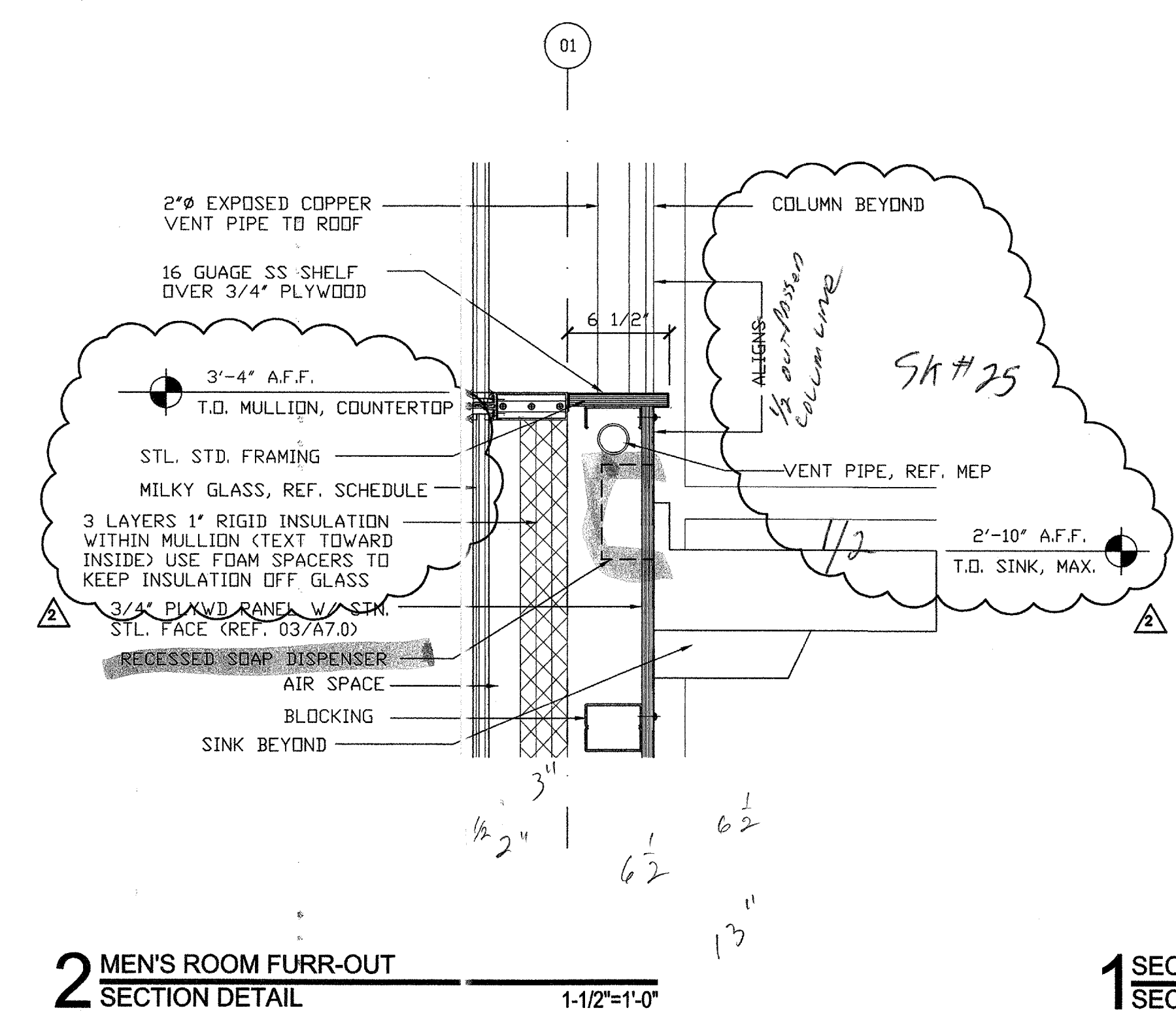
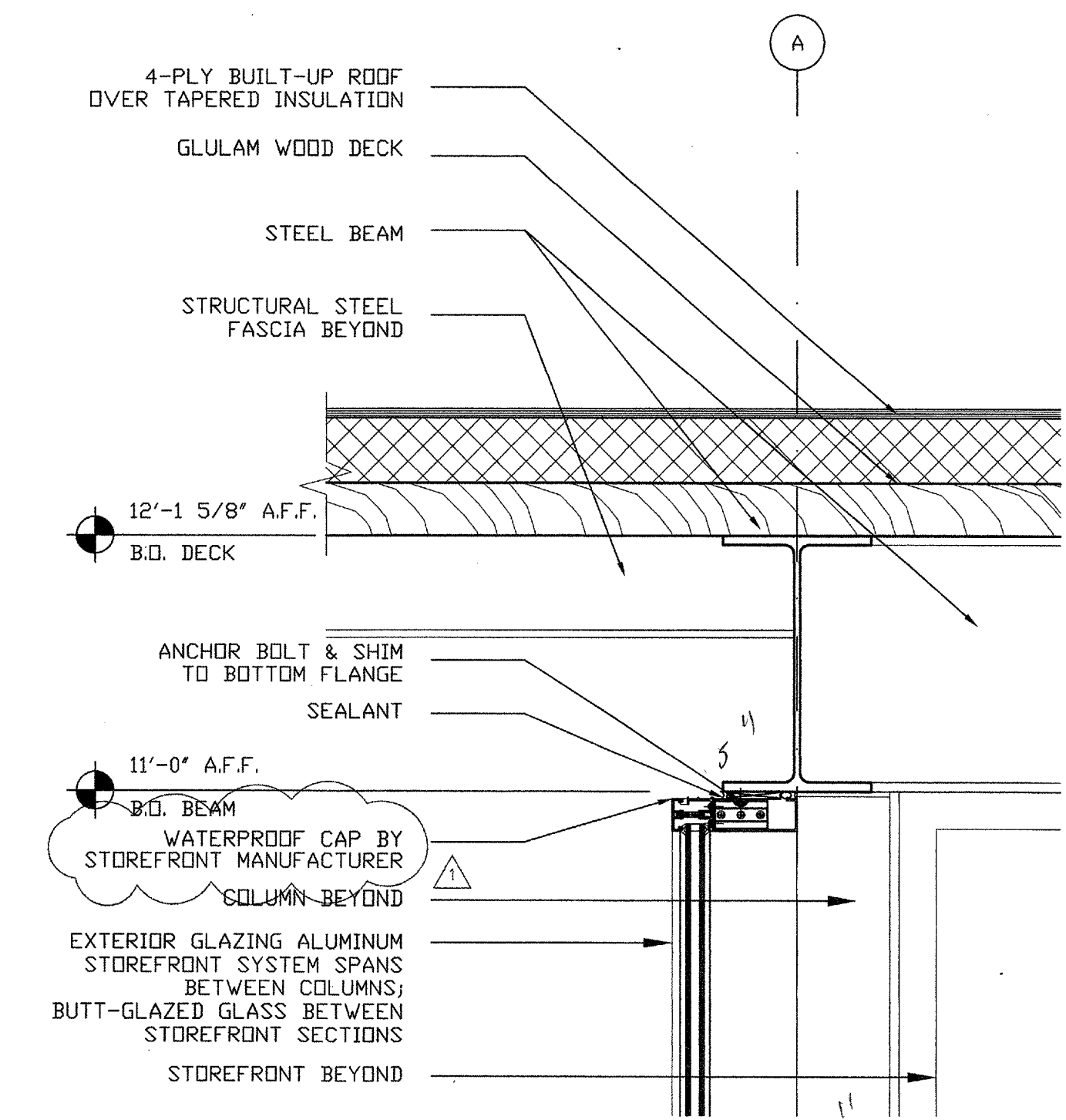
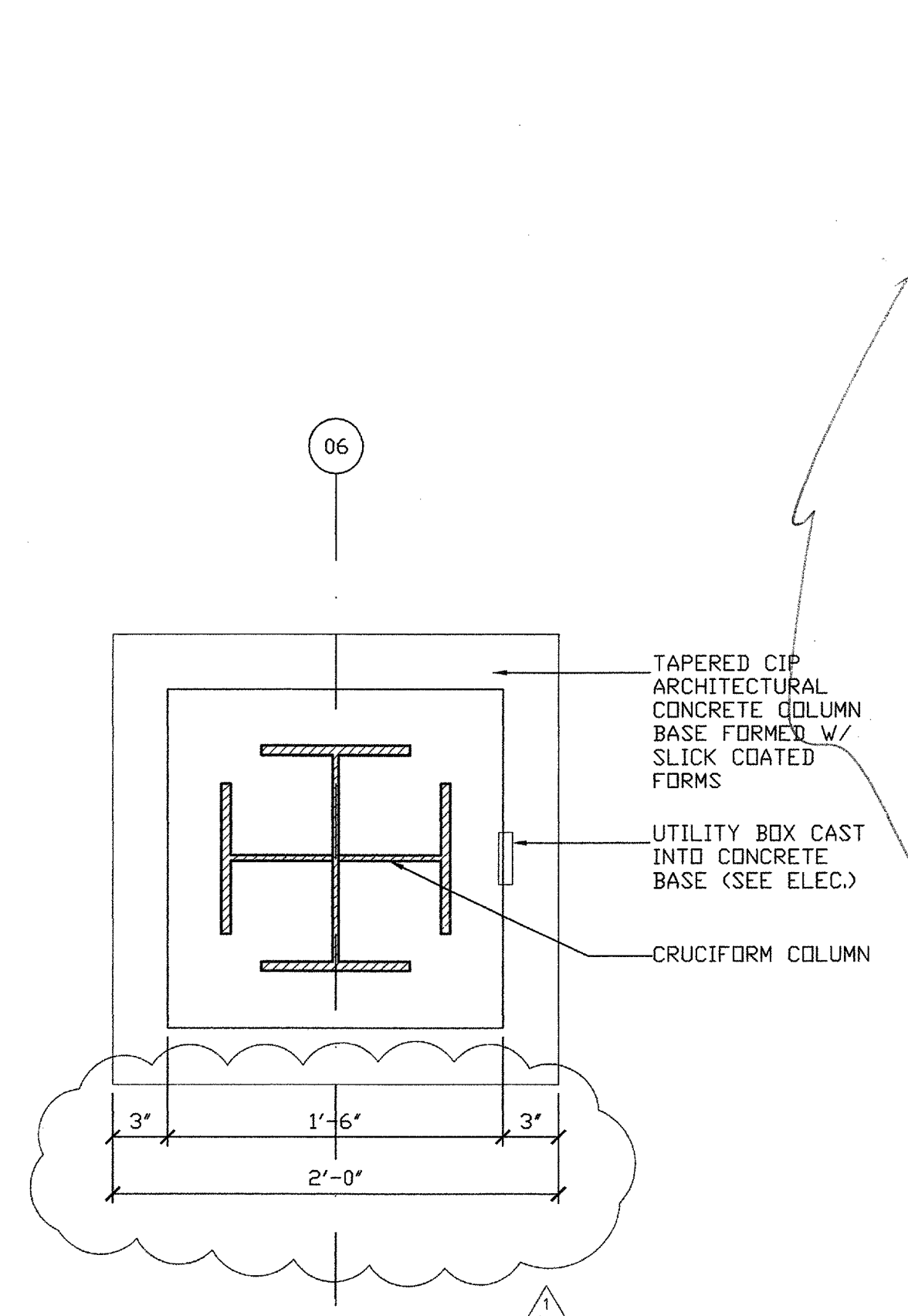
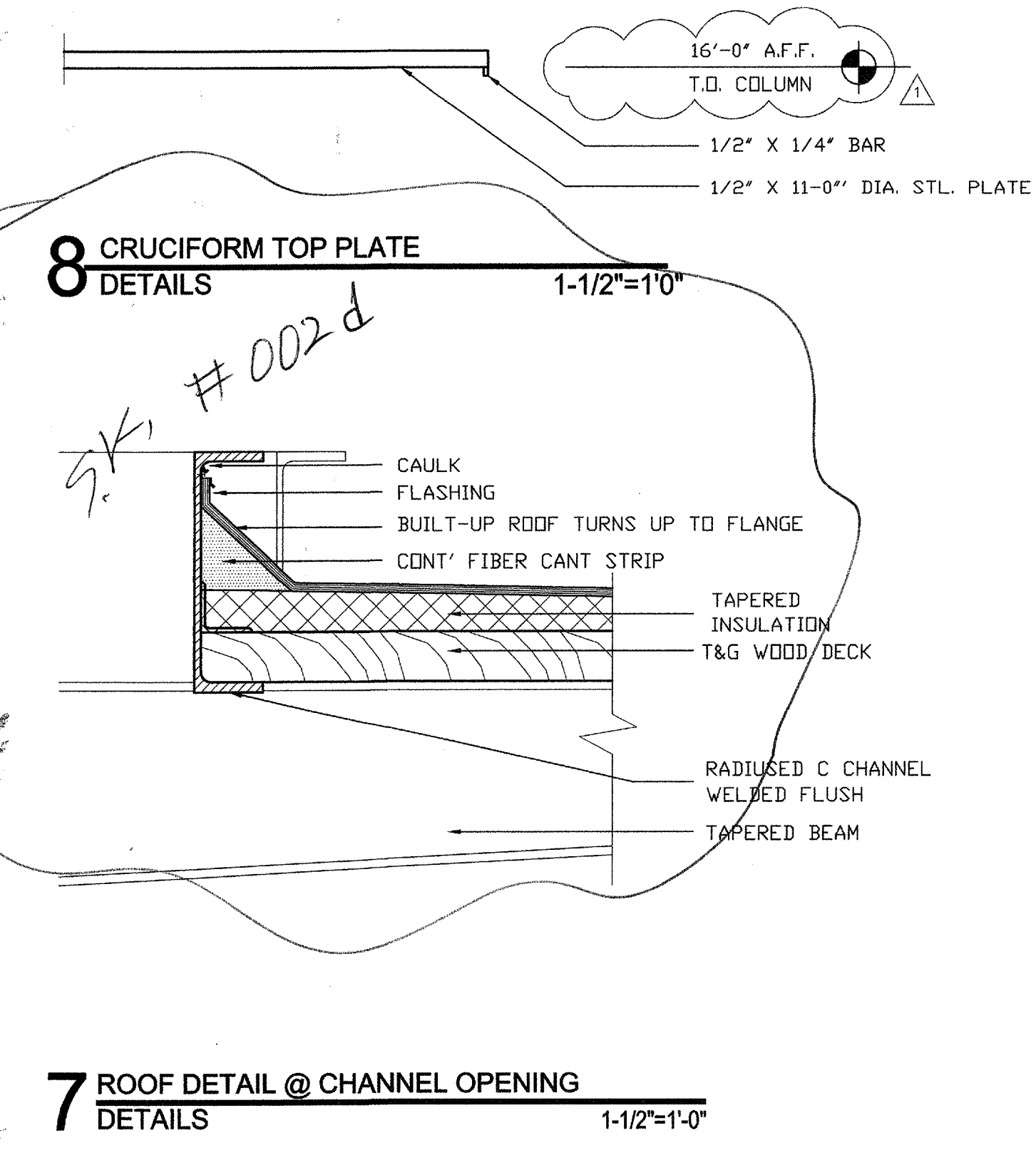
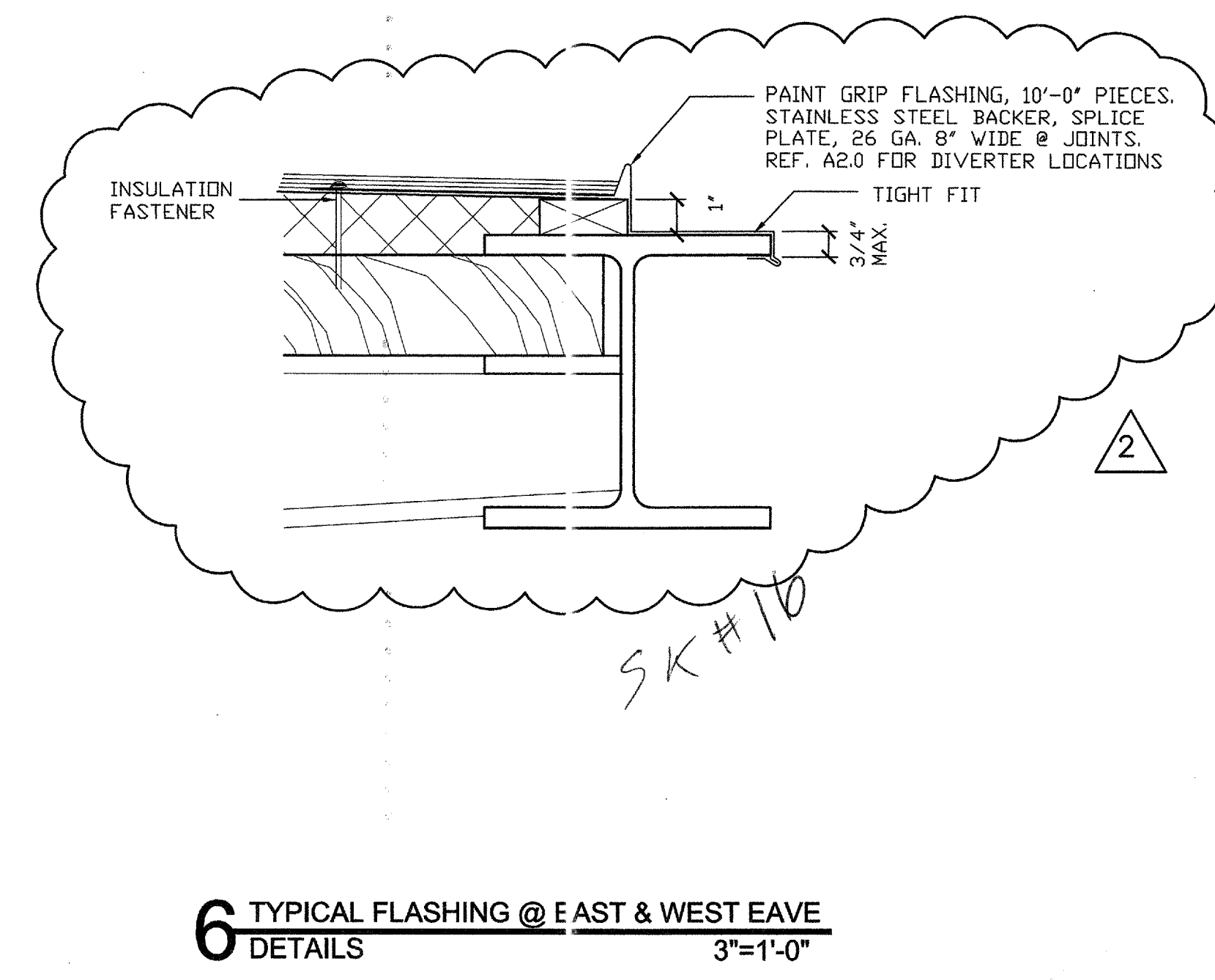
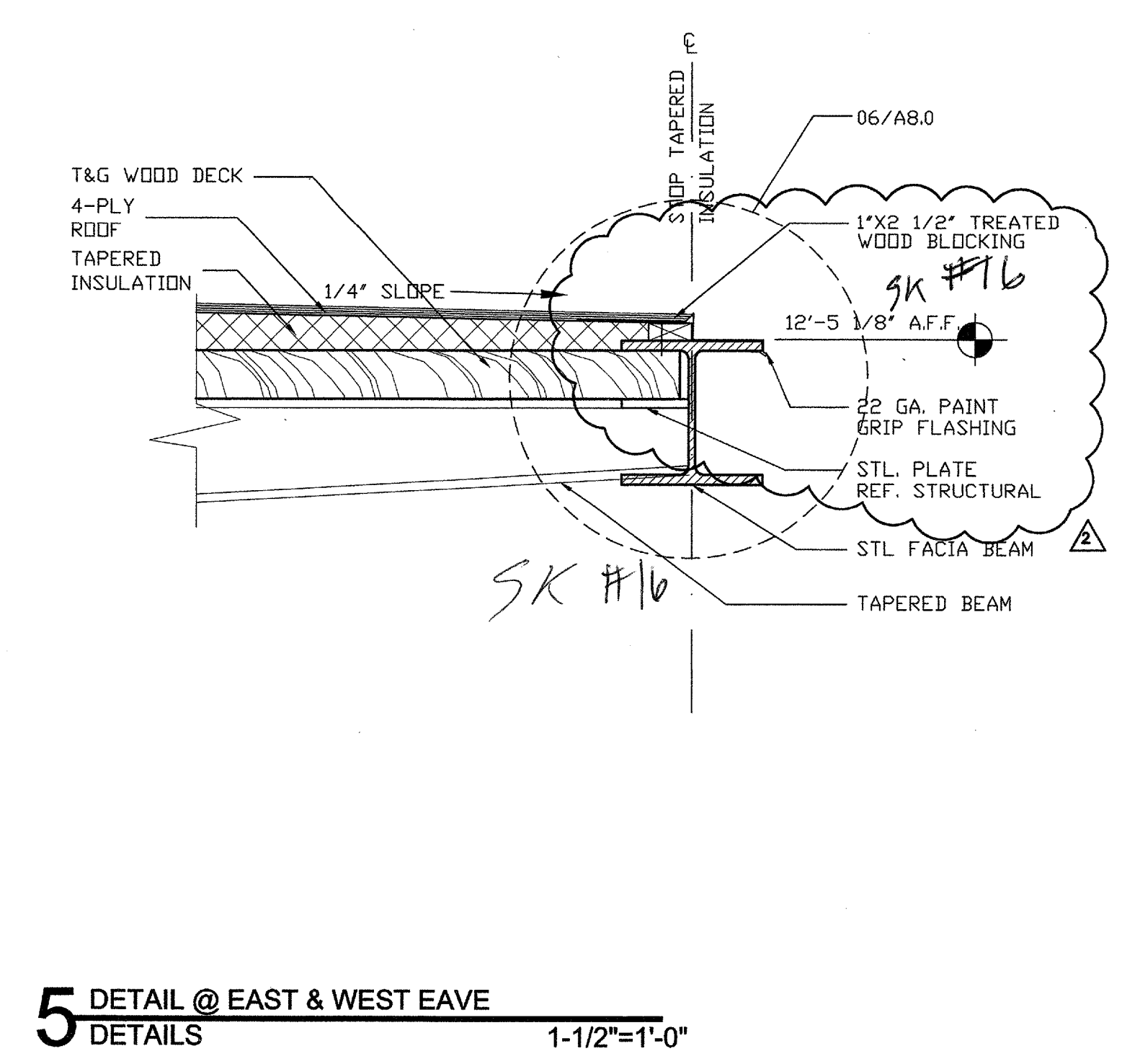


date	revision
06/26/02	1
11/05/02	2
01/23/03	3
01/31/03	4
03/04/03	5



4 COLUMN BASE W/ J-BOX
 DETAILS 3/4"=1'-0"

3 KITCHEN FURR-OUT SECTION DETAIL
 SECTION DETAIL 1-1/2"=1'-0"

2 MEN'S ROOM FURR-OUT SECTION DETAIL
 SECTION DETAIL 1-1/2"=1'-0"

1 SECTION @ STOREFRONT
 SECTION DETAIL 1-1/2"=1'-0"