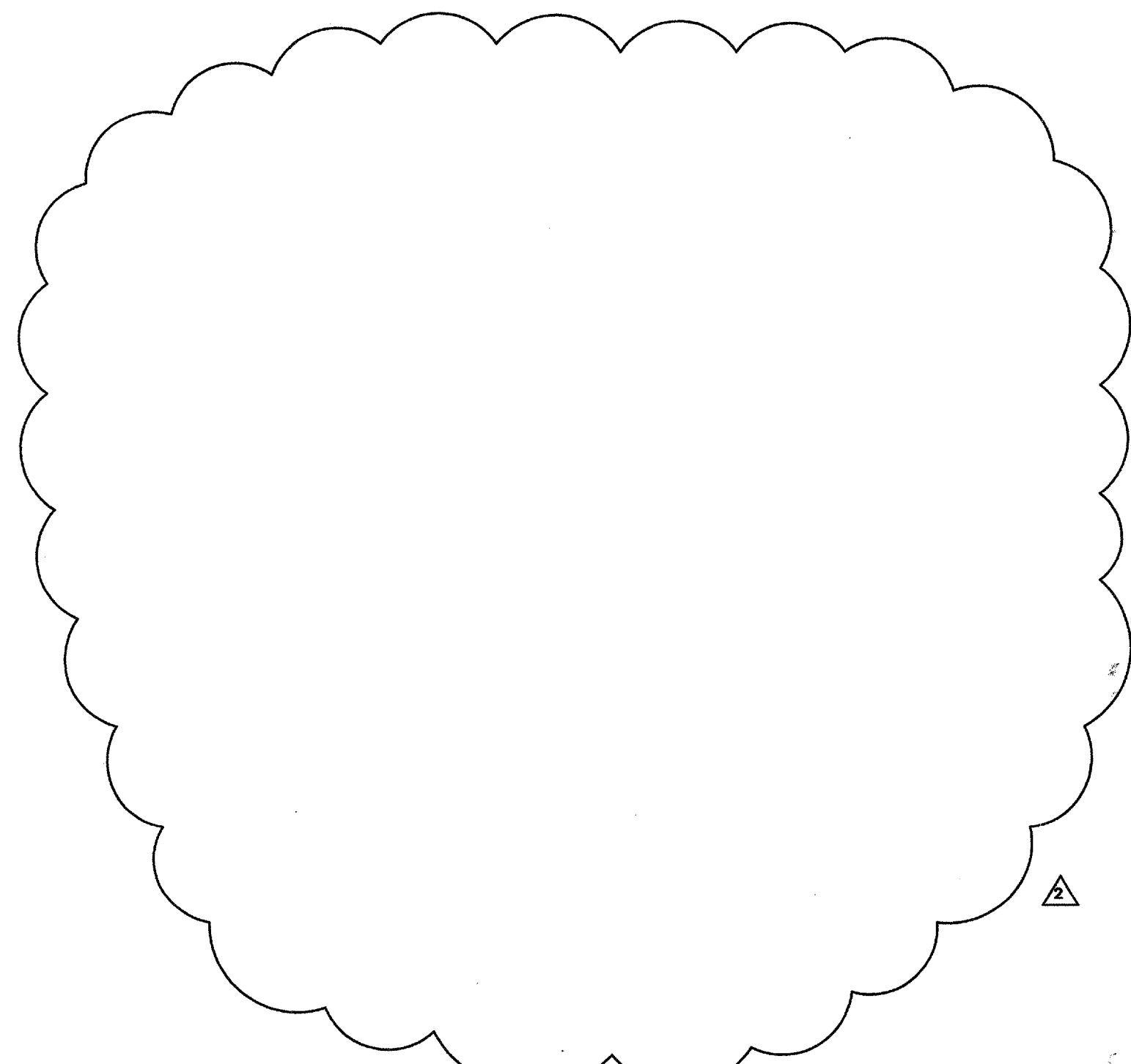
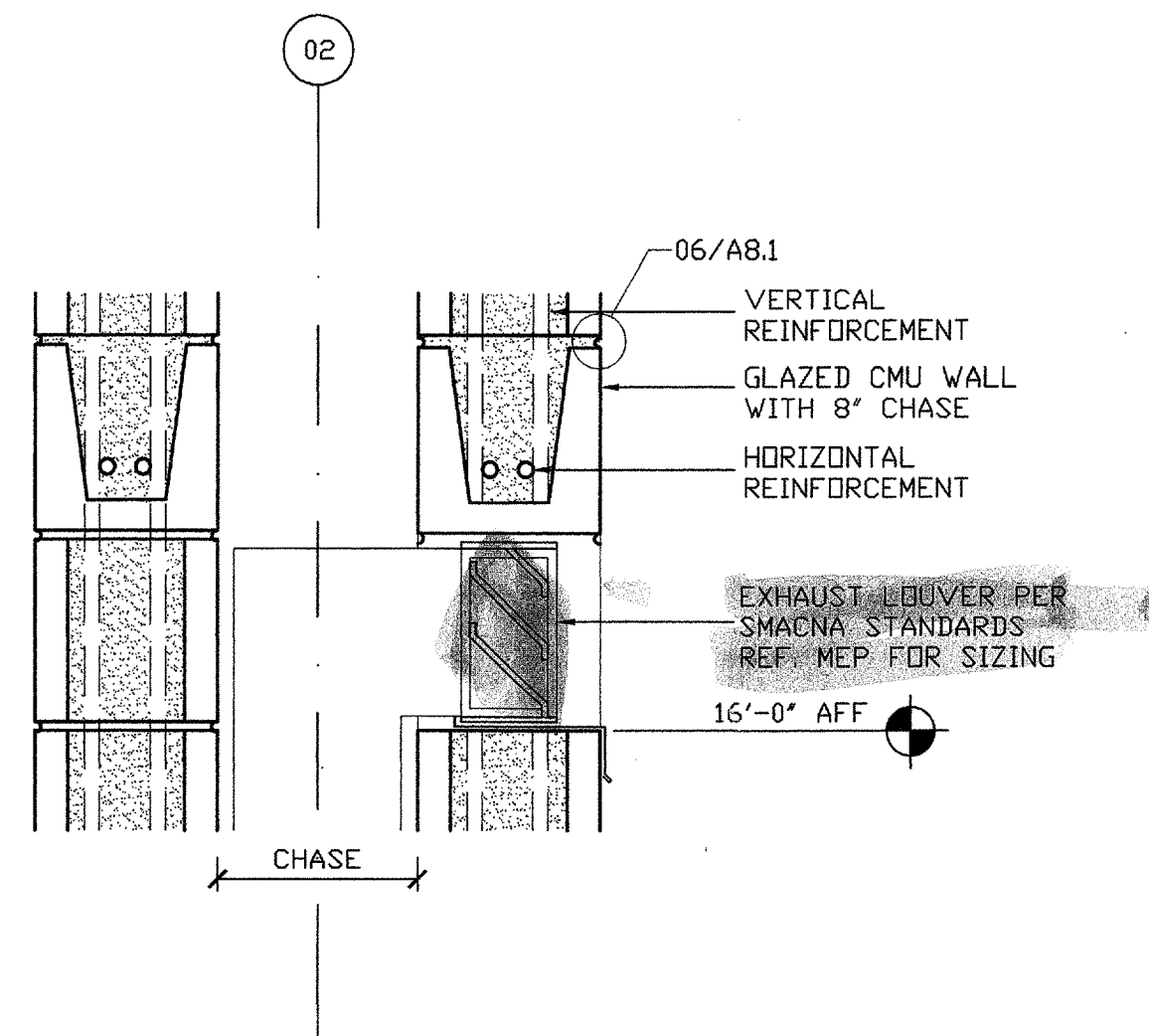


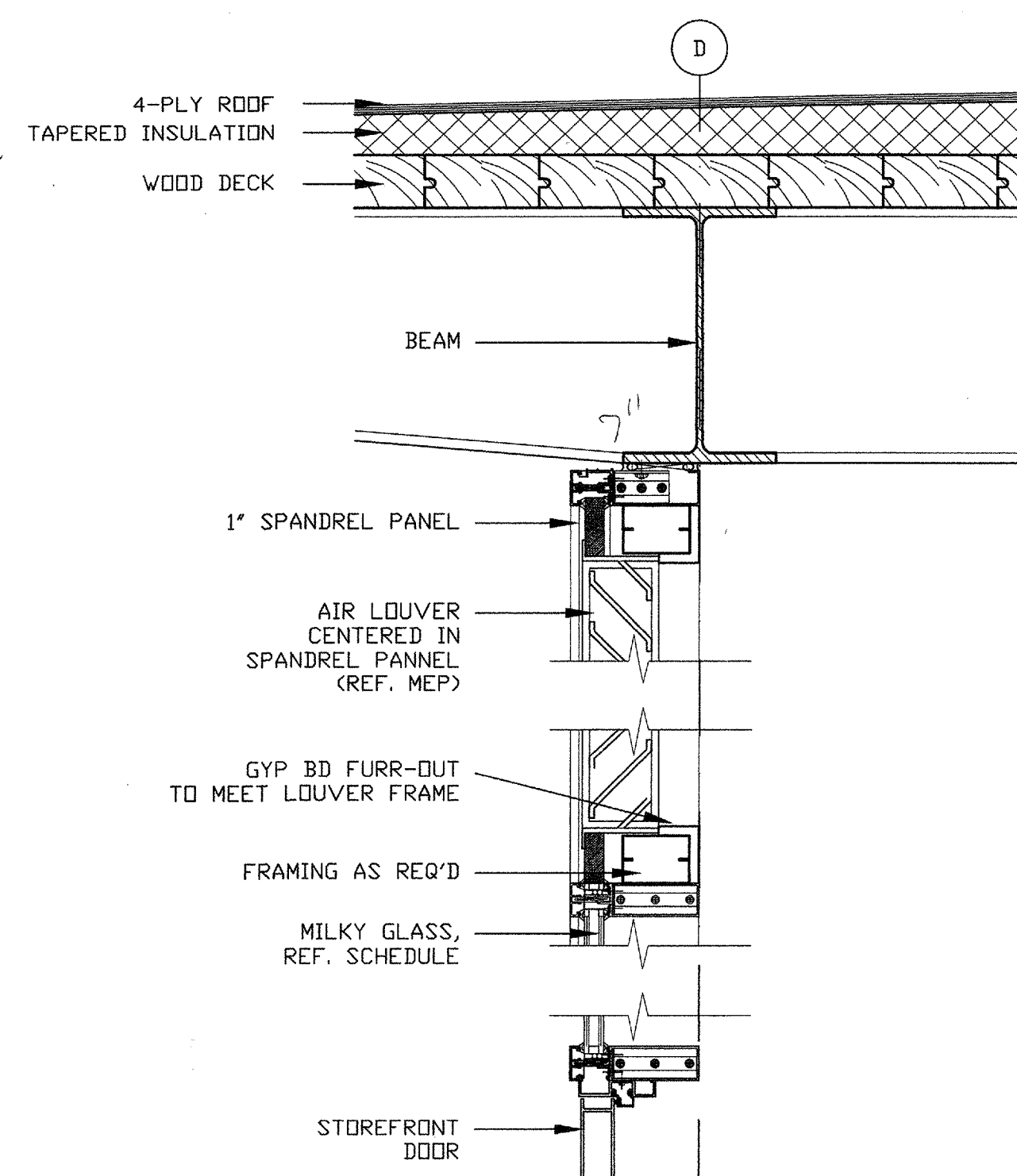
6 CMU JOINT DTL. DETAILS FULL SCALE



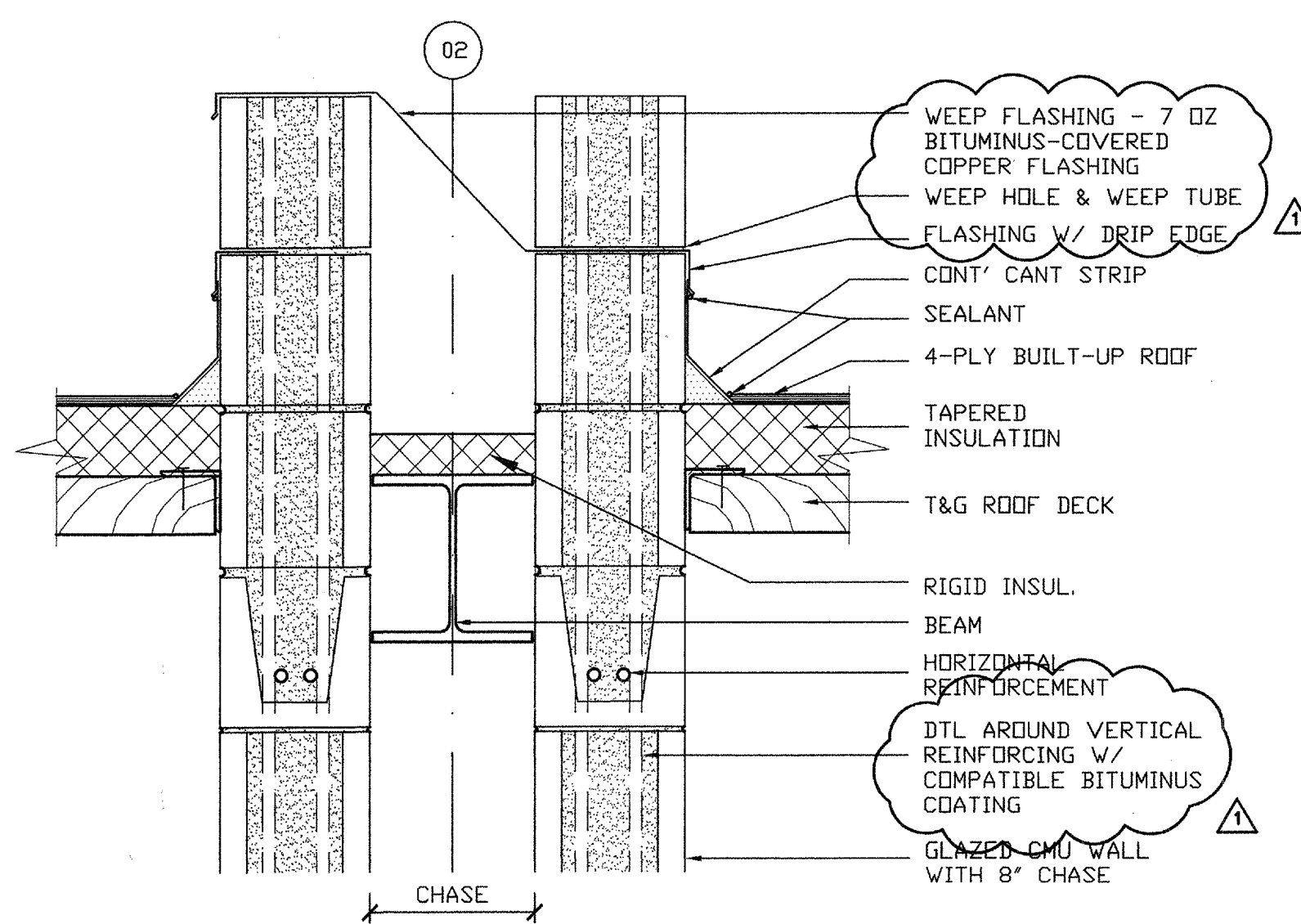
7 EAVE DTL. DETAILS 1-1/2"=1'-0"



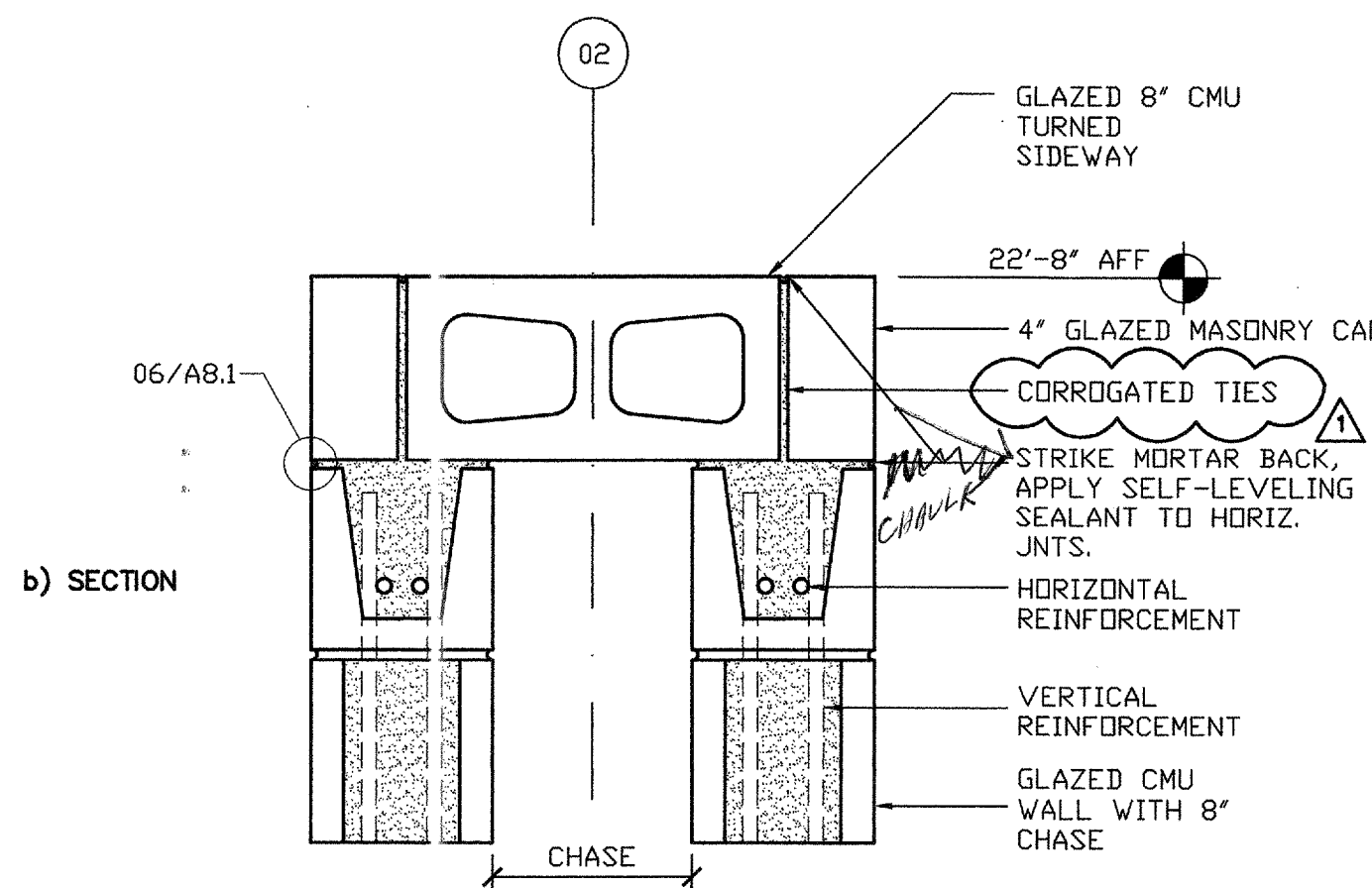
3 CMU WALL LOUVER DETAIL 1-1/2"=1'-0"



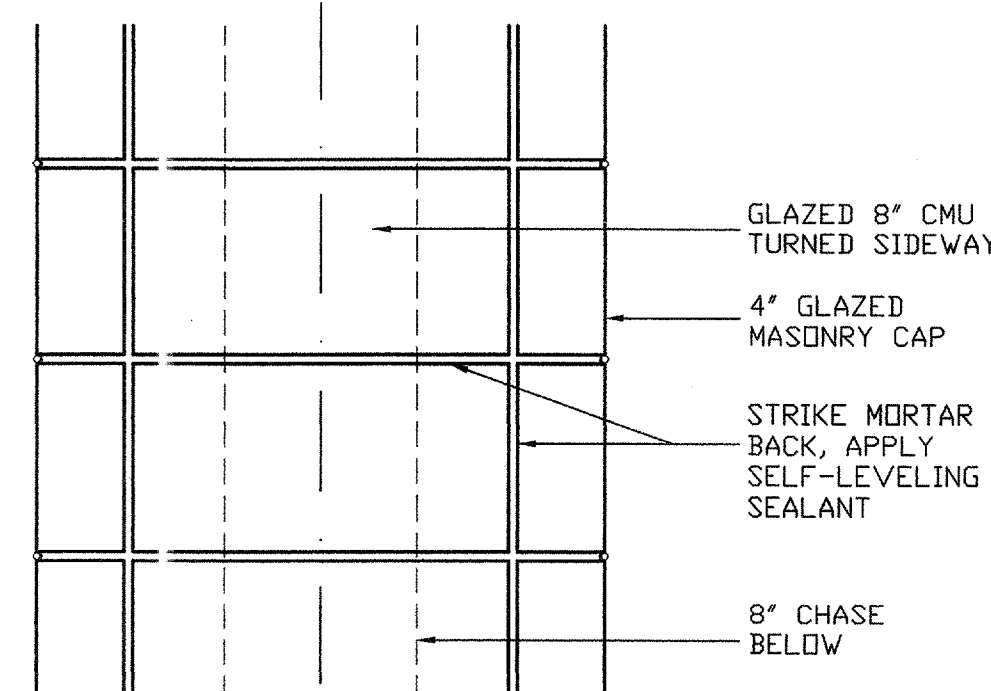
5 SPANDREL DTL. @ LOUVER DETAILS 1-1/2"=1'-0"



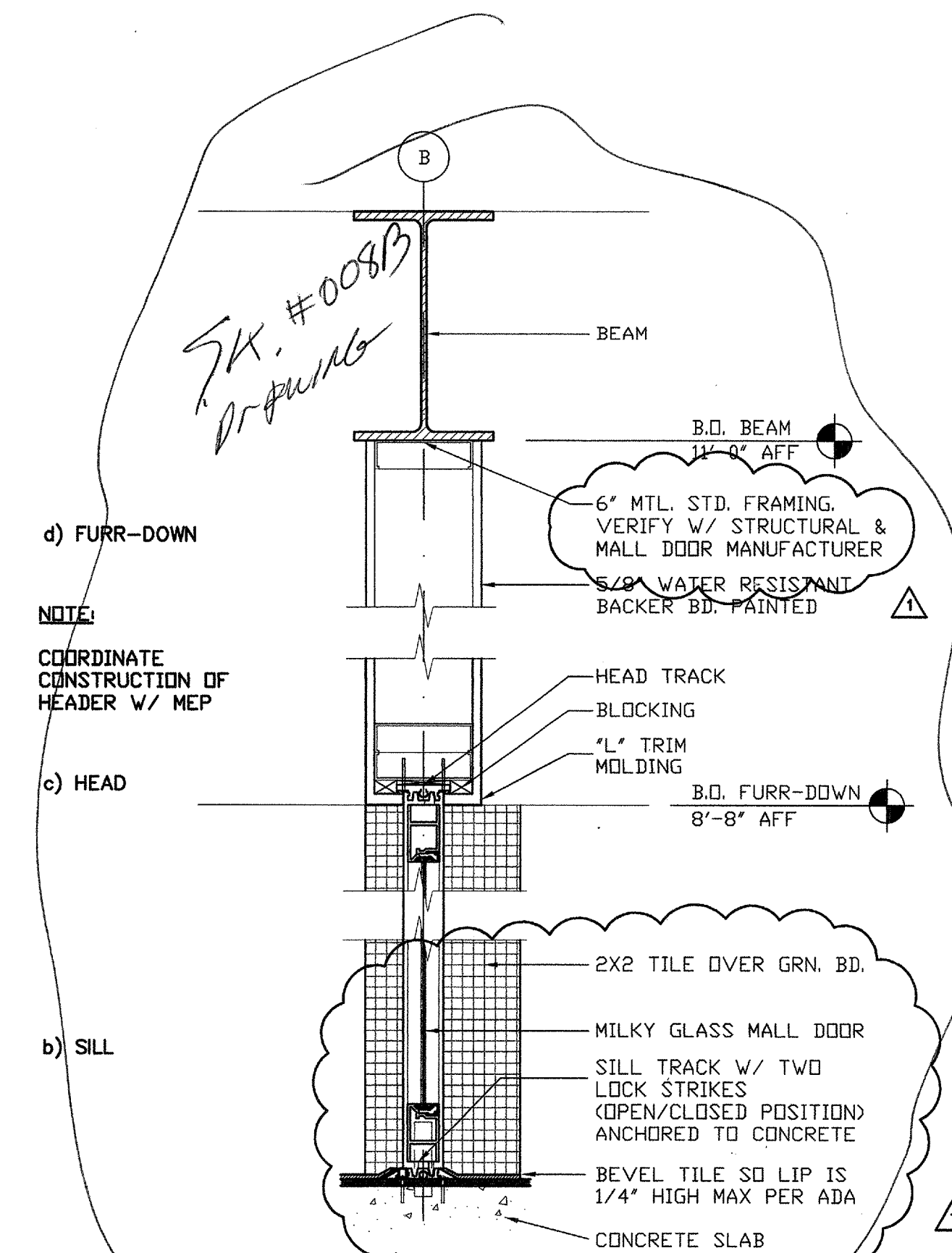
4 CMU WALL @ ROOF DETAIL 1-1/2"=1'-0"



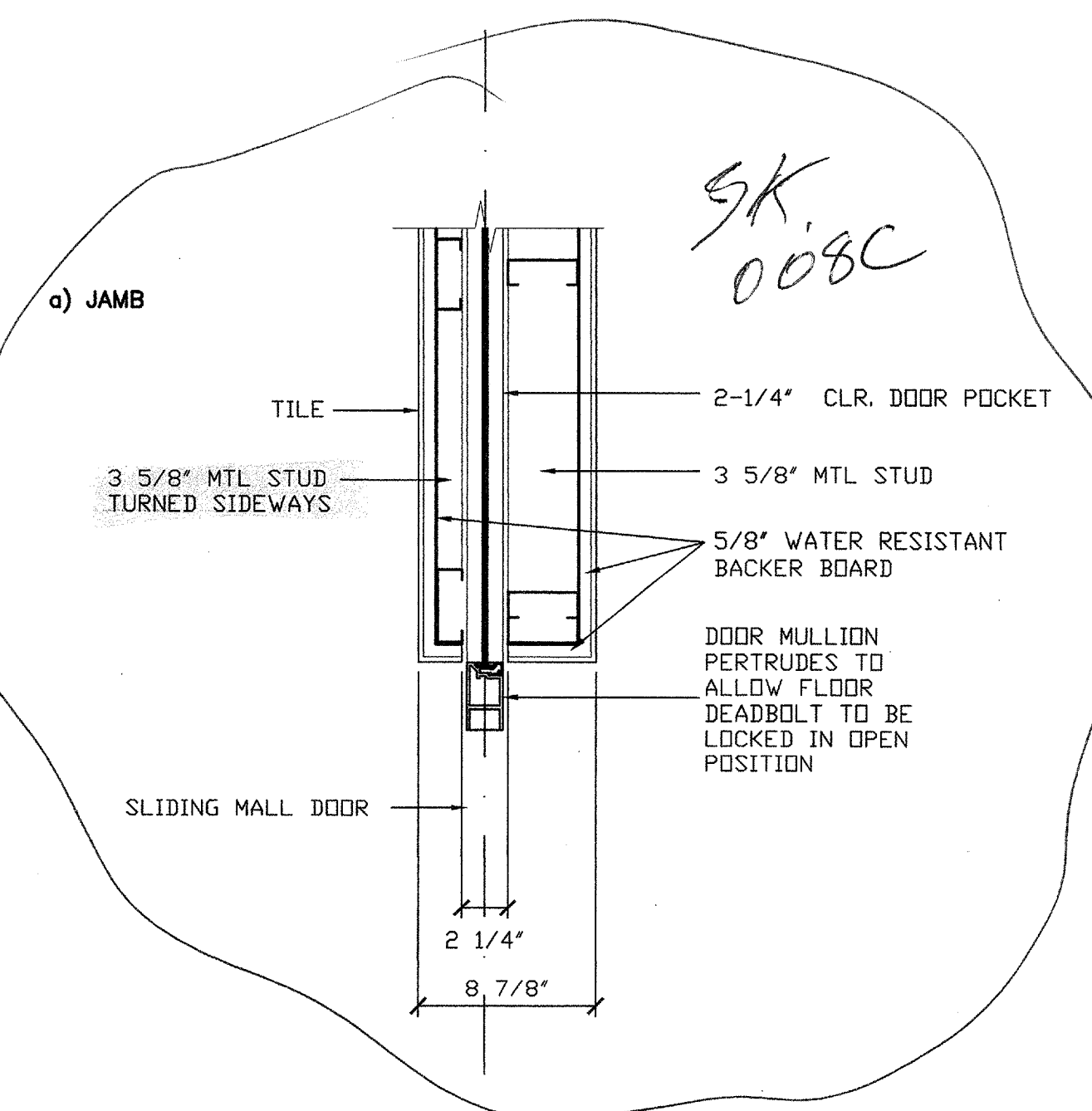
2 CMU WALL CAP DETAIL 1-1/2"=1'-0"



a) PLAN

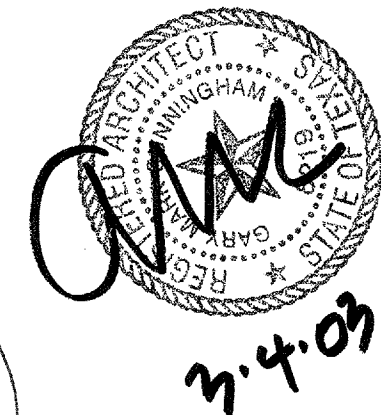


1 SLIDING DOOR @ RESTROOMS DETAILS 1-1/2"=1'-0"



a) JAMB

cunningham architects
 918 Dragon Street
 Dallas, Texas 75207
 V 214.915.0800
 F 214.915.0801



Addison Arts and Events Pavilion
 Addison, Texas
 4970 Addison Circle Drive

issue	date	description
DD	06/26/02	50% CD
CD	11/05/02	100% CD
GO	01/23/03	POST-BID REVISION
GO	03/04/03	REVISION

A8.1
 SECTION DETAILS