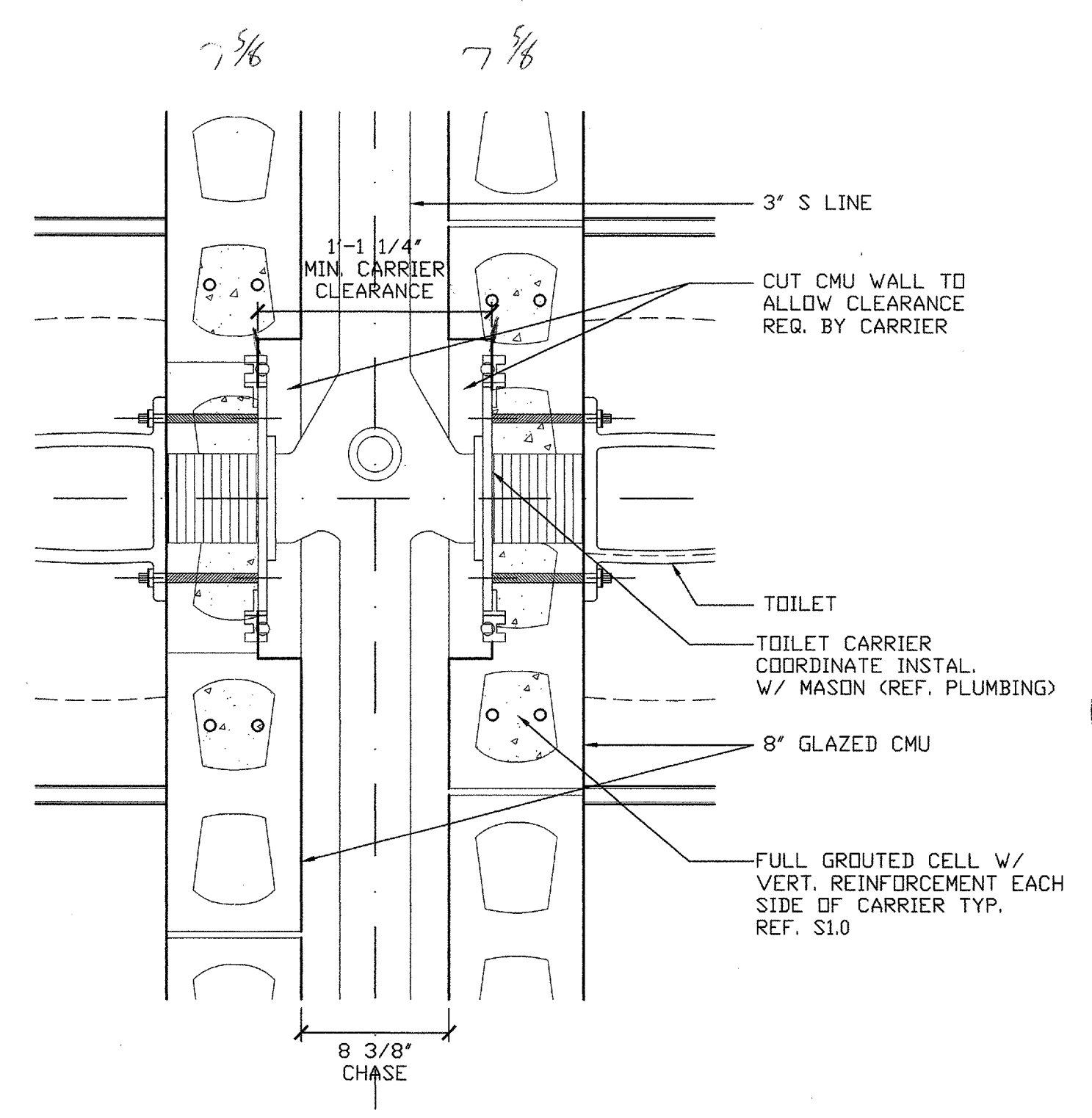
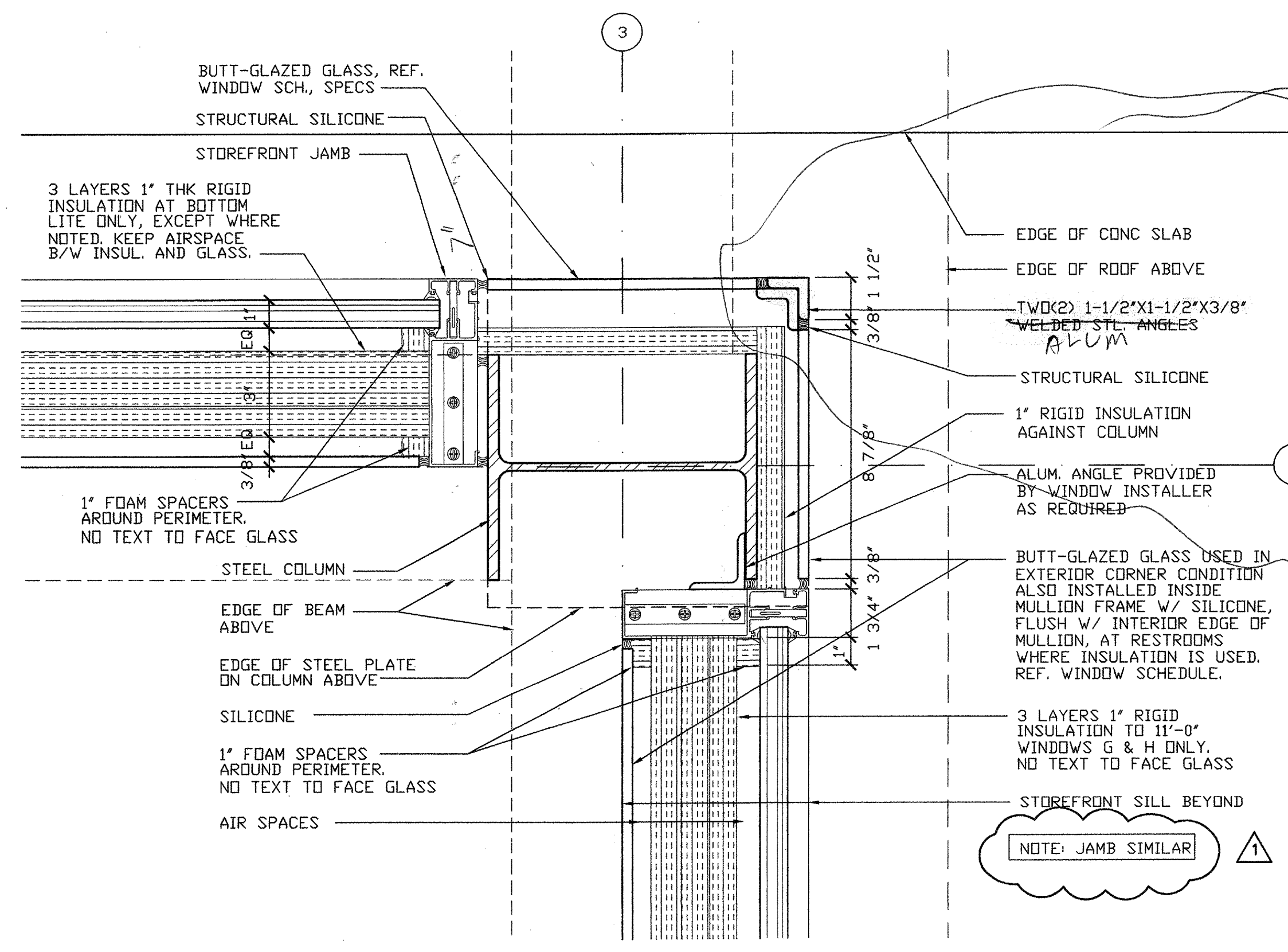


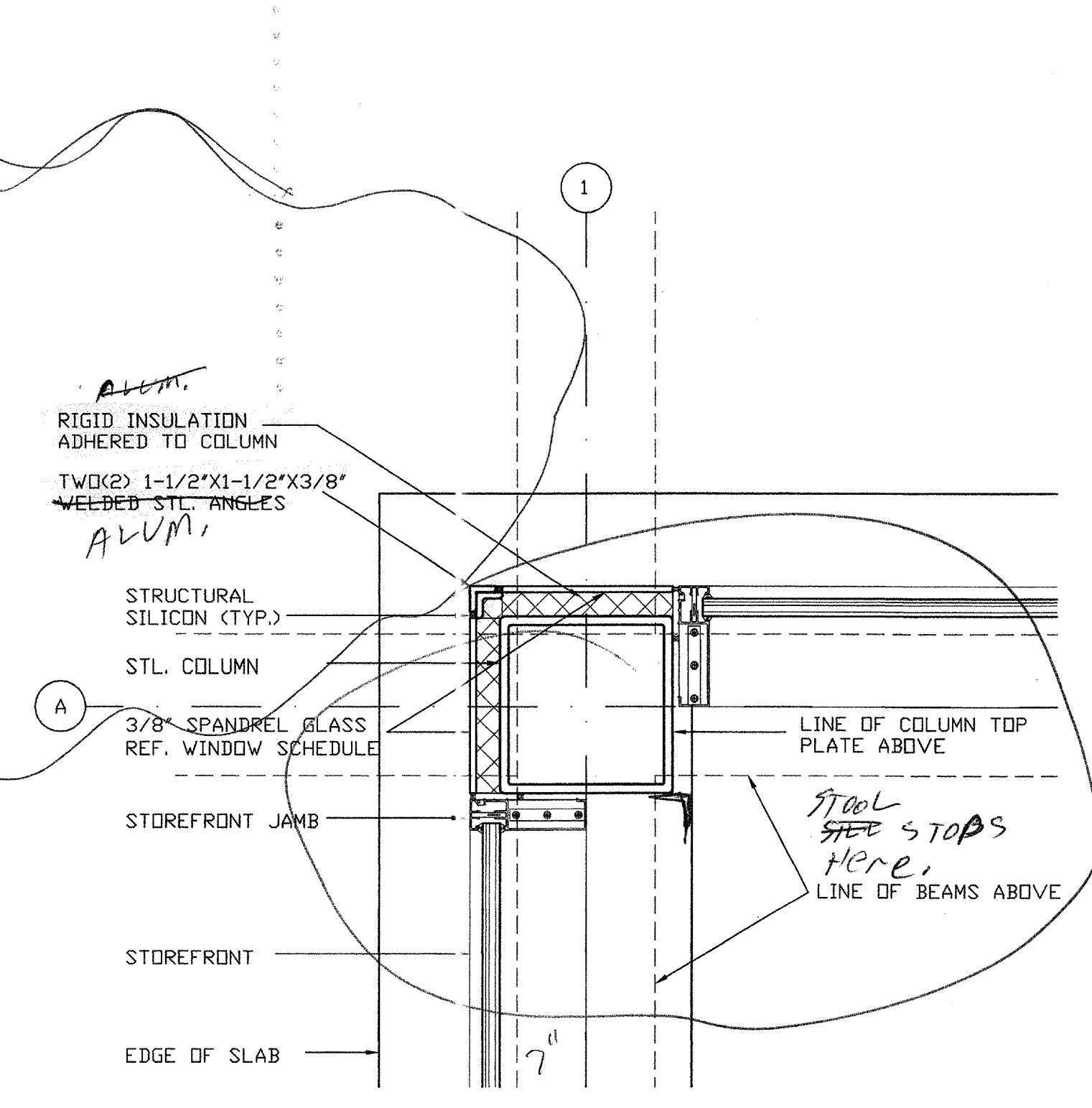
5 SLAB PLAN
 PLAN DETAILS 1/8"=1'-0"



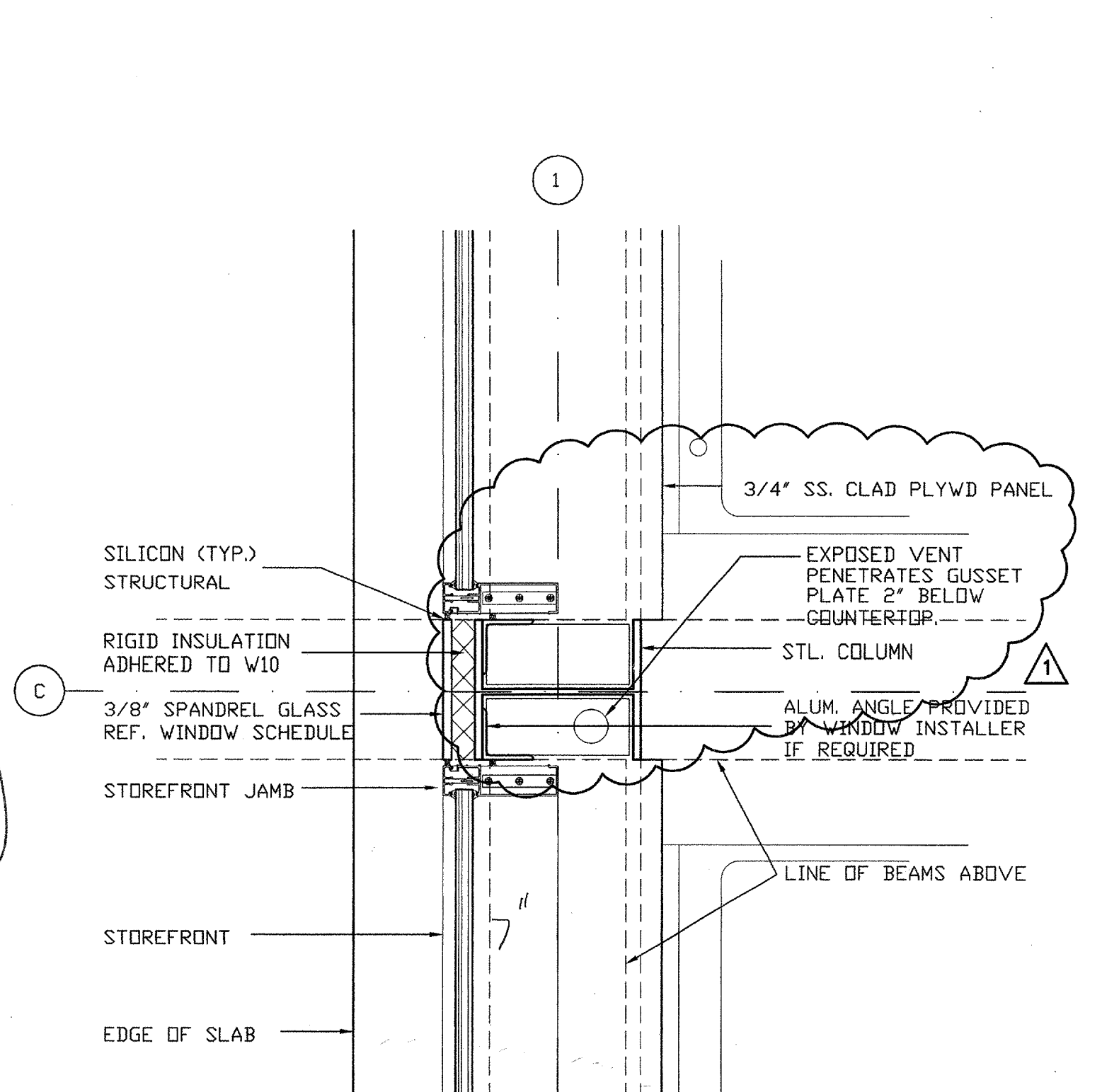
4 CMU CHASE @ CARRIER
 PLAN DETAILS 1-1/2"=1'-0"



3 STEEL COLUMN @ 3A
 PLAN DETAILS 3"=1'-0"



2 STEEL COLUMN @ CL 1A
 PLAN DETAILS 1-1/2"=1'-0"



1 STEEL COLUMN @ CL 1B
 PLAN DETAILS 1-1/2"=1'-0"

date	revision
08/26/02	03/04/03
11/05/02	
01/23/03	

issue CD 50% CD 100% CD POST-BID