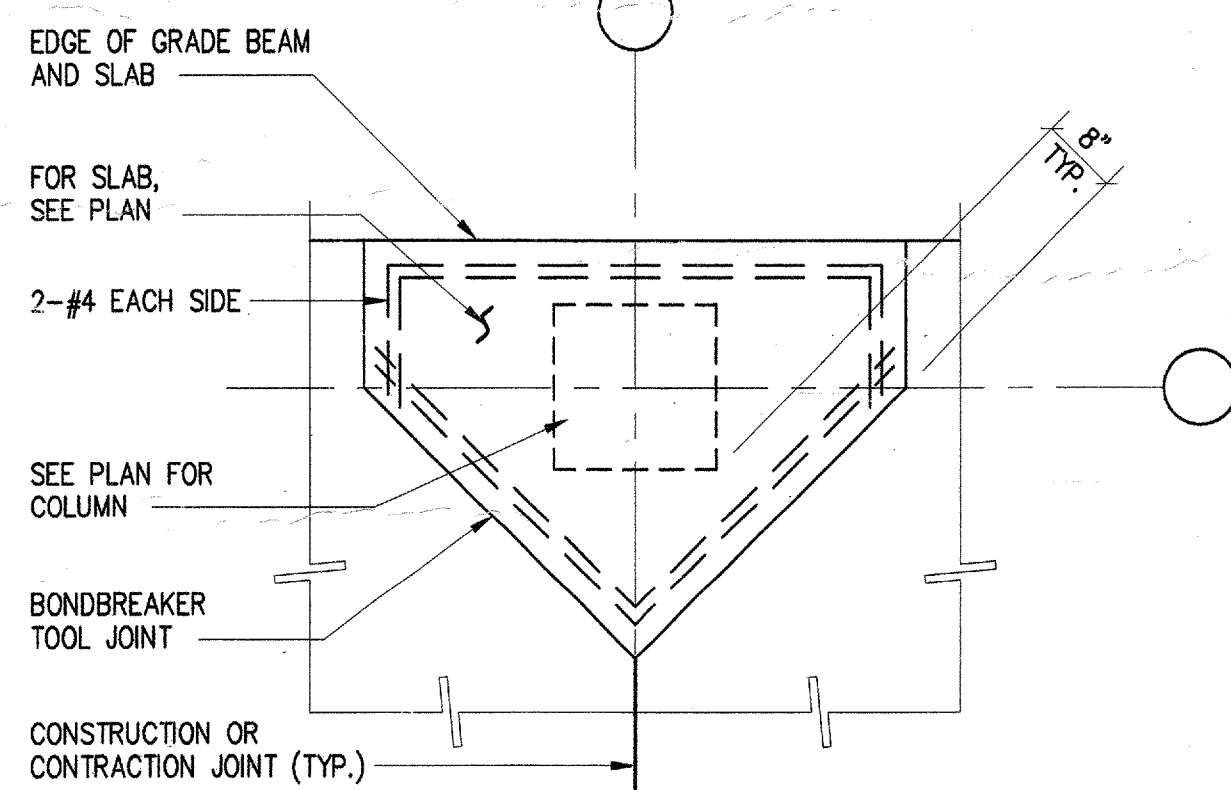
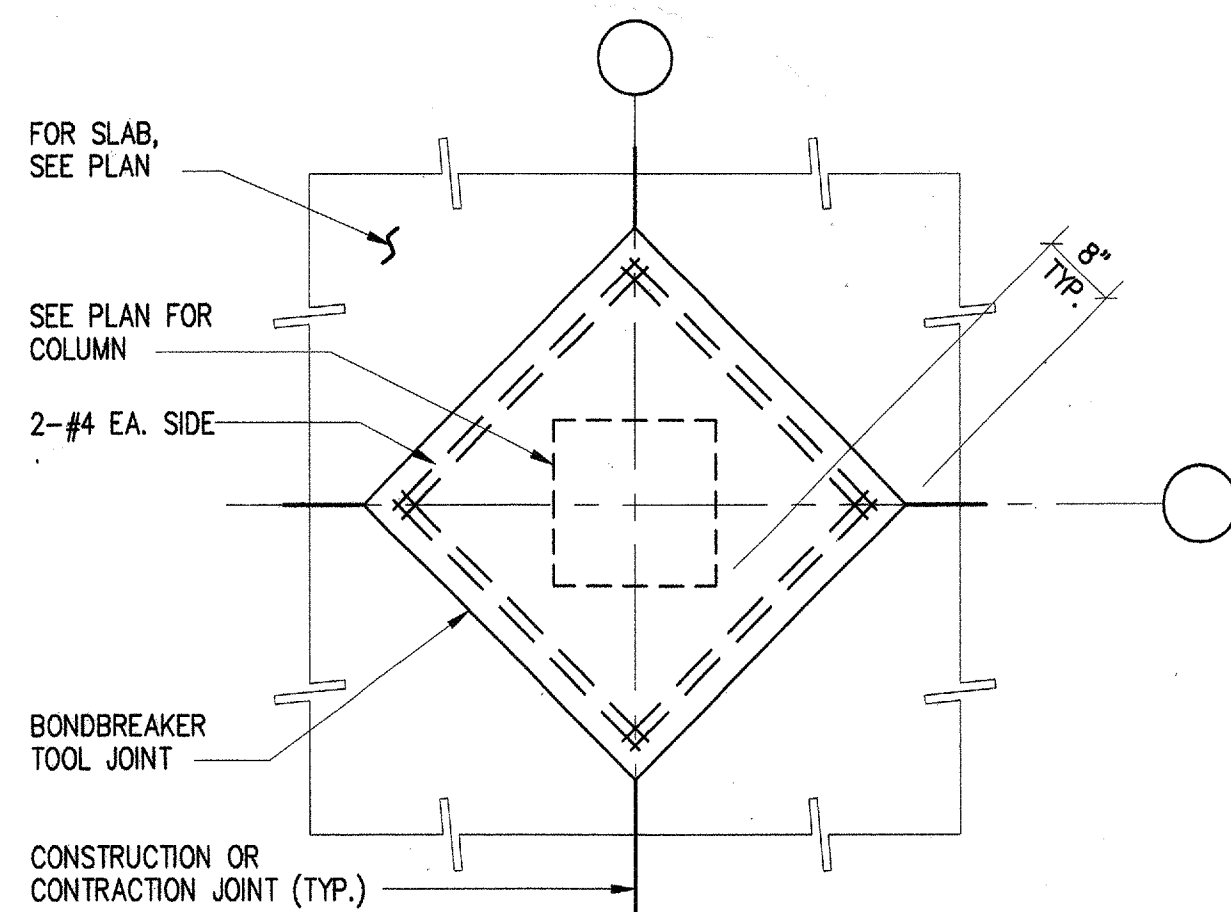


PIER SCHEDULE			
DIAMETER (IN) MARK	REINFORCING VERTICALS	TIES	REMARKS
24H	6-#7	#3 AT 14"	
24T	6-#6	#3 AT 12"	

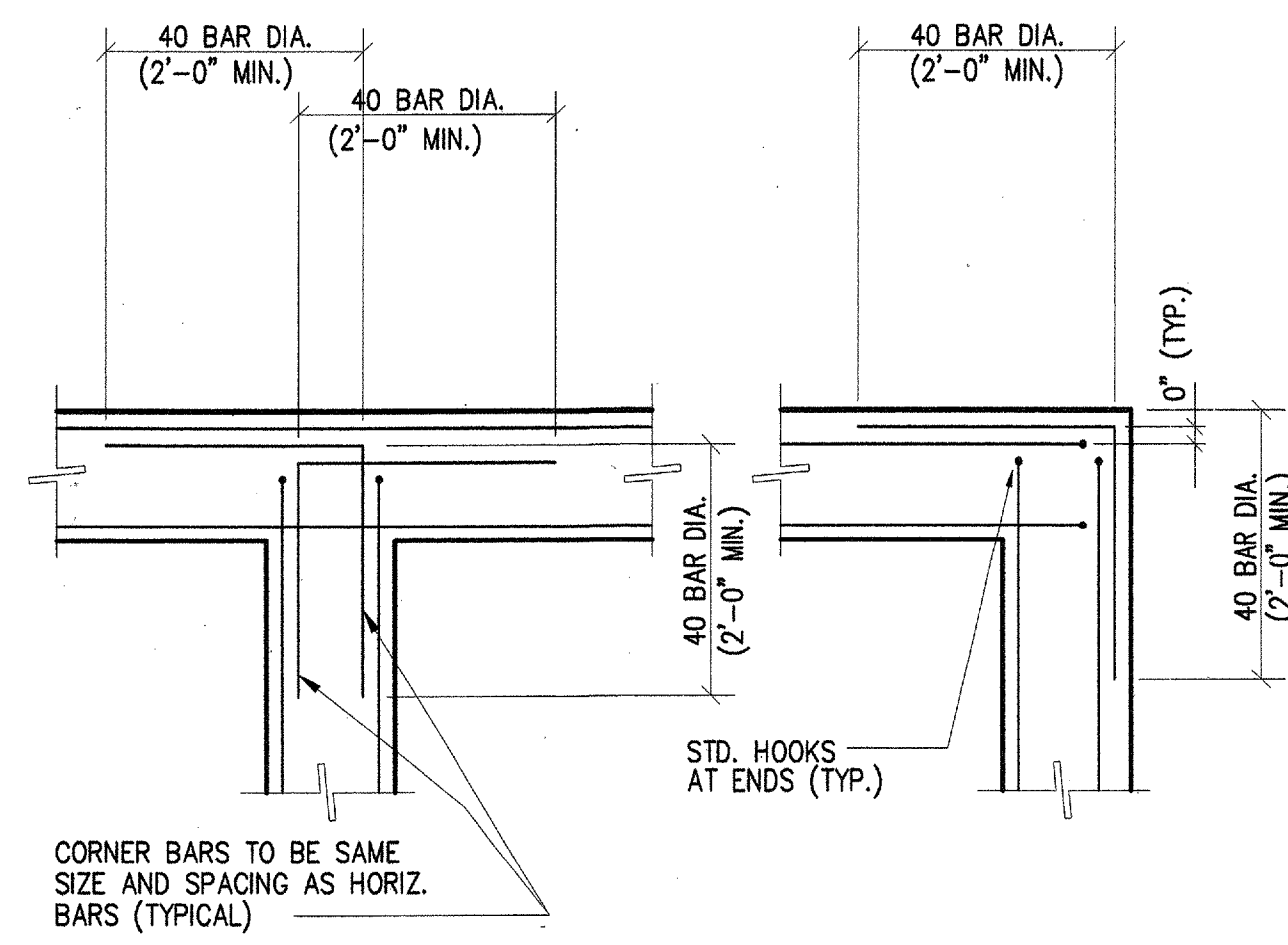
**01 TYPICAL DETAIL**  
STRAIGHT SHAFT PIER



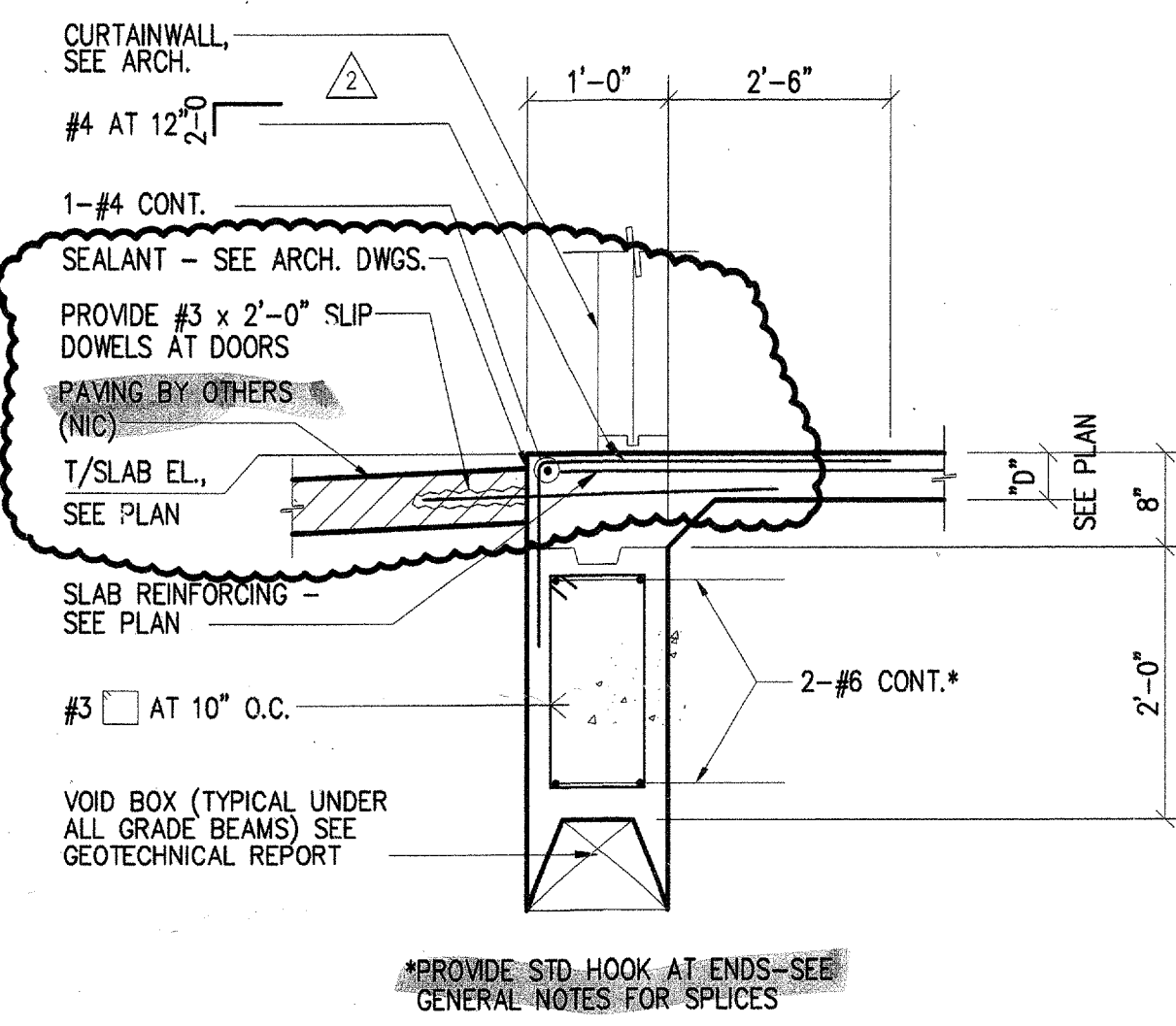
**02 TYPICAL DETAIL**  
SLAB-ON-GRADE LEAVEOUT AT EXTERIOR COLUMN



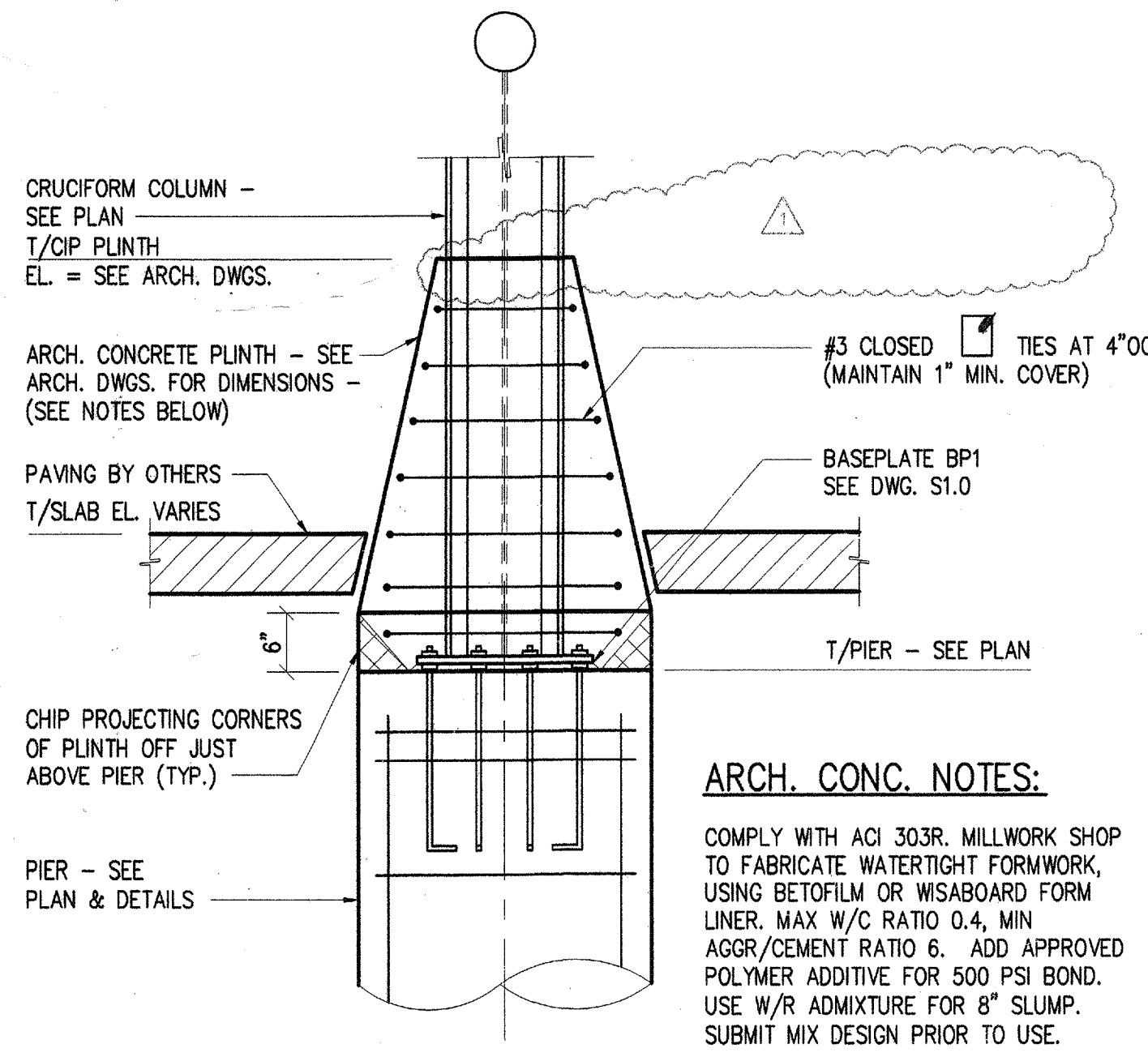
**03 TYPICAL DETAIL**  
SLAB-ON-GRADE LEAVEOUT AT INTERIOR COLUMN



**04 TYPICAL DETAIL**  
ADDITIONAL CORNER BARS AT GRADE BEAMS AND WALLS

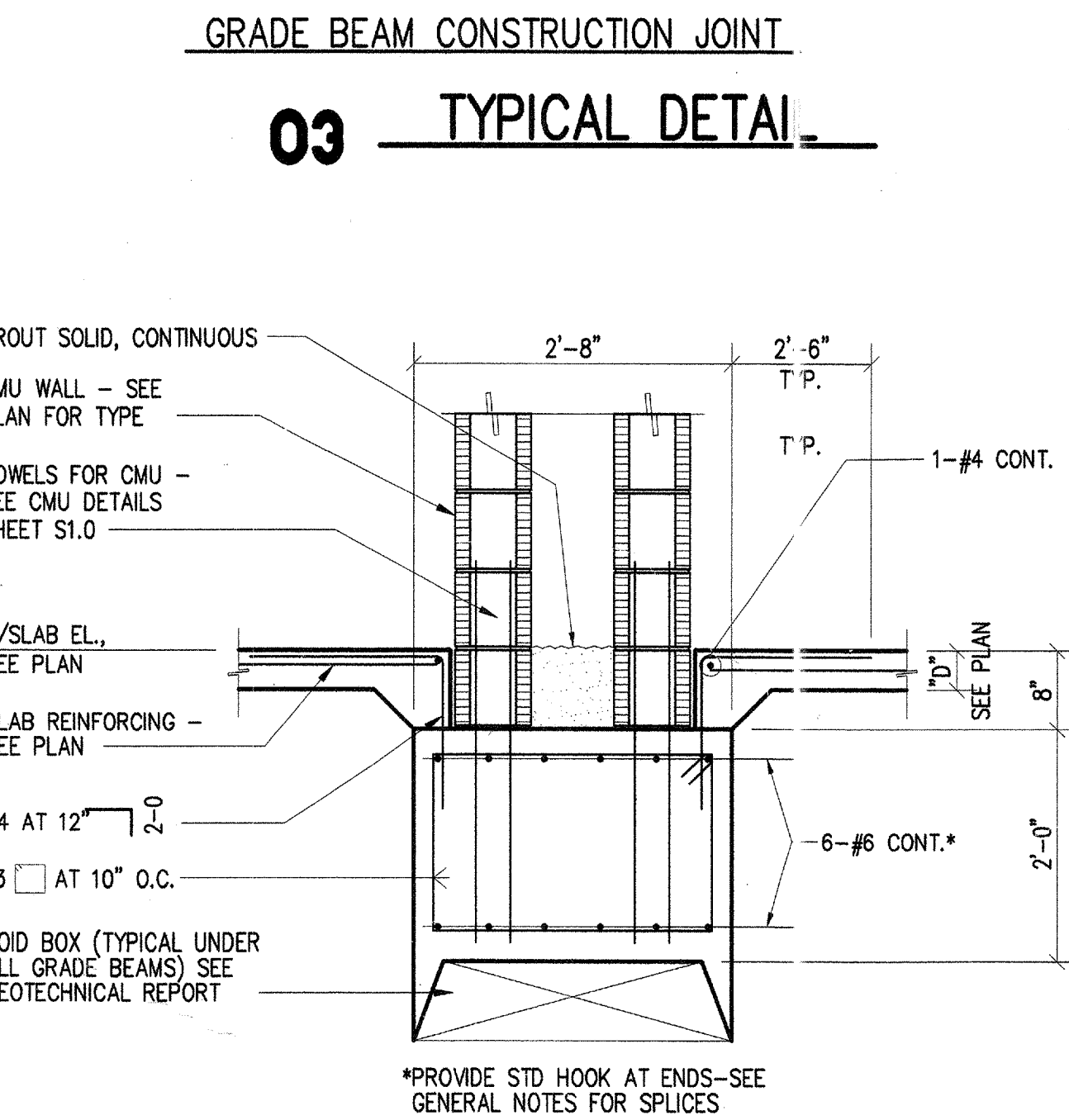


**05 TYPICAL DETAIL**  
INTERIOR GRADE BEAM WITH CMU WALL

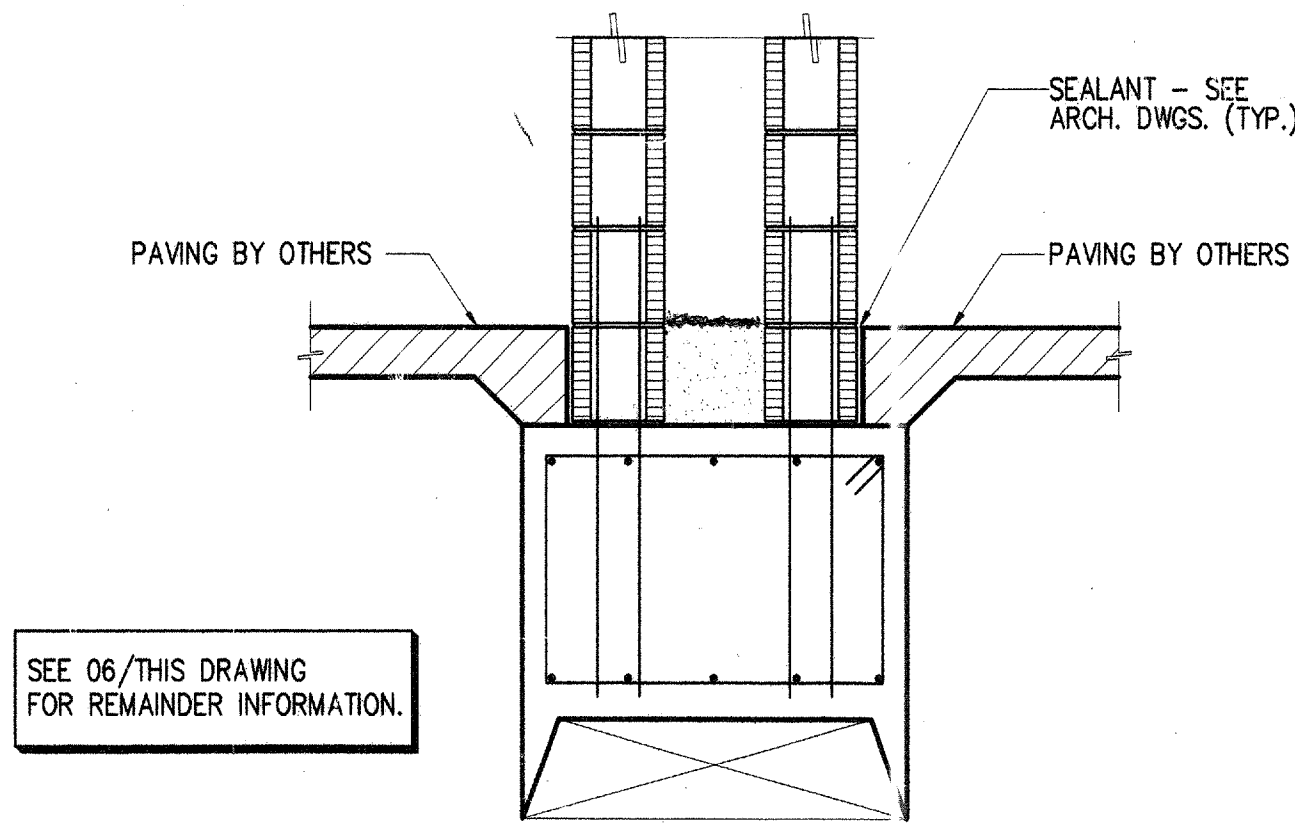


**06 SECTION**  
SCALE: NONE

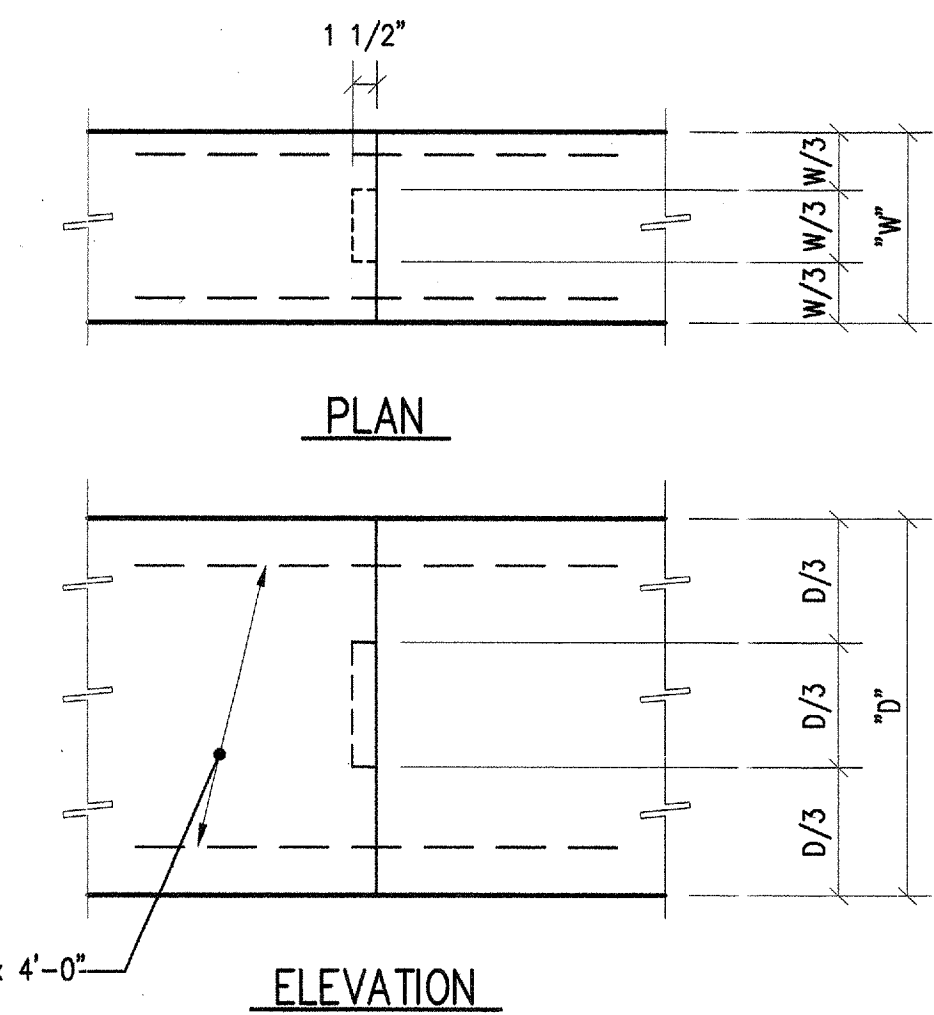
**ARCH. CONC. NOTES:**  
COMPLY WITH ACI 303R. MILLWORK SHOP TO FABRICATE WATERTIGHT FORMWORK, USING BETOFILM OR WISABOARD FORM LINER. MAX W/C RATIO 0.4, MIN AGR/CEMENT RATIO 6. ADD APPROVED POLYMER ADDITIVE FOR 500 PSI BOND. USE W/R ADMIXTURE FOR 8" SLUMP. SUBMIT MIX DESIGN PRIOR TO USE.



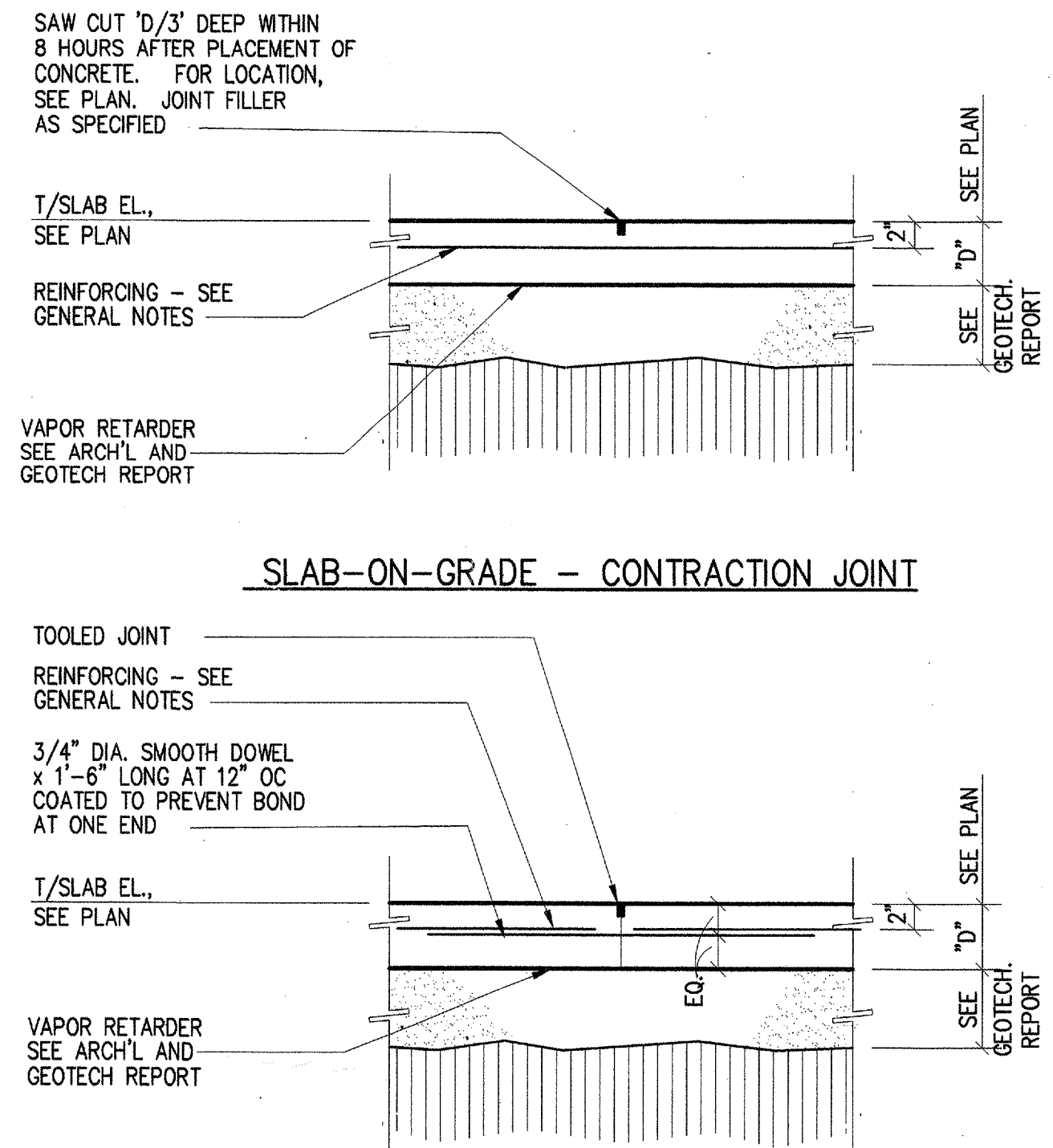
**07 TYPICAL DETAIL**  
GRADE BEAM CONSTRUCTION JOINT



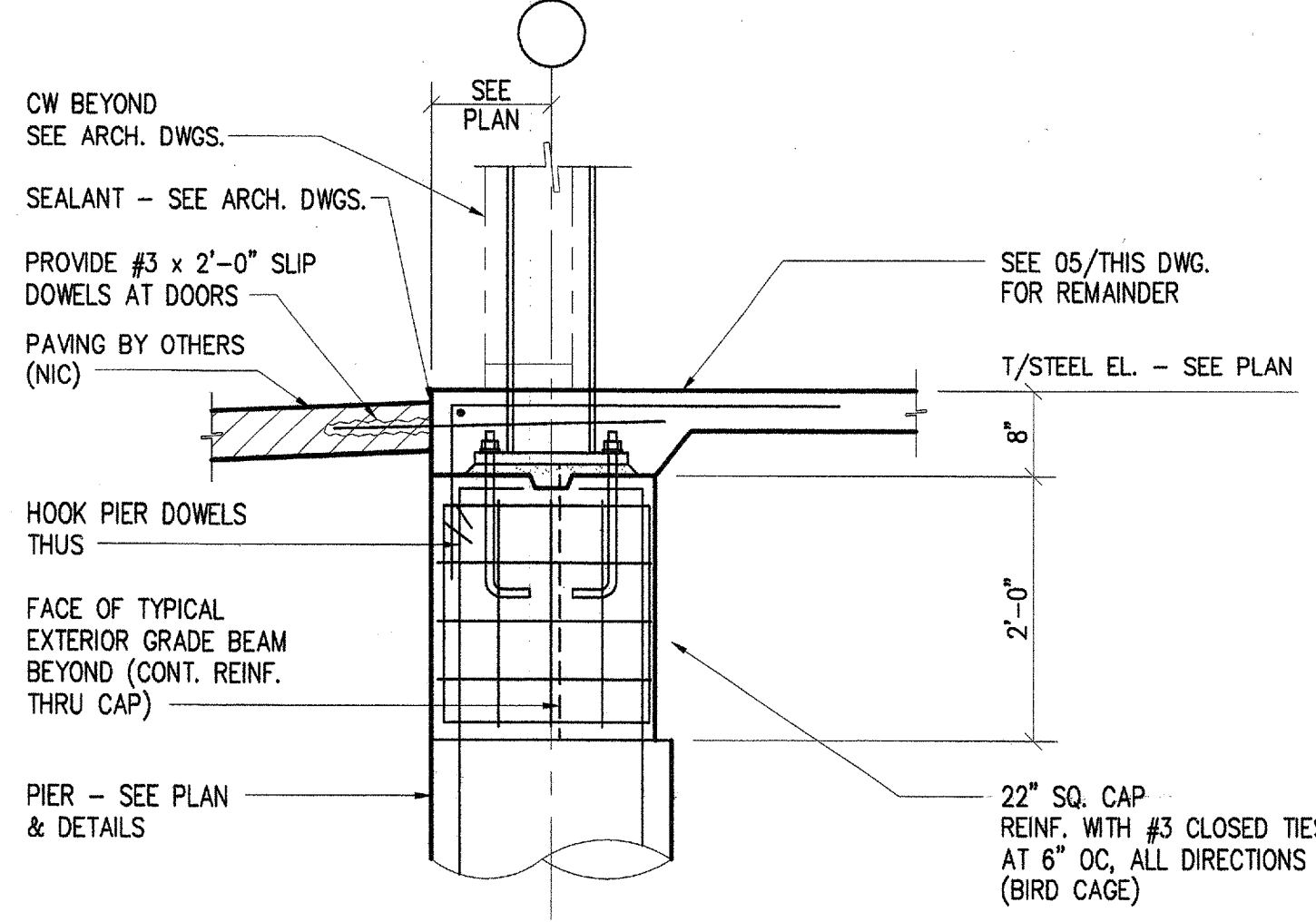
**08 TYPICAL DETAIL**  
TRENCH DRAIN



**09 TYPICAL DETAIL**  
SLAB-ON-GRADE - CONTRACTION JOINT



**10 TYPICAL DETAIL**  
SLAB-ON-GRADE - CONSTRUCTION JOINT



**11 TYPICAL DETAIL**  
SLAB-ON-GRADE - CONSTRUCTION JOINT

