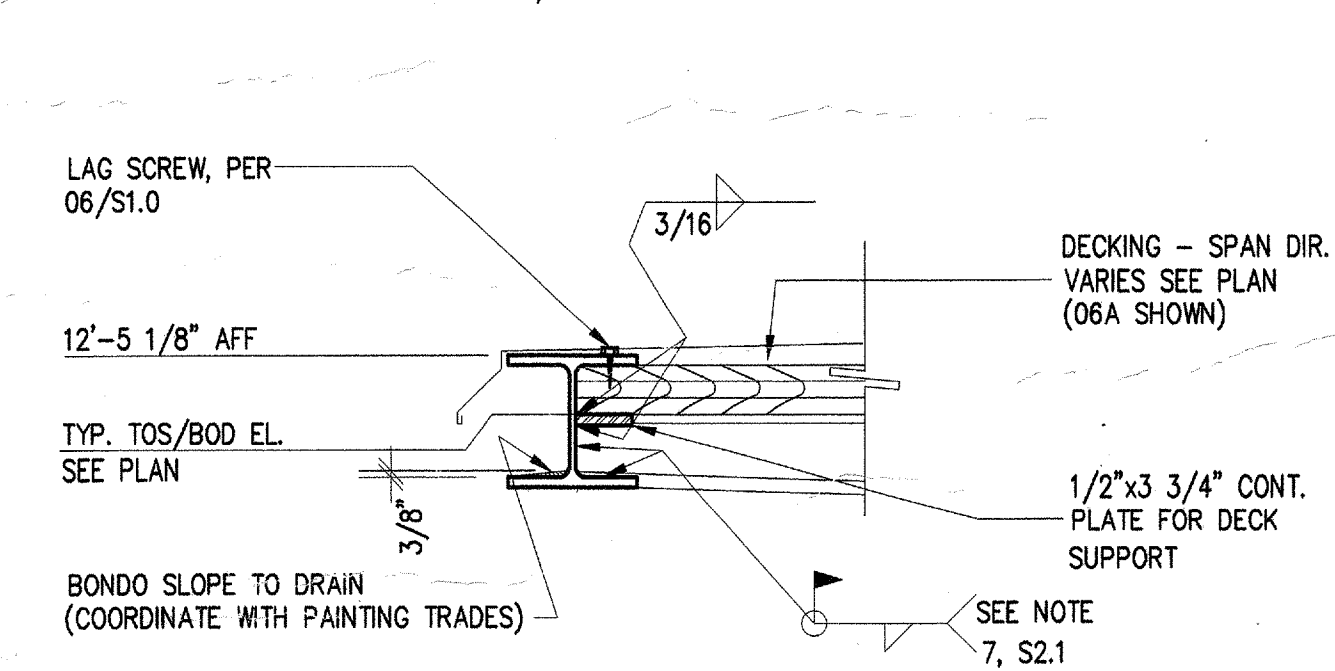
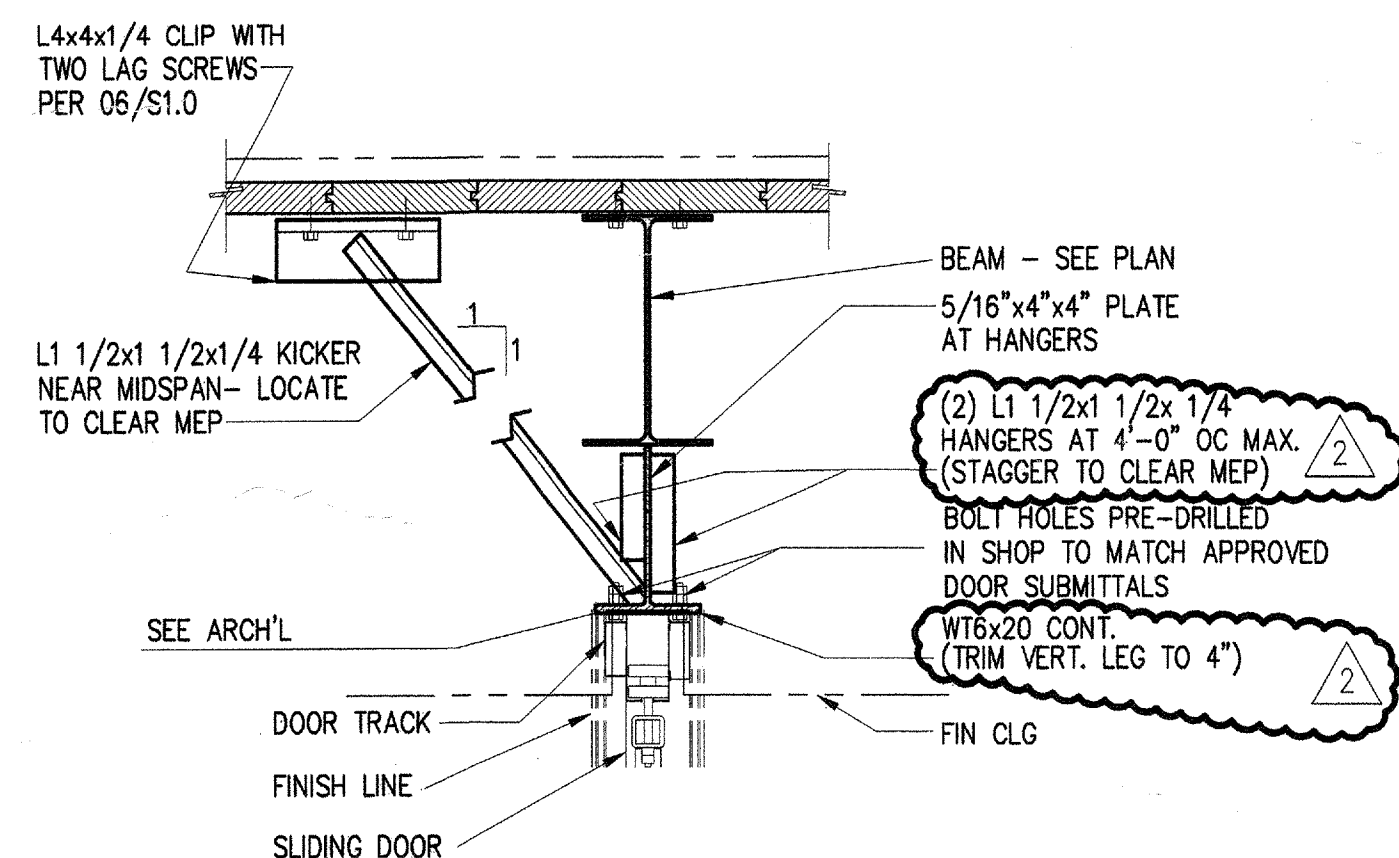


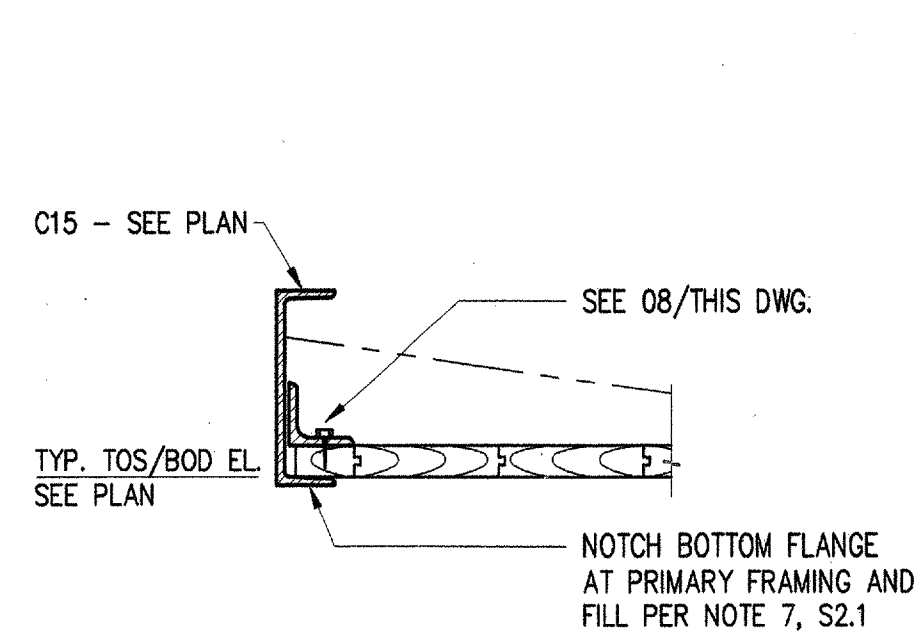
01 CUSTOM TAPERED WIDE FLANGE ELEVATIONS
SCALE: 1/2" = 1'-0"



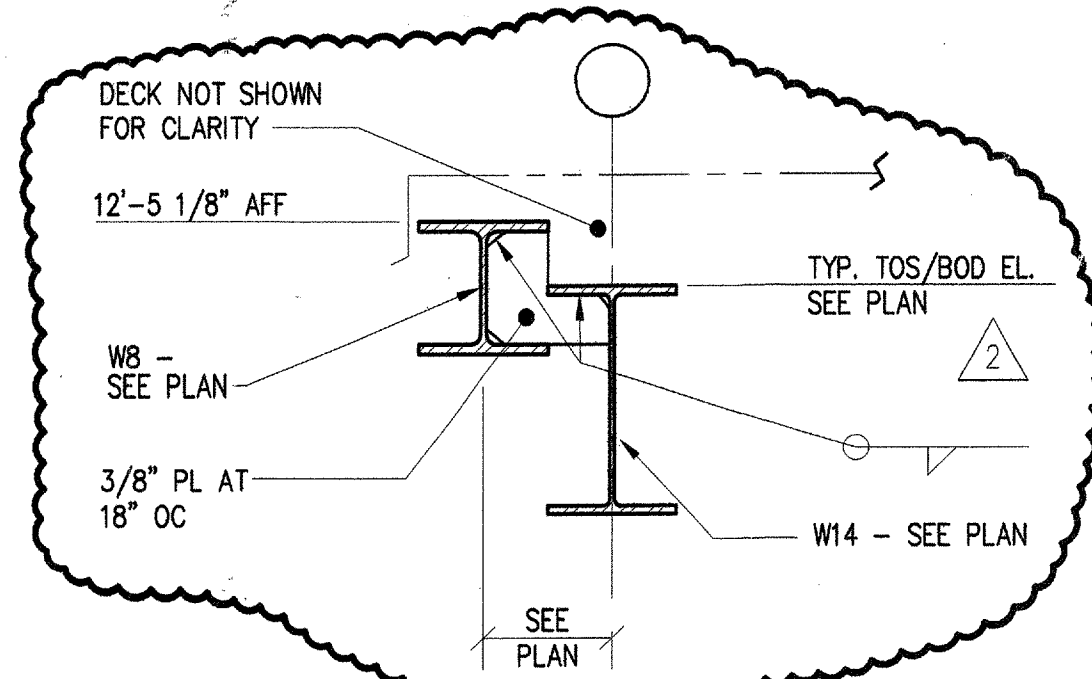
06/06A TYPICAL SECTION AT EAVE
SCALE: 1" = 1'-0"



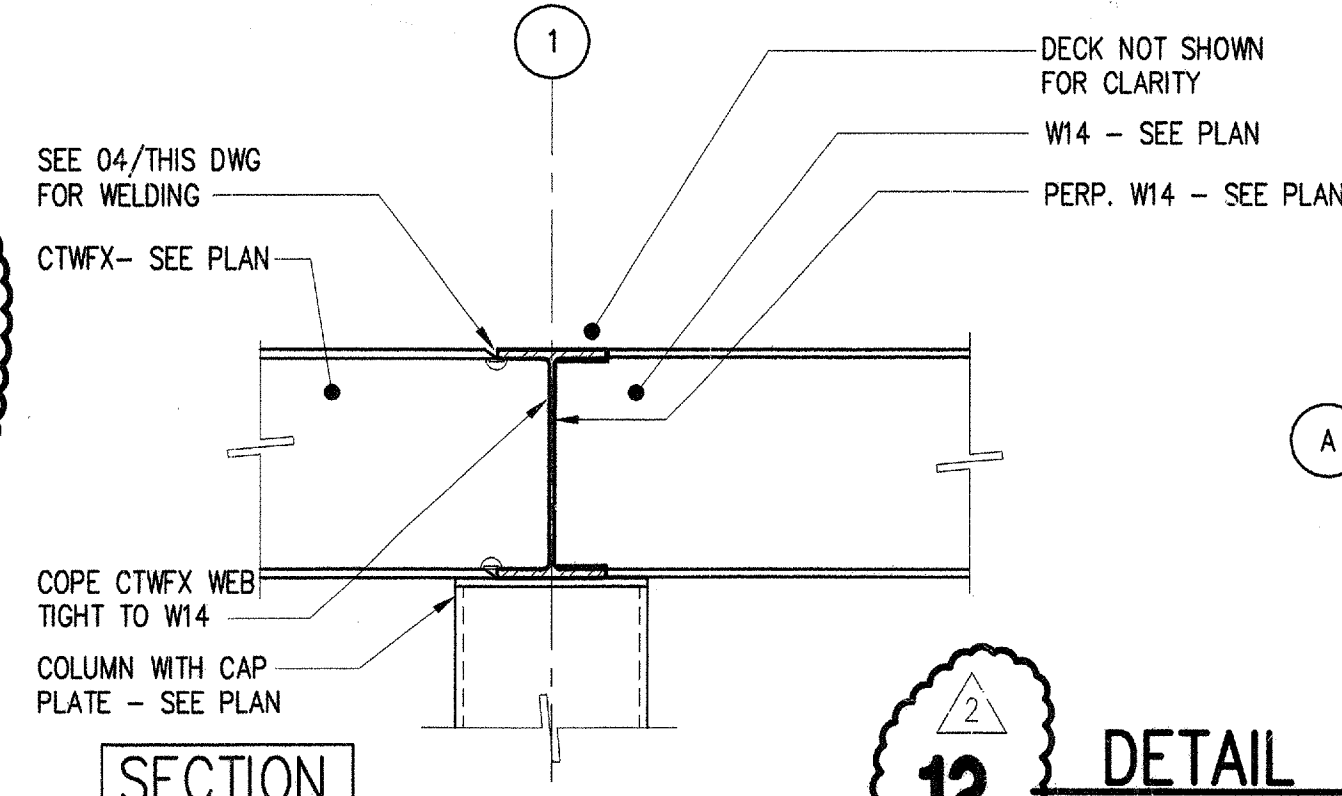
07 TYPICAL SECTION AT SLIDING DOOR
SCALE: 1" = 1'-0"



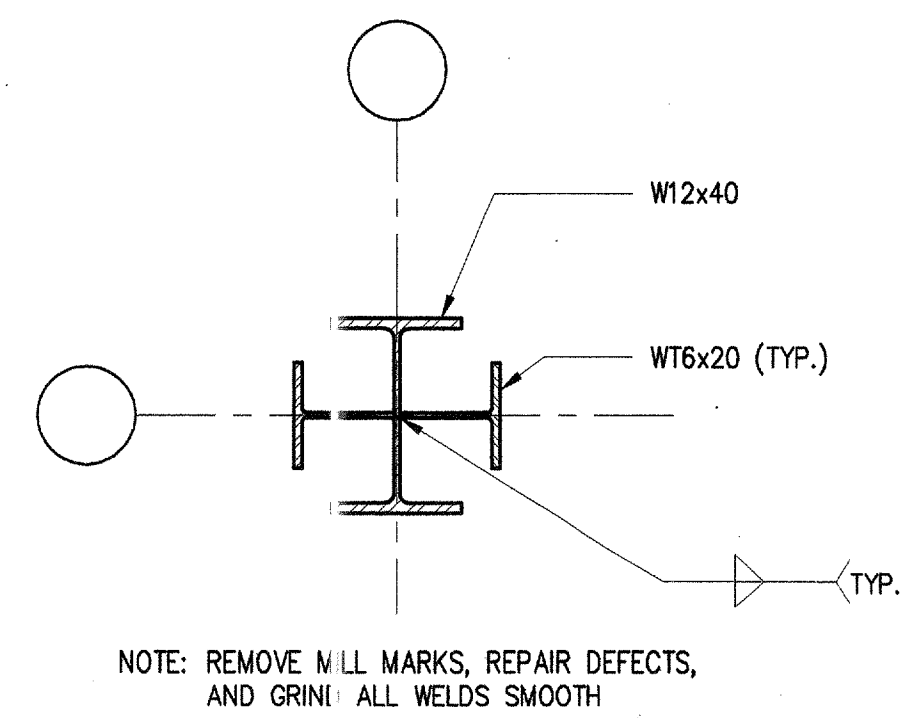
10 SECTION
SCALE: 1" = 1'-0"



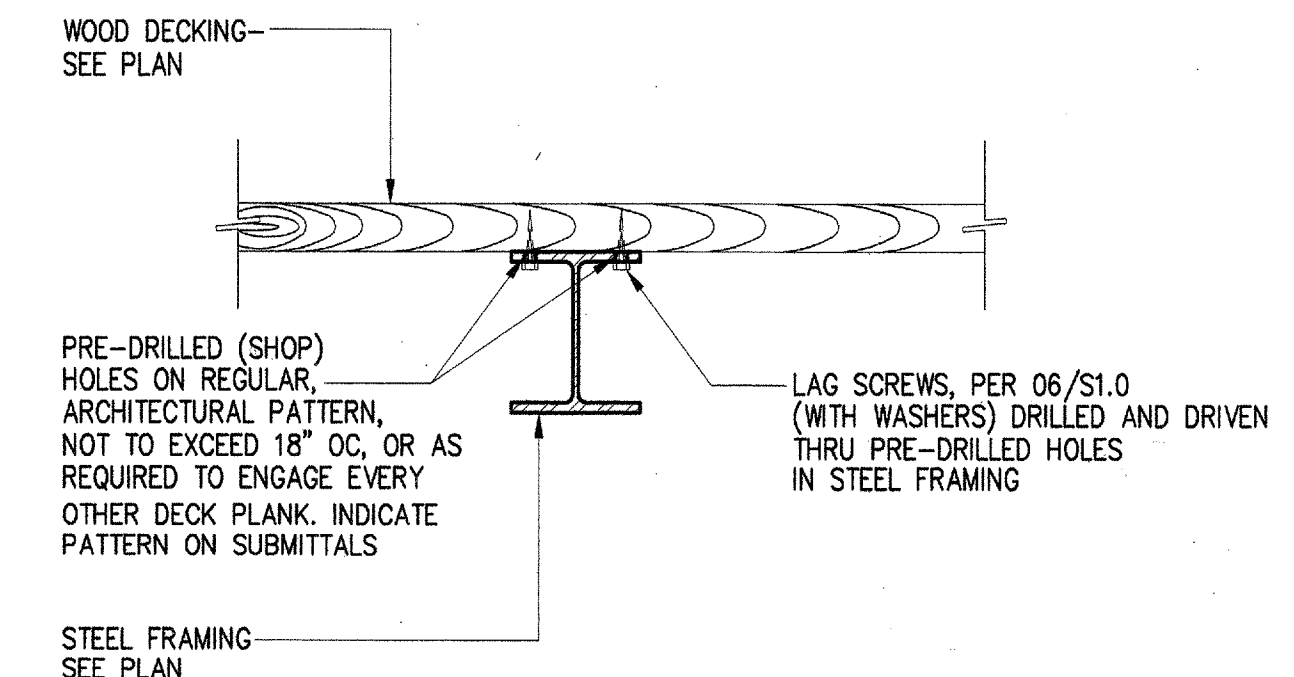
11 SECTION
SCALE: 1" = 1'-0"



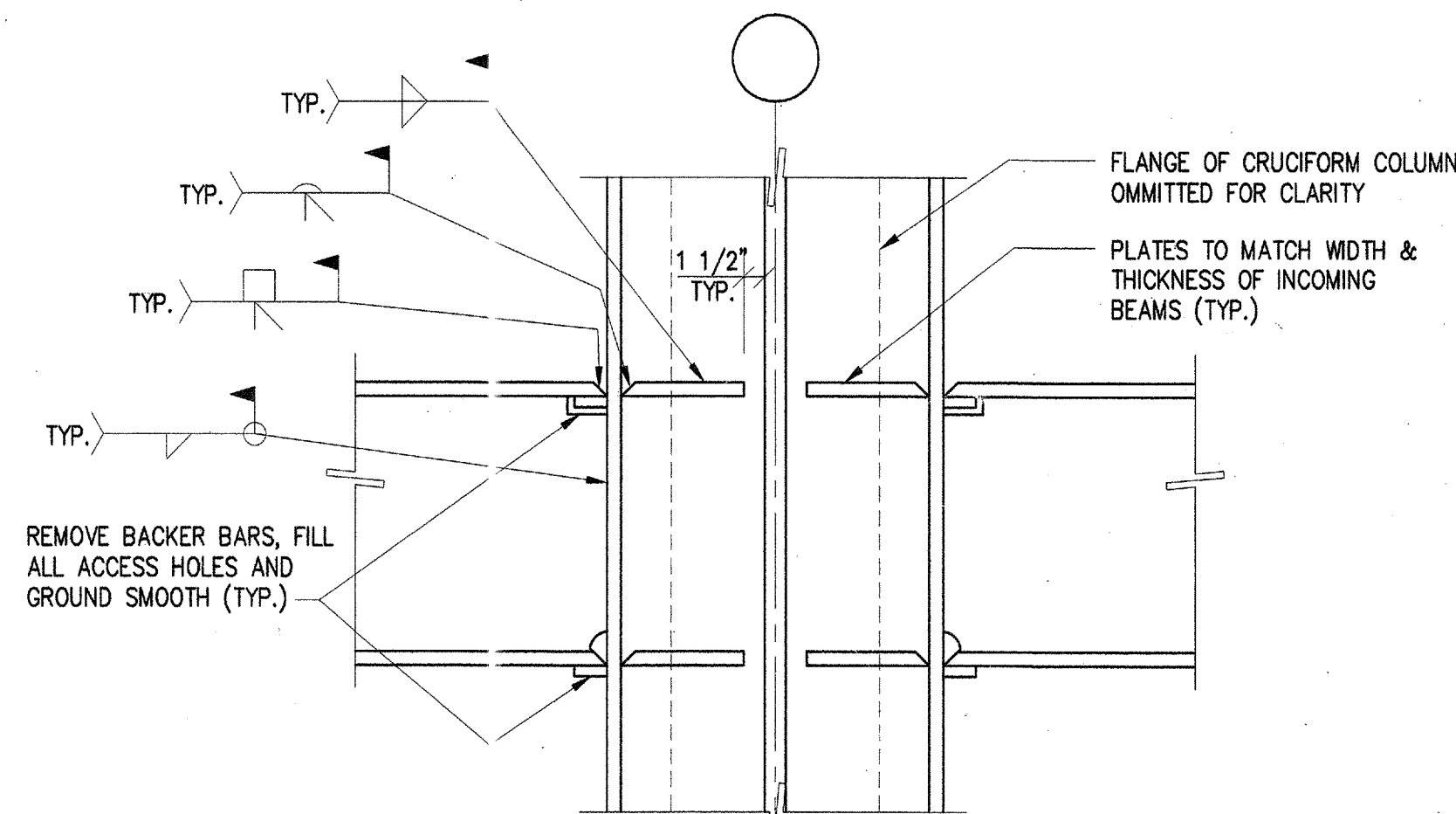
12 DETAIL
SCALE: 1" = 1'-0"



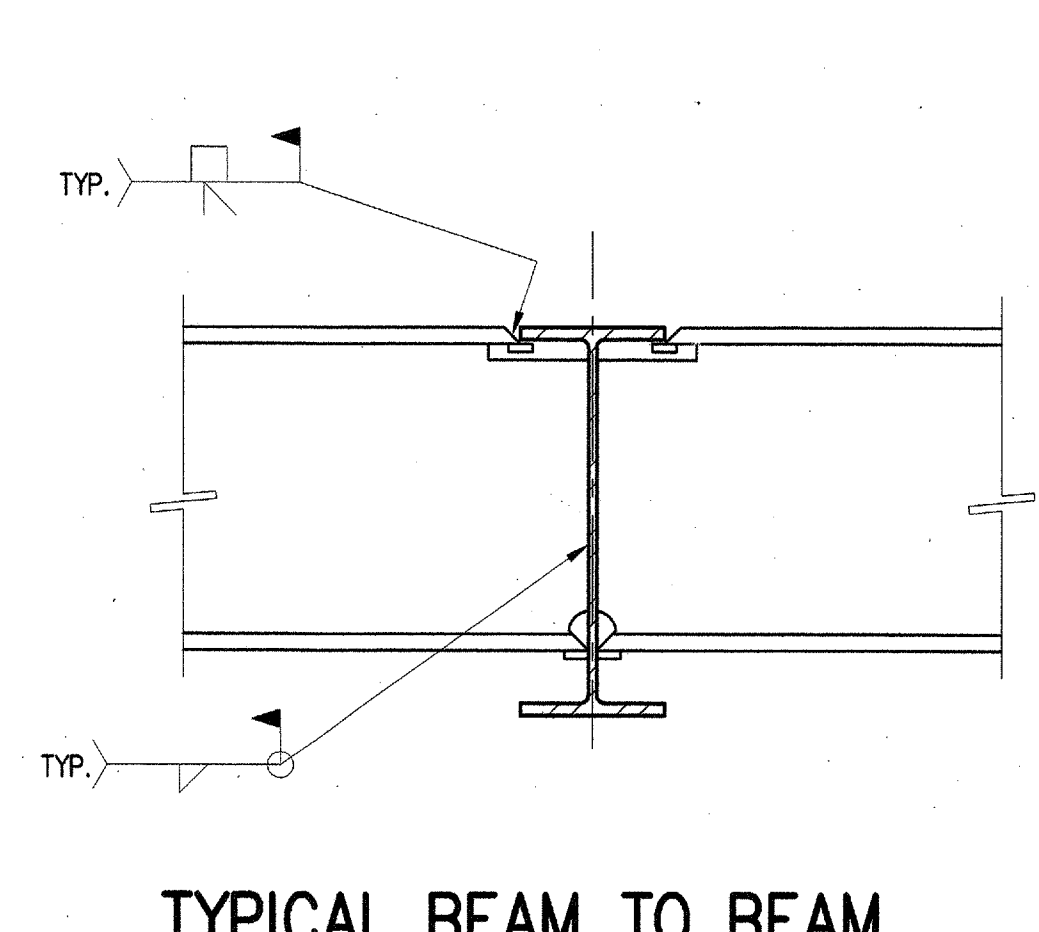
02 TYPICAL CRUCIFORM COLUMN
SCALE: 1" = 1'-0"



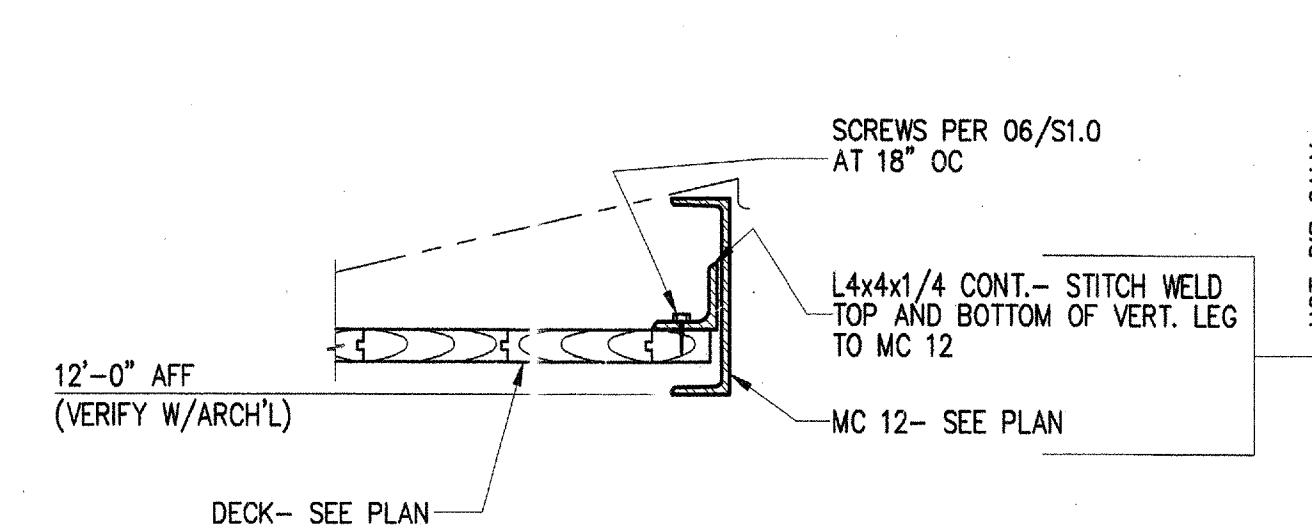
03 TYP DECK ATTACHMENT
SCALE: 1" = 1'-0"



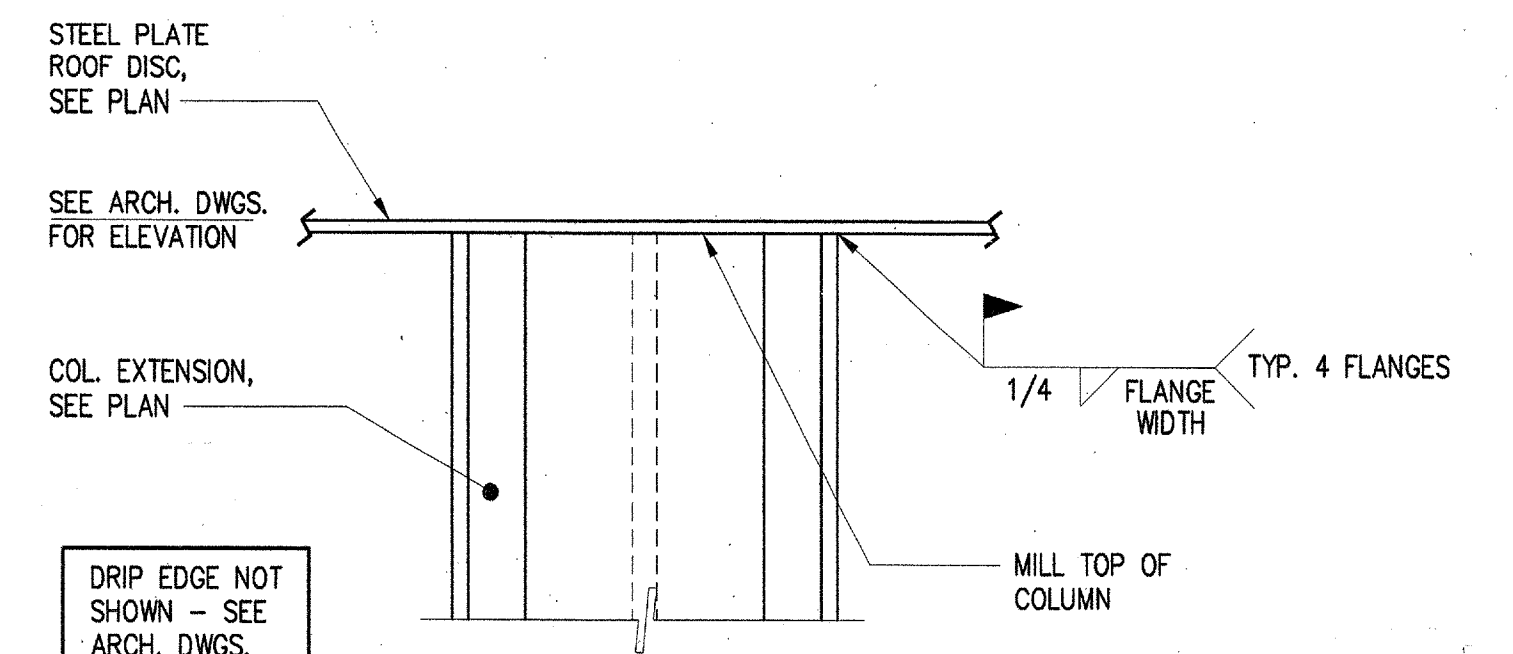
04 TYPICAL MOMENT CONNX. AT CRUCIFORM COLUMN
SCALE: 1 1/2" = 1'-0"



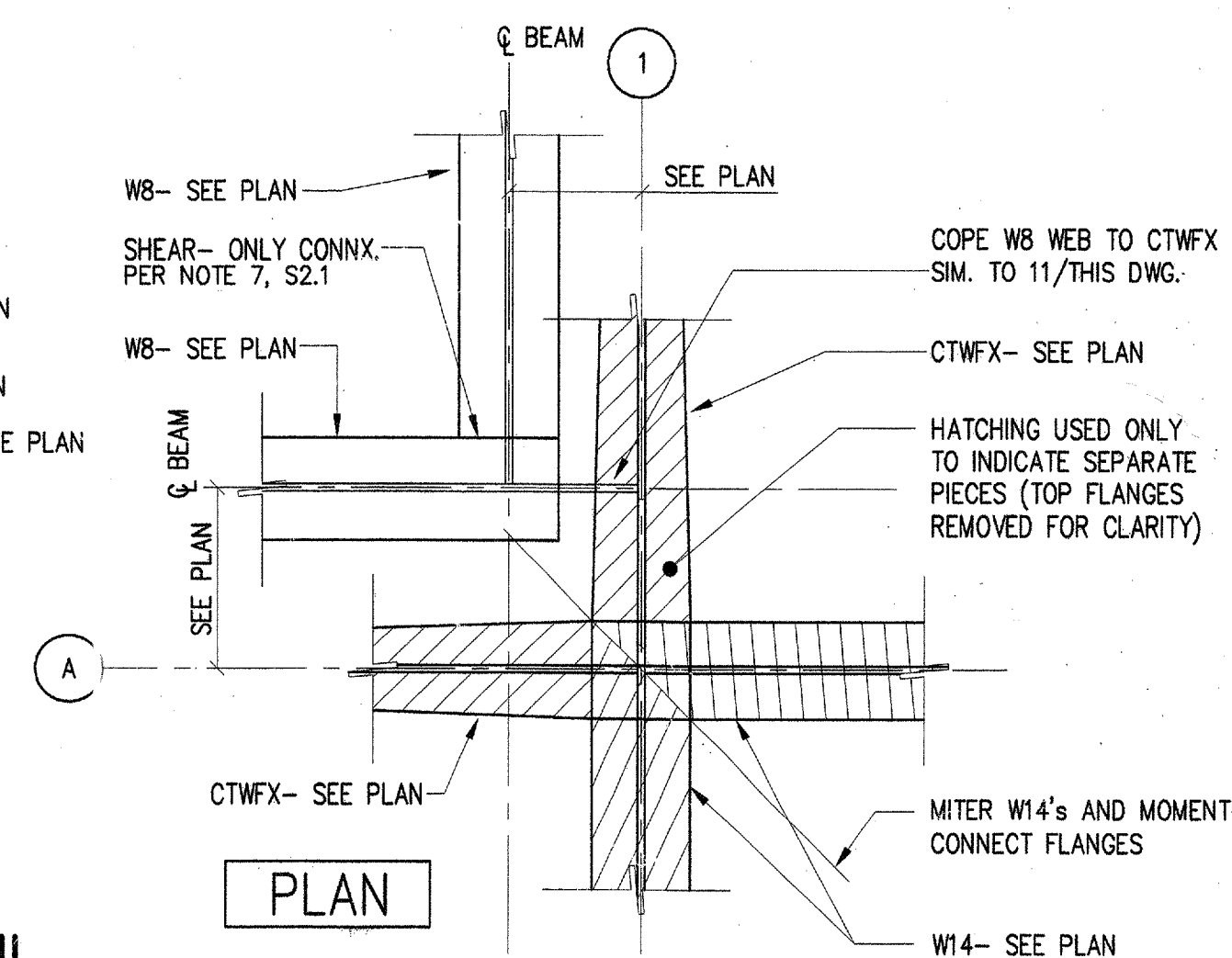
05 TYPICAL BEAM TO BEAM MOMENT CONNX.
SCALE: 1" = 1'-0"



08 SECTION
SCALE: 1" = 1'-0"



09 SECTION
SCALE: 1 1/2" = 1'-0"



13 DETAIL
SCALE: 1" = 1'-0"

