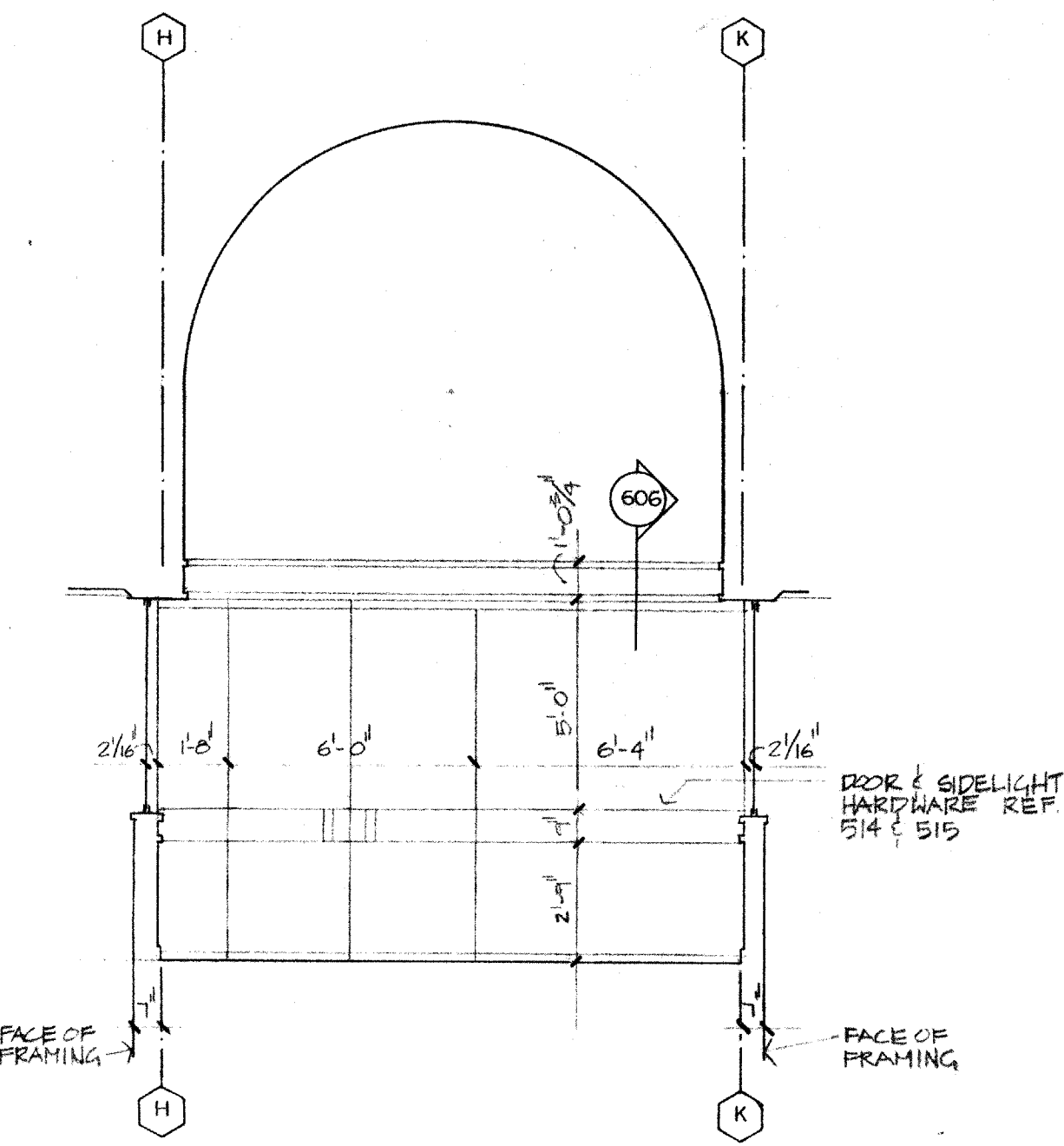


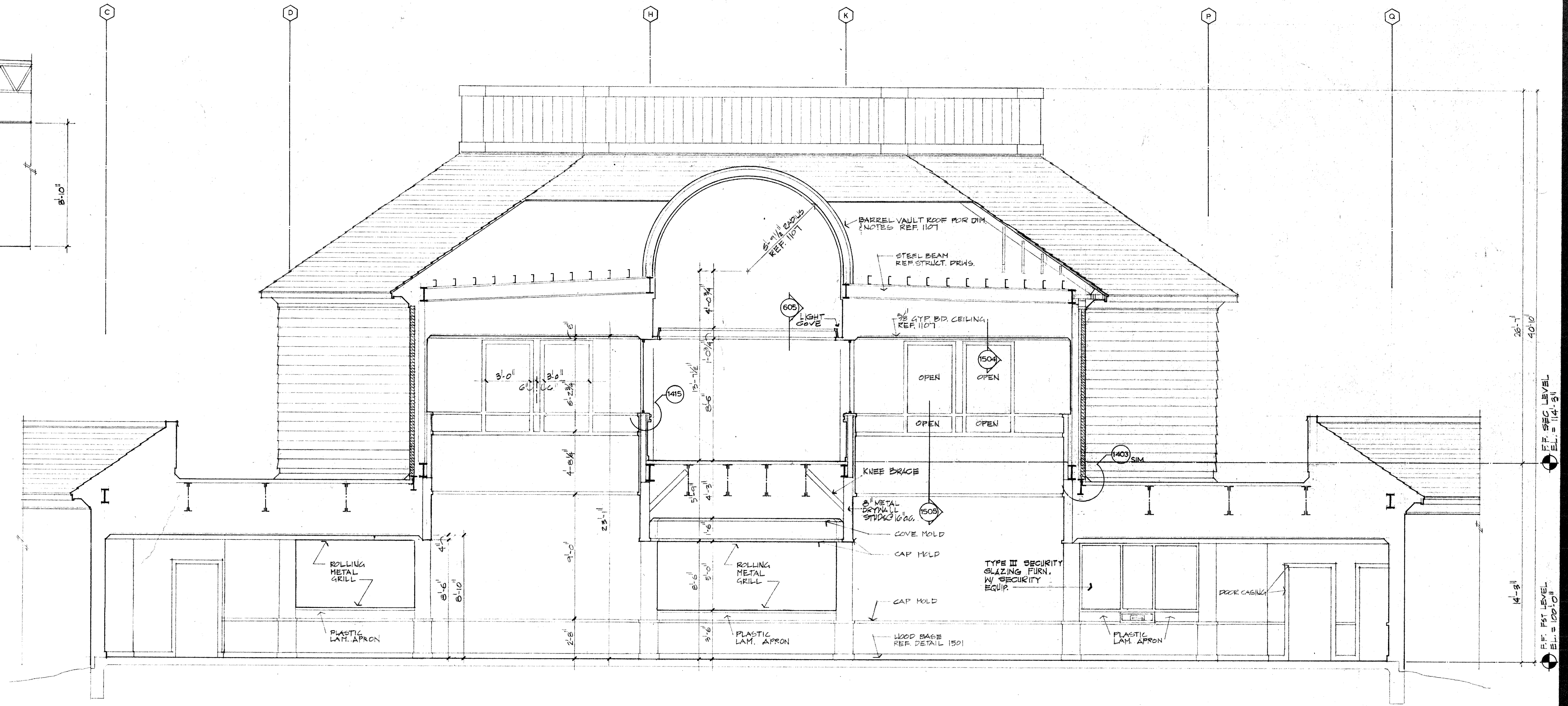
601 INTERIOR PARTIAL BUILDING SECTION

SCALE 1/4"=1'-0" REF 1319



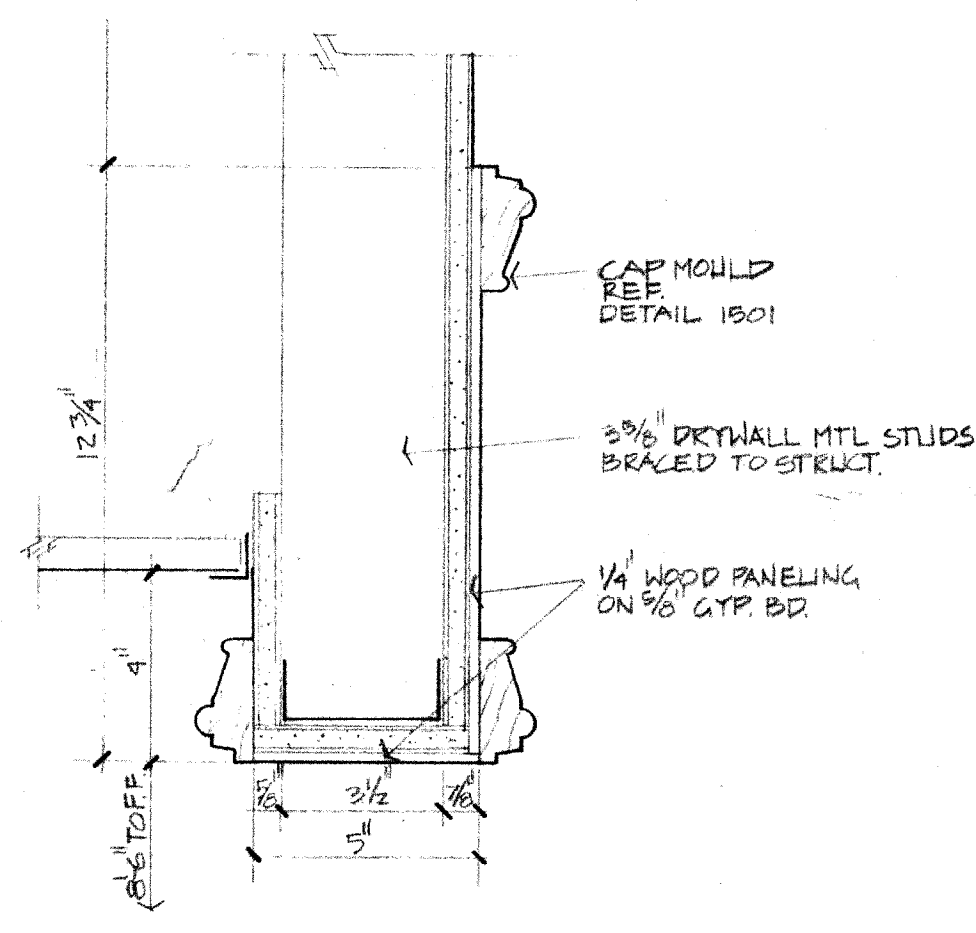
602 INTERIOR ELEVATION

SCALE 1/4"=1'-0"



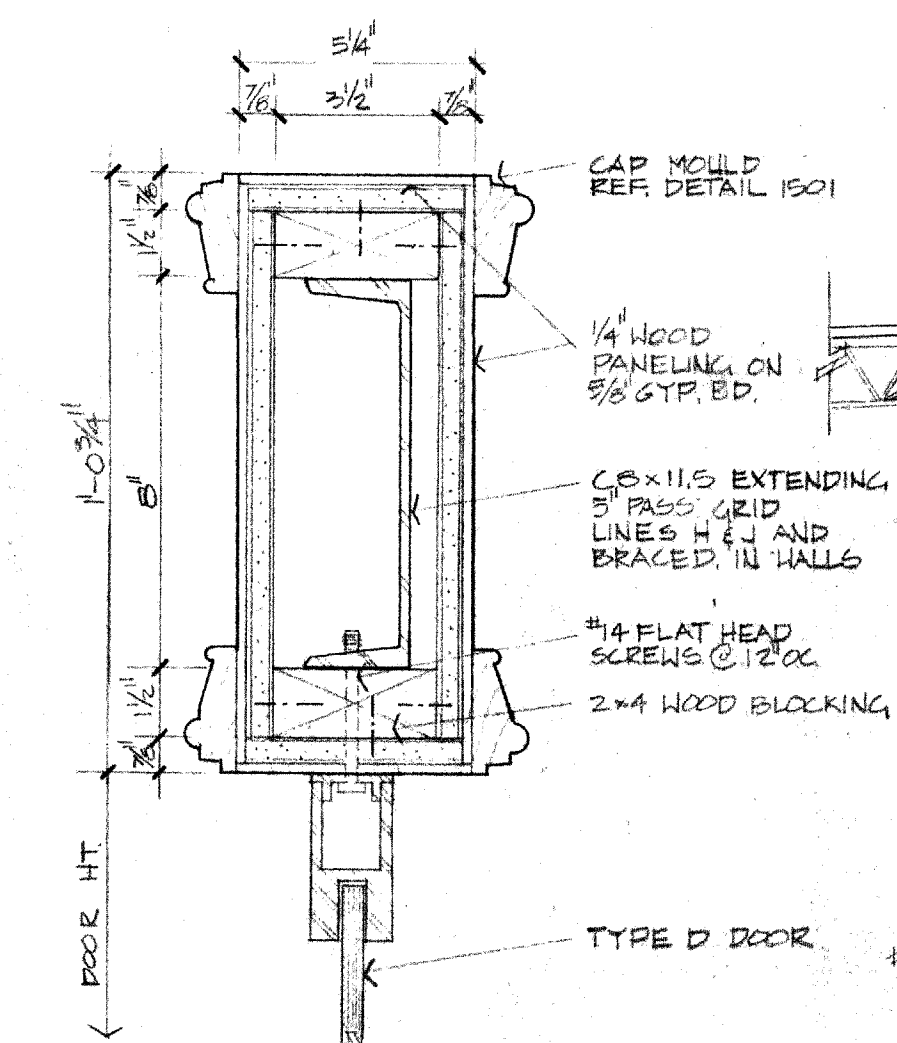
603 BUILDING SECTION

SCALE 1/4"=1'-0"



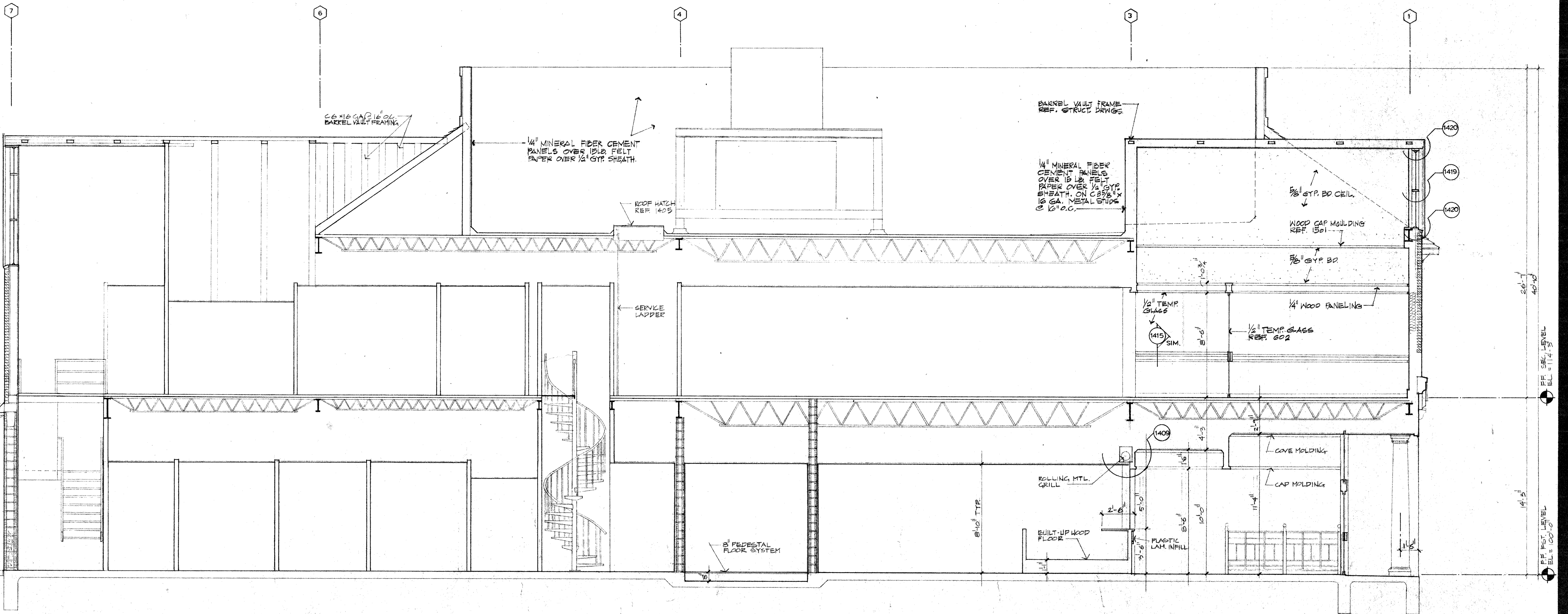
605 DETAIL

SCALE 3/8"=1'-0"



606 DETAIL

SCALE 3/8"=1'-0"

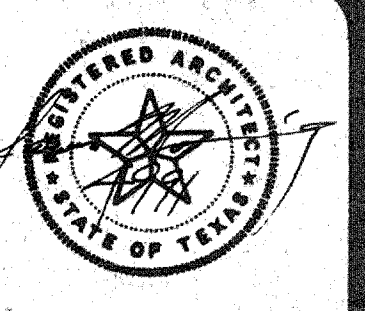


604 PARTIAL BUILDING SECTION

SCALE 1/4"=1'-0"

SHEPHERD + BOYD
 ARCHITECTS/PLANNERS & INTERIORS
 800 DALLAS AVENUE
 DALLAS BUILDING
 DALLAS, TEXAS 75202
 TELEPHONE 214/691-8000

A NEW POLICE FACILITY FOR THE
TOWN OF ADDISON
 4799 AIRPORT PARKWAY
 ADDISON, TEXAS 75248



REVISIONS

NO.	DATE	DESCRIPTION

DATE
 JULY 12 1982
 JOB NO. 318

SHEET
 A6