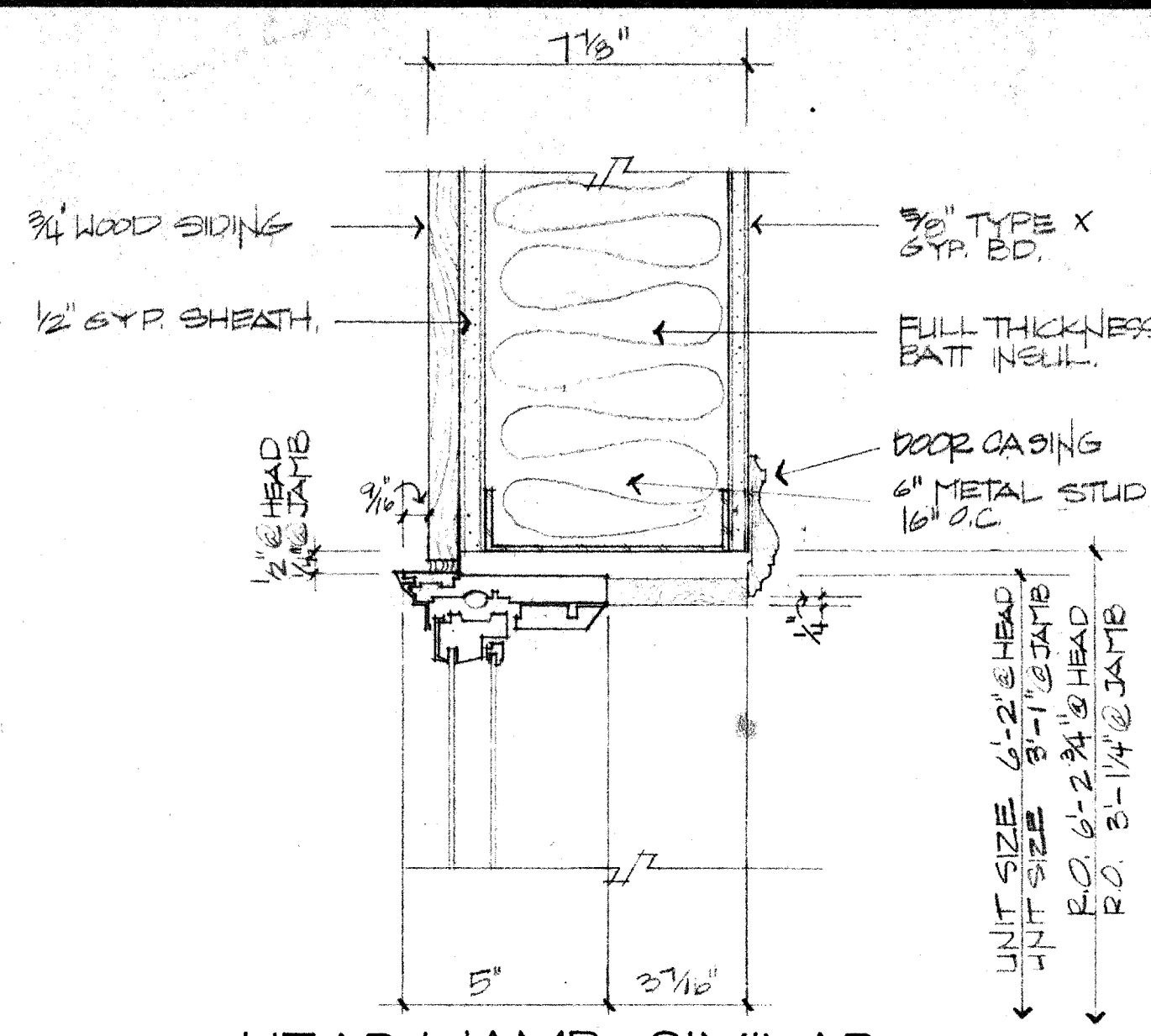
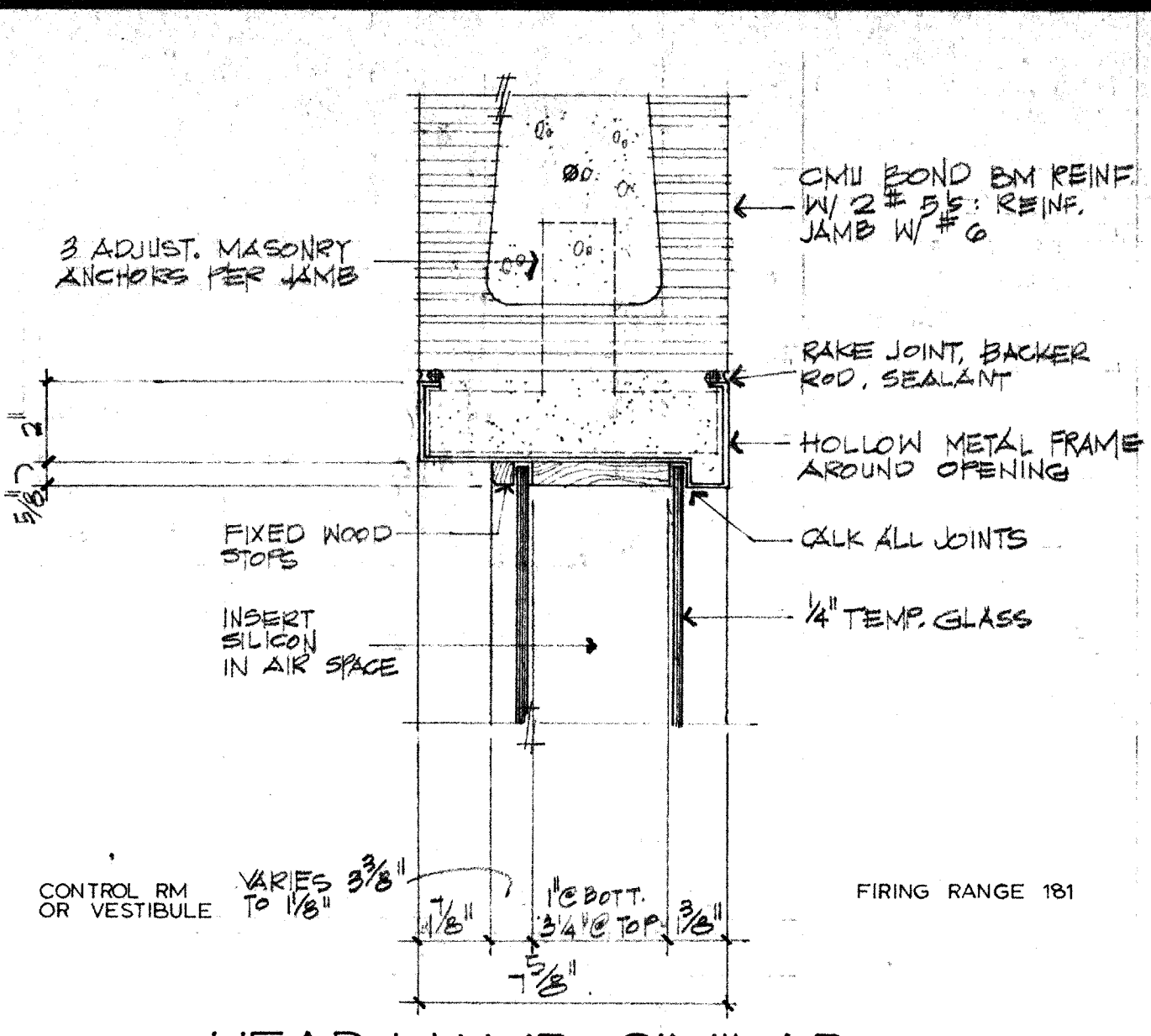


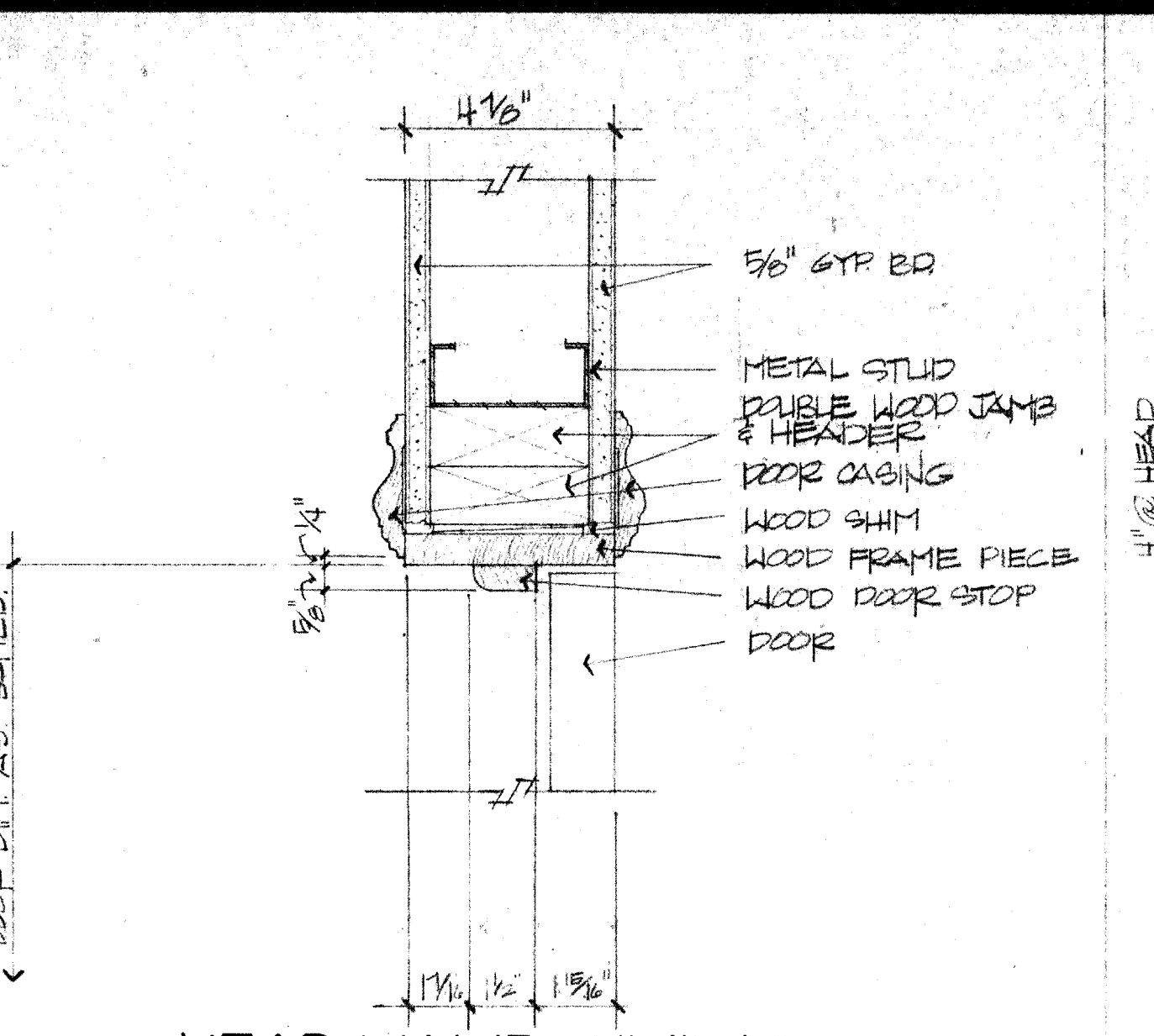
1201 HEAD
SCALE: 3/8" = 1'-0"
REF. 401, 402, 403, 513



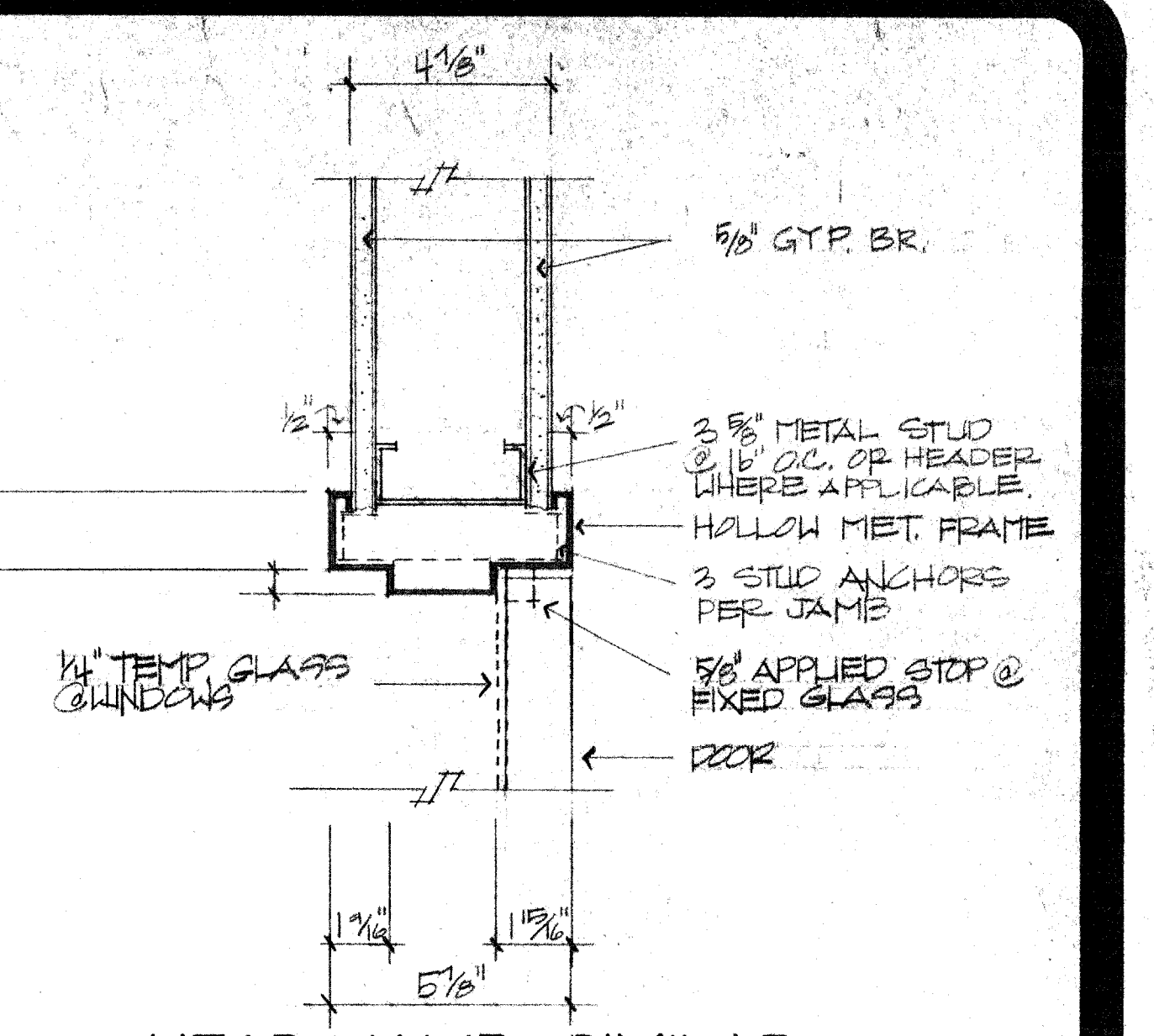
1202 HEAD/JAMB SIMILAR
SCALE: 3/8" = 1'-0"
REF. 402, 403



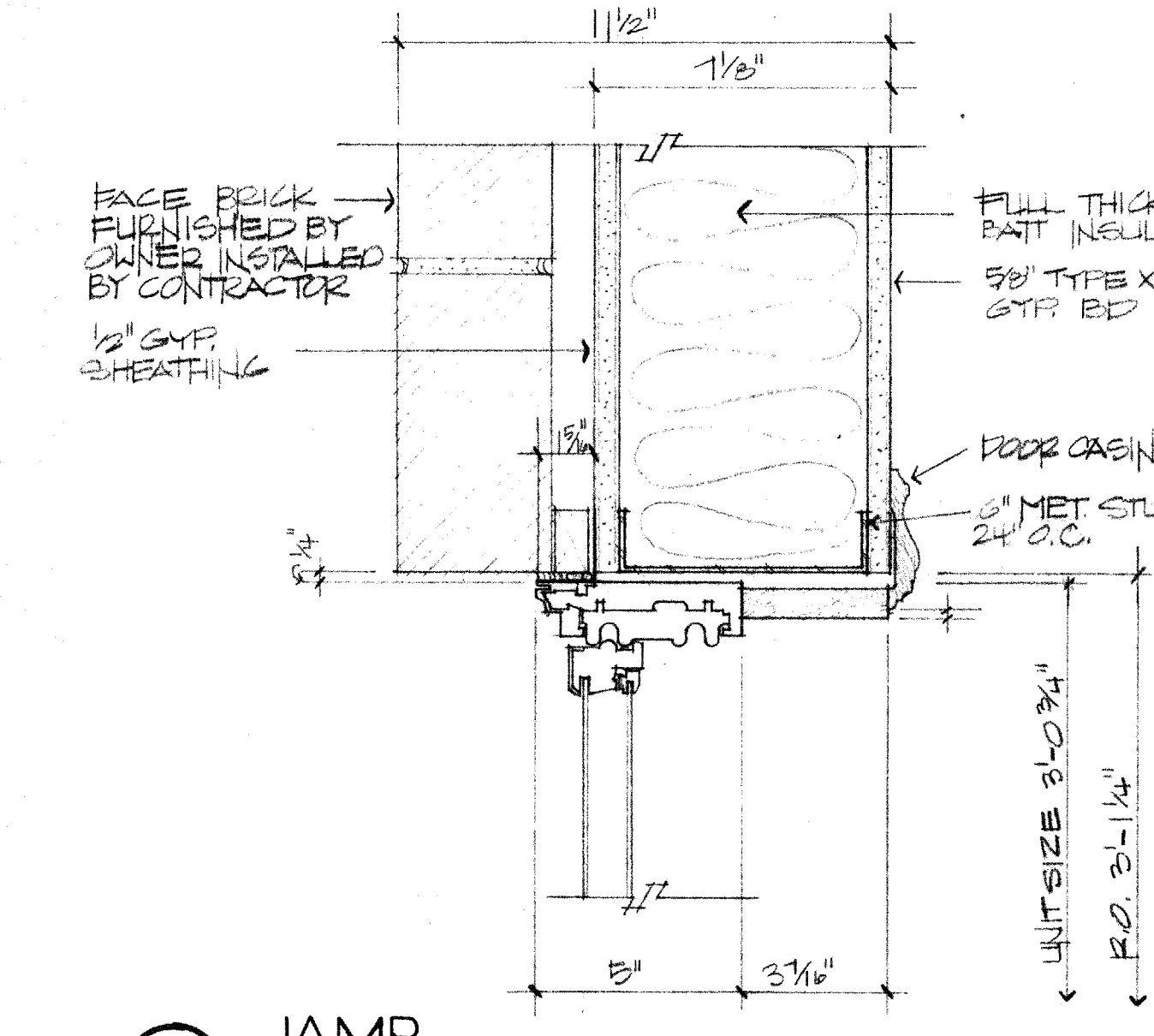
1203 HEAD/JAMB SIMILAR
SCALE: 3/8" = 1'-0"
REF. 1105



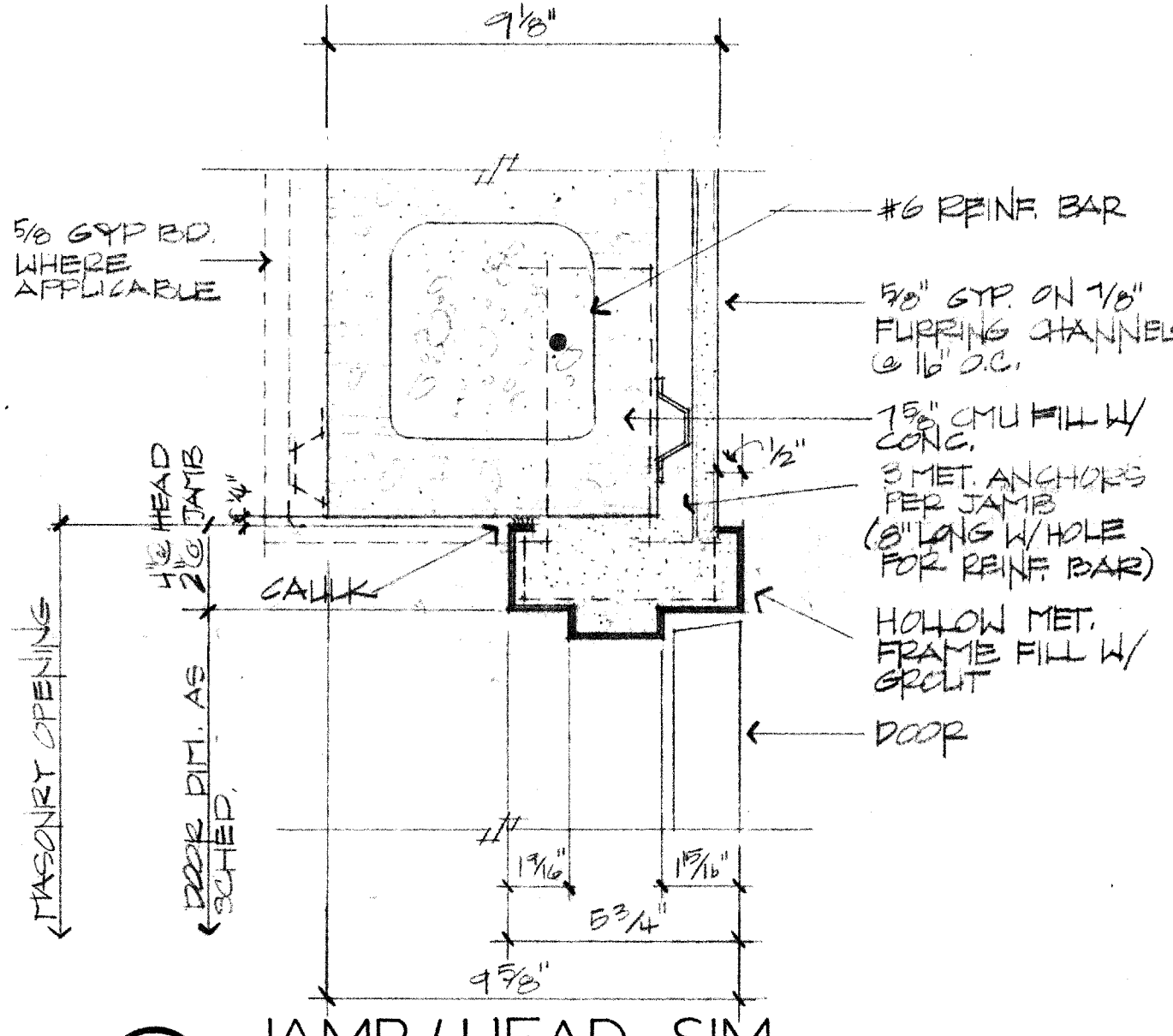
1204 HEAD/JAMB SIMILAR
SCALE: 3/8" = 1'-0"
REF. DOOR SCHED.



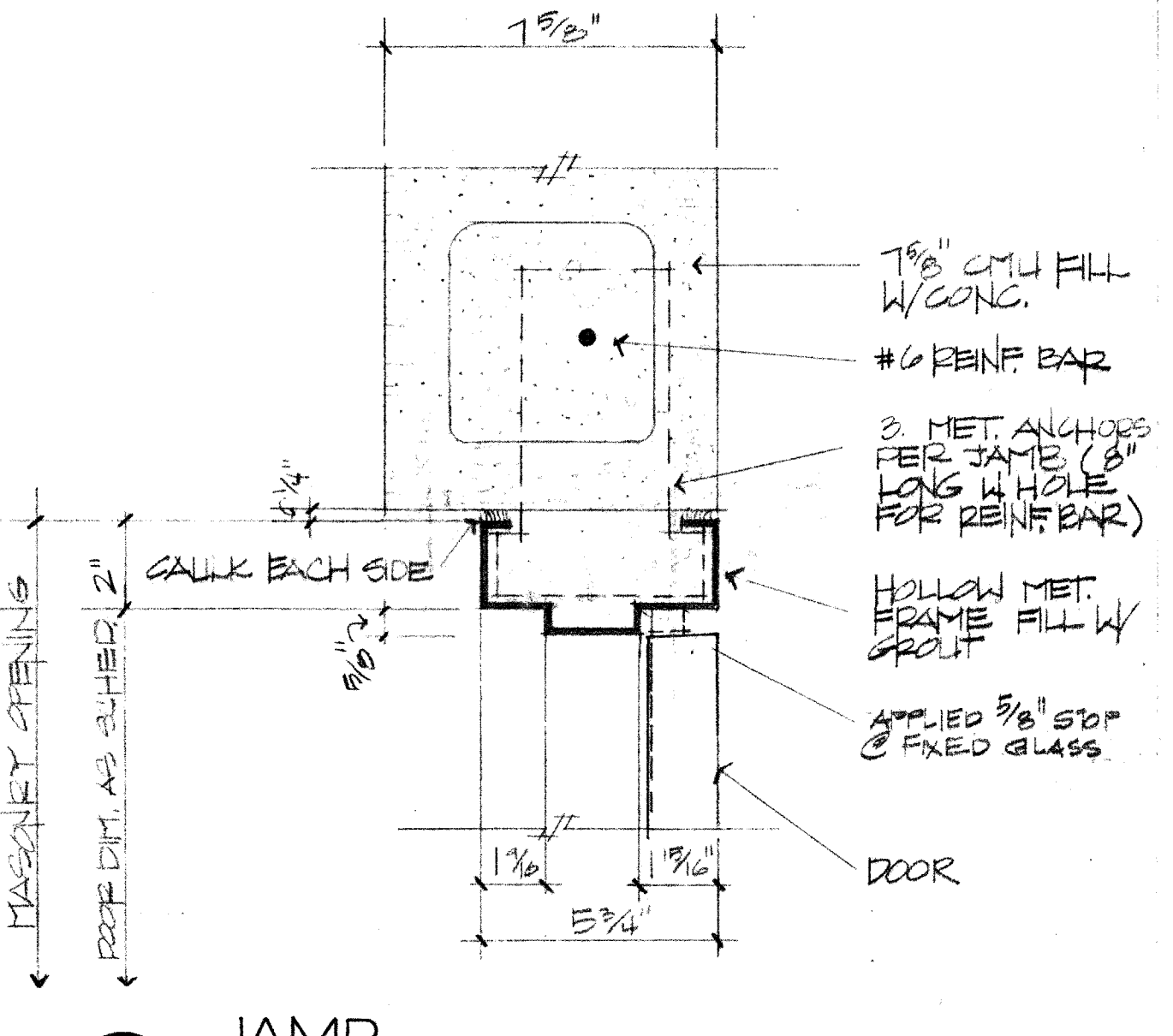
1205 HEAD/JAMB SIMILAR
SCALE: 3/8" = 1'-0"
REF. DOOR SCHED.



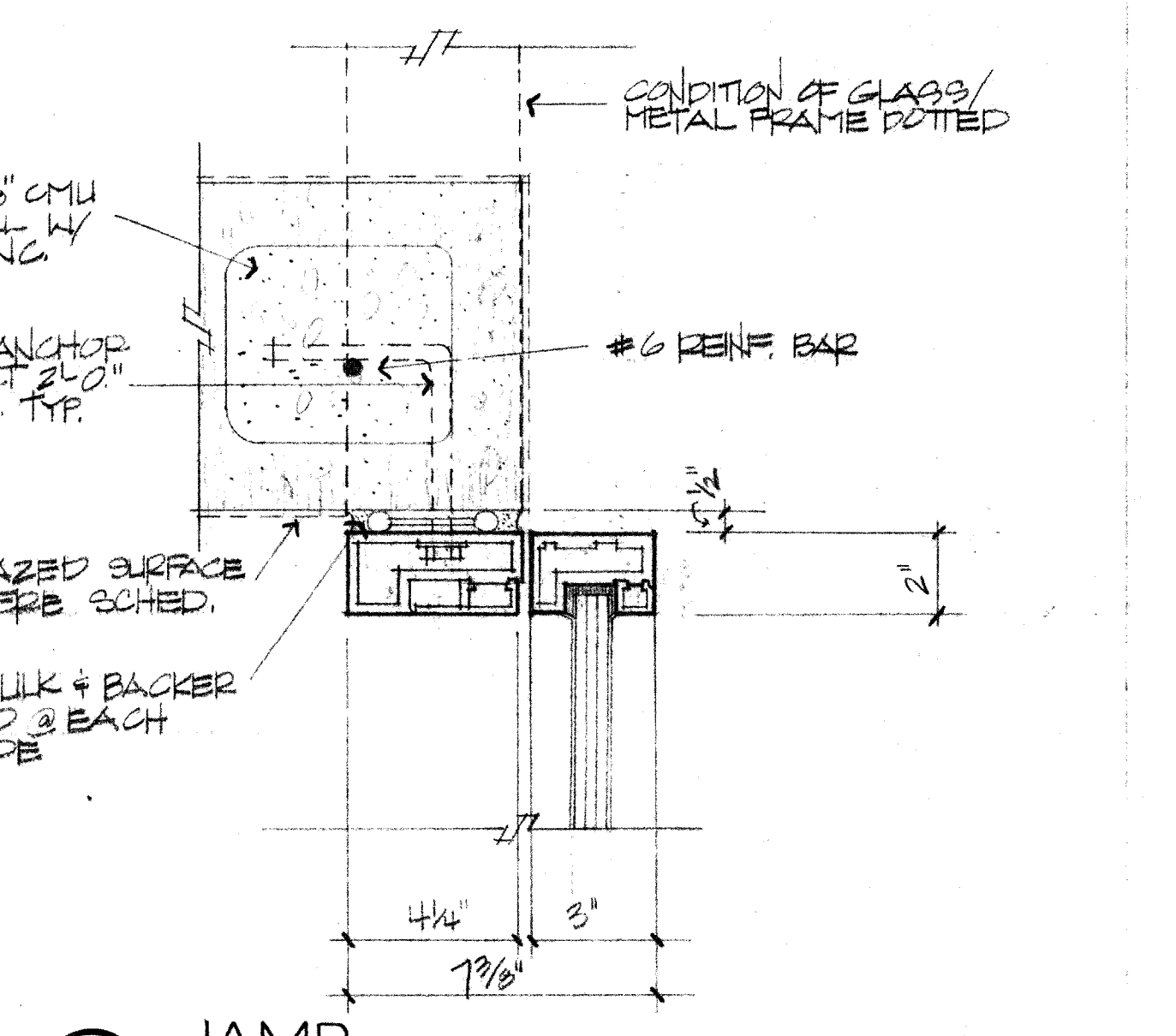
1206 JAMB
SCALE: 3/8" = 1'-0"
REF. 401, 402, 403, 513



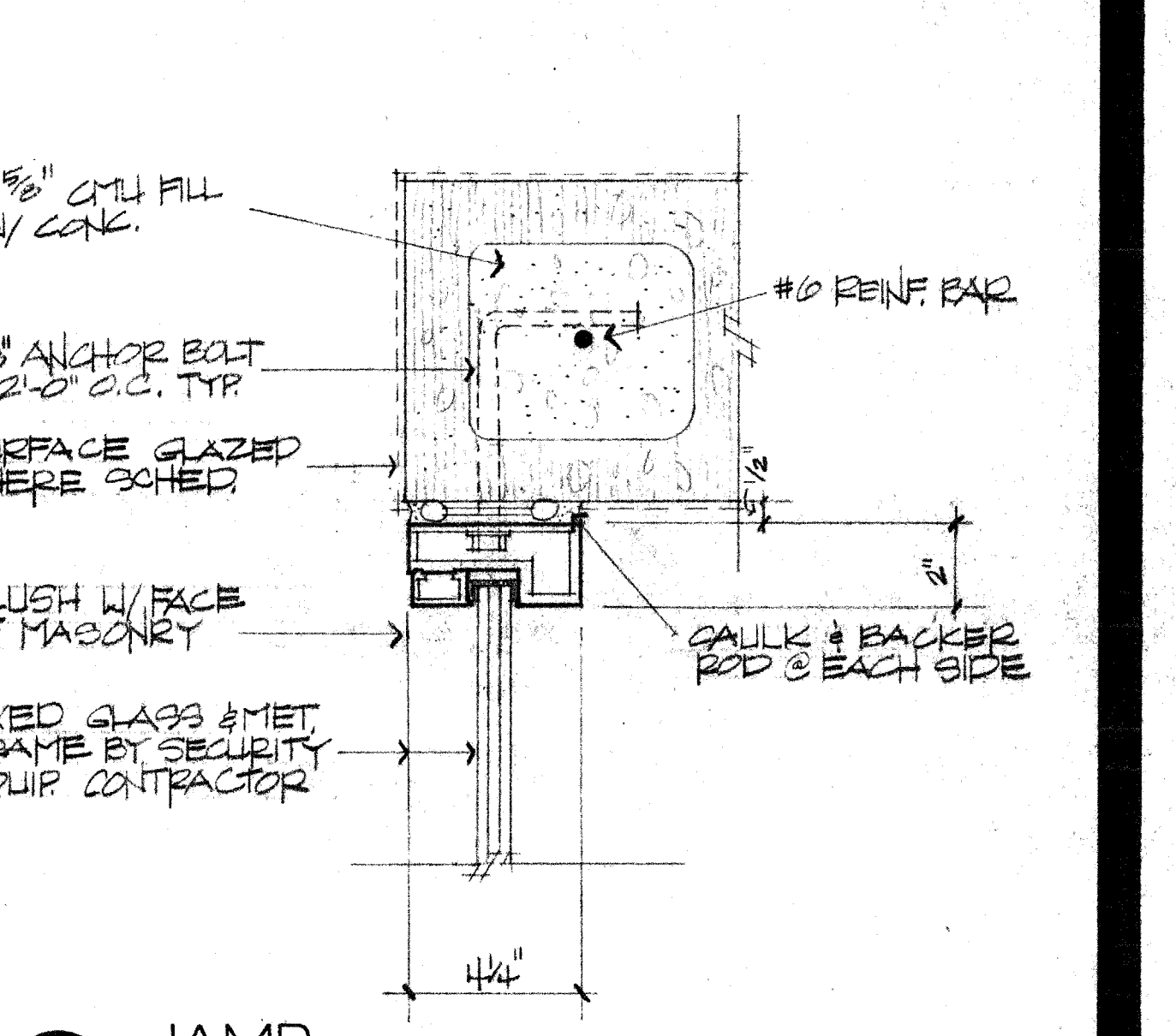
1207 JAMB/HEAD SIM
SCALE: 3/8" = 1'-0"
REF. 402, 403



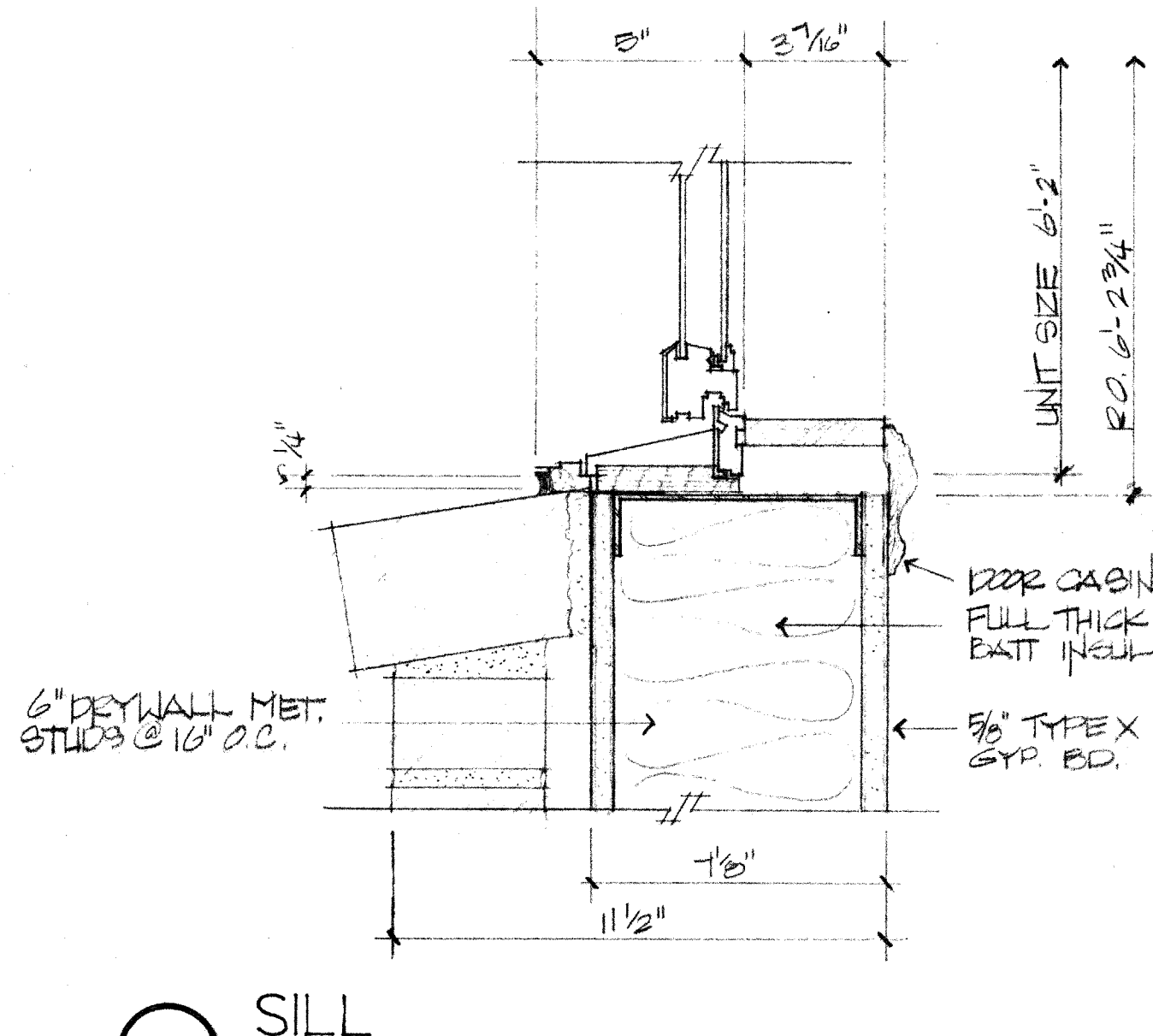
1208 JAMB
SCALE: 3/8" = 1'-0"
REF. DOOR SCHED.



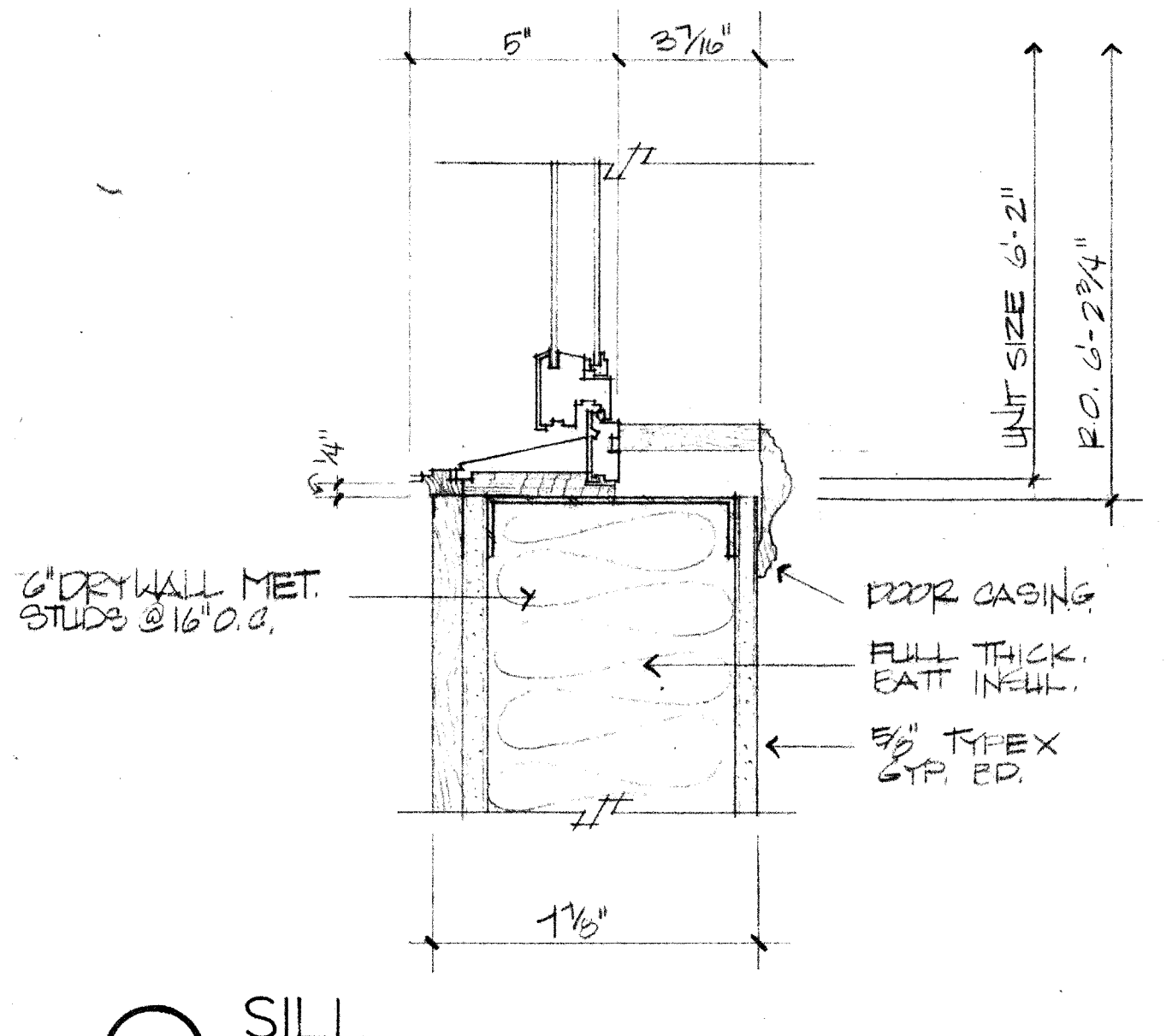
1209 JAMB
SCALE: 3/8" = 1'-0"
REF. DOOR SCHED.



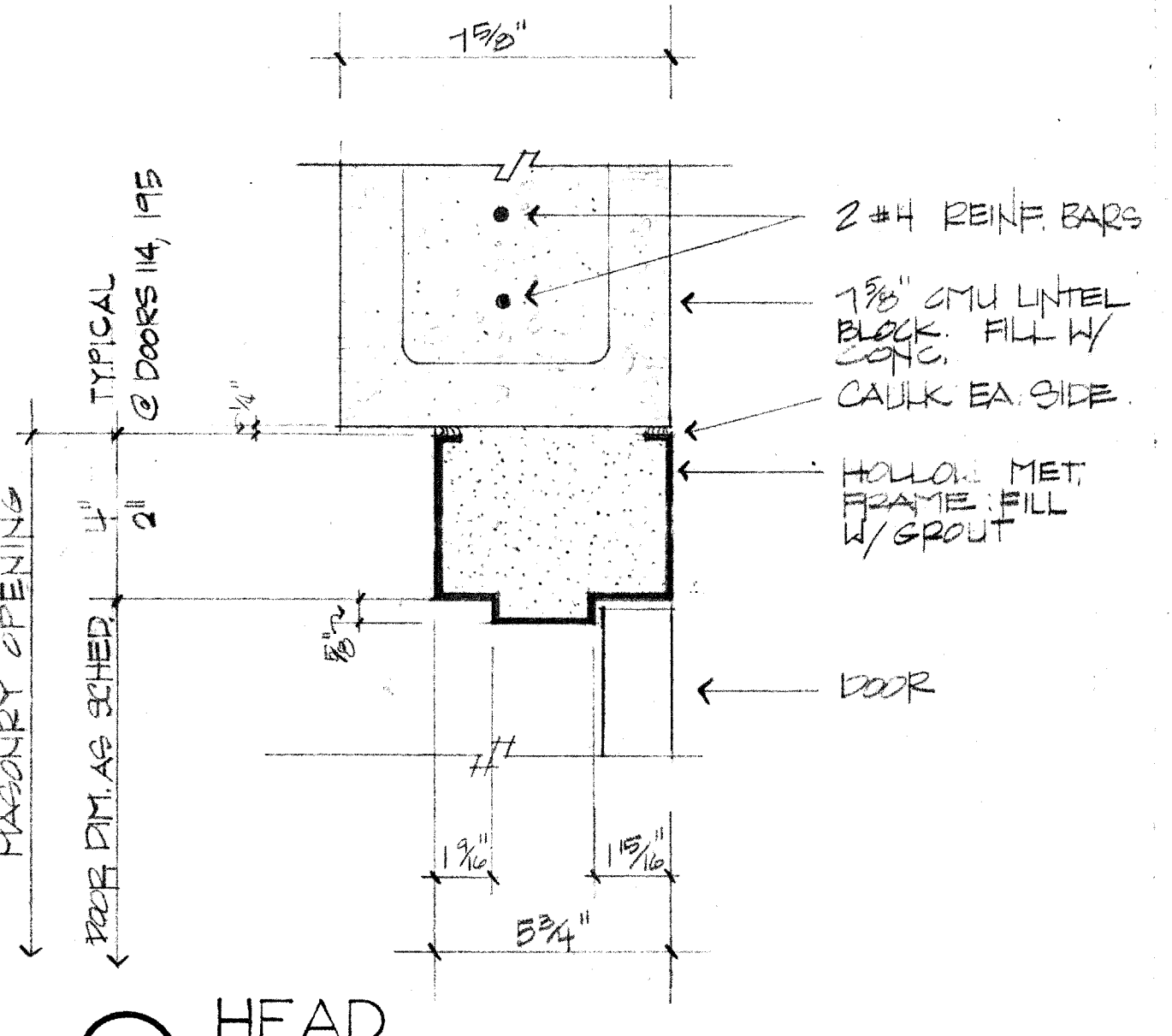
1210 JAMB
SCALE: 3/8" = 1'-0"
REF. DOOR SCHED.



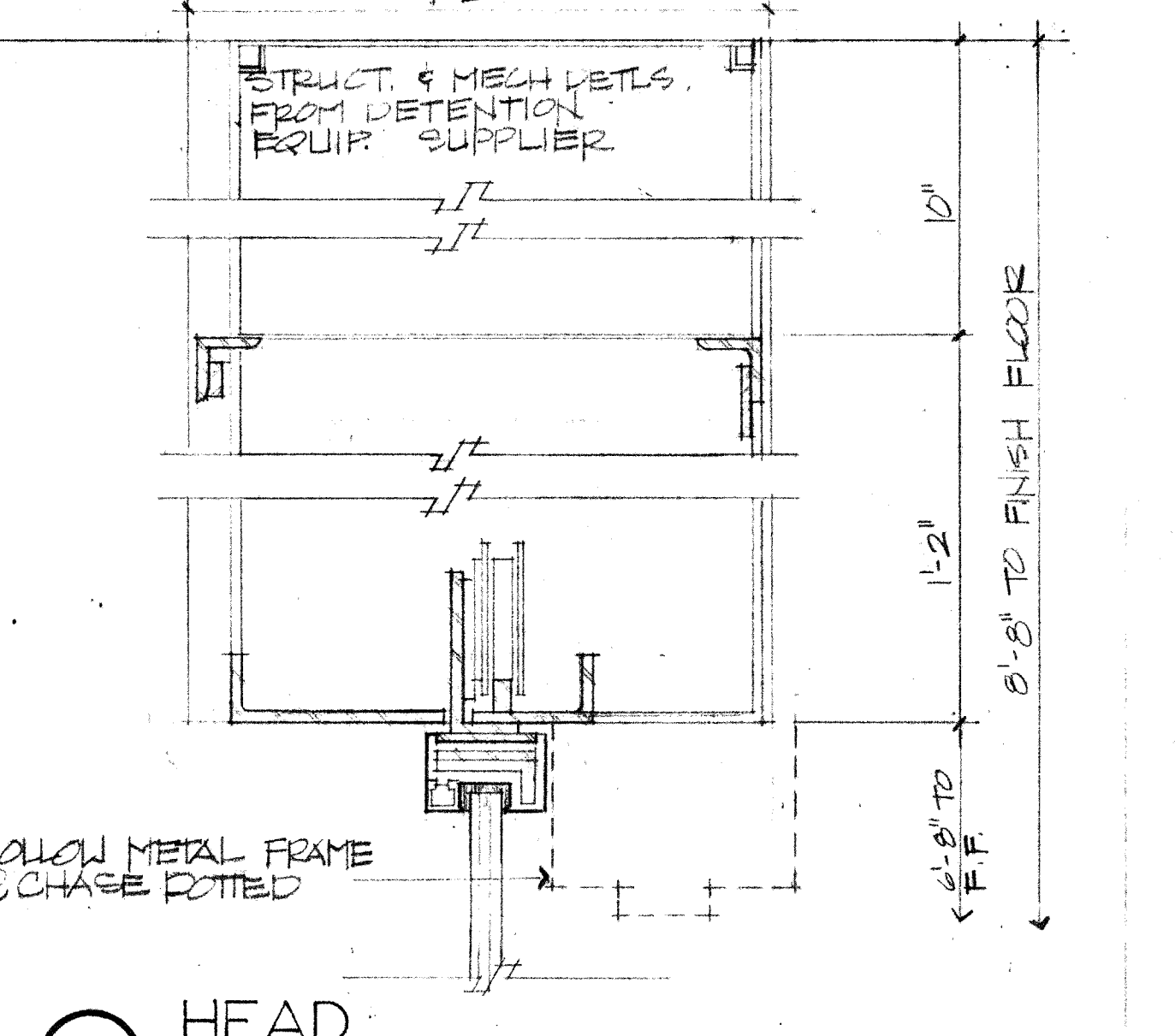
1211 SILL
SCALE: 3/8" = 1'-0"
REF. 401, 402, 403, 513



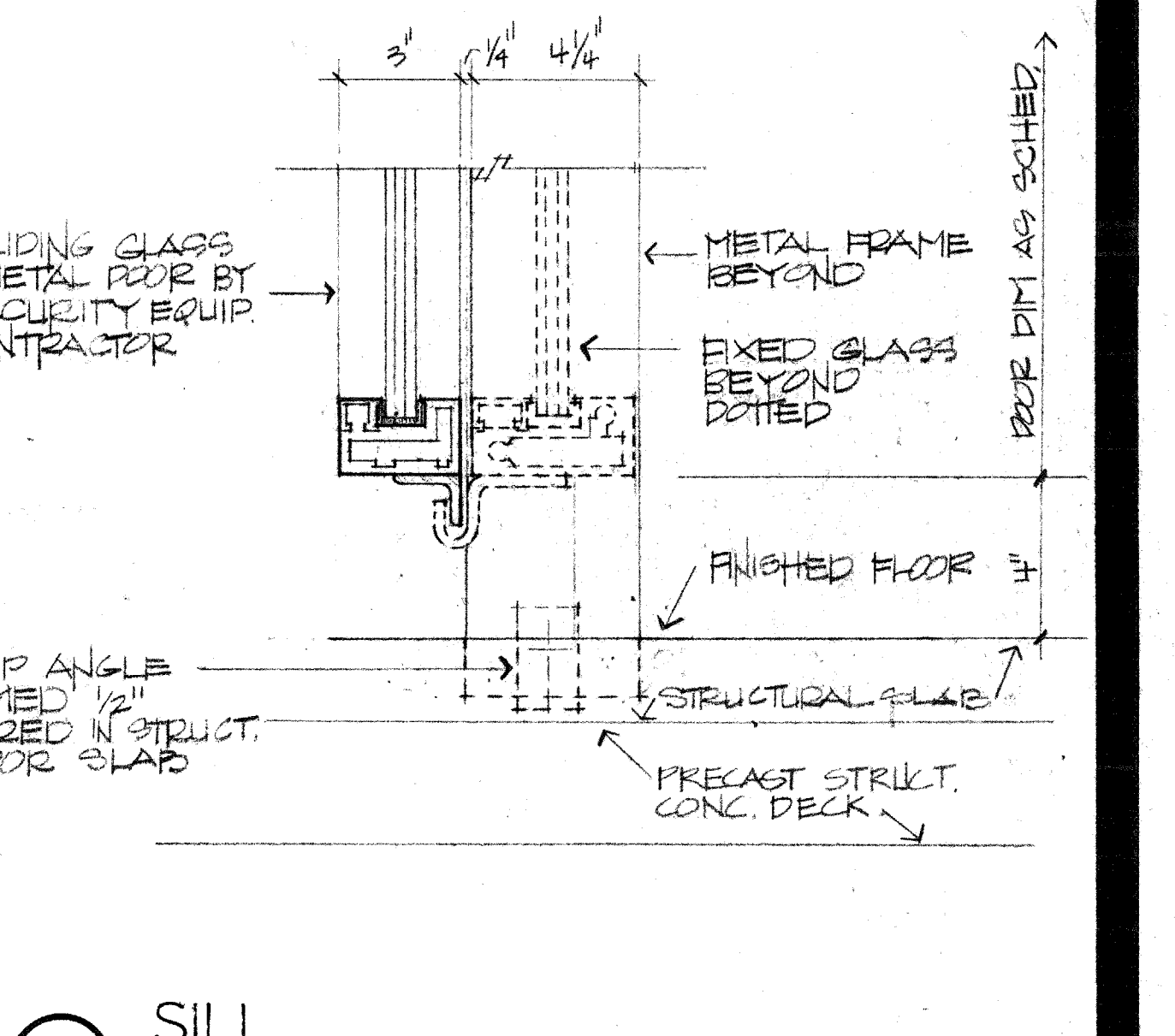
1212 SILL
SCALE: 3/8" = 1'-0"
REF. 401, 402



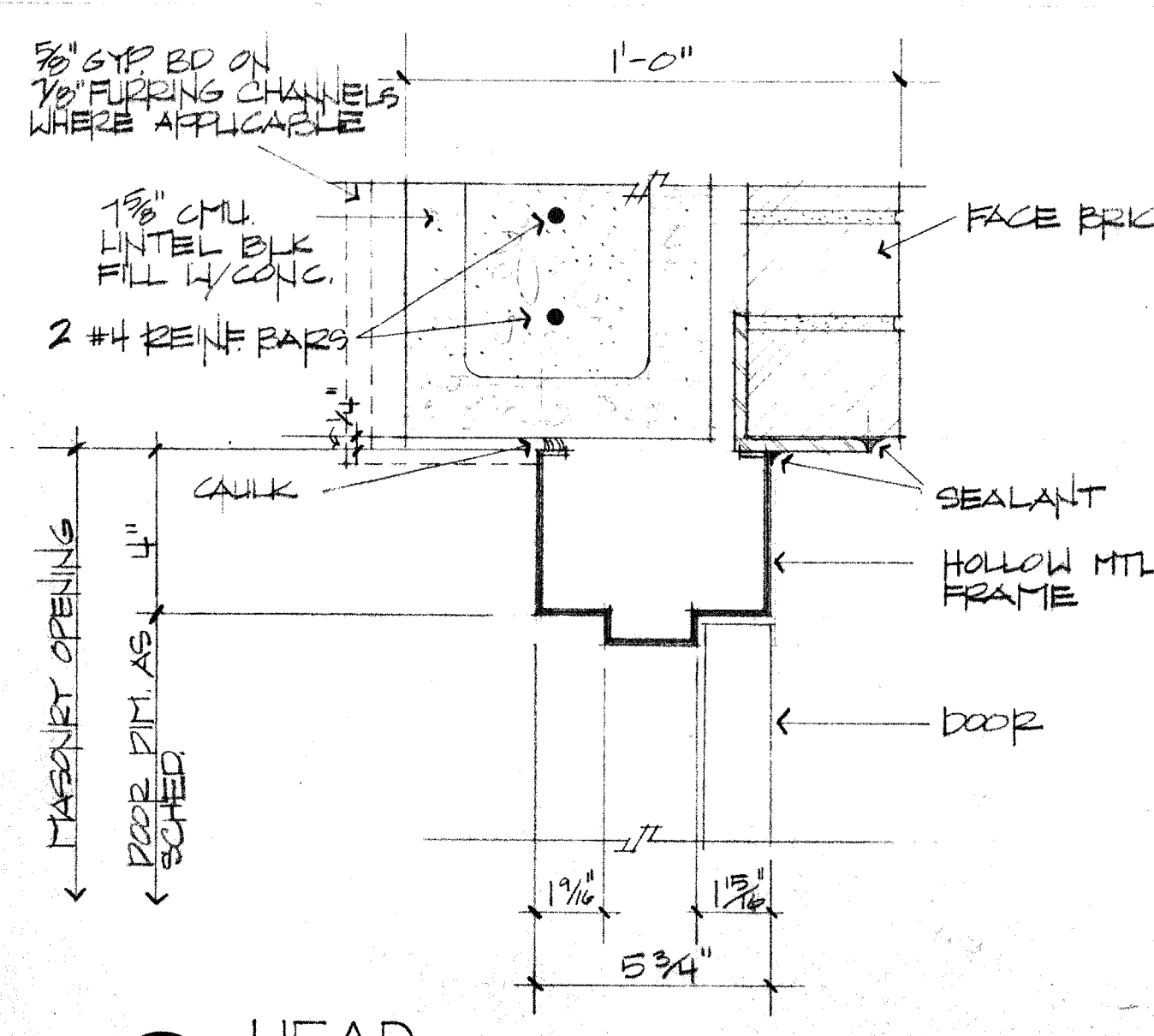
1213 HEAD
SCALE: 3/8" = 1'-0"
REF. DOOR SCHED.



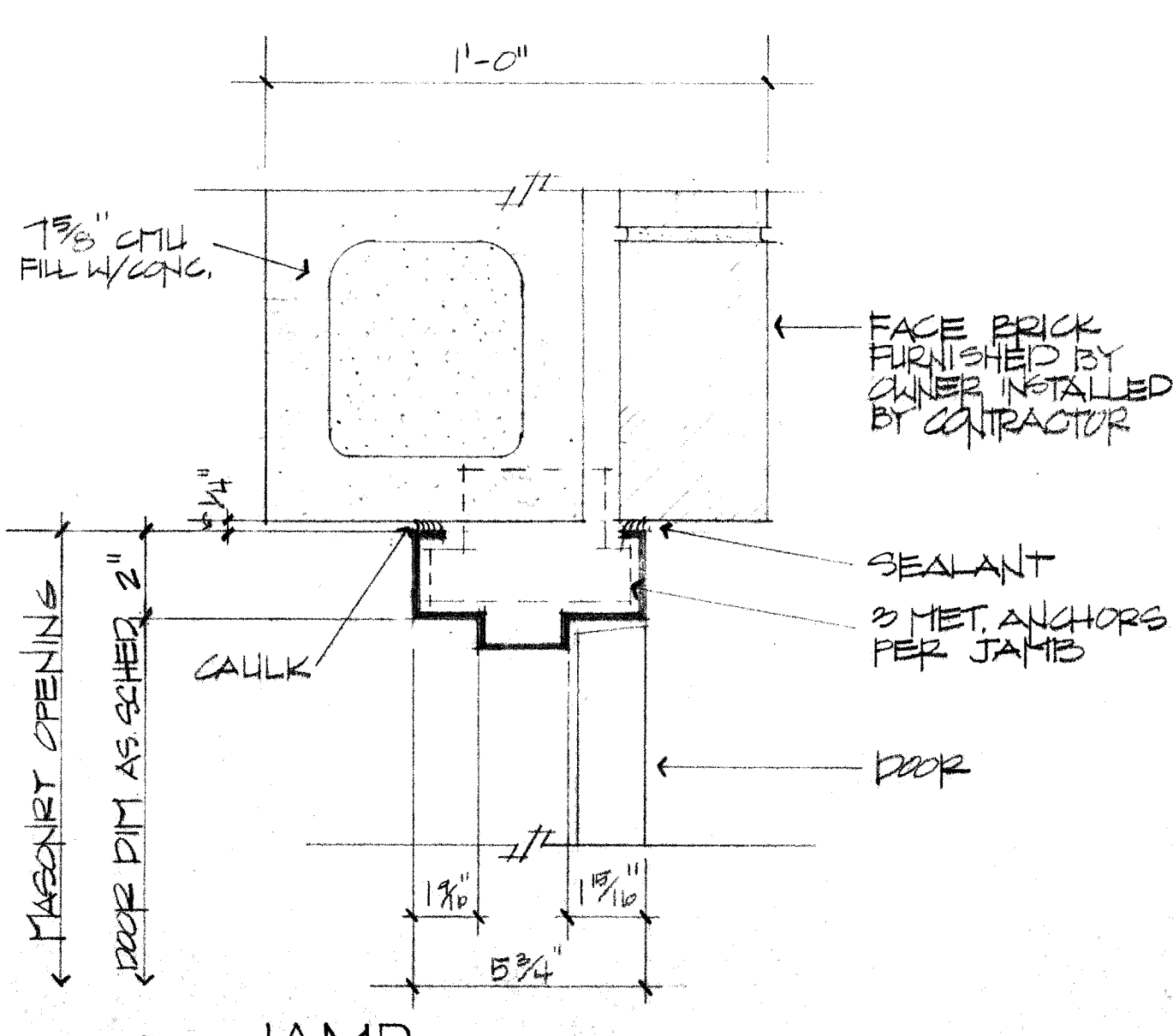
1214 HEAD
SCALE: 3/8" = 1'-0"
REF. DOOR SCHED.



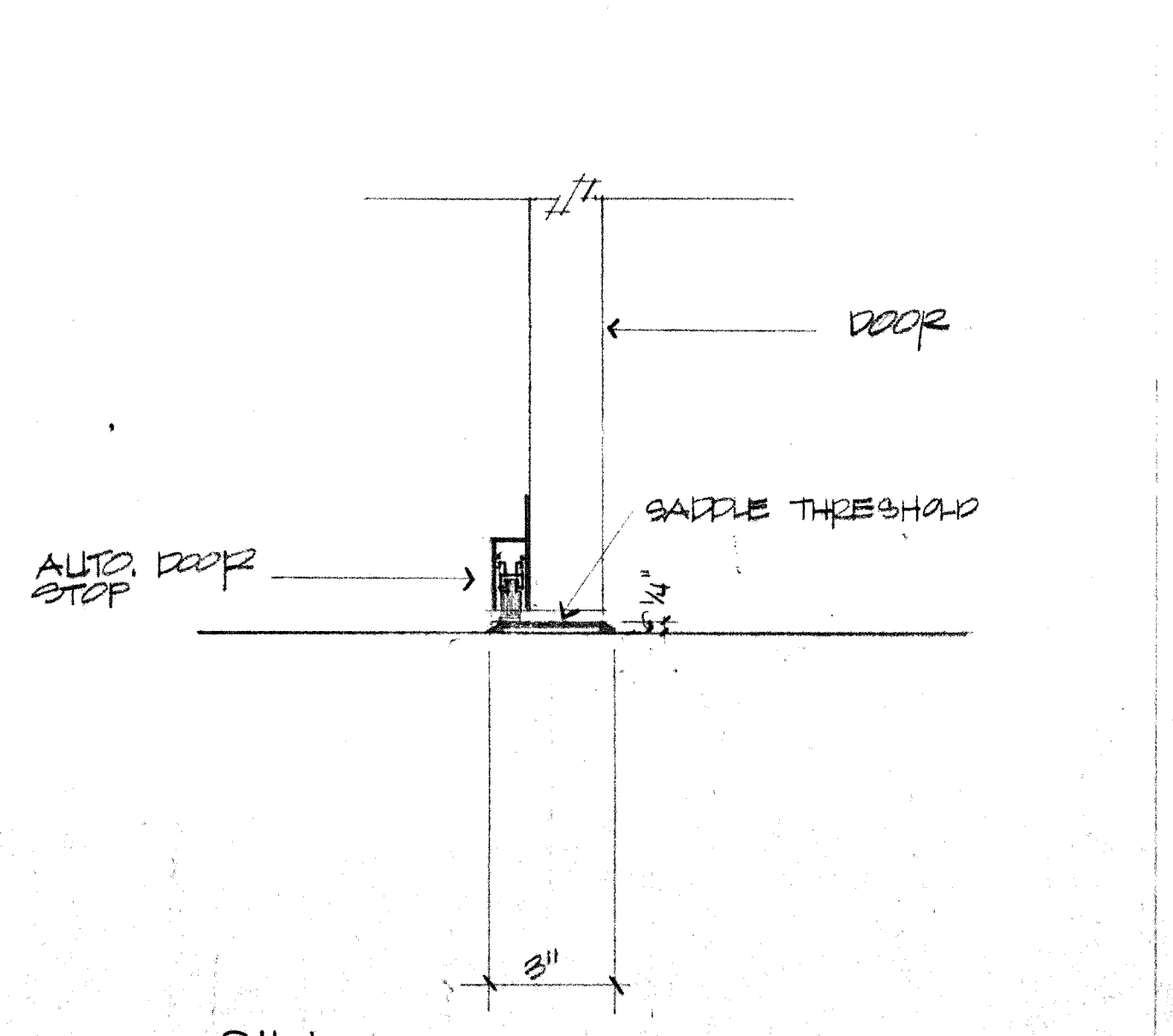
1215 SILL
SCALE: 3/8" = 1'-0"
REF. DOOR SCHED.



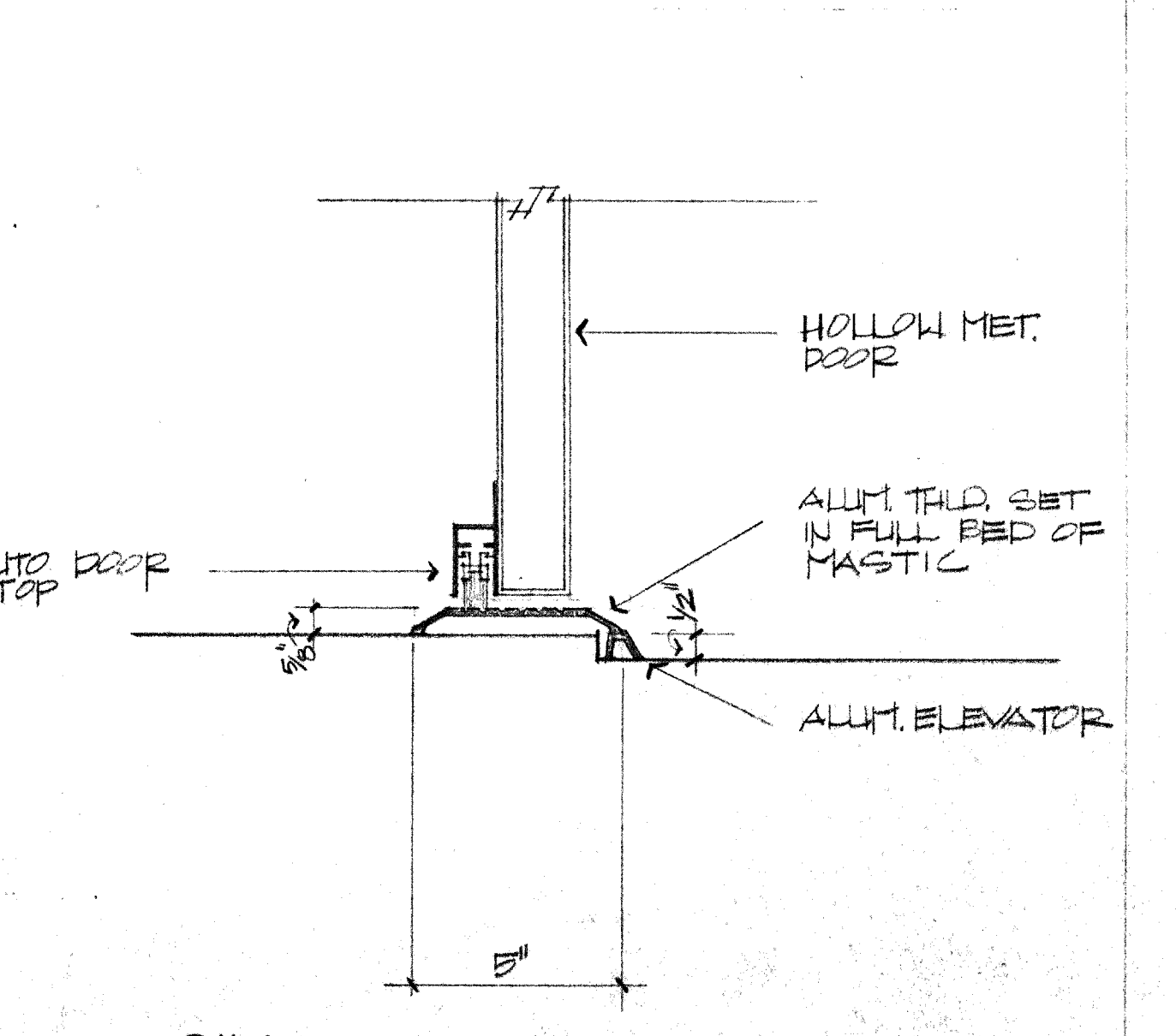
1216 HEAD
SCALE: 3/8" = 1'-0"
REF. DOOR SCHED.



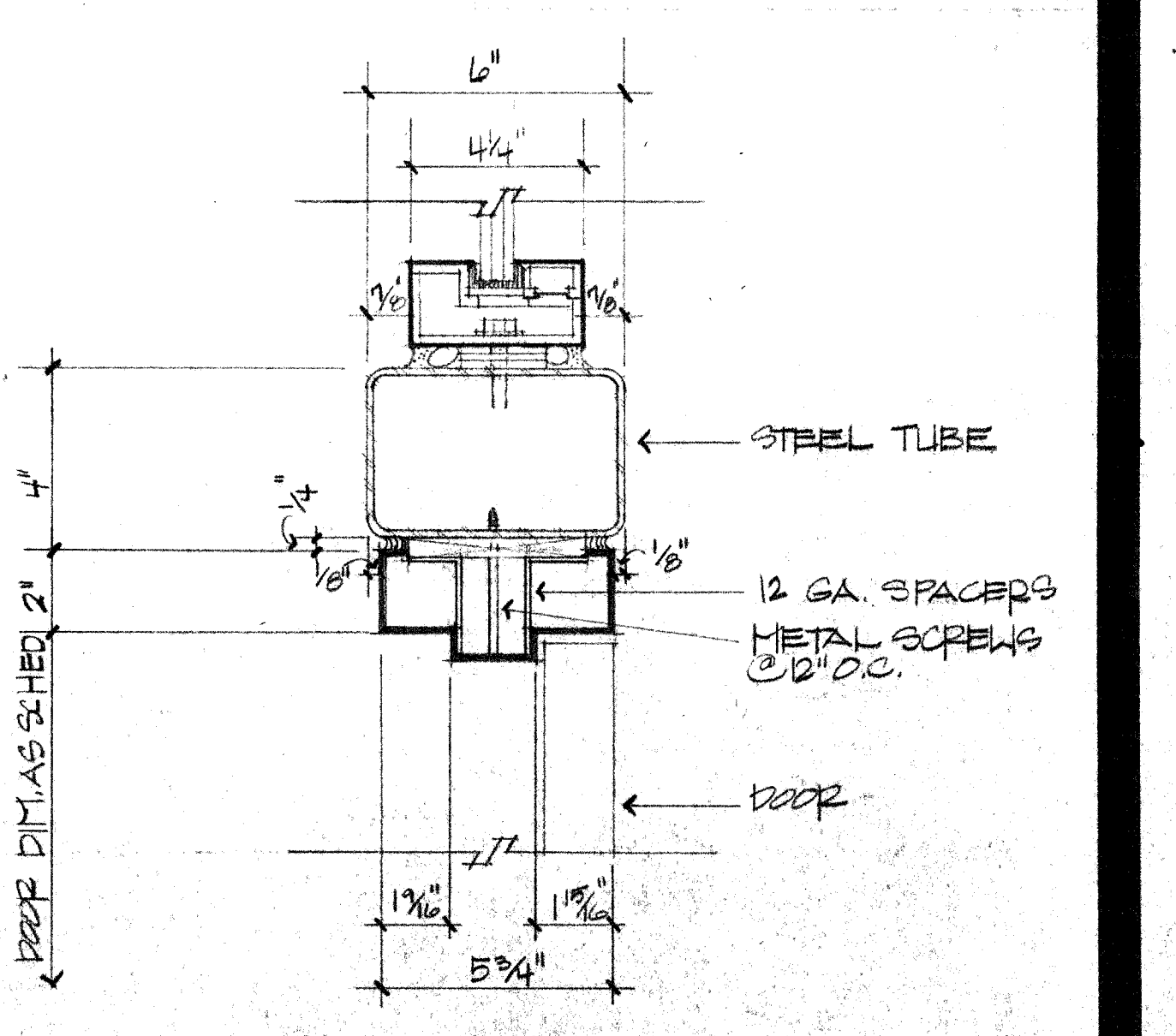
1217 JAMB
SCALE: 3/8" = 1'-0"
REF. DOOR SCHED.



1218 SILL
SCALE: 3/8" = 1'-0"
REF. DOOR SCHED.



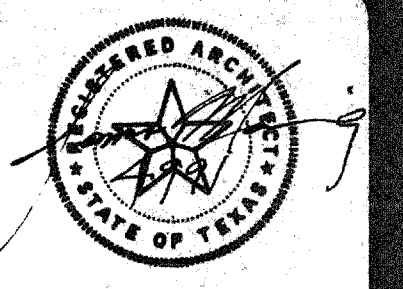
1219 SILL
SCALE: 3/8" = 1'-0"
REF. DOOR SCHED.



1220 JAMB
SCALE: 3/8" = 1'-0"
REF. DOOR SCHED.

SHEPHERD + BOYD
ARCHITECTS/PLANNERS & INTERIORS
6001 DOUGLAS SUITE 900
DALLAS, TEXAS 75226
TELEPHONE 214/691-8000

A NEW POLICE FACILITY FOR THE
TOWN OF ADDISON
4799 AIRPORT PARKWAY
ADDISON, TEXAS 75248



NO.	REVISIONS	DATE

DATE
JULY 12, 1982
JOB NO. 318

SHEET
A12