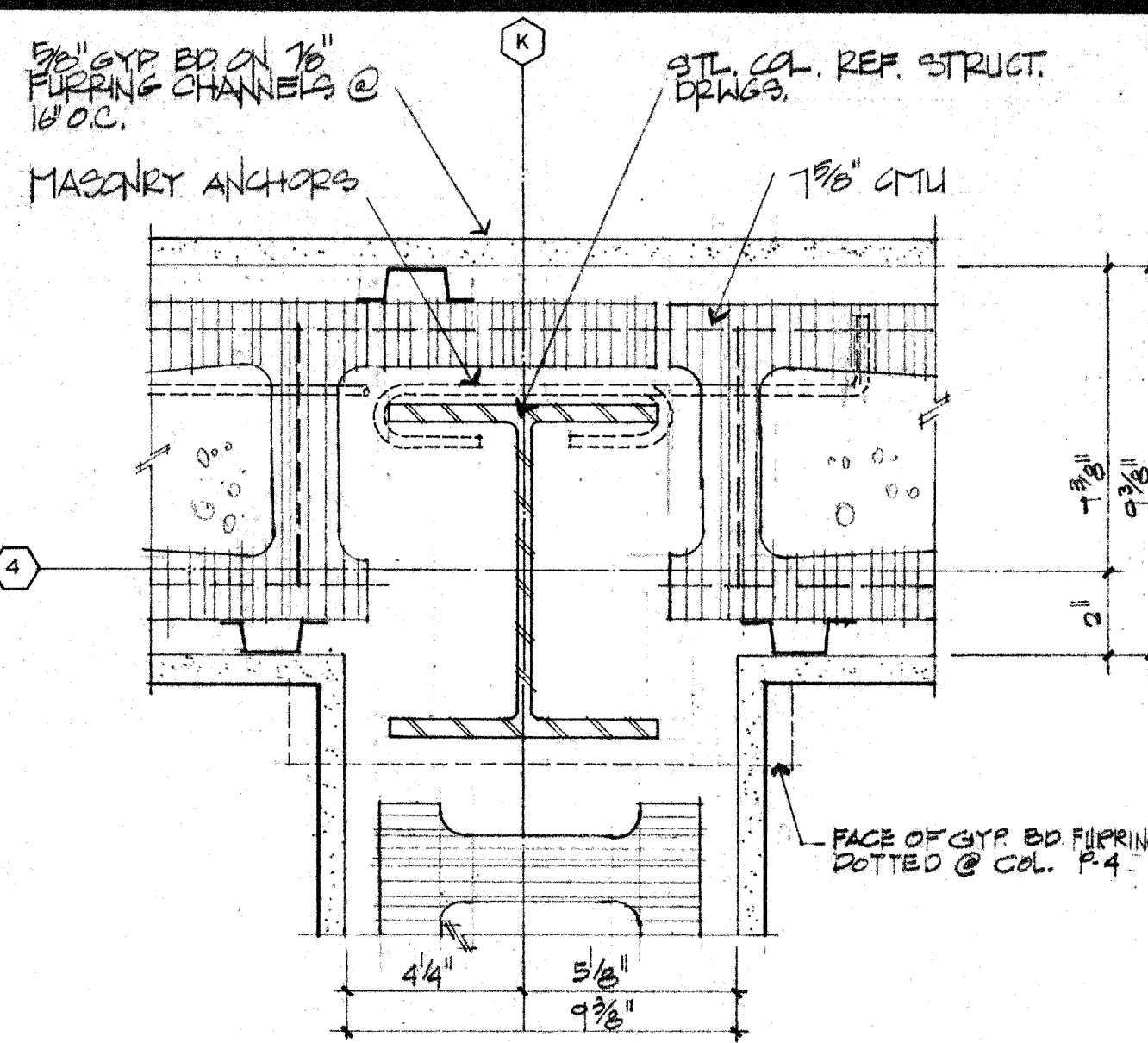
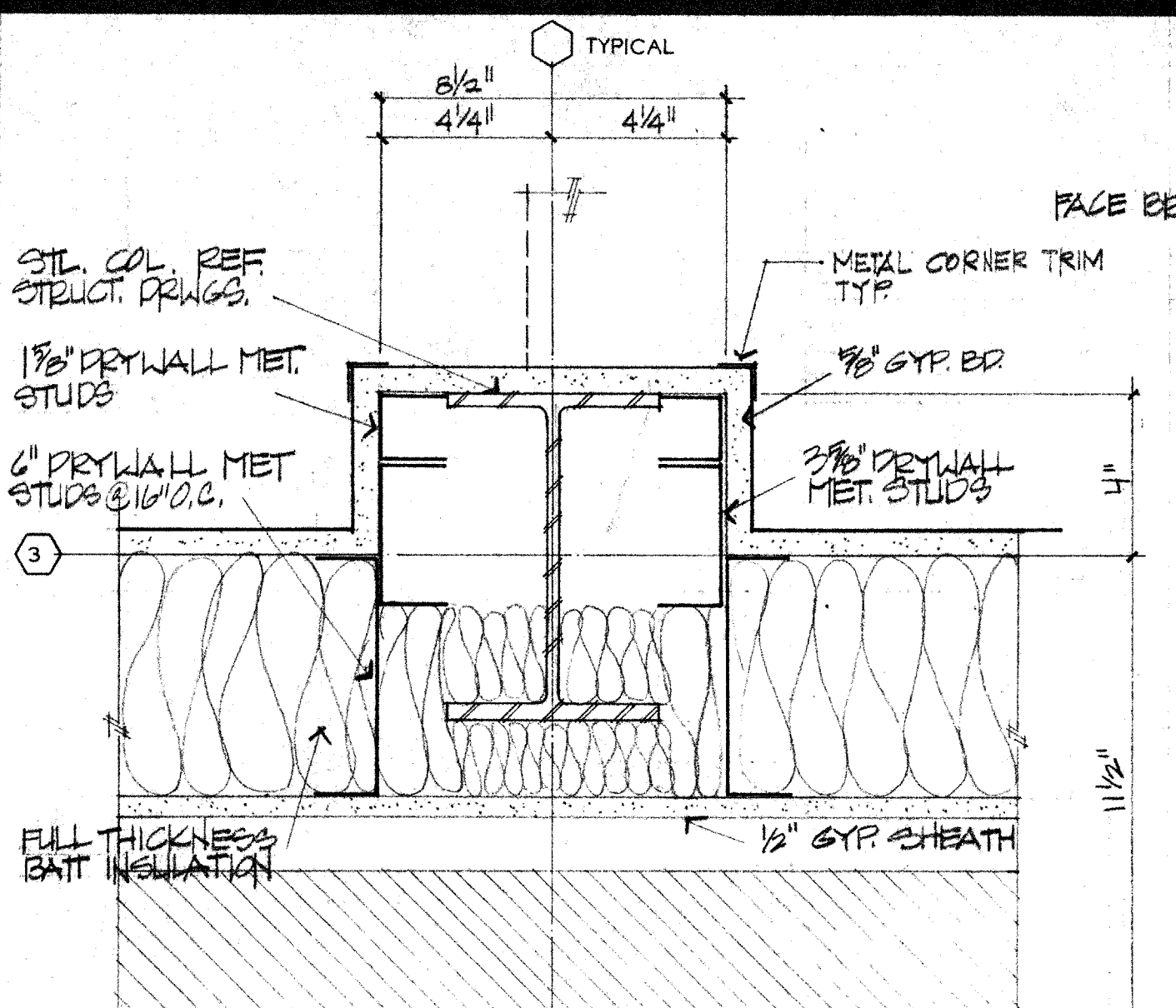


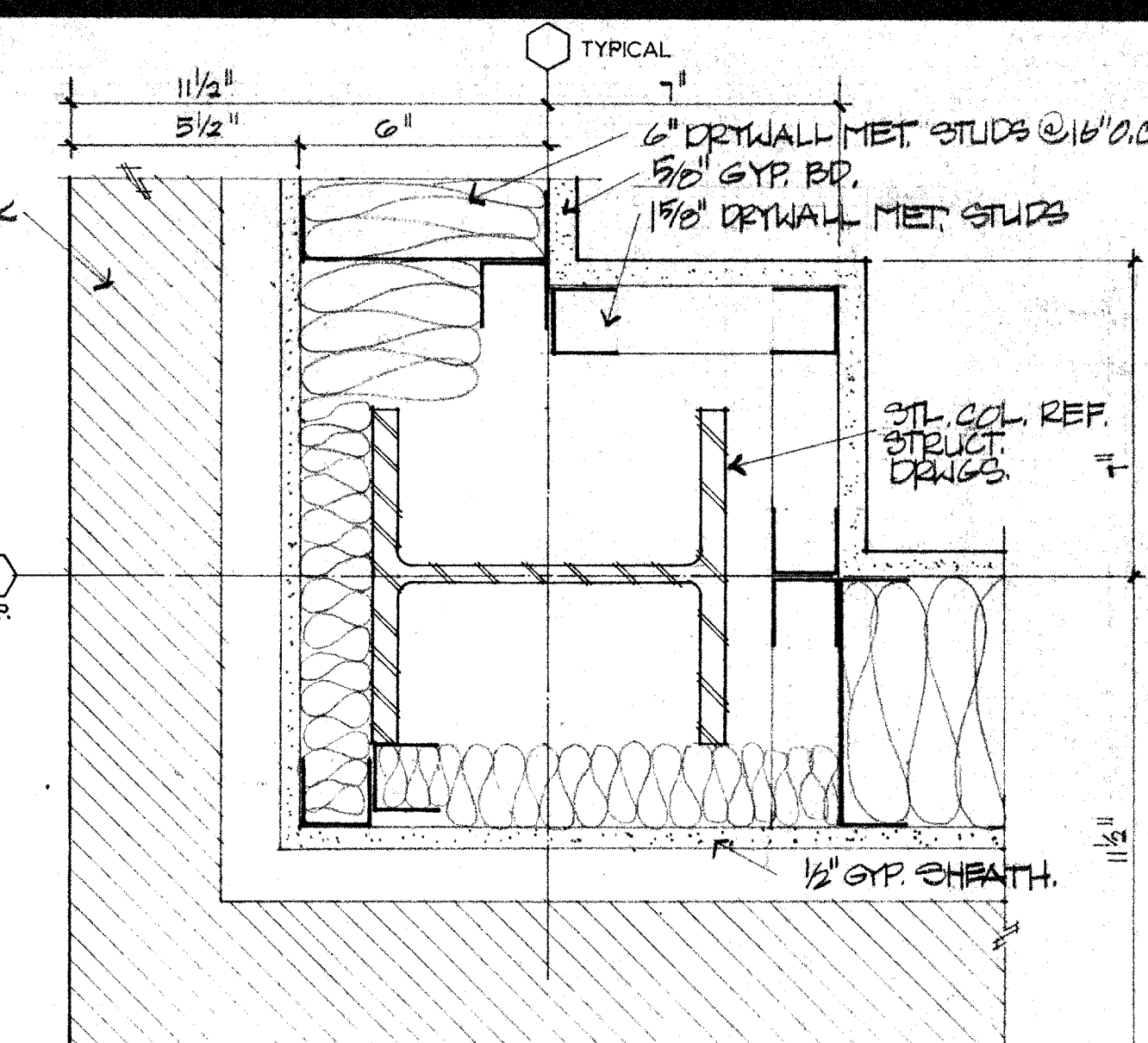
1301 DETAIL  
SCALE 3/4"=1'-0"  
REF. 201



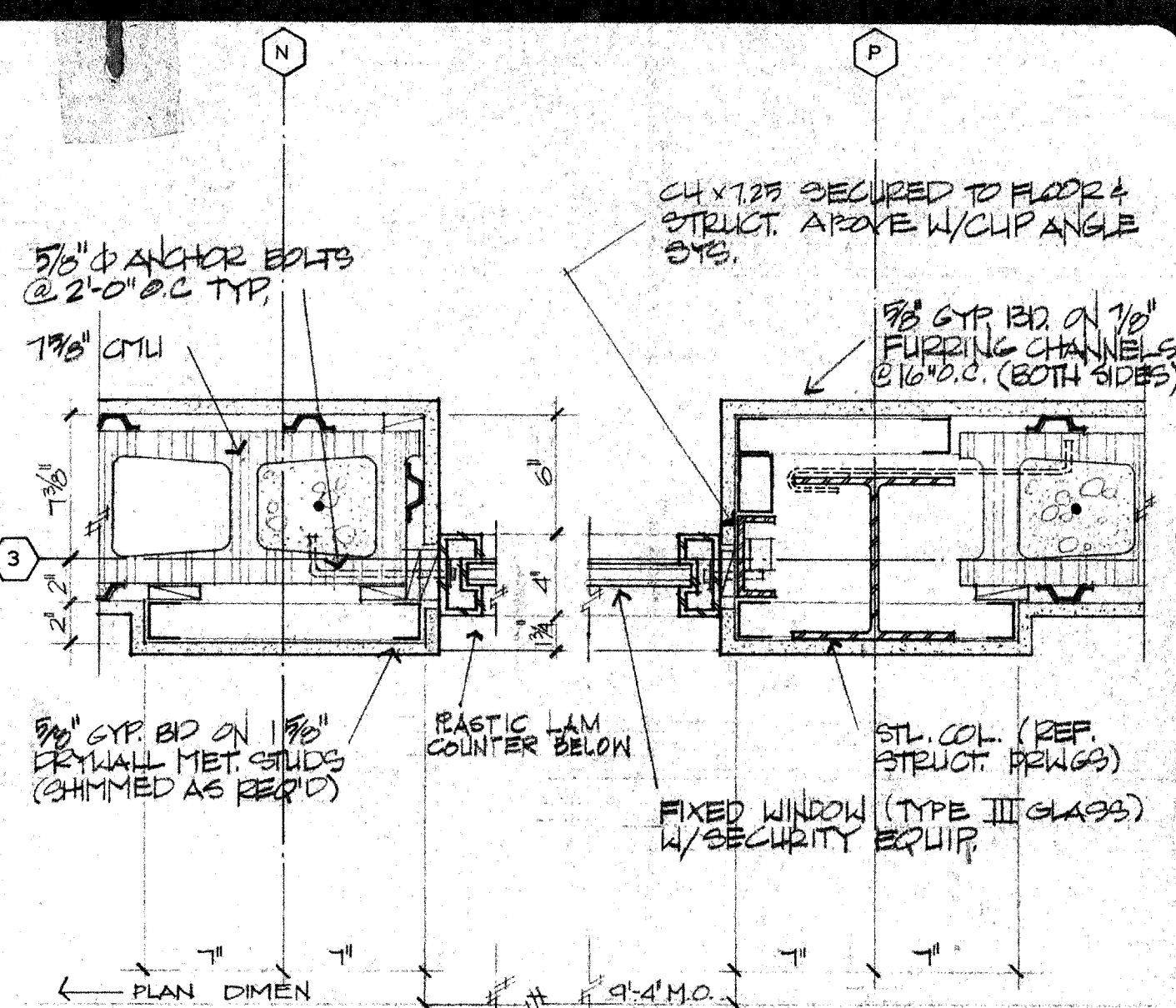
1302 DETAIL  
SCALE 3/4"=1'-0"  
REF. 201



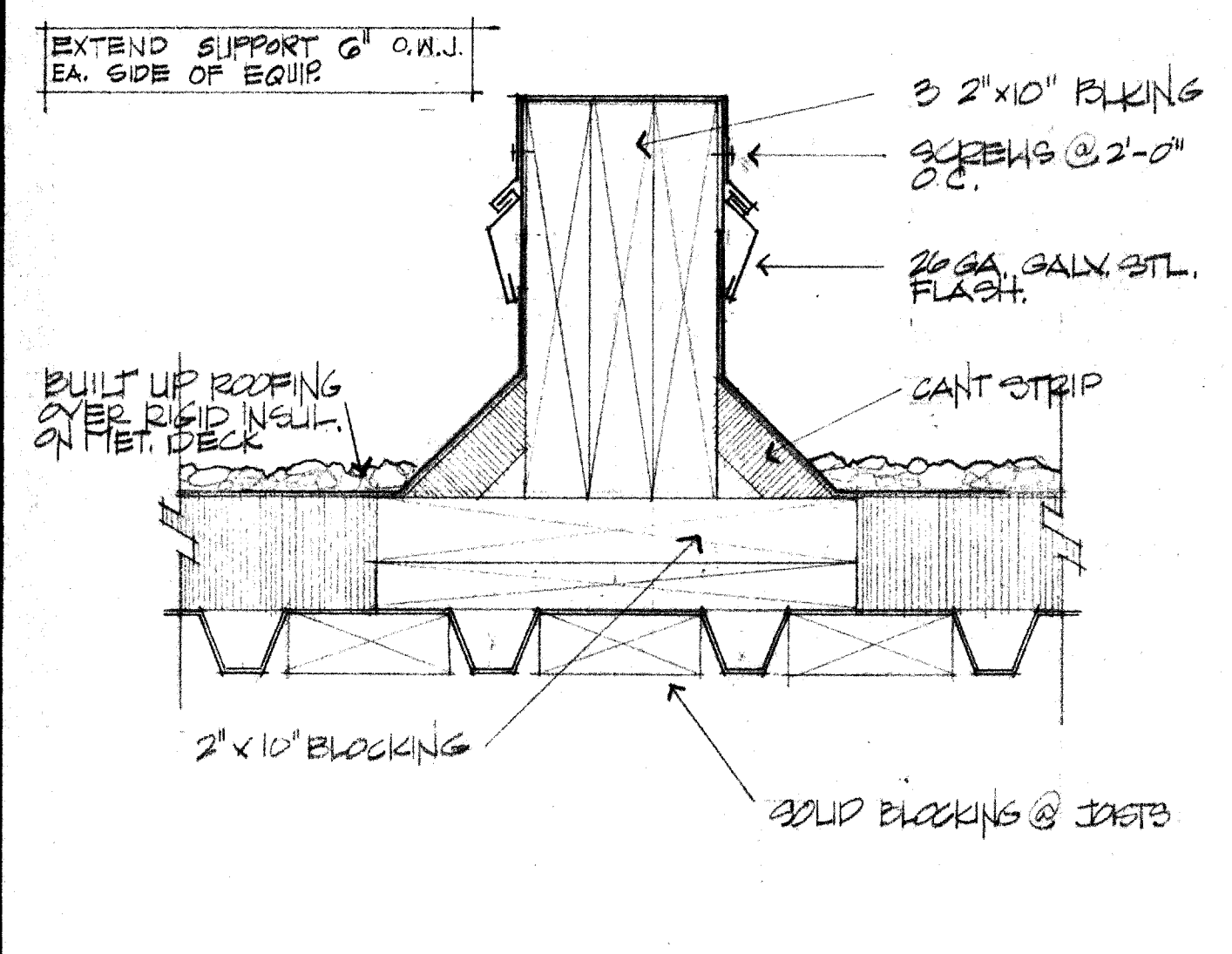
1303 DETAIL  
SCALE 3/4"=1'-0"  
REF. 201



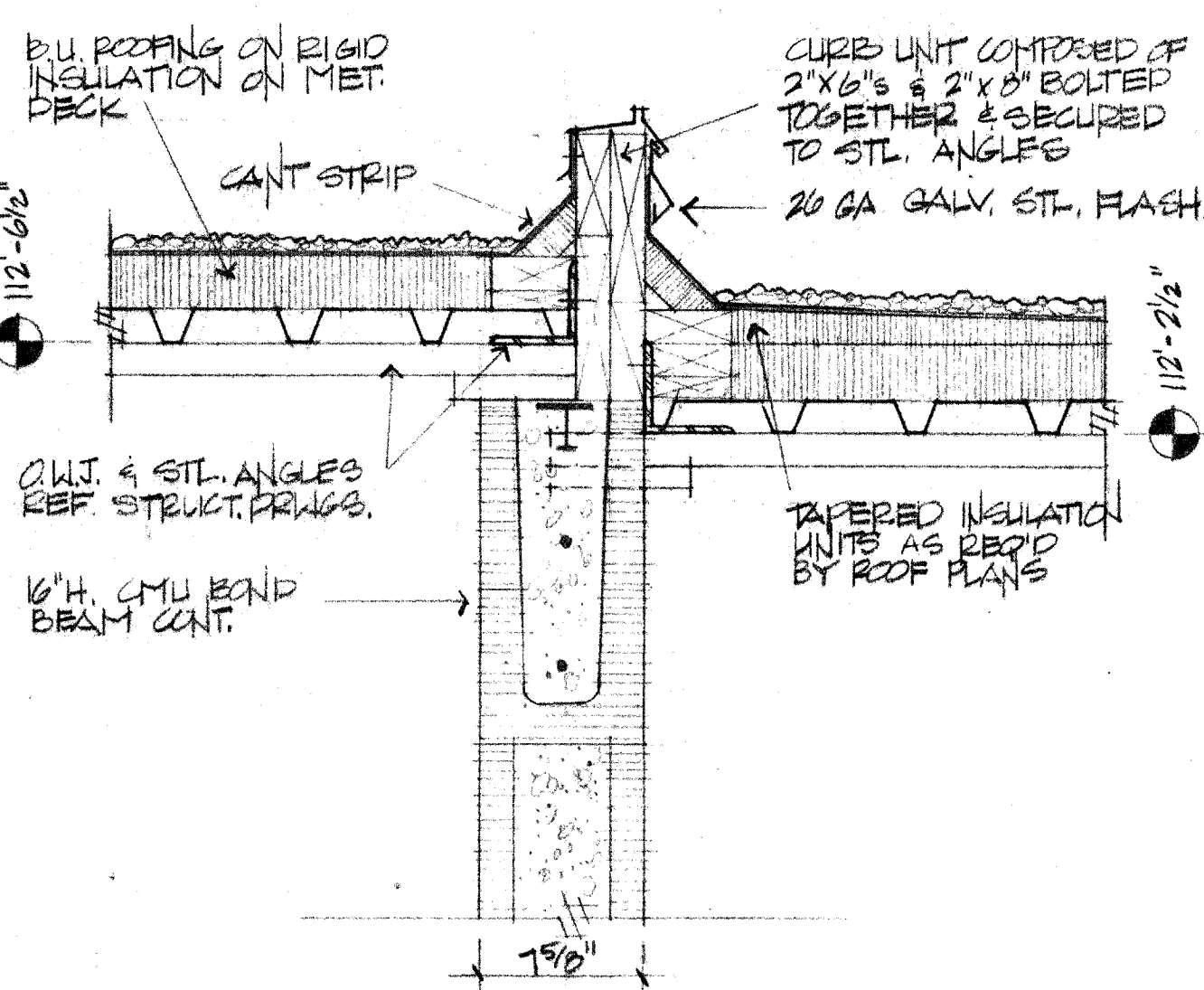
1304 DETAIL  
SCALE 3/4"=1'-0"  
REF. 1001, 1002



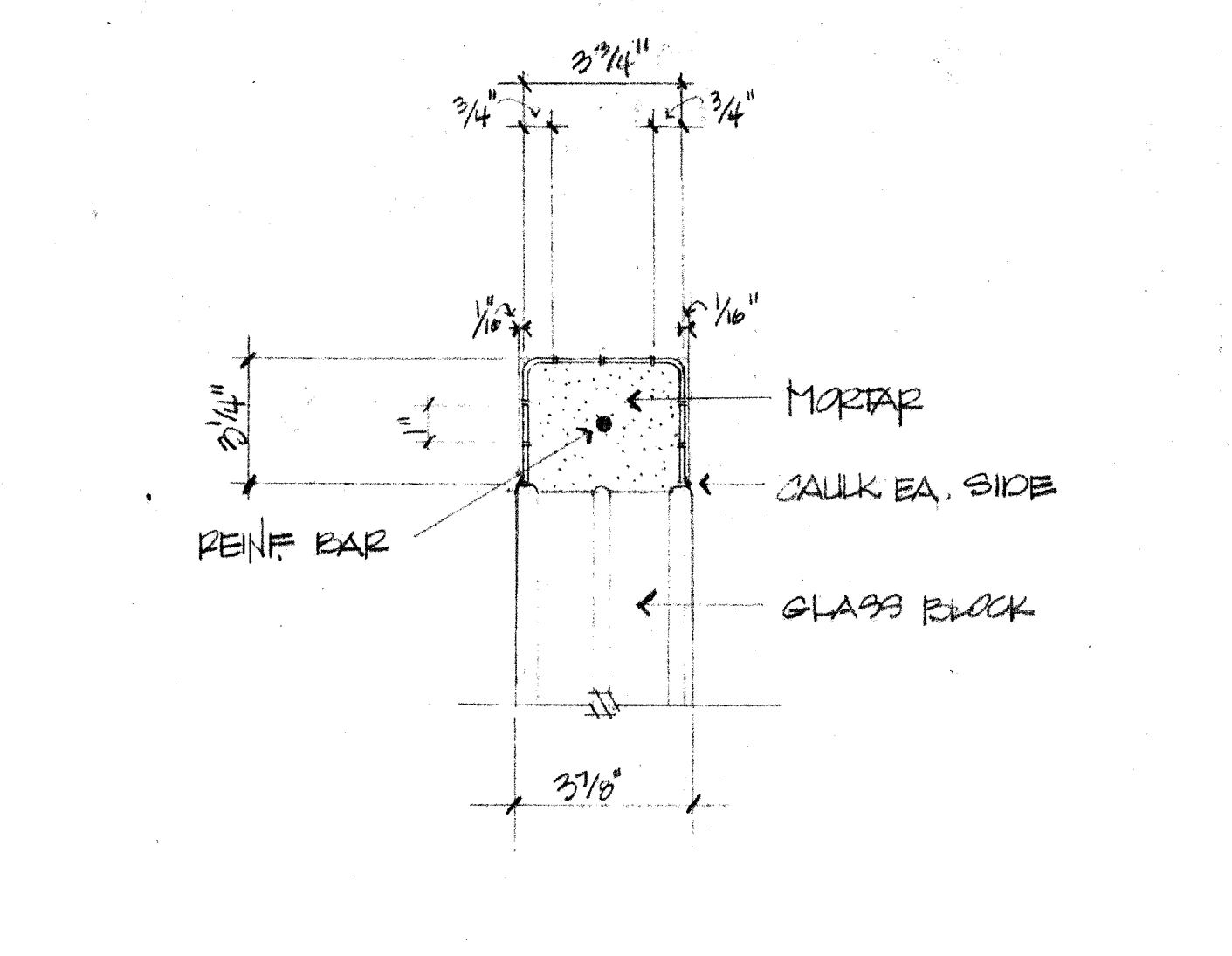
1305 DETAIL  
SCALE 3/4"=1'-0"  
REF. 201



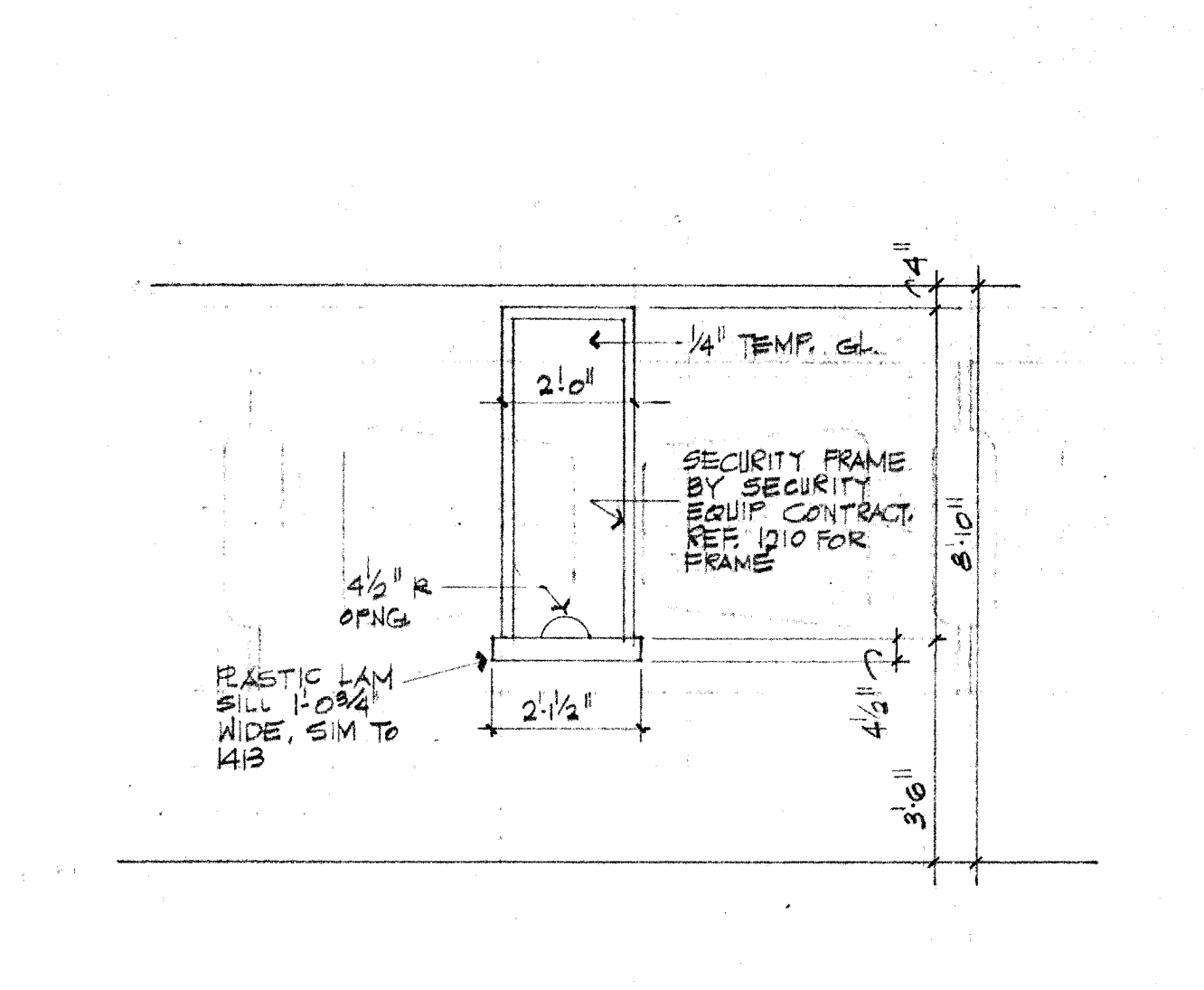
1306 DETAIL  
SCALE 3/4"=1'-0"  
REF. 301



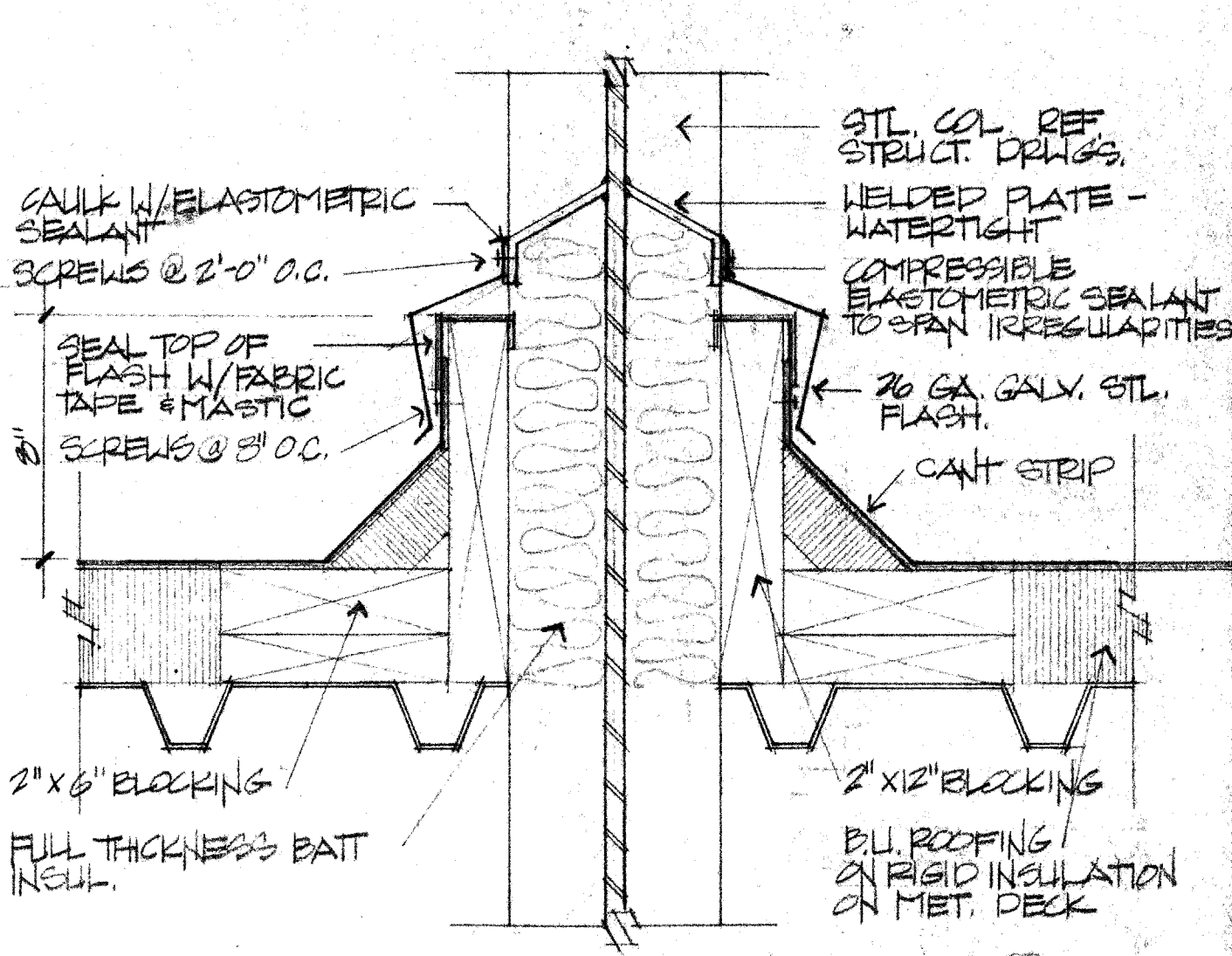
1307 DETAIL  
SCALE 1 1/2"=1'-0"  
REF. 603



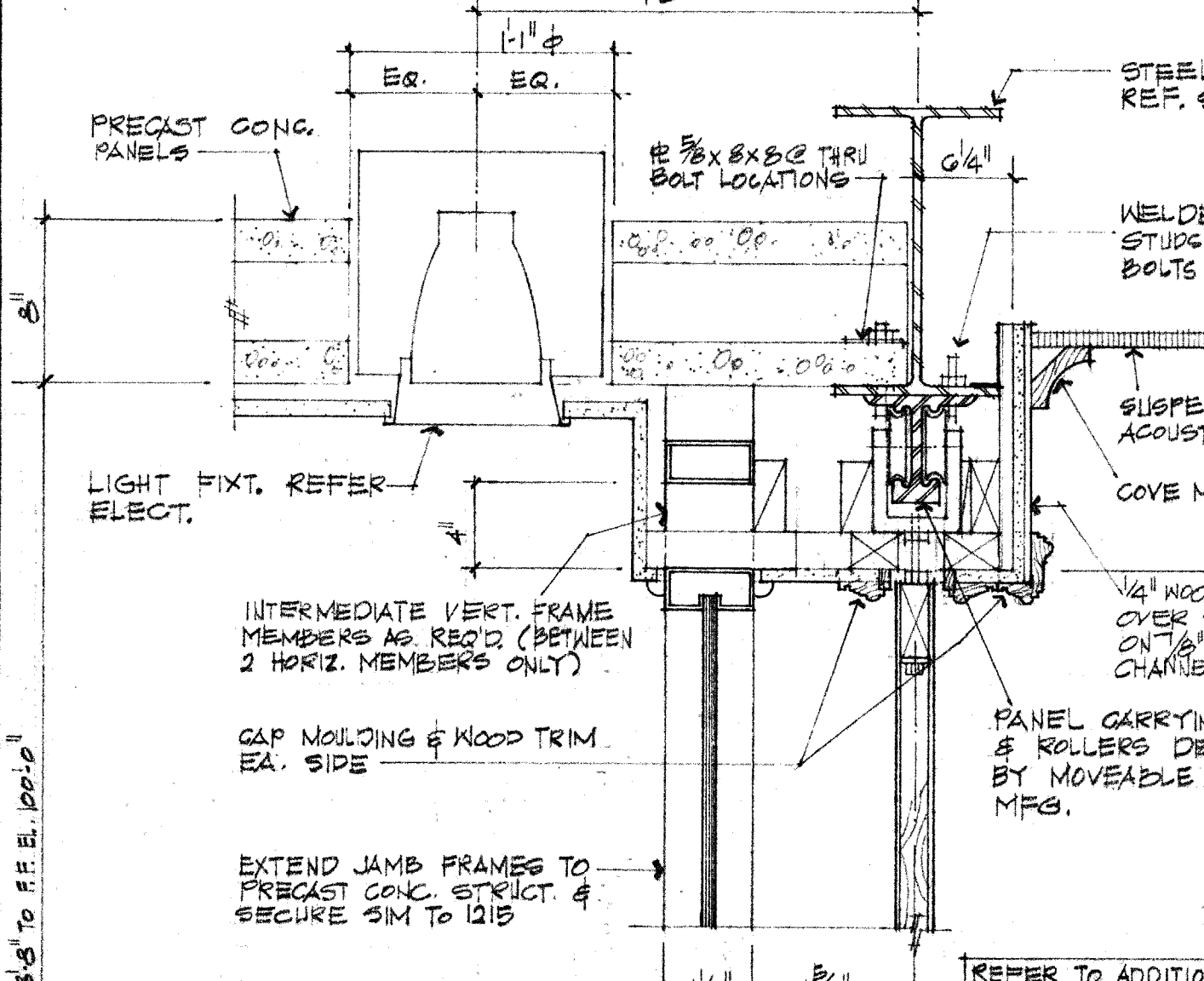
1308 DETAIL  
SCALE 3/4"=1'-0"  
REF. 819



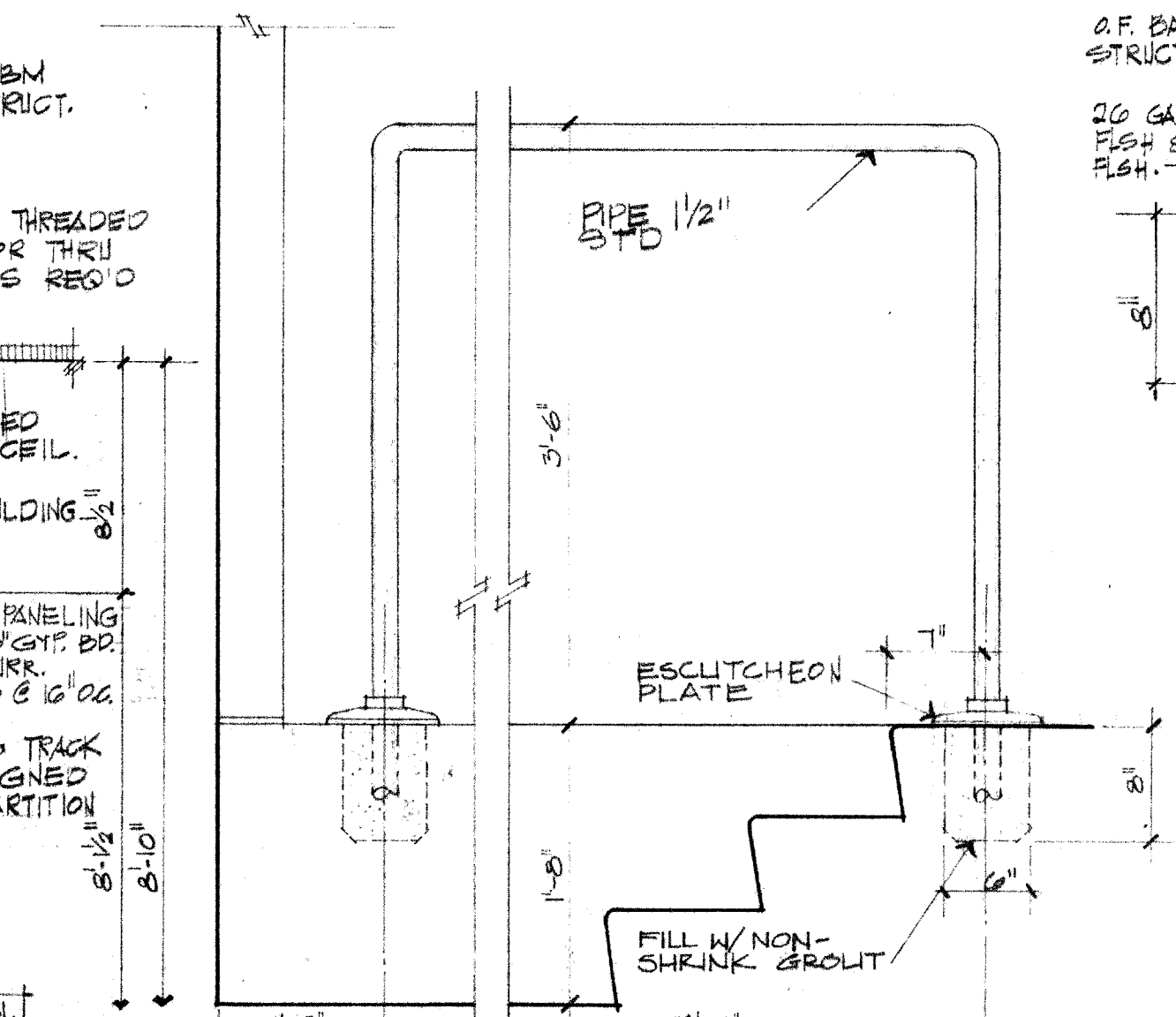
1309 DETAIL  
SCALE 3/4"=1'-0"  
REF. NOTES SH. 2



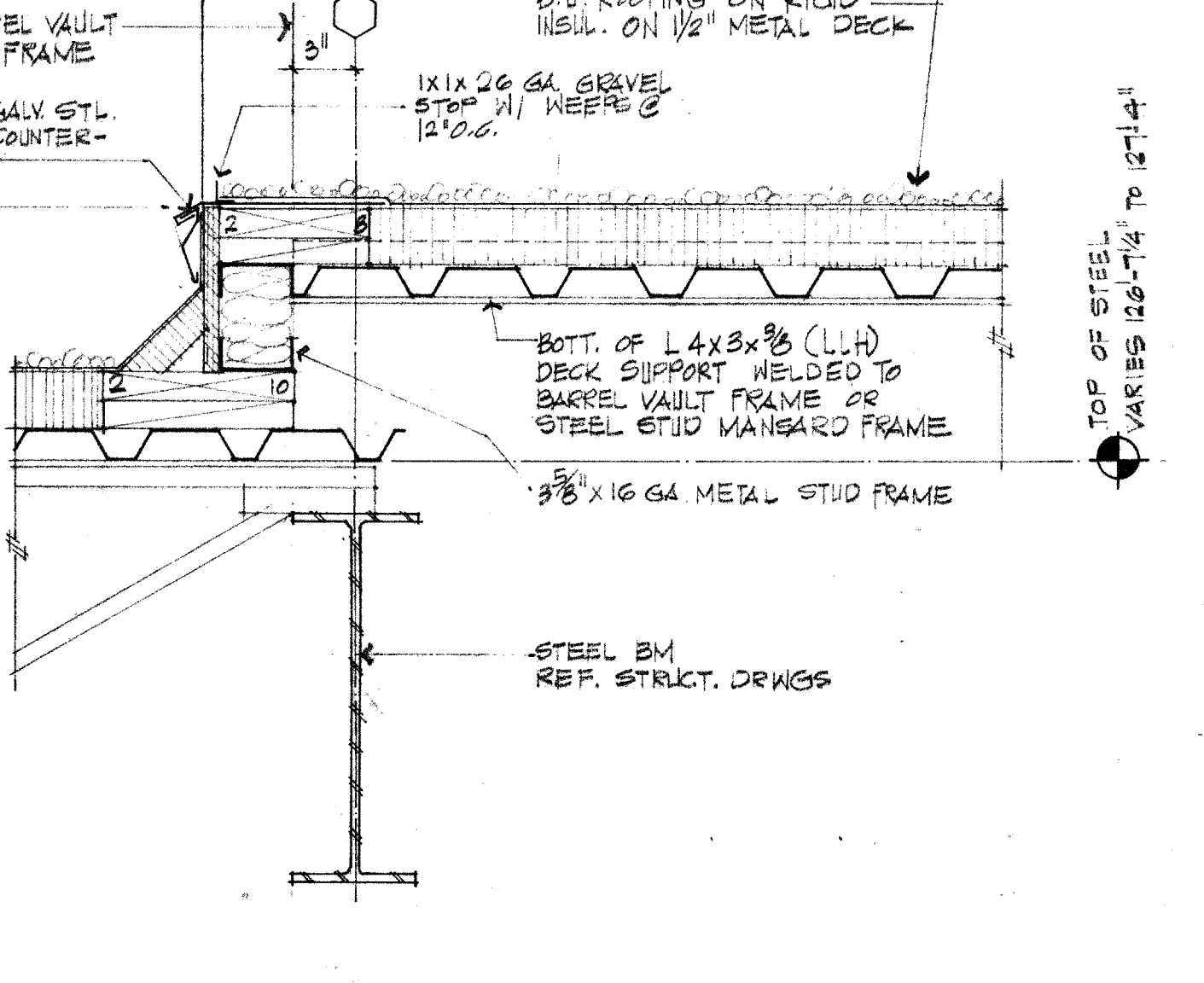
1310 DETAIL  
SCALE 3/4"=1'-0"  
REF. 509



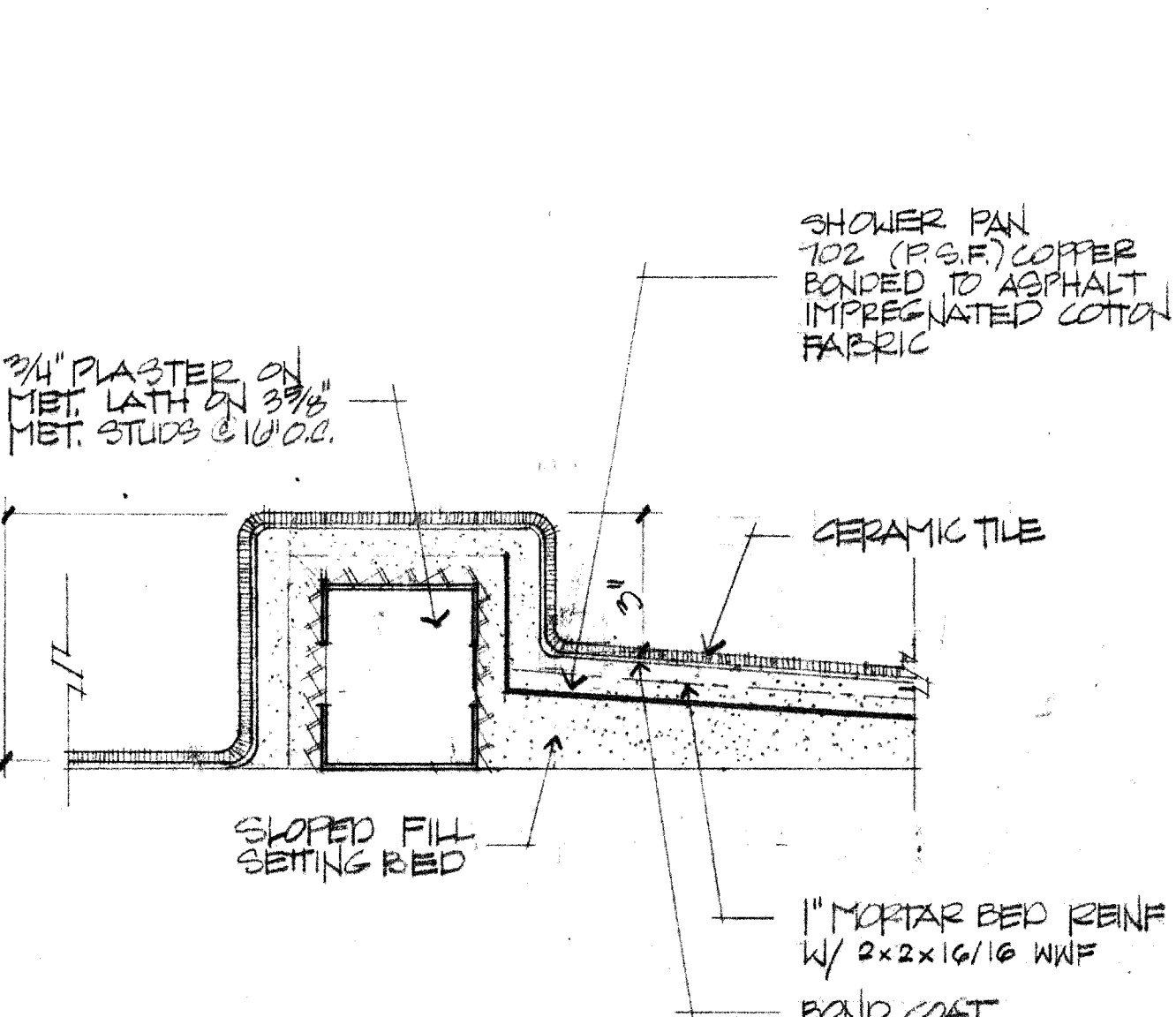
1311 DETAIL  
SCALE 1 1/2"=1'-0"  
REF. 802



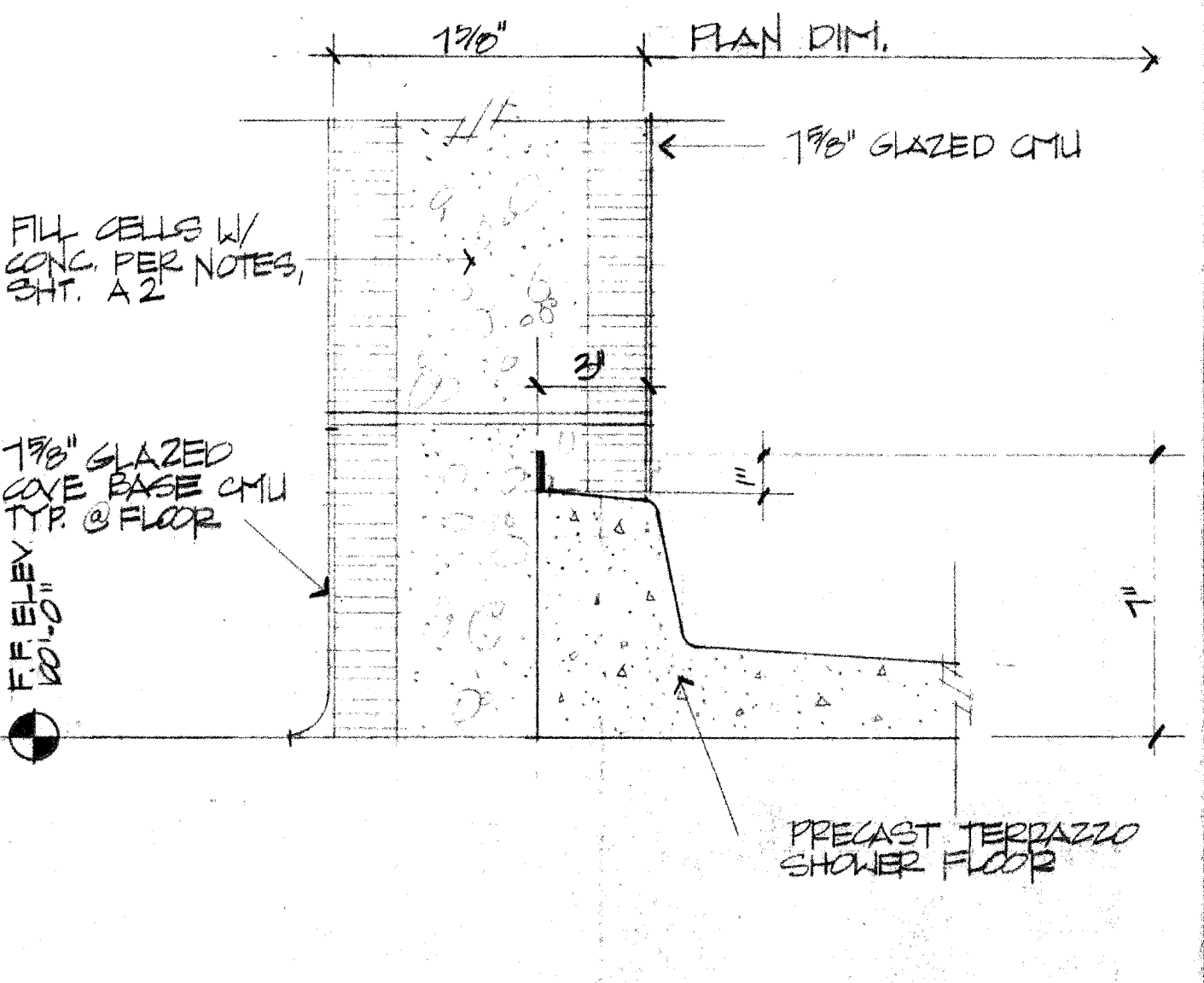
1312 HANDRAIL ELEVATION  
SCALE: 1"=1'-0"  
REF. 201



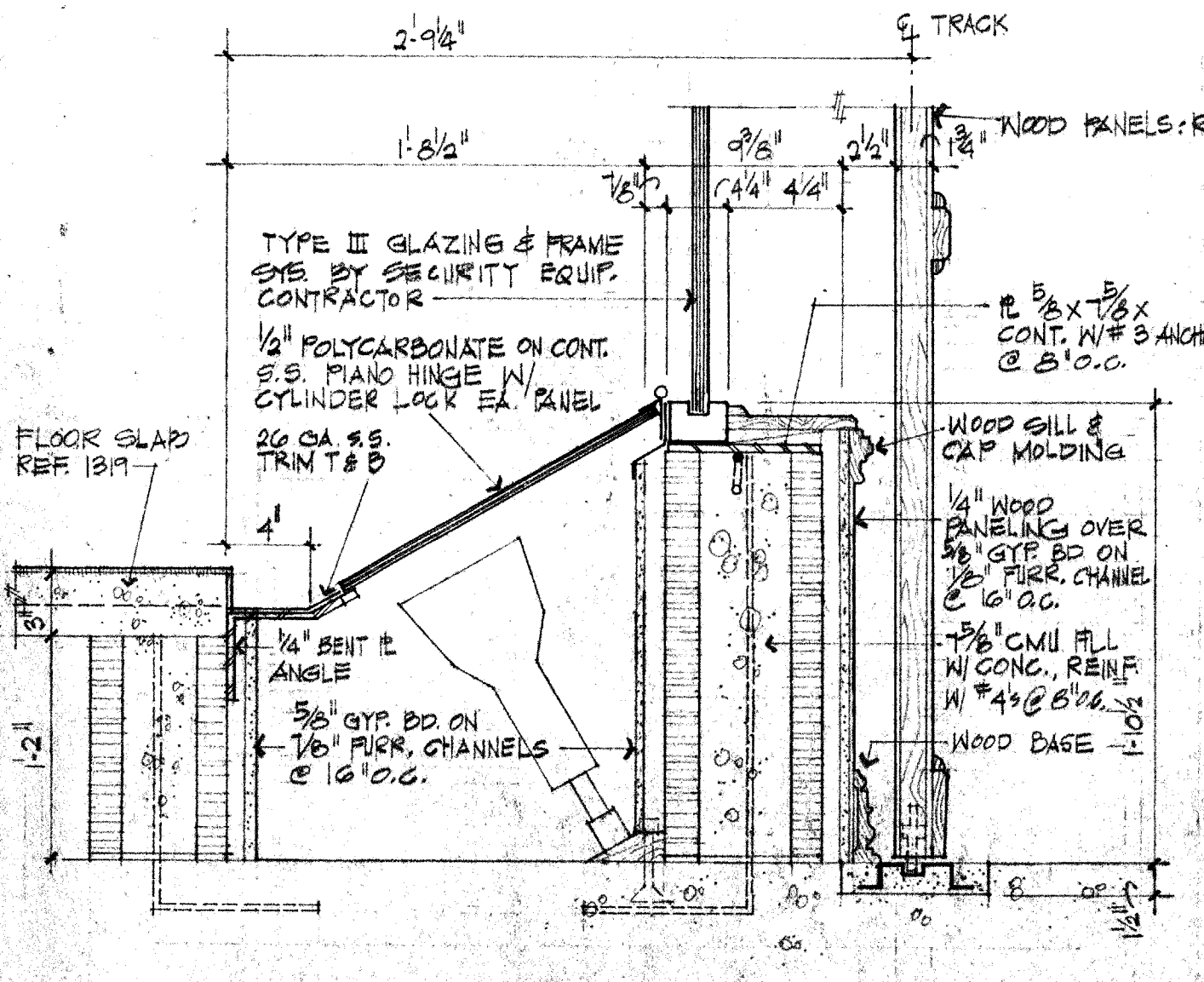
1313 DETAIL  
SCALE 3/4"=1'-0"  
REF. 510



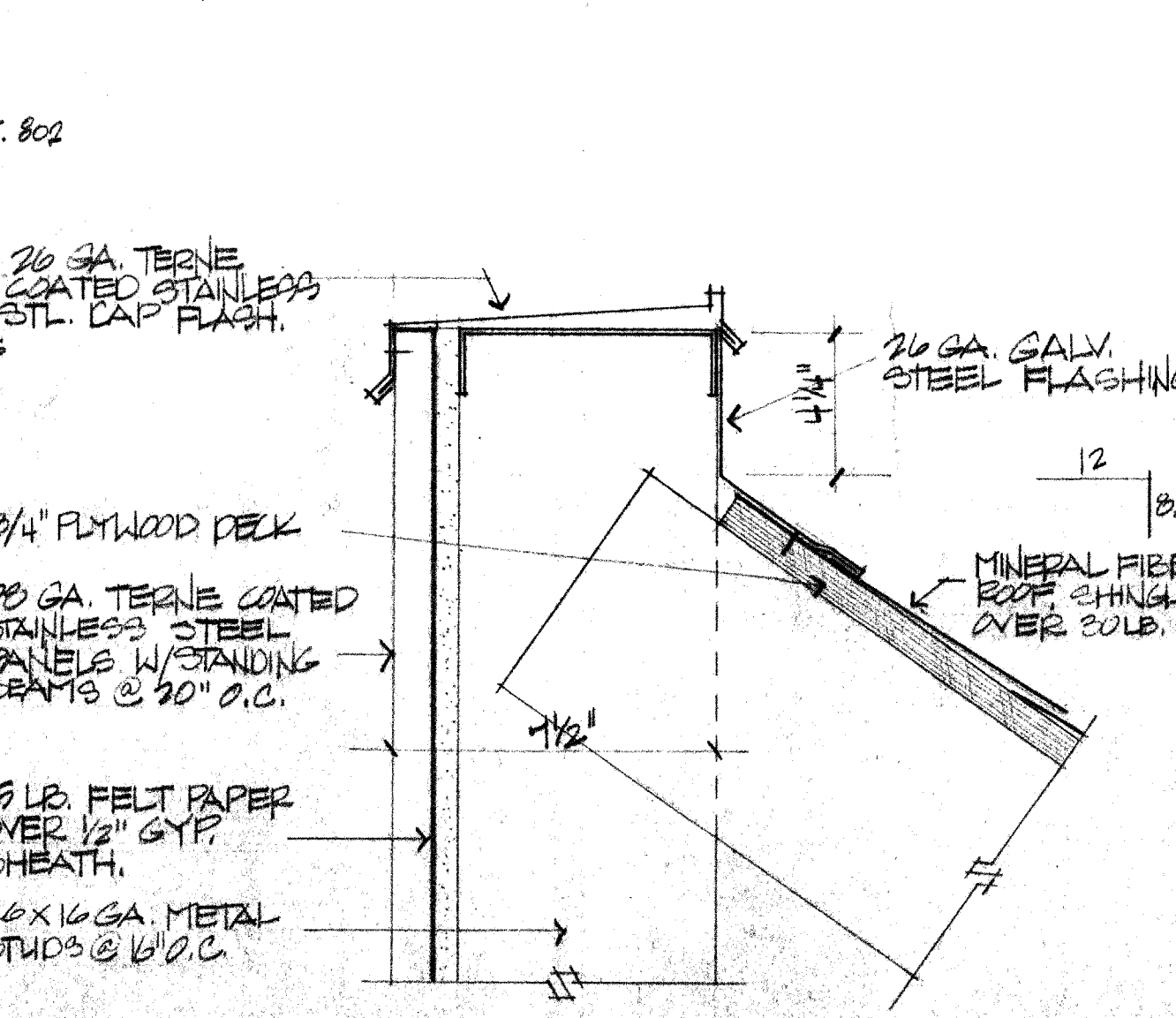
1314 SILL  
SCALE 3/4"=1'-0"  
REF. 1003



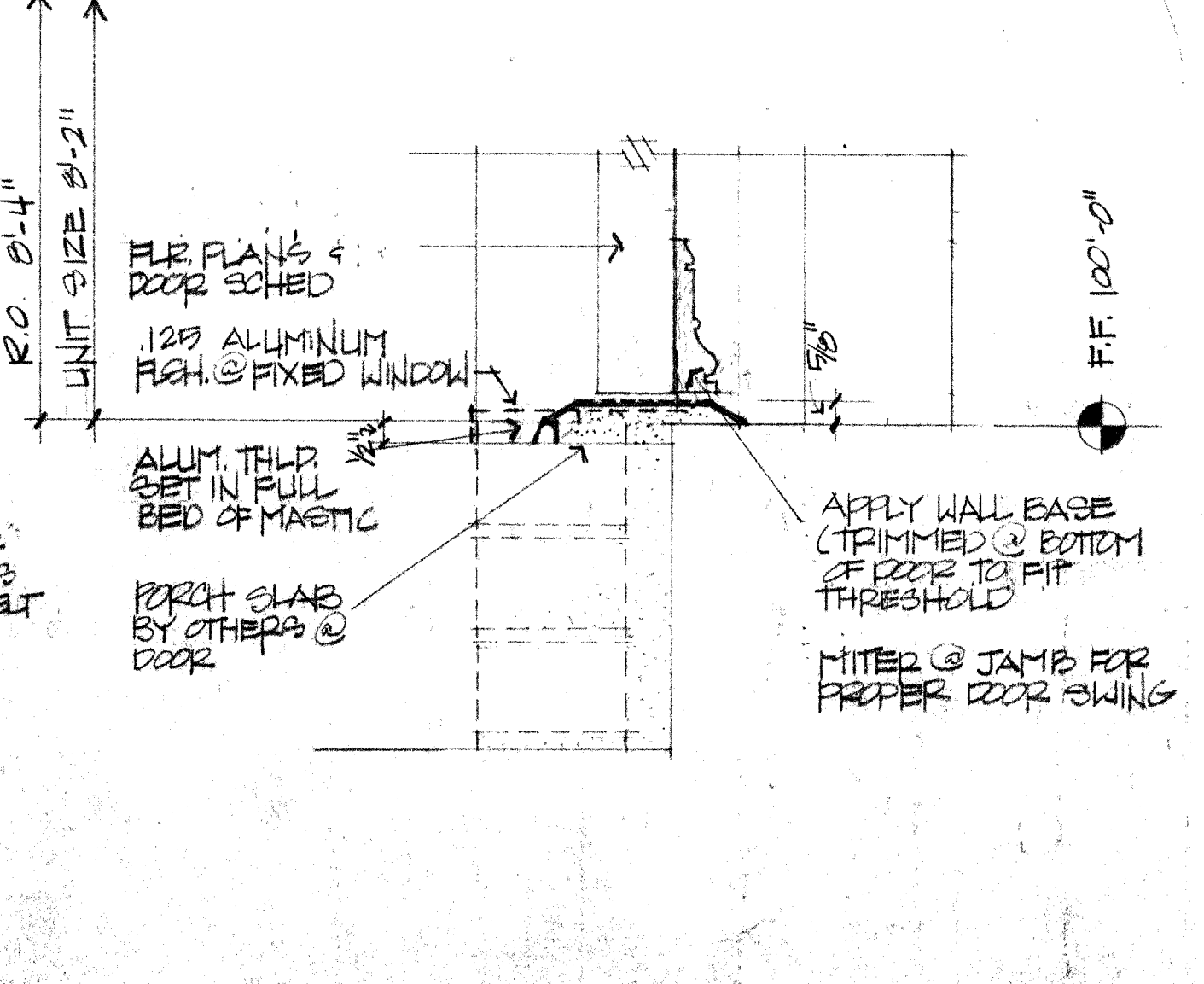
1315 DETAIL  
SCALE 3/4"=1'-0"  
REF. ROOM FINISH SCHED.



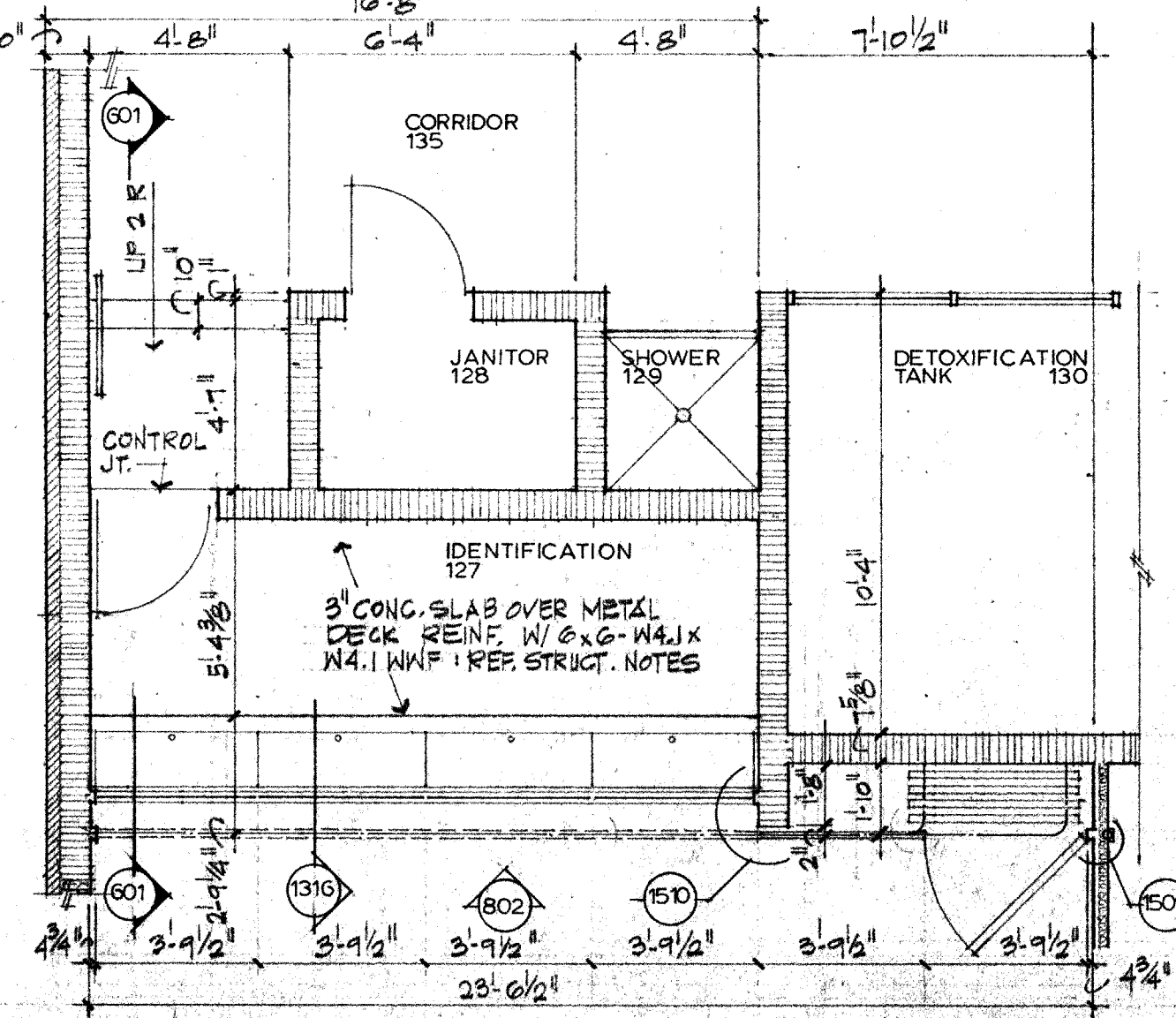
1316 DETAIL  
SCALE 1 1/2"=1'-0"  
REF. 1319



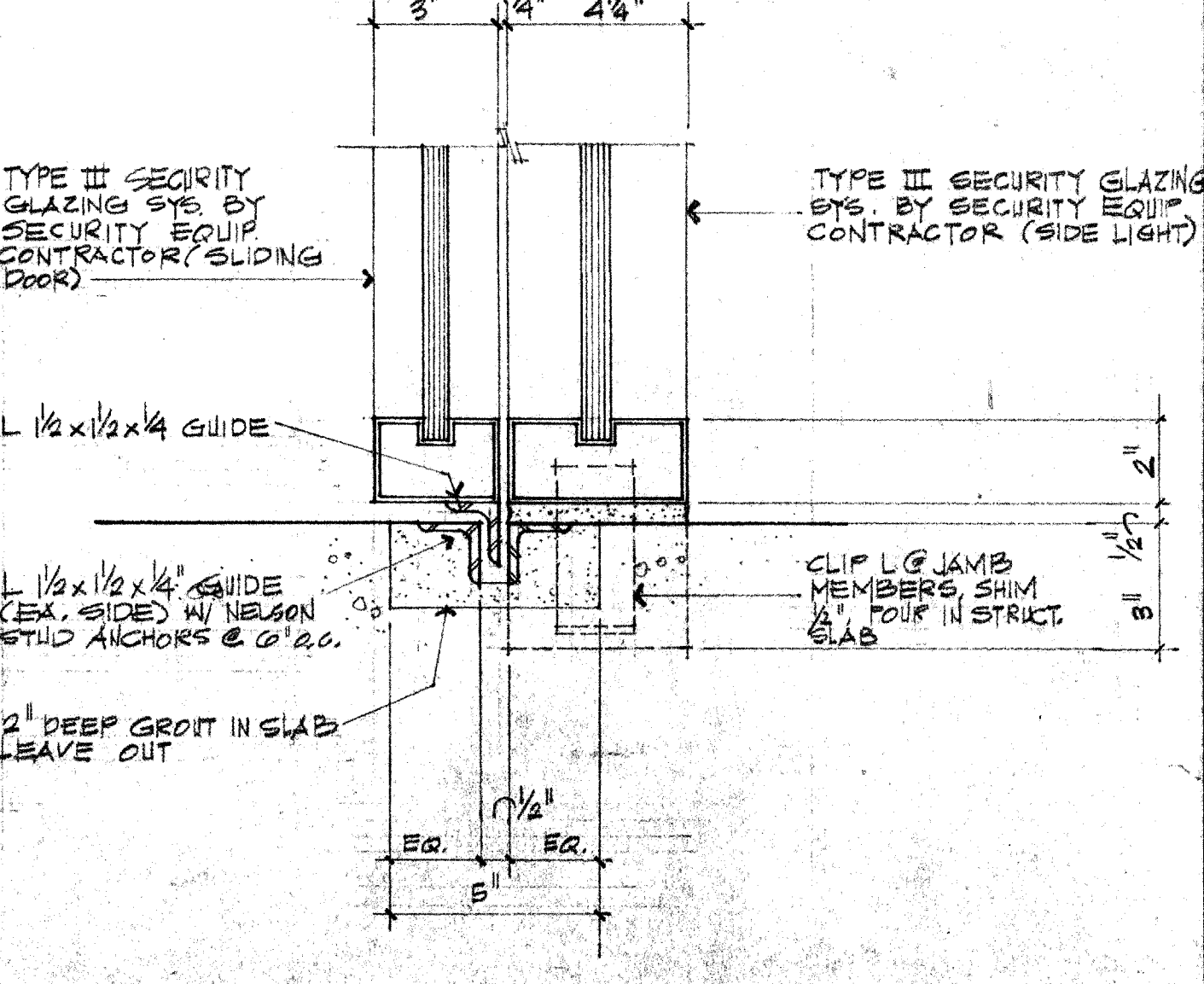
1317 DETAIL  
SCALE 3/4"=1'-0"  
REF. 707



1318 SILL  
SCALE 3/4"=1'-0"  
REF. DOOR SCHED.



1319 DETAIL  
SCALE 1/4"=1'-0"  
REF. 201



1320 DETAIL  
SCALE 3/4"=1'-0"  
REF. DOOR SCHED.

**SHEPHERD + BOYD**  
ARCHITECTS/PLANNERS & INTERIORS  
8235 DOUGLAS BUILDING  
SUITE 900  
DALLAS, TEXAS 75203  
TELEPHONE 214/681-3000

A NEW POLICE FACILITY FOR THE  
**TOWN OF ADDISON**  
4799 AIRPORT PARKWAY  
ADDISON, TEXAS 75248



NO.	DATE	DESCRIPTION

DATE  
JULY 12 1982  
JOB NO. 318

**SHEET**  
**A13**