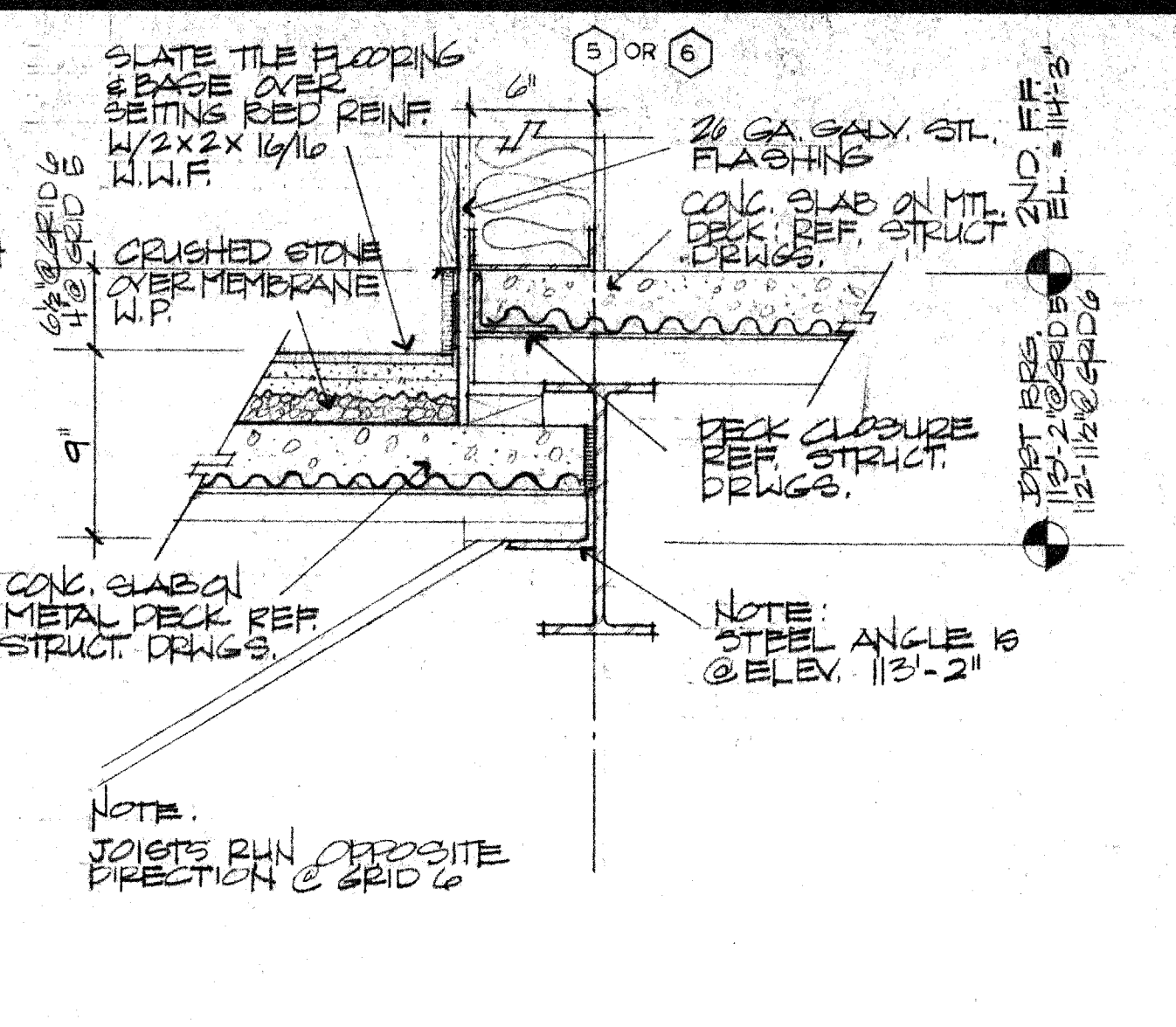
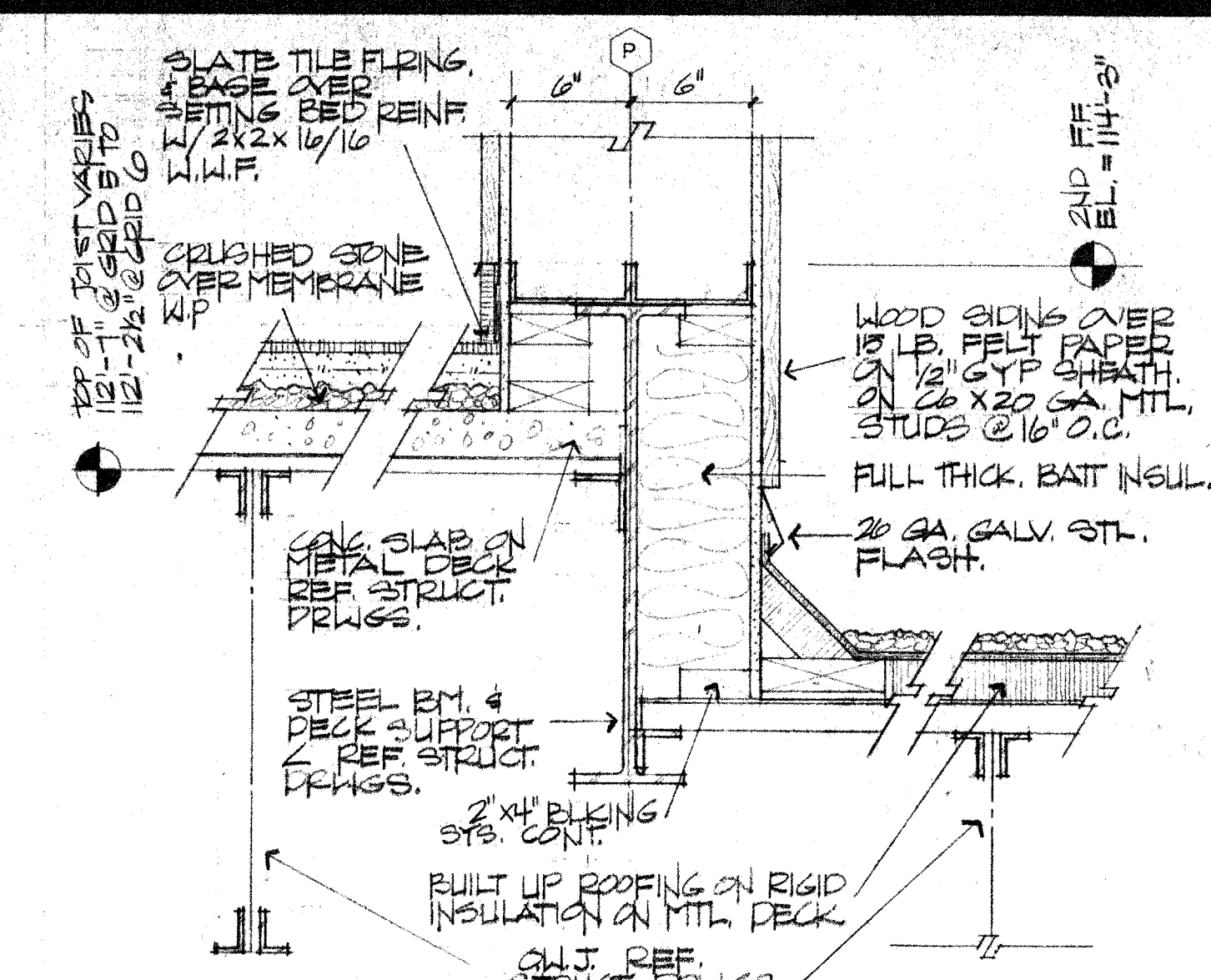


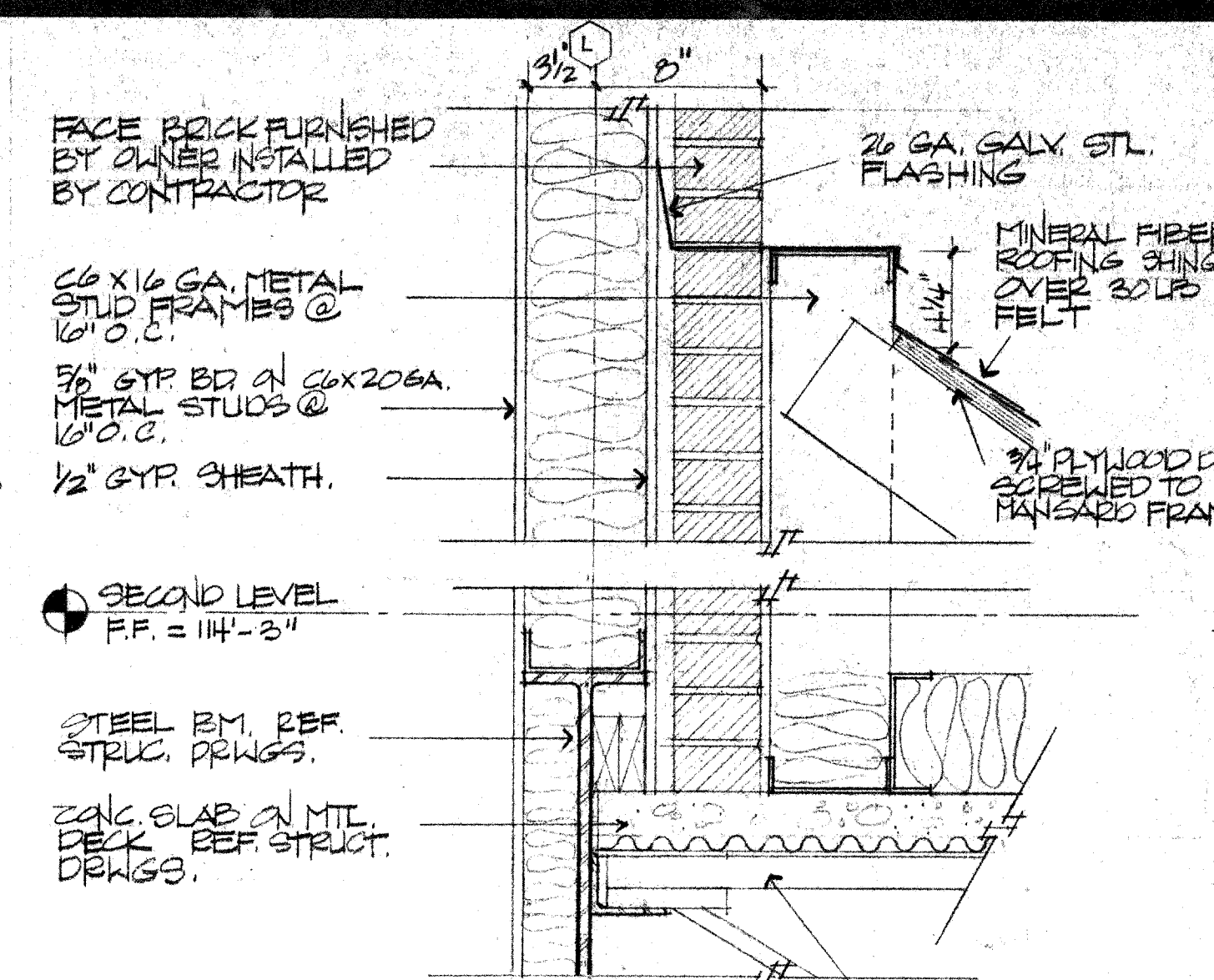
1401 DETAIL SCALE 1 1/2" = 1'-0" REF. 301



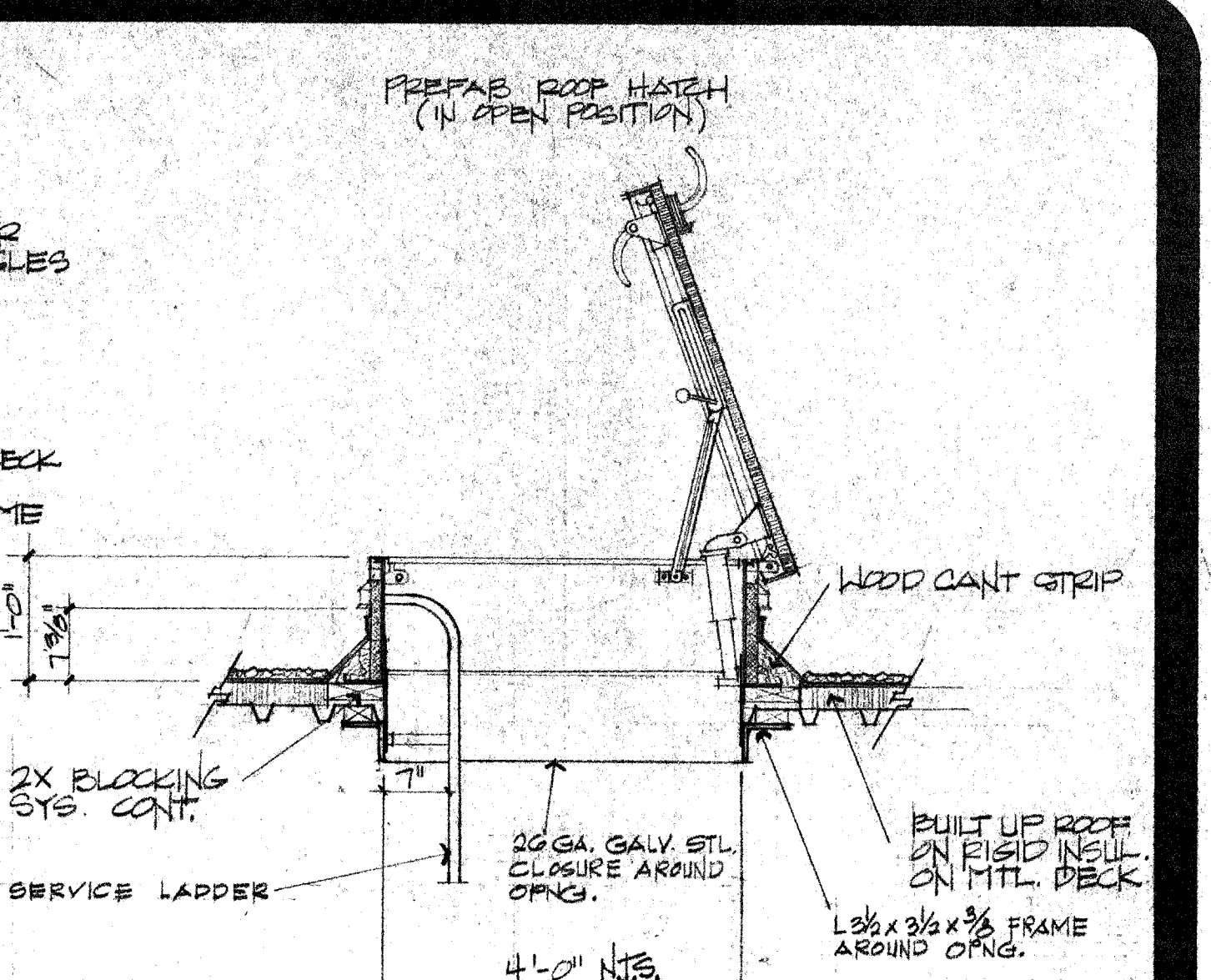
1402 DETAIL SCALE 1 1/2" = 1'-0" REF. 301



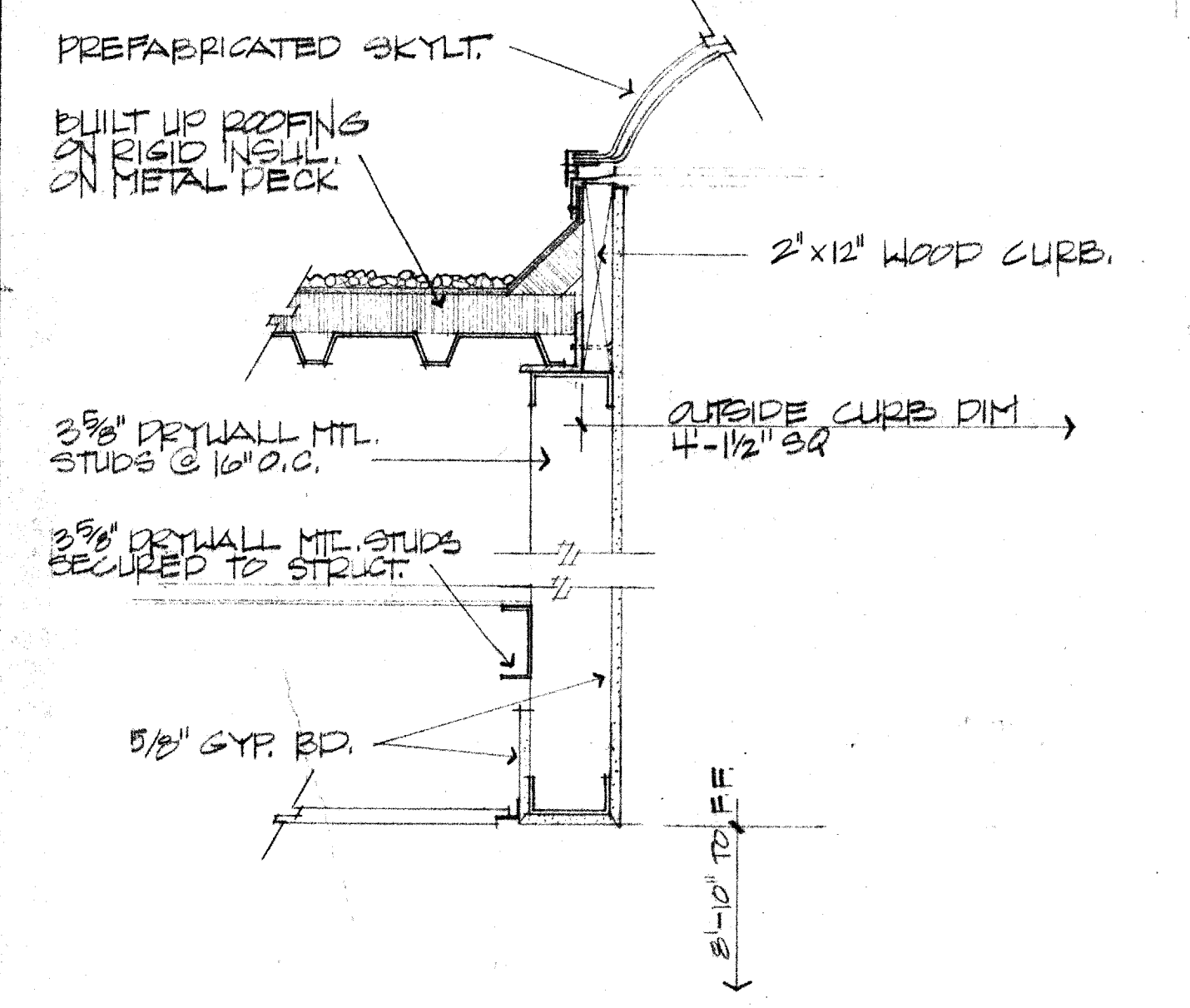
1403 DETAIL SCALE 1 1/2" = 1'-0" REF. 301



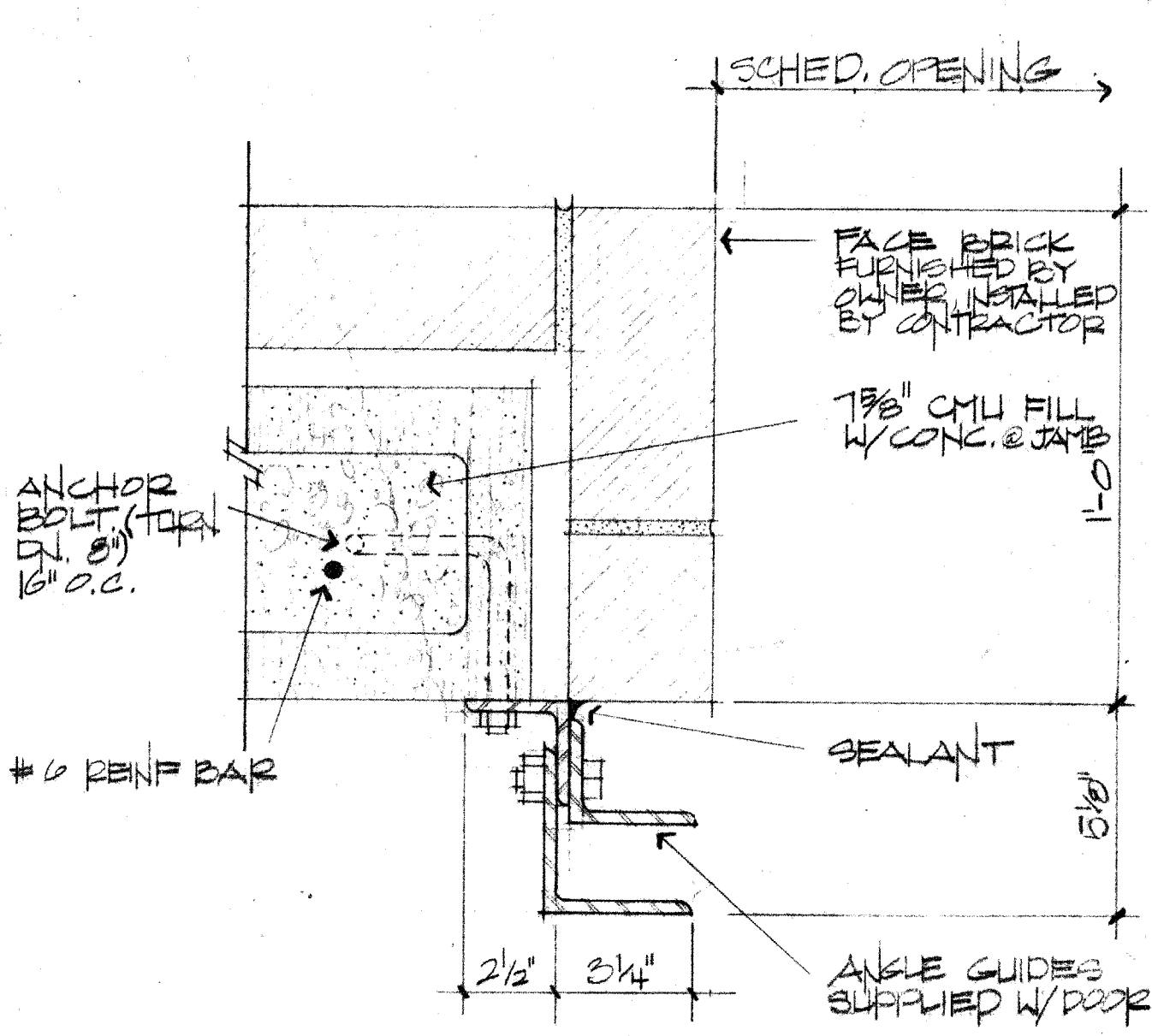
1404 DETAIL SCALE 1 1/2" = 1'-0" REF. 902



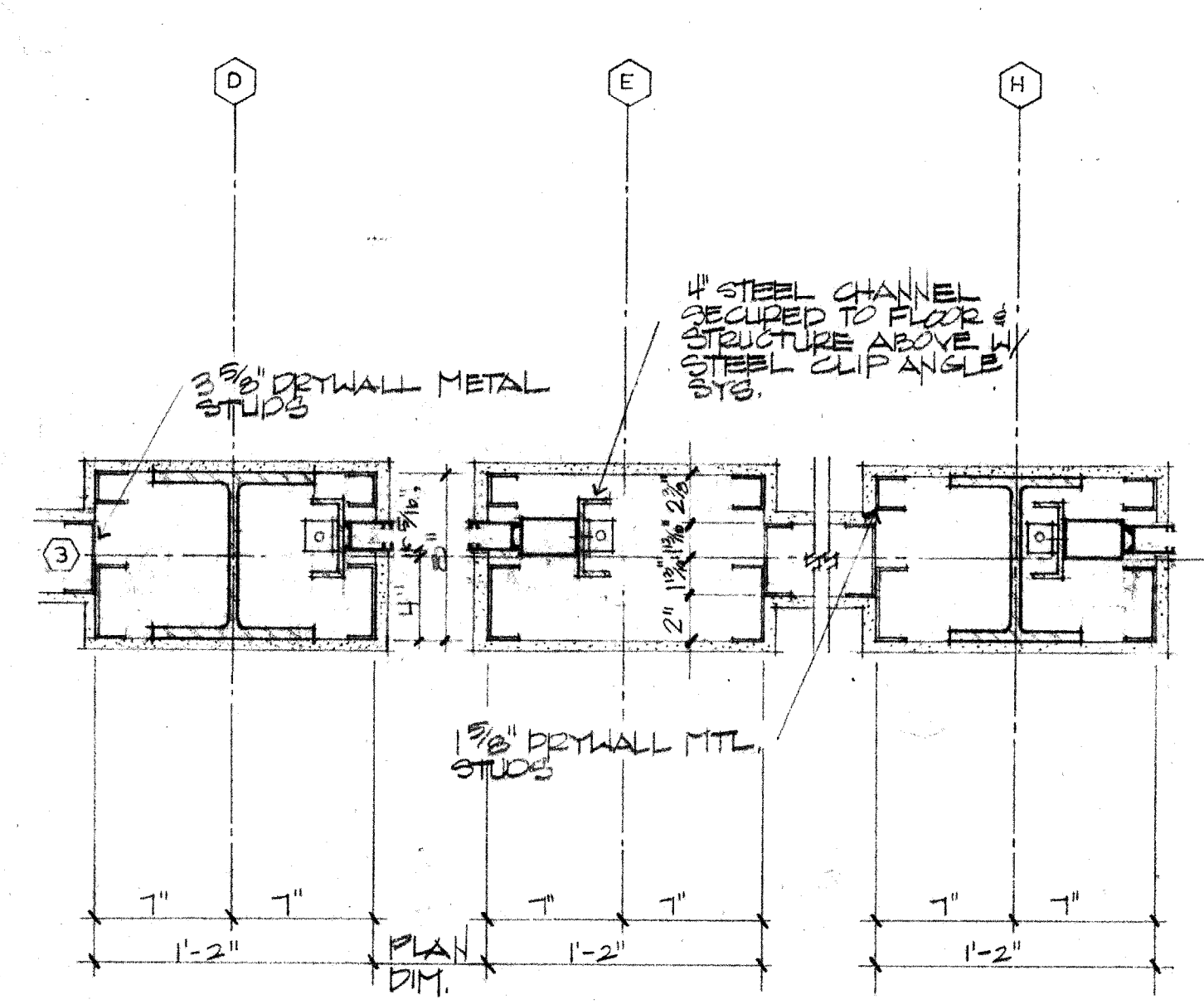
1405 ROOF HATCH SCALE 3/4" = 1'-0" REF. 604



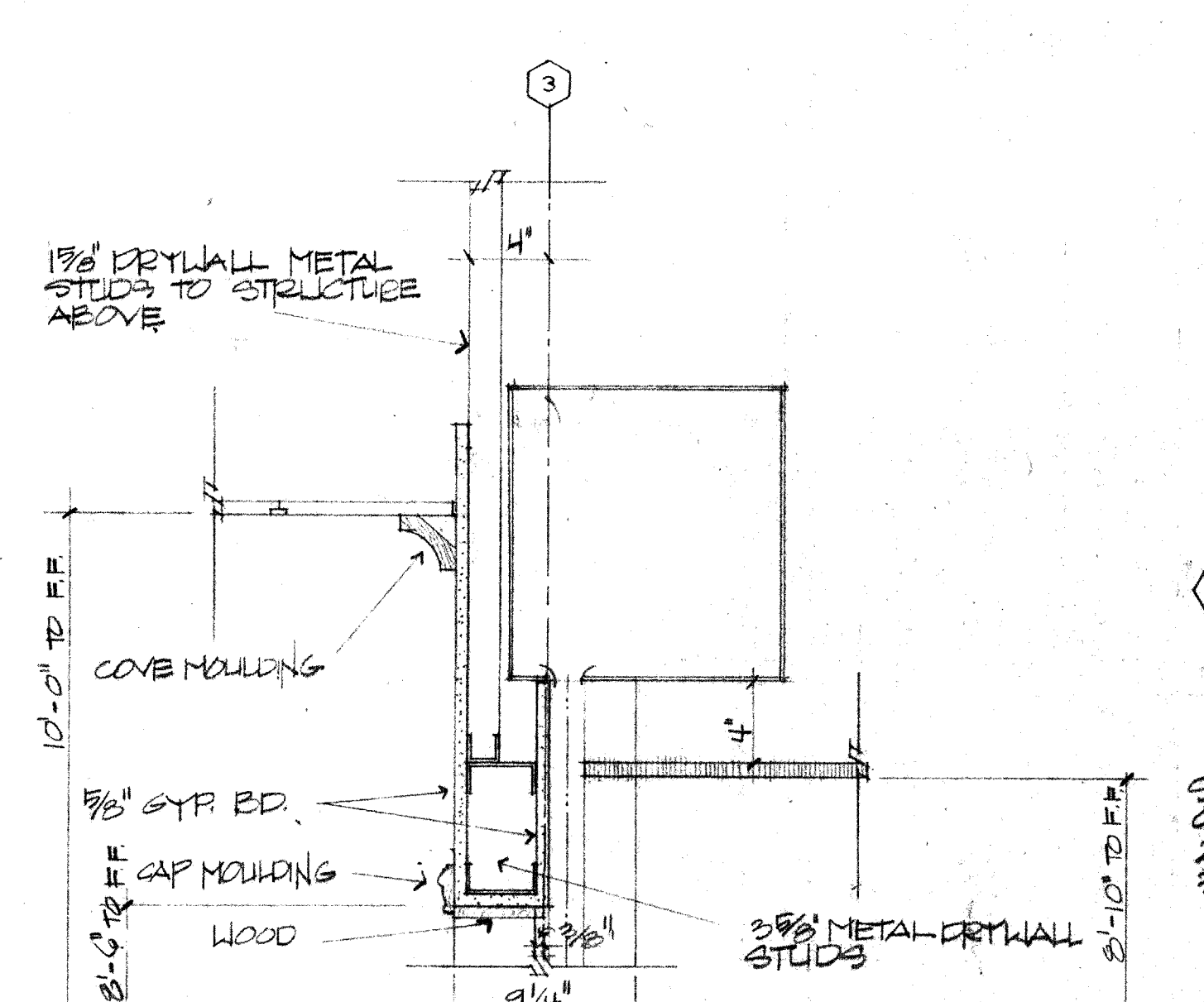
1406 SKYLIGHT SCALE 1 1/2" = 1'-0" REF. 301, 1506



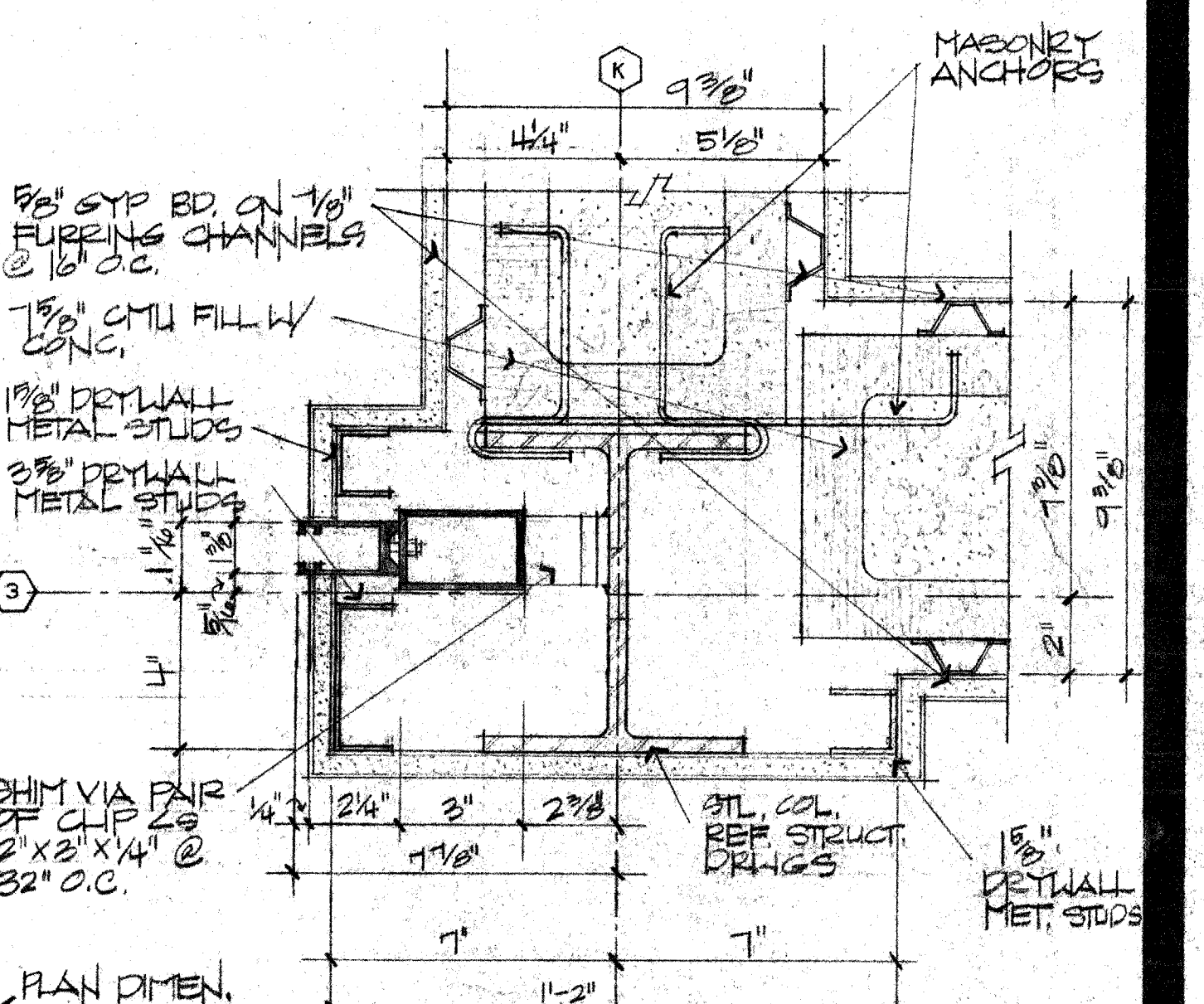
1407 JAMB SCALE 3" = 1'-0" REF. DOOR SCHED.



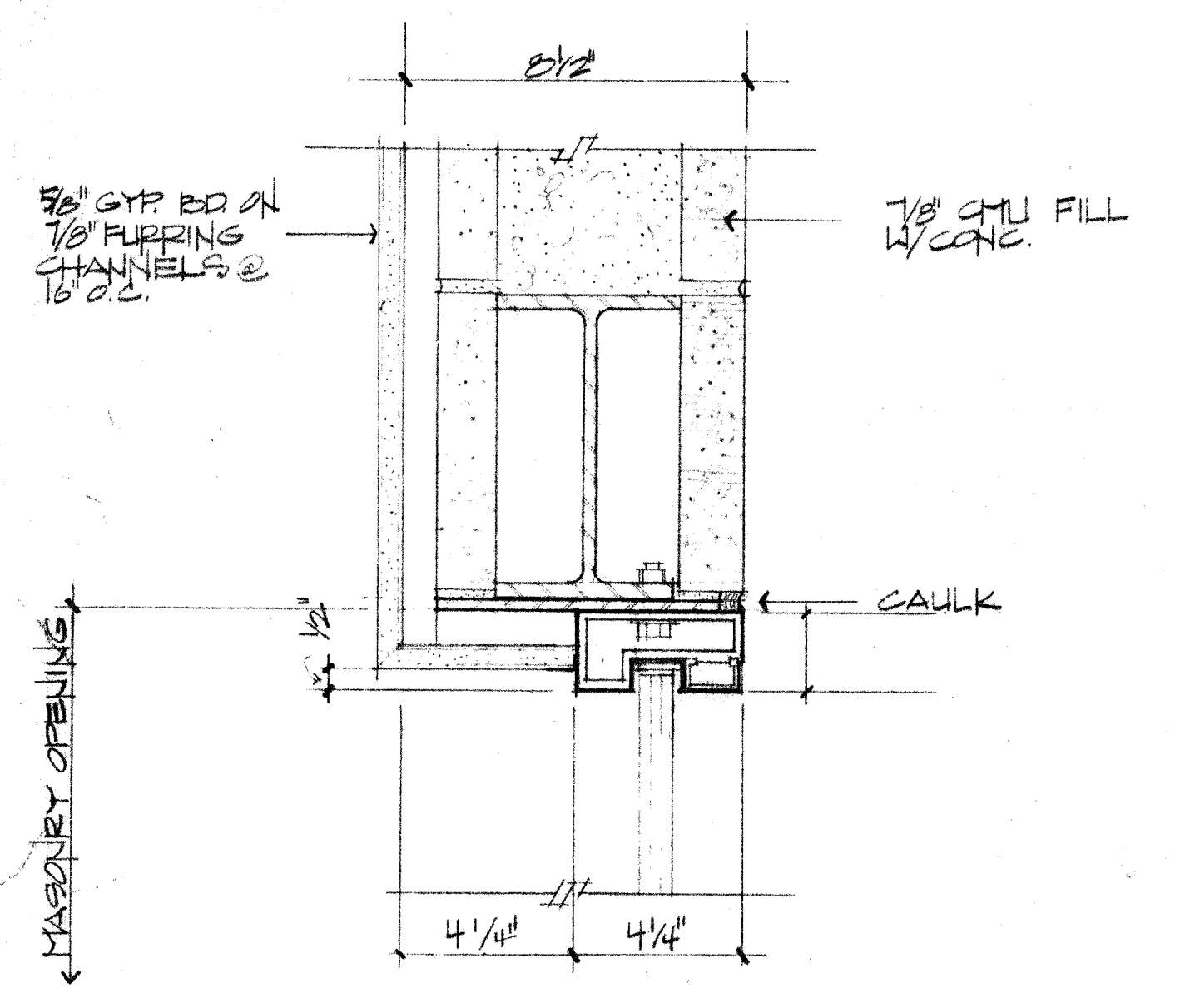
1408 JAMB SCALE 1 1/2" = 1'-0" REF. DOOR SCHED.



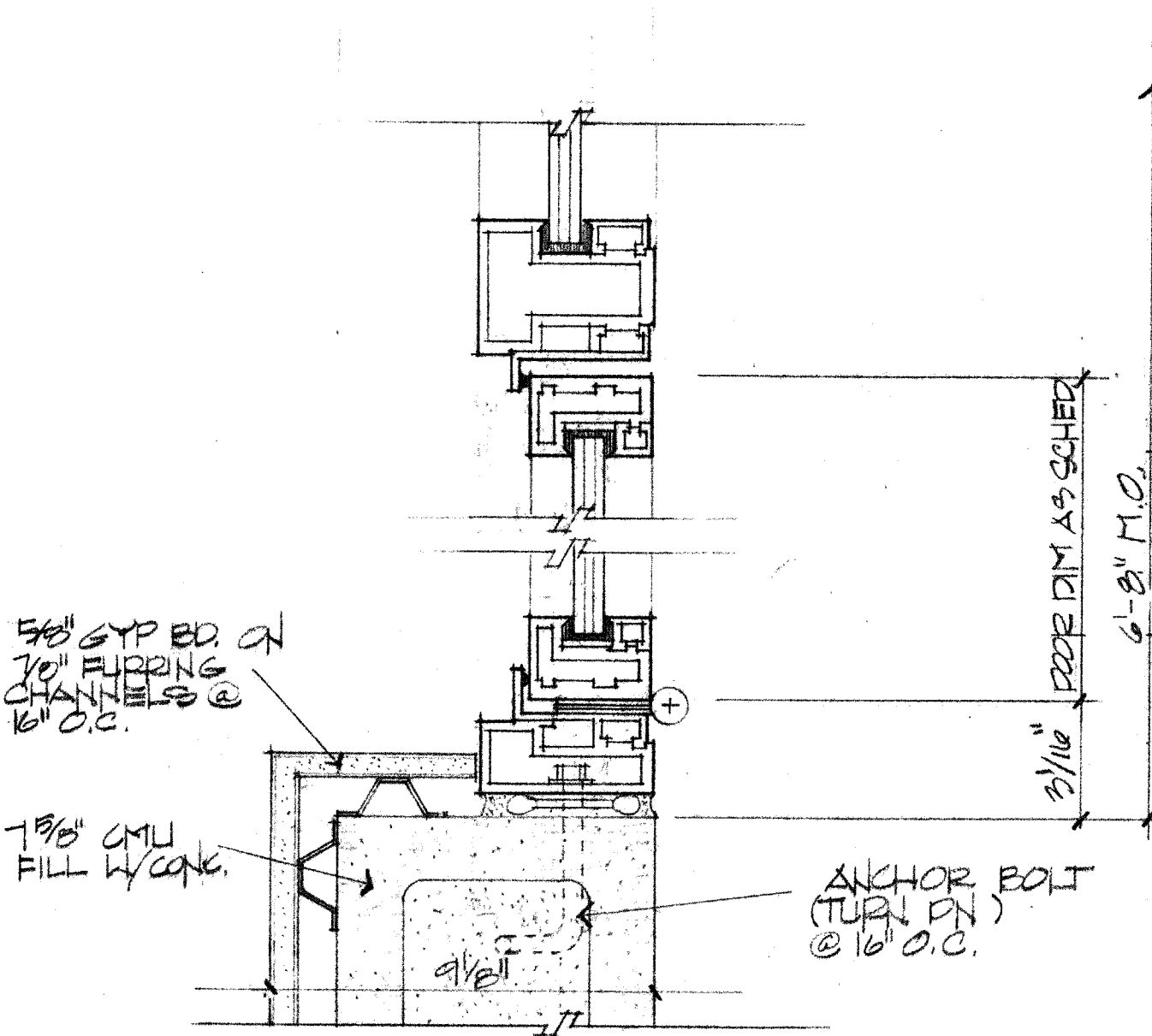
1409 HEAD SCALE 1 1/2" = 1'-0" REF. DOOR SCHED.



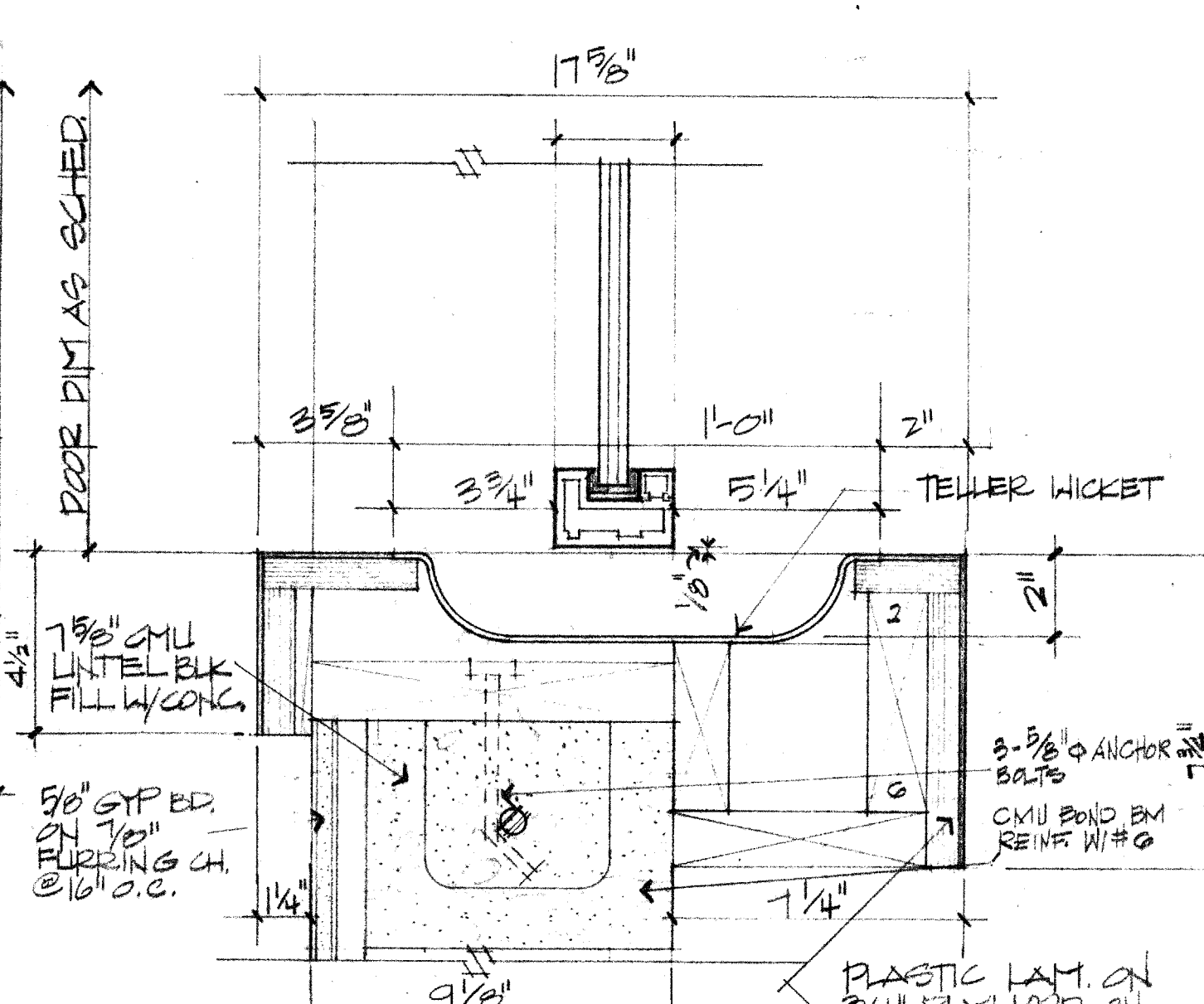
1410 JAMB SCALE 3" = 1'-0" REF. DOOR SCHED.



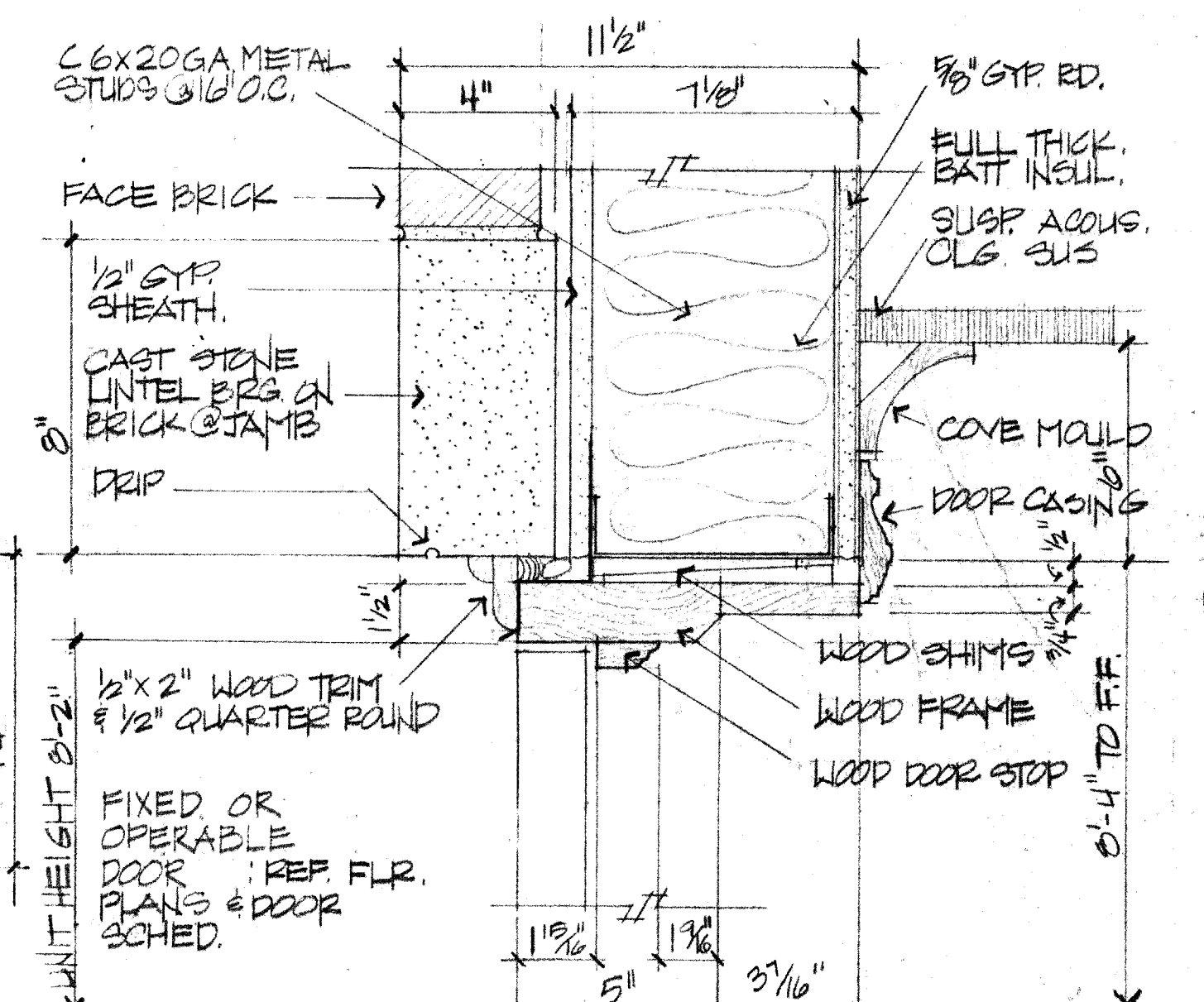
1411 HEAD SCALE 3" = 1'-0" REF. DOOR SCHED.



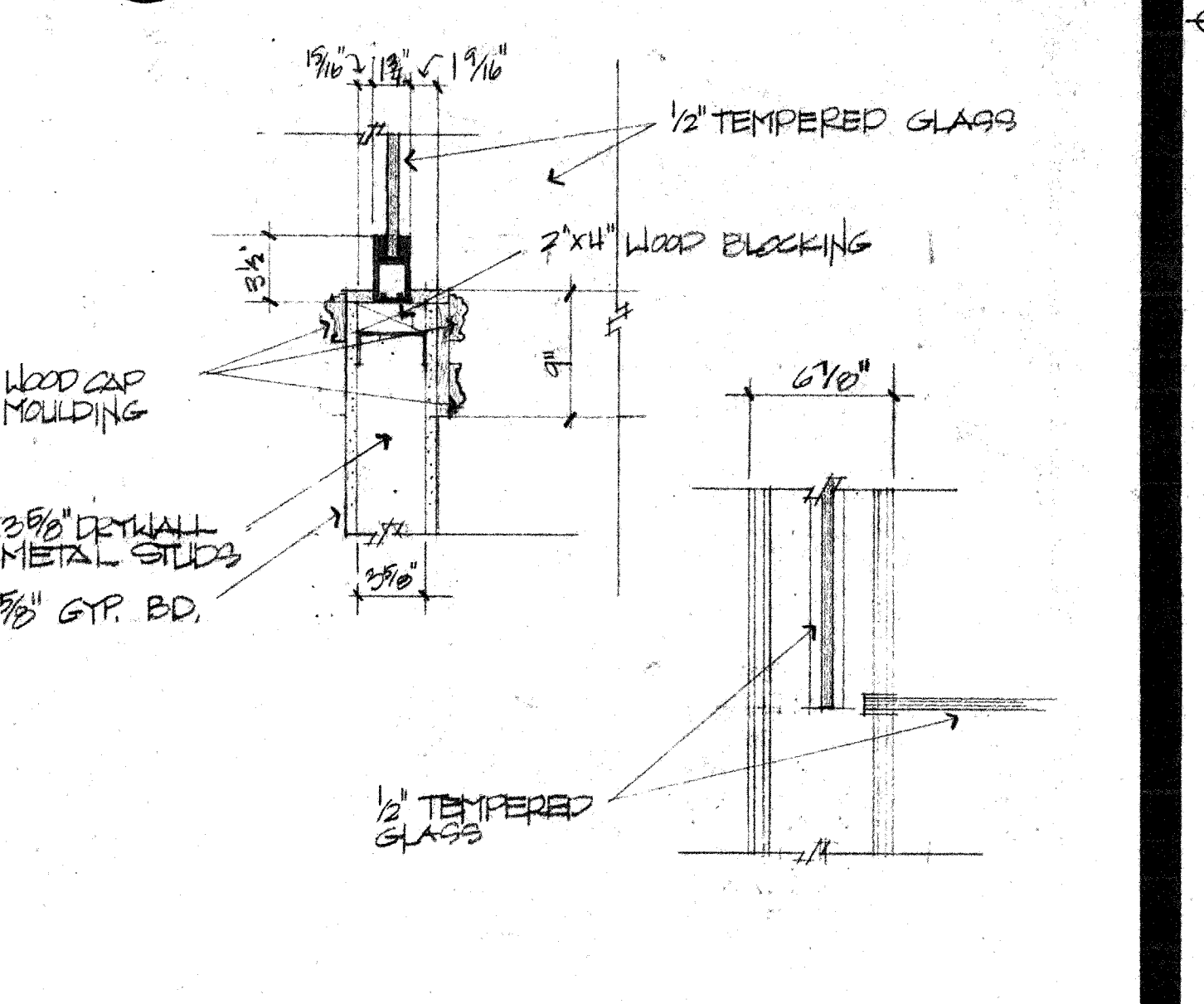
1412 JAMB SCALE 3" = 1'-0" REF. DOOR SCHED.



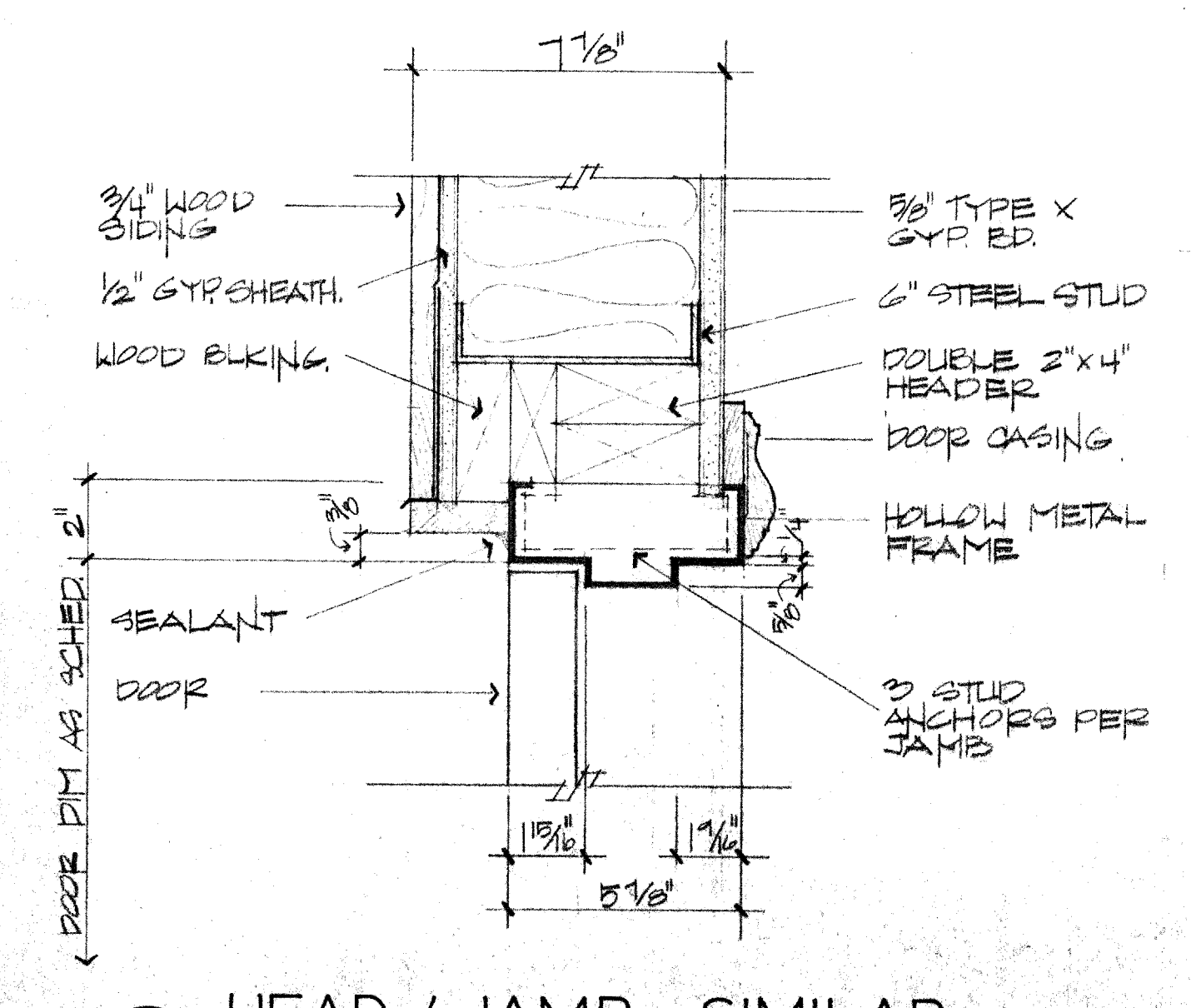
1413 SILL SCALE 3" = 1'-0" REF. DOOR SCHED.



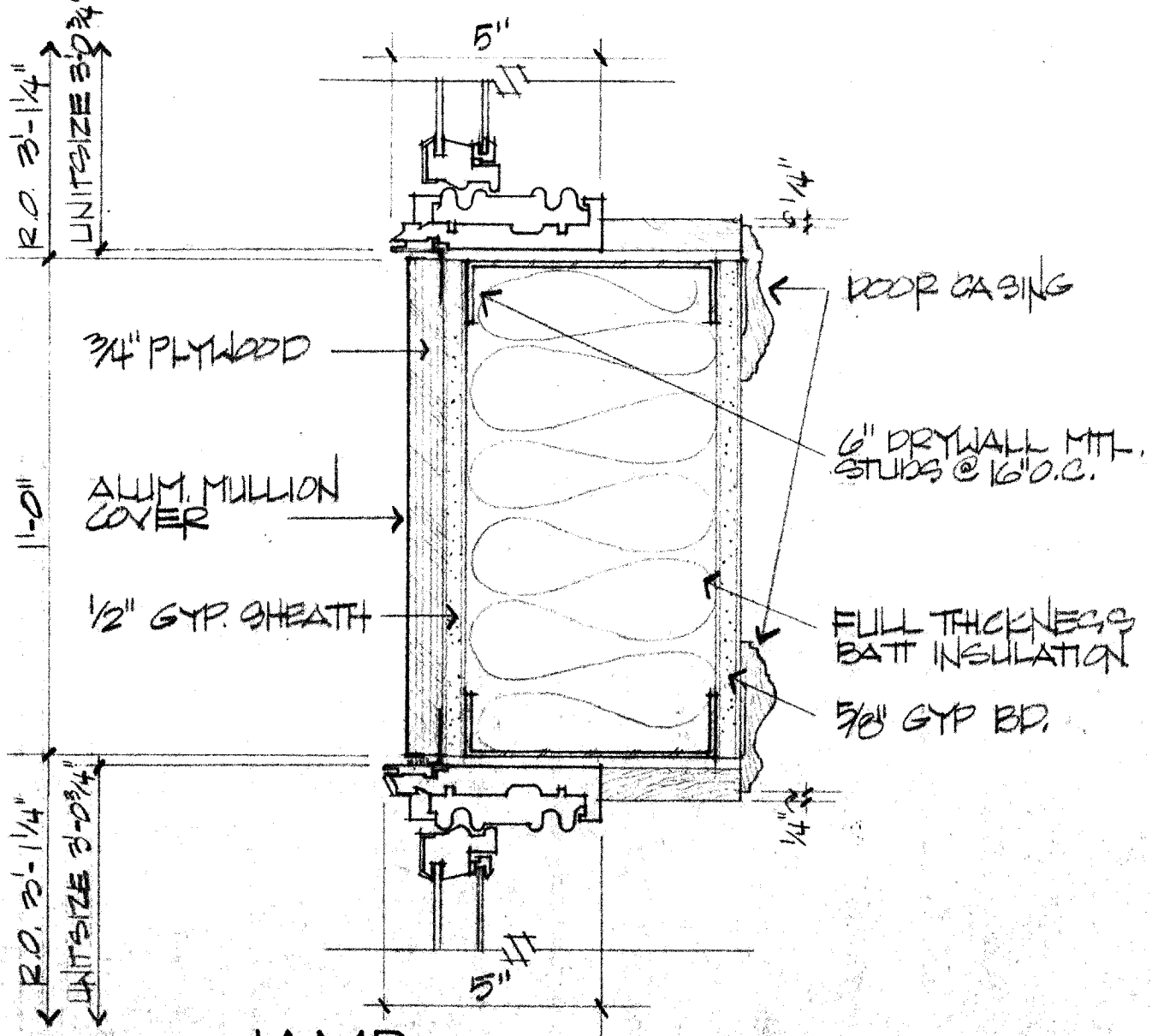
1414 HEAD SCALE 3" = 1'-0" REF. DOOR SCHED.



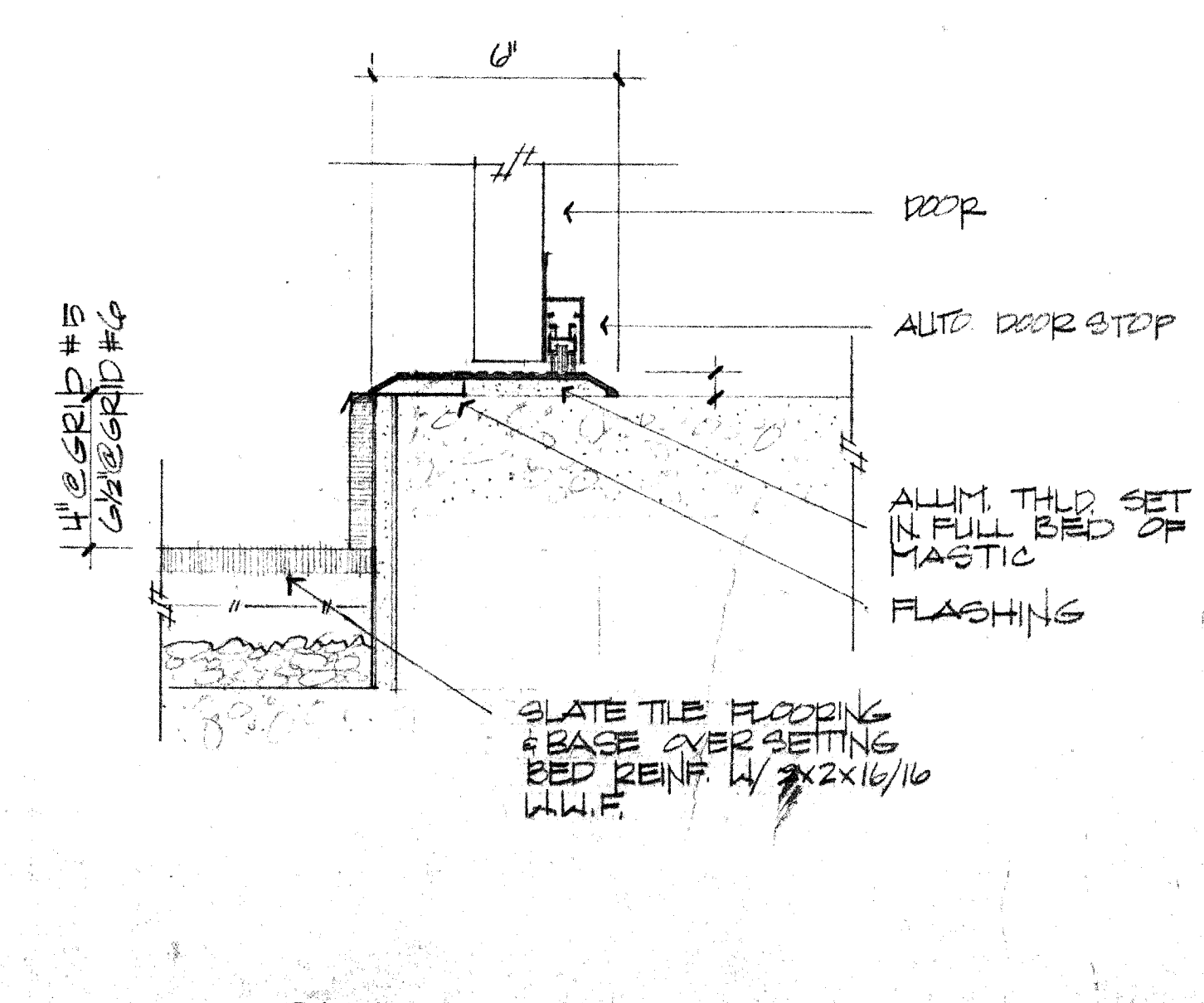
1415 JAMB SCALE 1 1/2" = 1'-0" REF. DOOR SCHED.



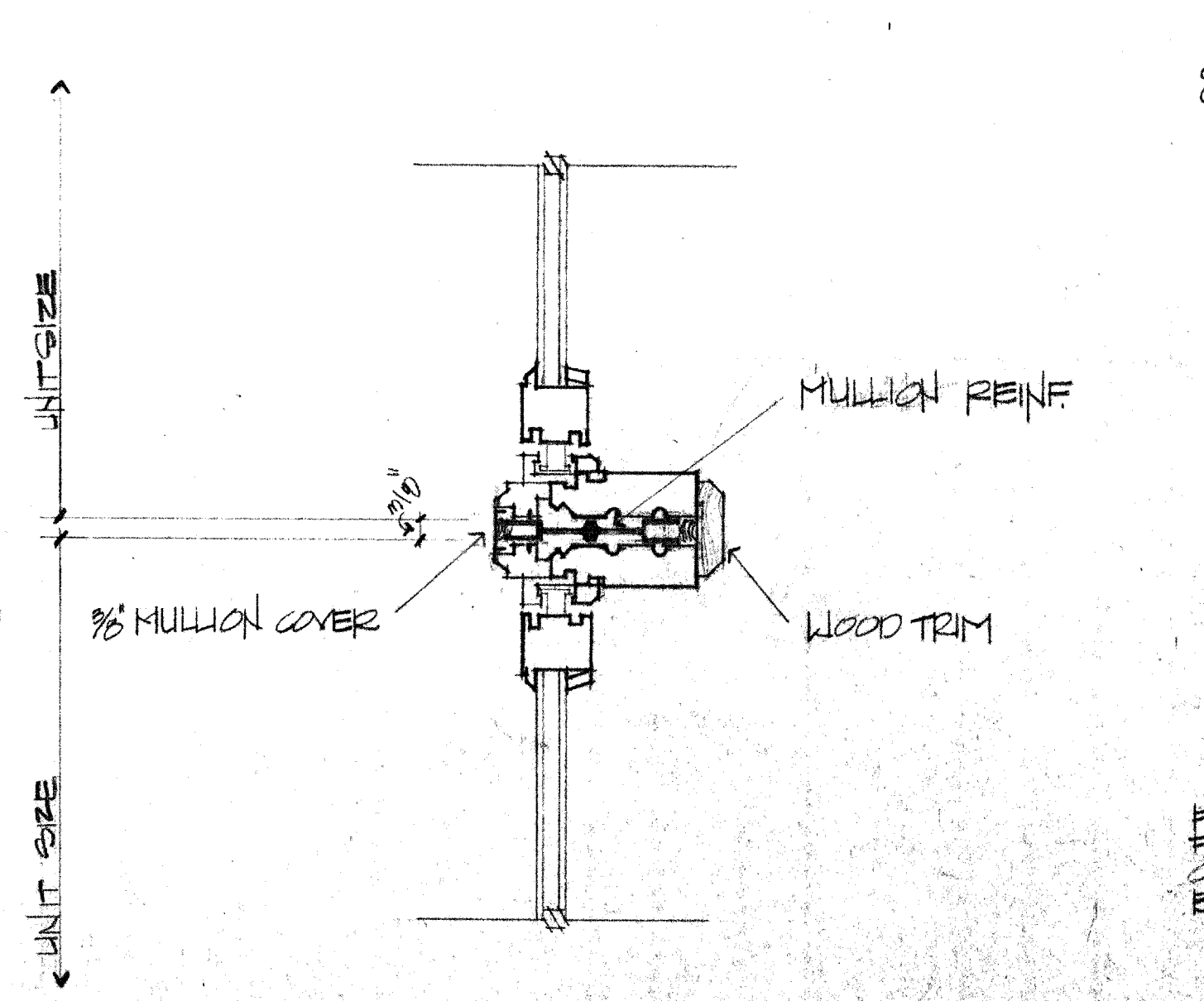
1416 HEAD / JAMB SIMILAR SCALE 3" = 1'-0" REF. DOOR SCHED.



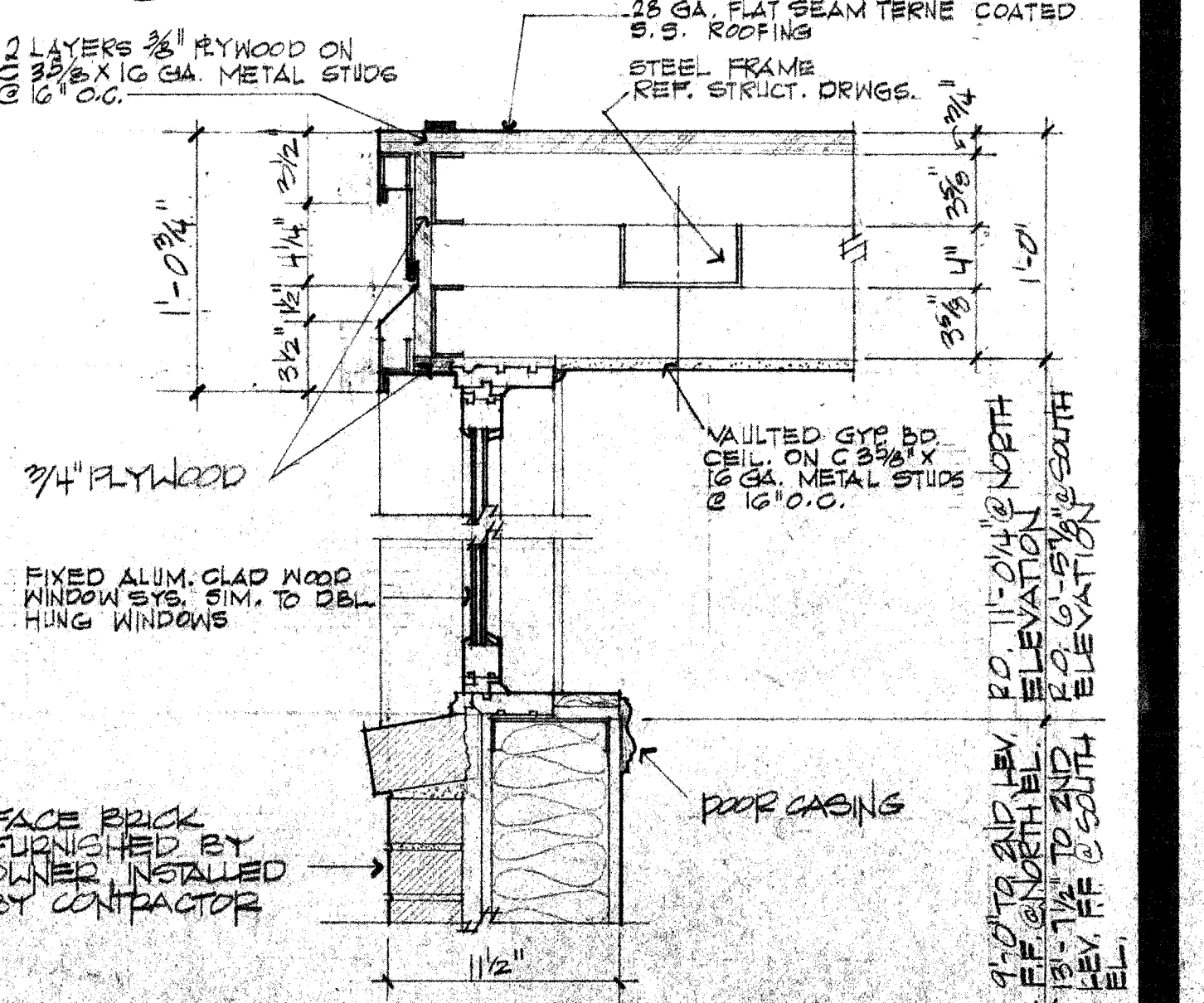
1417 JAMB SCALE 3" = 1'-0" REF. 401



1418 SILL SCALE 3" = 1'-0" REF. DOOR SCHED.



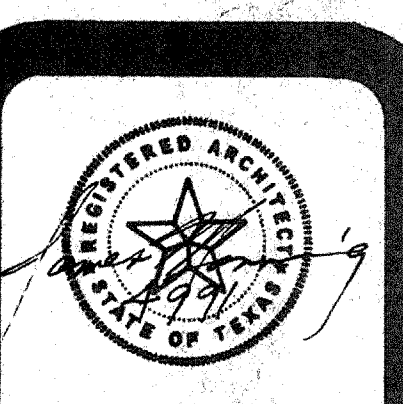
1419 MULLION SCALE 3" = 1'-0" REF. 604



1420 HEAD / SILL SCALE 1 1/2" = 1'-0" REF. 604

SHEPHERD + BOYD ARCHITECTS/PLANNERS & INTERIORS DOUGLAS BUILDING SUITE 900 TEXAS 75268 TELEPHONE 214/691-5000

A NEW POLICE FACILITY FOR THE TOWN OF ADDISON 4799 AIRPORT PARKWAY ADDISON, TEXAS 75248



REVISIONS

Table with columns for revision number, date, and description.

DATE JULY 12 1982 JOB NO. 318

SHEET A14