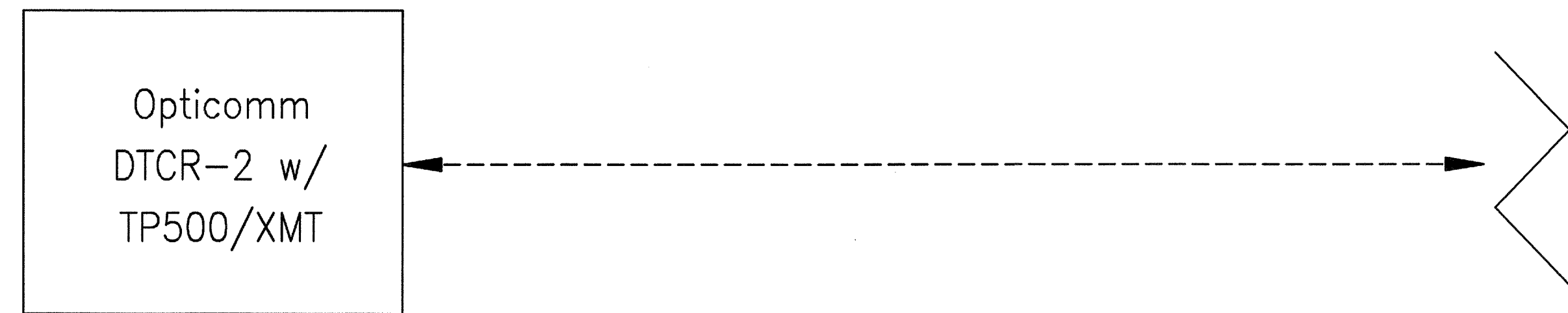
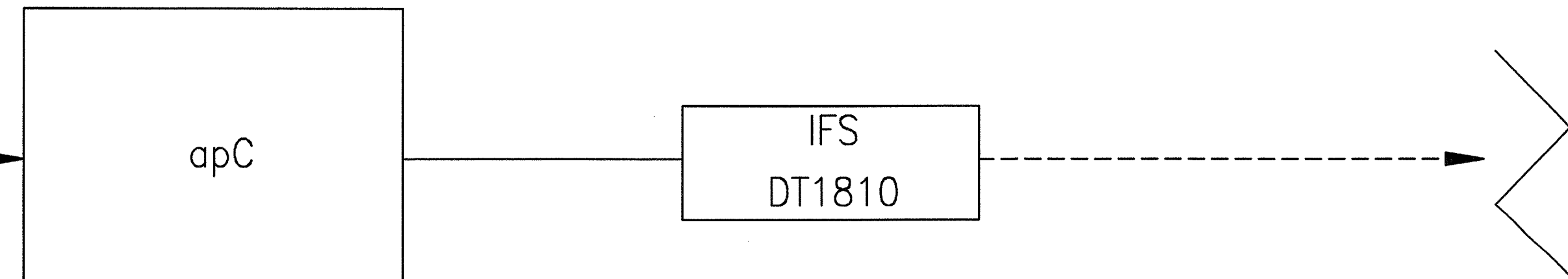
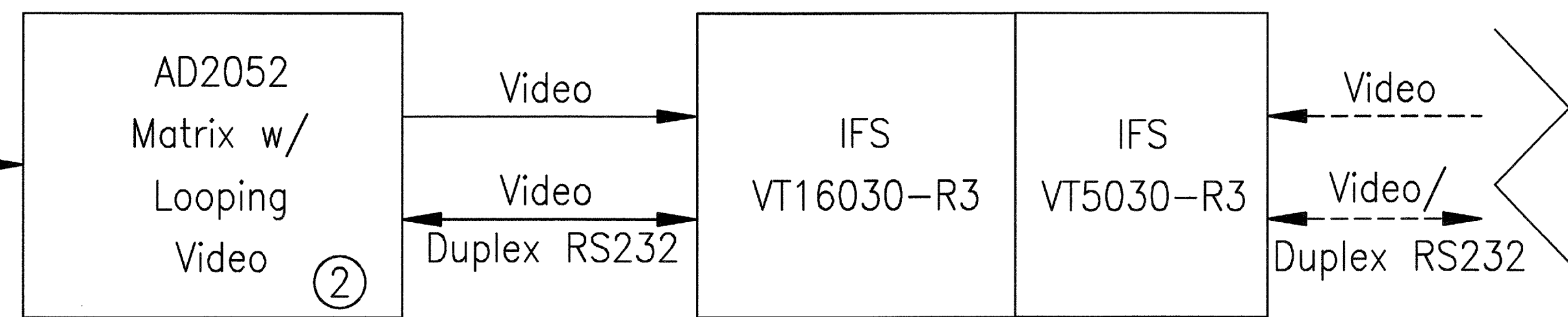


# Addison Toll Plaza

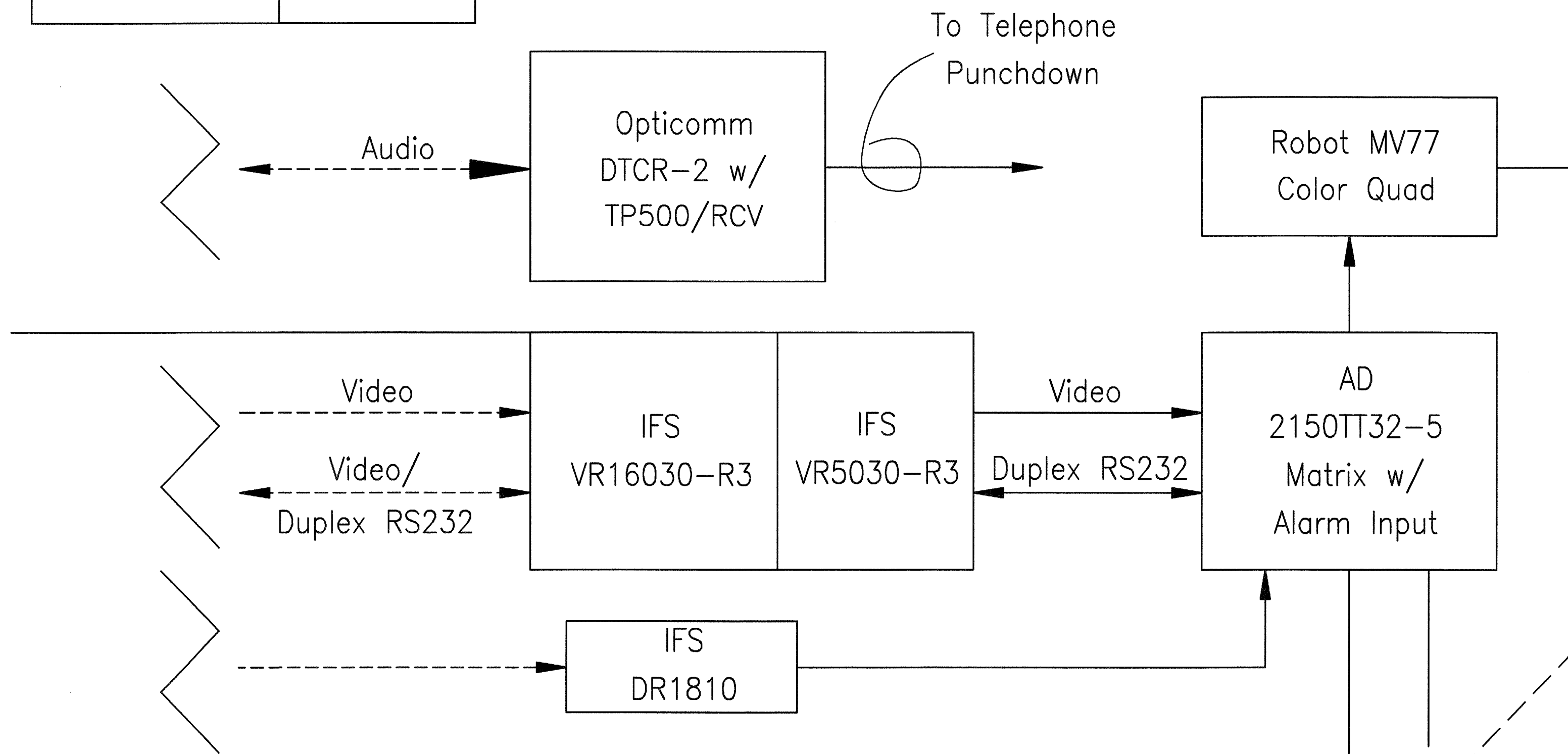
EXISTING



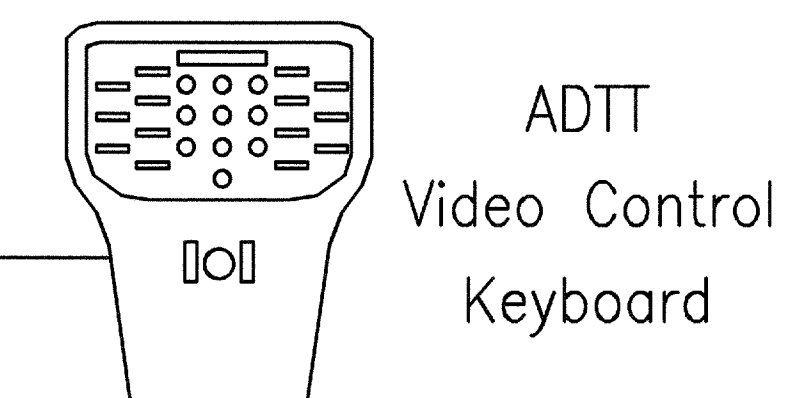
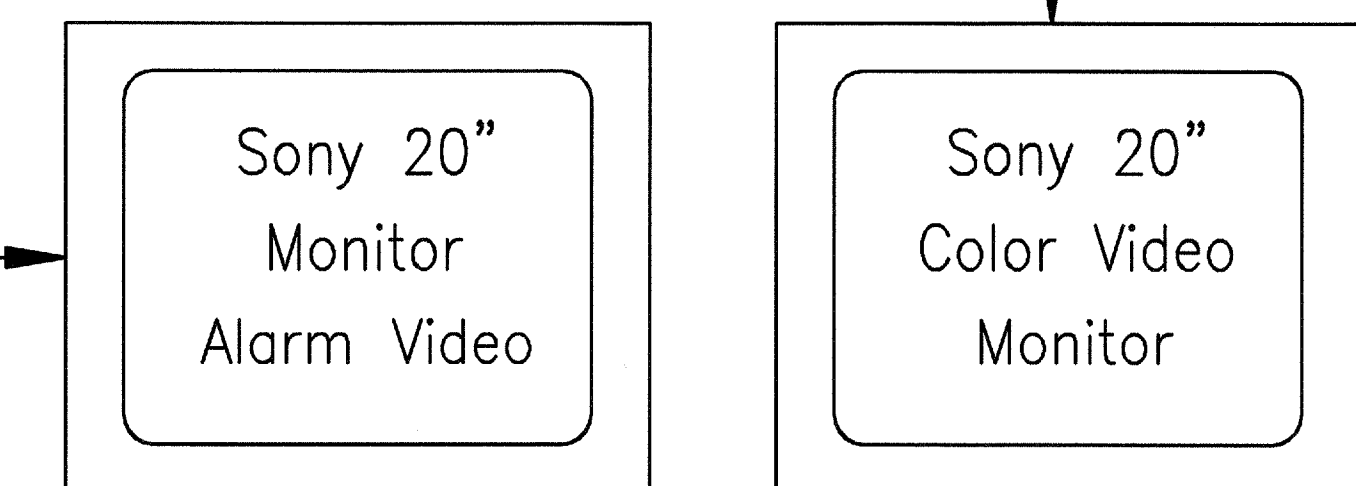
EXISTING



# Addison Police Department Communications Room



# Addison EDC



NOTE: ① All fiber optic cable is existing.

② Install new looping video panel. Existing AD2052 video matrix.

# CCTV / AUDIO SYSTEM ONE - LINE DIAGRAM

Rev.	Date	Description

**ADDISON EDR**  
CCTV & AUDIO DESIGN  
TOWN OF ADDISON, TEXAS

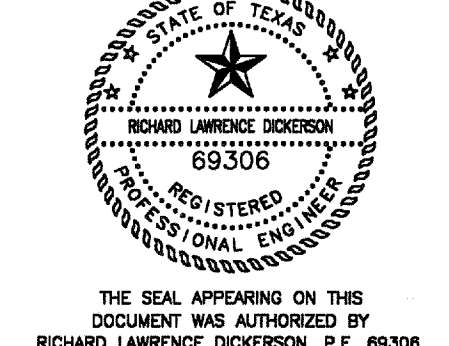
**Security Consulting Group**

C.H. GUERNSEY & COMPANY  
Engineers, Architects  
& Consultants  
Oklahoma City, Oklahoma

**AGUIRRE**  
CORPORATION

210 W 6TH STREET SUITE 1404  
FORT WORTH TEXAS 76102  
FAX 817 877 5261  
TEL 817 877 5260

ALTERATION OF A SEALED DOCUMENT WITHOUT PROPER NOTIFICATION TO THE RESPONSIBLE ENGINEER IS AN OFFENSE UNDER THE TEXAS ENGINEERING PRACTICE ACT



ON \_\_\_\_\_  
Date: **09/15/99**  
Project No. **1020908900**  
Drawn By: **RLD**  
Checked By: **RLD**  
Sheet Title:

**ONE-LINE DIAGRAM**  
Drawing No.