

AIR HANDLING UNIT SCHEDULE

MARK	SUPPLY CFM	O.A. CFM	FACE AREA	ROWS FMS	ENT. AIR		LVG. AIR		SUCTION TEMP.	FAN S.P.	FAN R.P.M.	MOTOR DATA				MFG.	MODEL	REMARKS	
					D.B.	W.B.	D.B.	W.B.				H.P.	E.P.M.	VOLTS	PHASE				STARTER
AHU-1	14000	1060	21.0	4/140/F	83.4	62.9	52.4	50.8	42°F	2.5"	680	10	1750	208	3φ	H.O.A.	TRANE	# 31 B	
AHU-2	2000	200	-	2/	81.2	64.3	62.9	55.0	40°F	1.5"	-	3/4	↓	120	1φ	H.O.A.	↓	BAH5 509	

CONDENSING UNIT SCHEDULE

MARK	SERVES	BTUH		TEMP. °F		FAN MOTOR			COMP. MOTOR			MFG.	MODEL	REMARKS		
		SENIBLE	TOTAL	SUCTION	AMBIENT	NO.	F.L.A.	VOLTS	PHASE	NO.	F.L.A.				VOLTS	PHASE
CU-1	AHU-1	408,577	529,226	42	105	6	24.6	208	3φ	2	188.0	208	3φ	TRANE	RAUB-650	
CU-2	AHU-2	39,590	53,520	40	↓	1	3.4	↓	1φ	1	35.4	↓	1φ	↓	DAVA-50	

FAN TERMINAL SCHEDULE

MARK	SERVES	TYPE	INLET SIZE	CFM		MOTOR DATA	NO. / PHASE	MFG.	MODEL	REMARKS	
				COOLING	HEATING						
FTU-1	EXTER.	FAN POWERED	6"φ	0-400	50% OF COOLING	1	1/5	120/1φ	TRANE	VPEC 0404	PNEUMATIC CONTROLS
FTU-2			8"φ	405-800						VPEC 5507	
FTU-3			10"φ	805-1200						VPEC 1211	
FTU-4			12"φ	1205-2000						VPEC 2011	
FTU-5			26"=12"	2005-4000						VPEC 4020	

V.A.V. TERMINAL SCHEDULE

MARK	CFM RANGE	MIN. INLET S.P.	MAX. I.C. AT 0" S.E.	INLET SIZE	MFG.	MODEL	REMARKS
VAV-1	0-200			5"φ	TRANE	VCC-02	PNEUMATIC CONTROLS
VAV-2	205-400			6"φ		VCC-04	
VAV-3	405-800			8"φ		VCC-05	
VAV-4	805-1200			10"φ		VCC-12	
VAV-5	1205-2000			12"φ		VCC-20	

ELECTRIC DUCT HEATER SCHEDULE

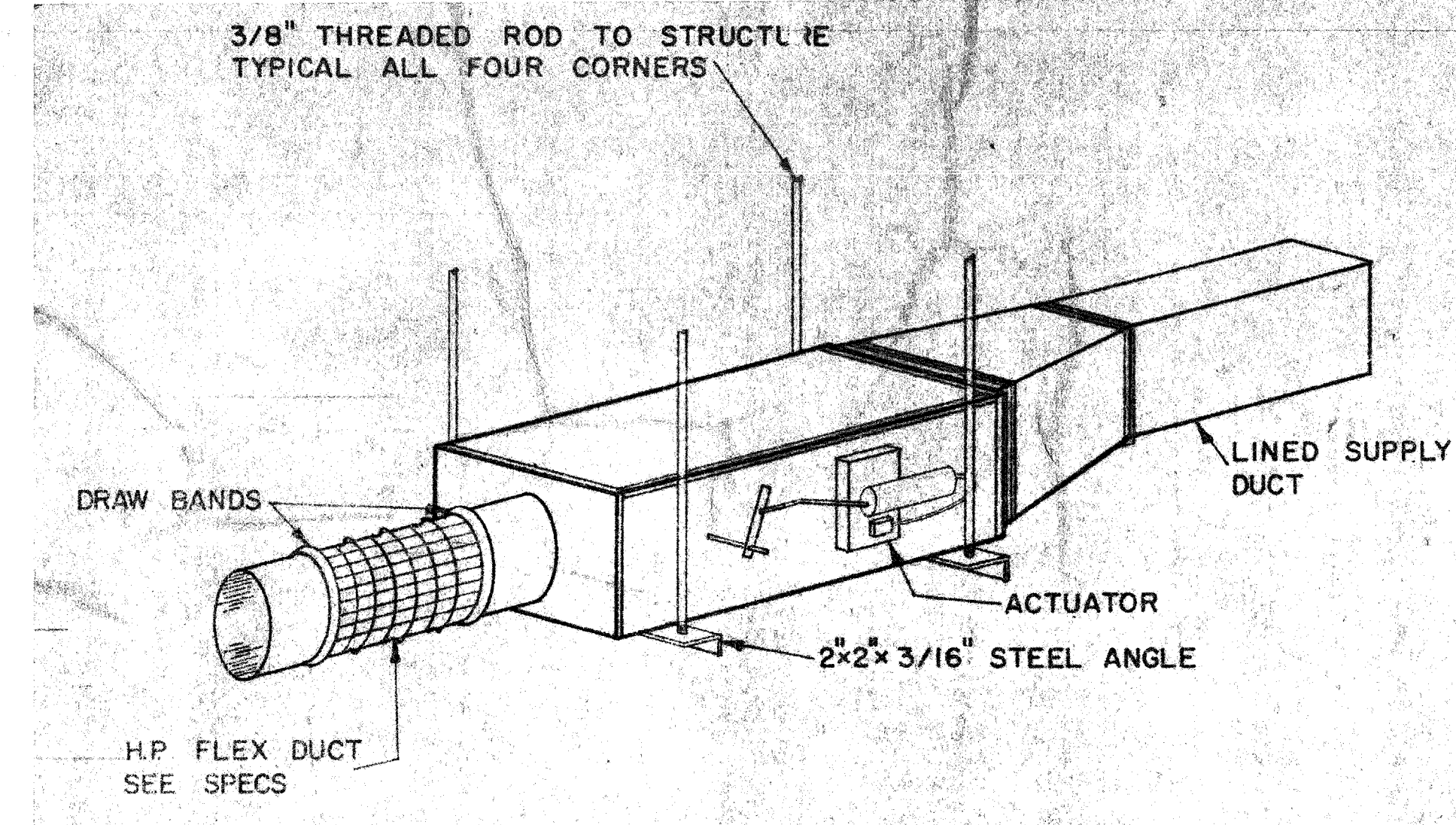
MARK	HEATING CAP. BTU	CFM	ELECT. CAR. KW	VOLTAGE		NO. CIRCUITS	CONTROL STEPS	CONTROL VOLTAGE	HEATER DIMS.	MFG.	MODEL
				PHASE							
EDH-1	5,125	SEE PLANS	1.5	120	1φ	1	120		SEE PLANS		
EDH-2	10,245		3	208	1φ	1					
EDH-3	17,075		5		3φ	1					
EDH-4	25,610		7.5			2					
EDH-5	34,150		10			2					
EDH-6	42,670		12.5			3					

AIR DEVICE SCHEDULE

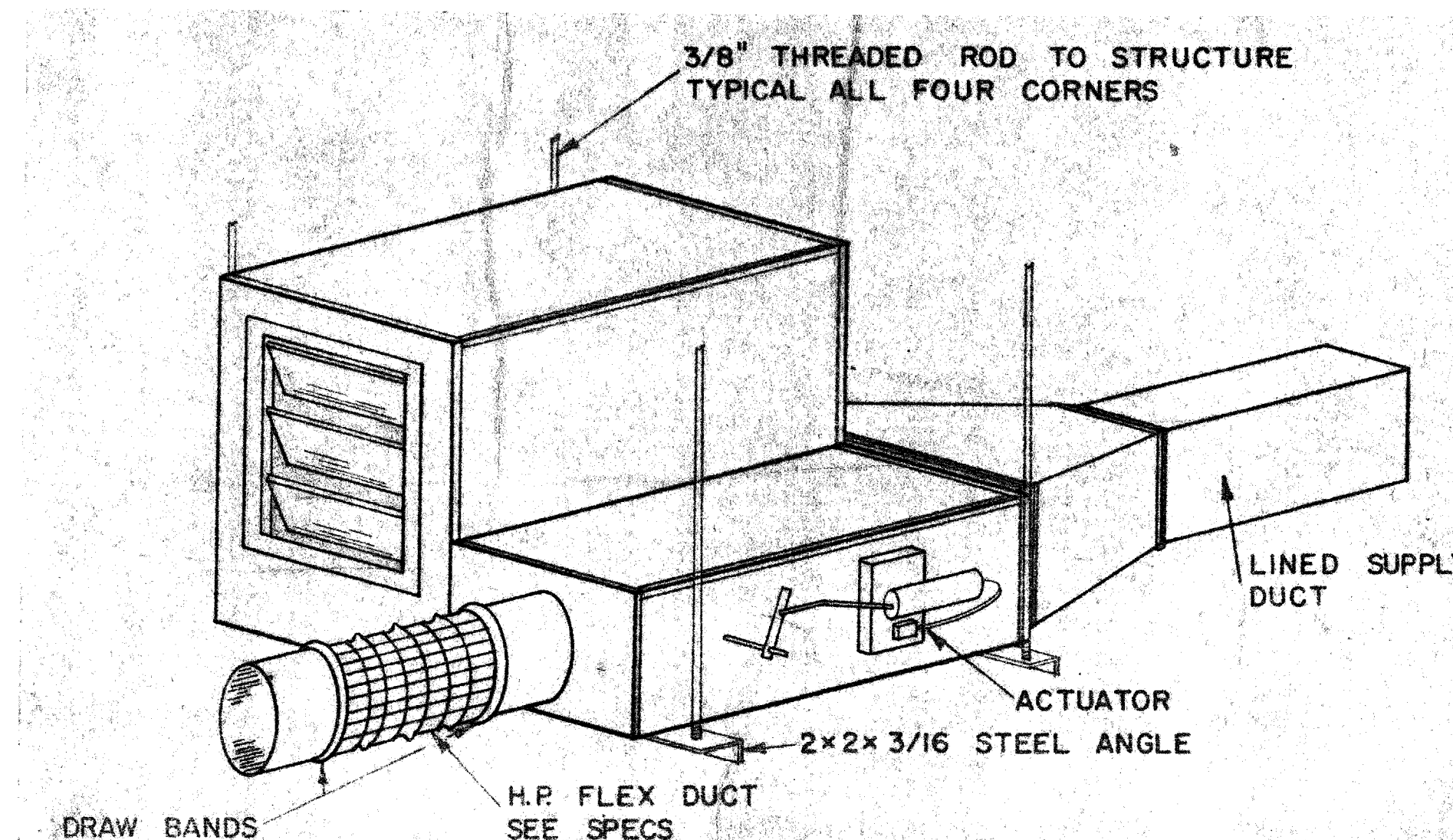
DESIG.	DESCRIPTION	CLG. TYPE	FACE DIMEN.	TYPE	FINISH	MFG.	REMARKS
A	CLG. SUPPLY	LAY-IN	24" x 24"	TKS	OFF-WHITE ENAMEL	TITUS	
B	CLG. RETURN	↓	24" x 12"	TKR			
C	CLG. SUPPLY	GYP BOARD	24" x 24"	TKS			
D	CLG. RETURN	↓	AS SHOWN	TKR			
E	CLG. EXHAUST	↓		TKR			
F	SIDEWALL SUPPLY	↓				272-F55	
G	CLG. SUPPLY	↓		TRC			

FAN SCHEDULE

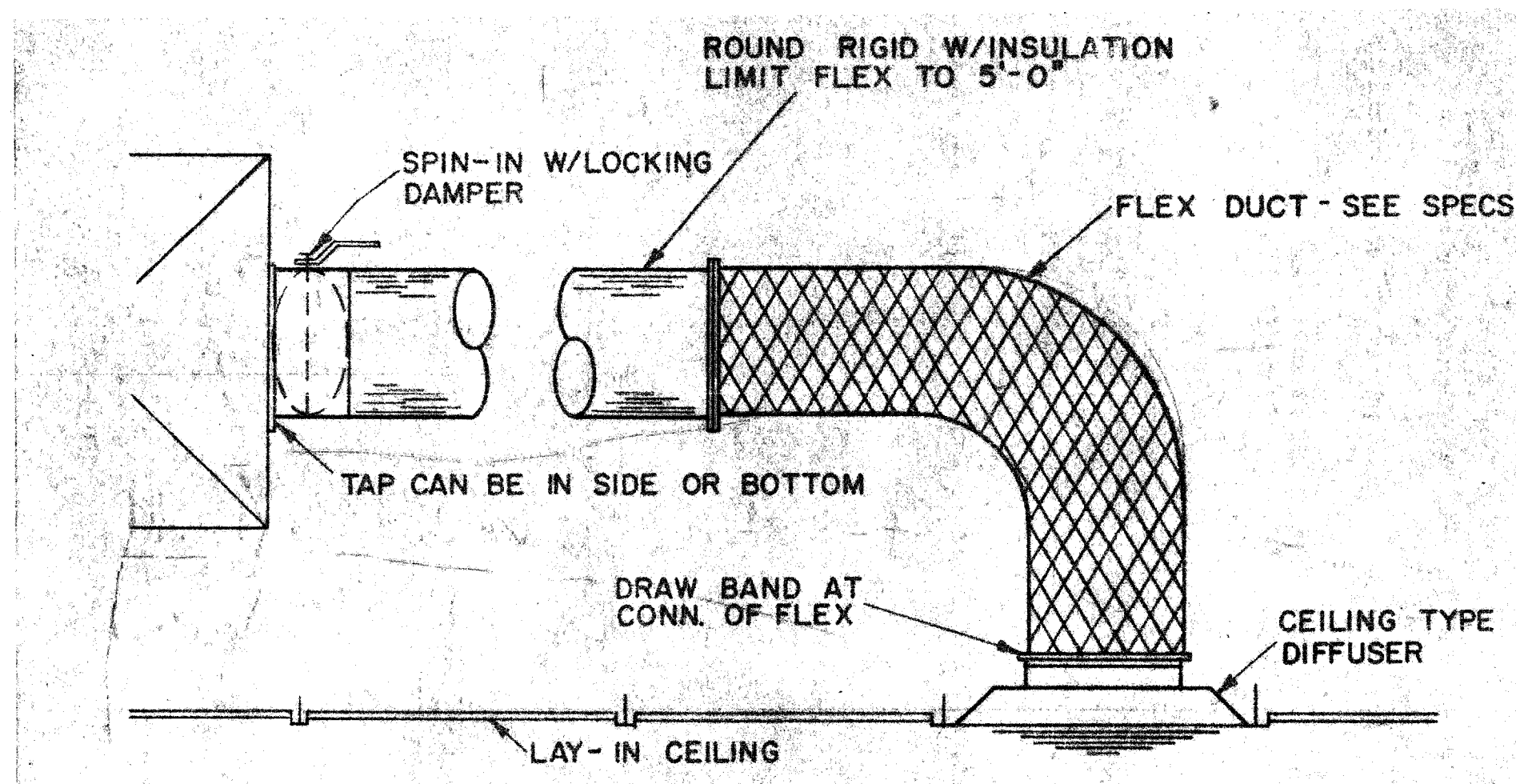
MARK	CFM	S.E.	RPM	MOTOR DATA				MFG.	MODEL	SERVES	REMARKS
				H.P.	BPM	VOLT/PH.	STARTER				
EF-1	885	.25	1082	1/4	1585	120/1φ	H.O.A.	ACME	# P12	LOCKER 120ME	
EF-2	350	↓	1585	1/22	1550				# PR 75	121L875	
EF-3	30	.125	3000	1/25	3000		WALL SWITCH	RUSH HAMILTON			
EF-4	300	.25	1875	1/22	1550		H.O.A.	ACME	# PR 70		
EF-5	360	↓	1725						# PR 75		
EF-6	600	↓	780	1/6					# P12D2	FIRING RANGE	
EF-7	350	↓	1725	1/22					# PR 75	ARMORY	
EF-8	1675	.50	1074	1/4					# P16E	CELLS	
EF-9, 10, 11	75	.125	1000	25 W	1050		WALL SWITCH	COOK	# 4-10	RMS. 116A, NO. 20E	
EF-12, 13	125	↓	1520	85 W	1520				# 4-15	RMS. 1207, 211	



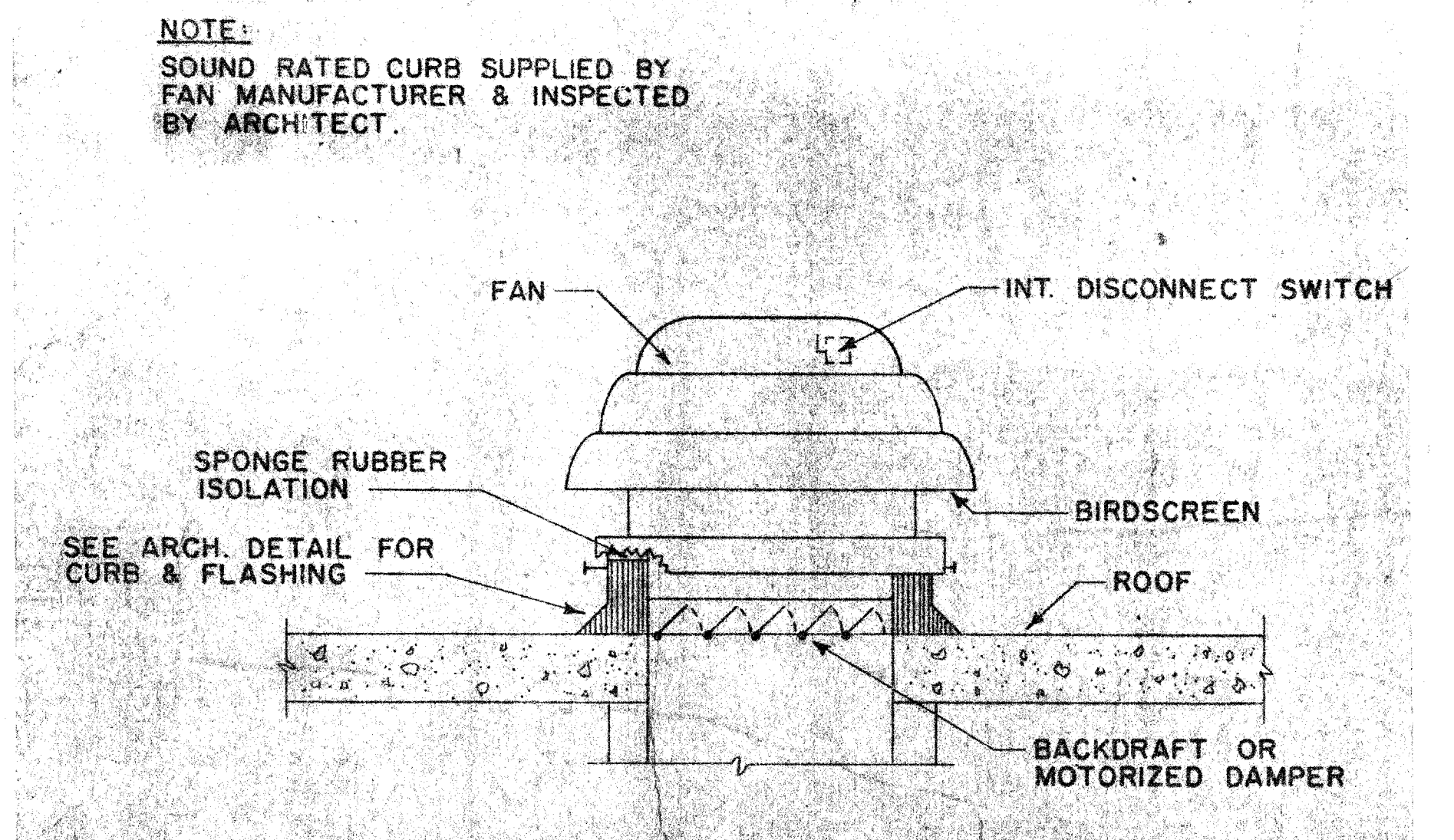
VAV BOX DETAIL
NO SCALE



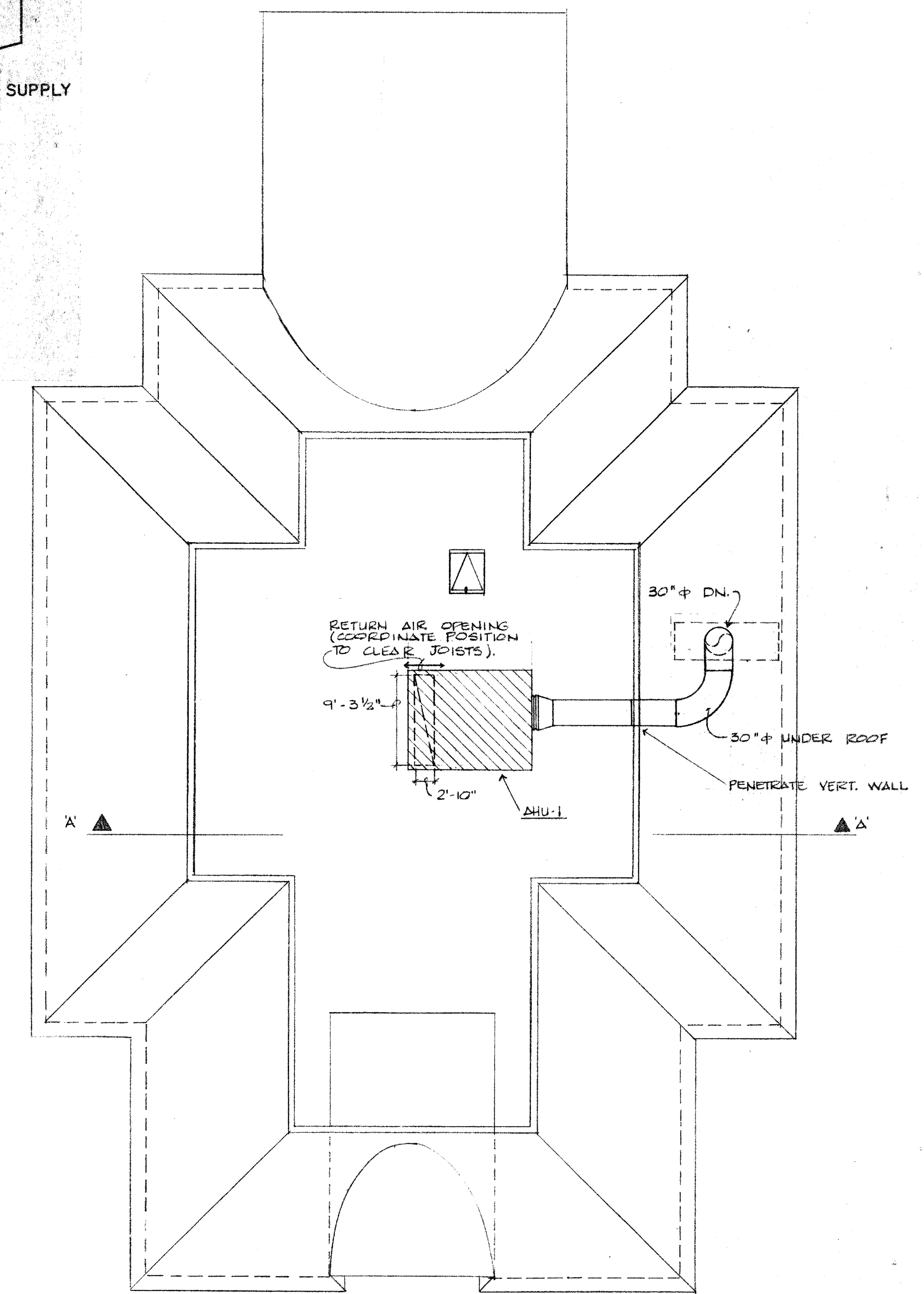
F.T.U. BOX DETAIL
NO SCALE



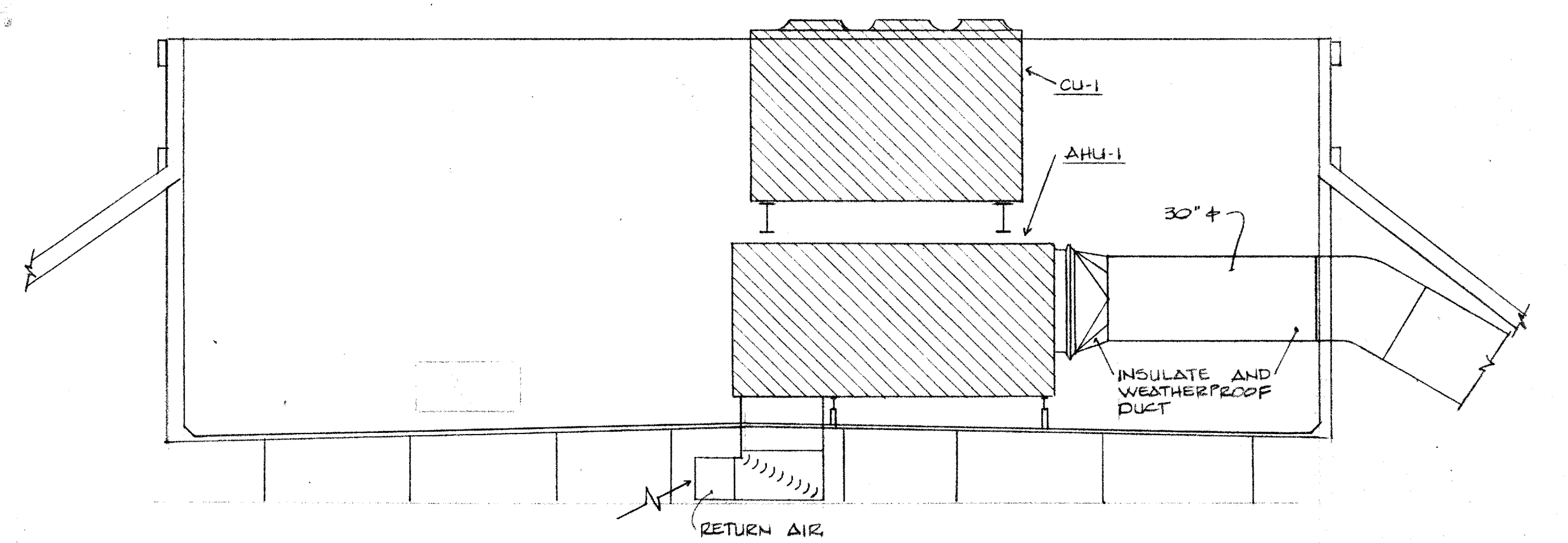
TYPICAL CEILING SUPPLY DIFFUSER
NO SCALE



ROOF FAN DETAIL
NO SCALE



SECOND LEVEL ROOF PLAN
SCALE: 1/8" = 1'-0"



SECTION 'A - A'
SCALE: 1/4" = 1'-0"

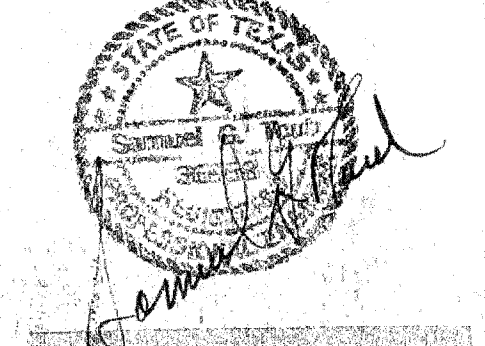
SHEPHERD + BOYD
ARCHITECTS/PLANNERS & INTERIORS
2825 W. DALLAS AVENUE
DALLAS, TEXAS 75201
TELEPHONE 214/881-8000

A NEW POLICE FACILITY FOR THE
TOWN OF ADDISON
4799 AIRPORT PARKWAY
ADDISON, TEXAS 75248



NO.	REVISIONS	DATE

DATE
8-4-82
REV: 7-12-82



S. TOUB & ASSOC.
CONSULTING ENGINEERS
DALLAS, TEXAS

SHEET
M-4