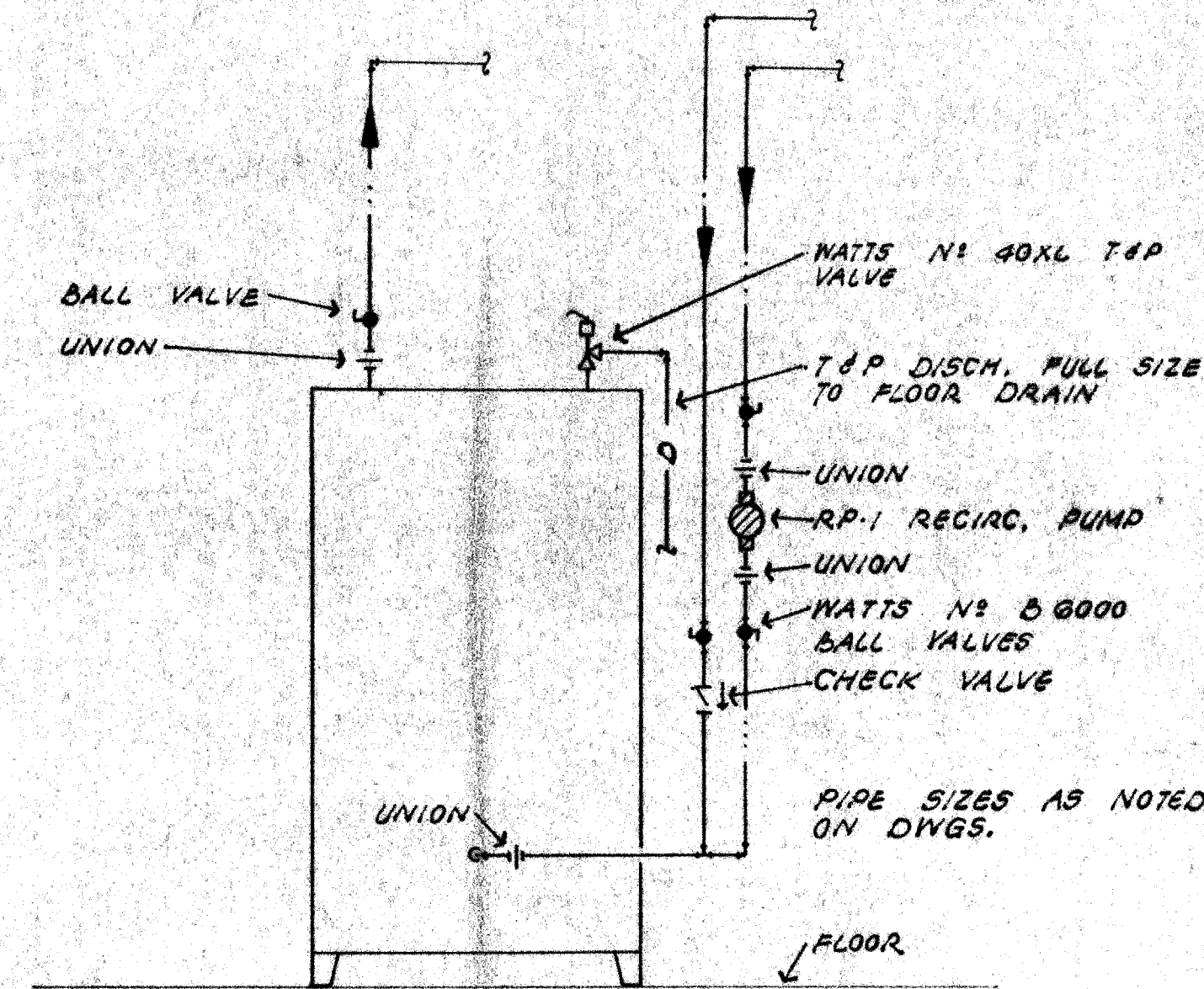
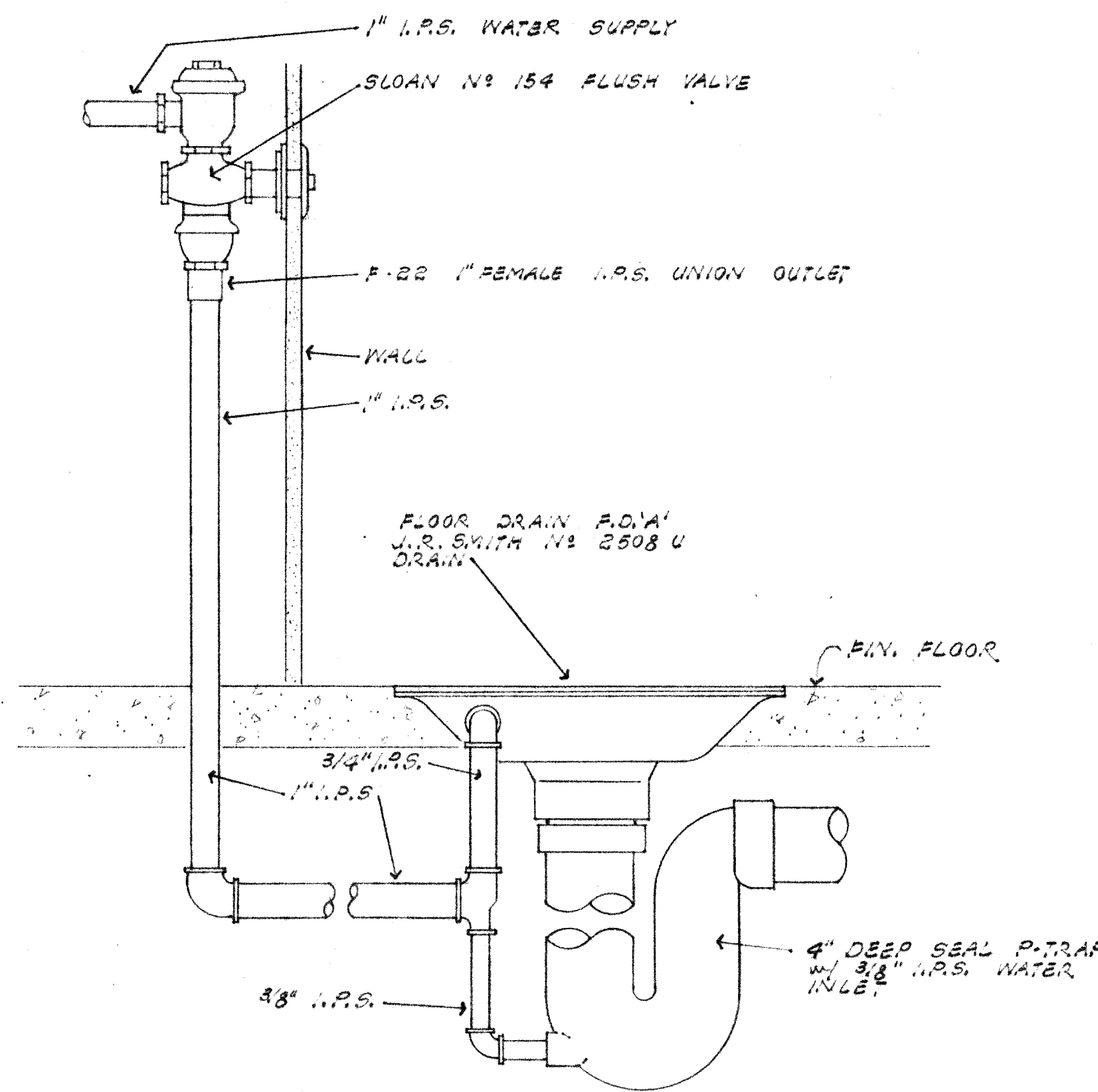


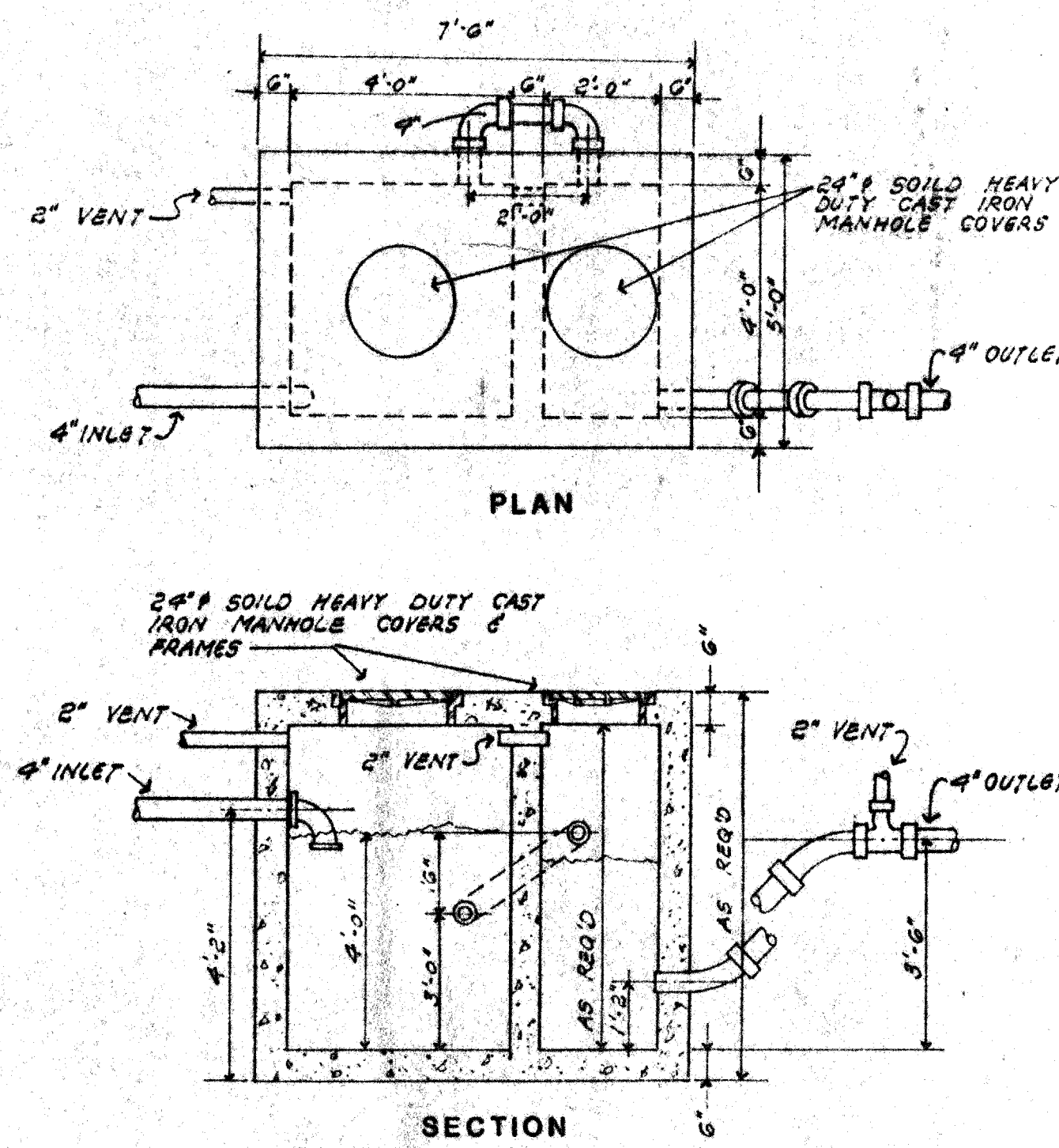
WATER HEATER PIPING DIAGRAM
NOT TO SCALE



WATER HEATER DETAIL
NOT TO SCALE



FLUSHING RIM FLOOR DRAIN
NOT TO SCALE



SAND TRAP DETAIL
NOT TO SCALE

ELECTRIC WATER HEATER SCHEDULE

DESIG.	STORAGE GALS.	RECOVERY G.P.H.	DEGREE RISE	WTR. TEMP. LEAVING	K.W.	VOLTS/ PHASE	REMARKS
WH-1	300	204	80°F	120°F	4.5	208/3φ	PV 455300 AE w/ 40W DENSITY ELEMENTS
WH-2	20	22	80°F	120°F	4.5	208/3φ	RUUD NO. PDS 20-2
WH-3	50	61.5	100°F	140°F	1.5	208/3φ	RUUD NO. EGL 50-15-0

RECIRCULATION PUMP SCHEDULE

DESIG.	G.P.M.	HEAD FT.	H.P.	R.P.M.	VOLTS/ PHASE	REMARKS
RP-1	10	10	1/6	1750	115/1φ	THRUH NO. RB
RP-2						

PLUMBING FIXTURE SCHEDULE

DESIG.	FIXTURE	MANUFACTURER & MODEL NO.	CONNECTION SIZE				TRIM & REMARKS
			W	V	C	H.W.	
W.C.'A	WATER CLOSET TYPE 'A'	KOHLER NO. K-4430-ET	4"	2"	1"	-	WALL HUNG VITREOUS CHINA SIPHON JET ELONGATED WATER CLOSET W/SLOAN NO. 110-3 FLUSH VALVE, KOHLER NO. K-4670-C SEAT & J.R. SMITH CHAIR CARRIER
W.C.'B	WATER CLOSET TYPE 'B'	KOHLER NO. K-4430-ET	4"	2"	1"	-	SAME AS ABOVE EXCEPT MOUNTED @ WHEELCHAIR HEIGHT
W.C.'C	WATER CLOSET TYPE 'C'	ACORN NO. 1512-L/R	4"	2"	1"	-	STAINLESS STEEL WATER CLOSET & LAVATORY W/2825 FLUSH VALVE AND CARRIER AS REQUIRED
U.	URINAL	KOHLER NO. K-5014-T	2"	1 1/2"	1"	-	WALL HUNG SIPHON JET URINAL W/SLOAN NO. 180 FLUSH VALVE & J.R. SMITH CHAIR CARRIER
L.	LAVATORY	KOHLER NO. K-2904	2"	1 1/2"	1/2"	1/2"	SELF-RIMMING ENAMELED CAST IRON LAVATORY W/408P FAUCET & DRAIN, K-1606 SUPPLIES & K-9000 P-TRAP
S.'A	SINK TYPE 'A'	JUST NO. SLX-2815-A-GR	2"	1 1/2"	1/2"	1/2"	SELF-RIMMING 18 GAUGE STAINLESS STEEL SINGLE COMPARTMENT SINK W/ JGM126 FAUCET, J35 STRAINER, MCGUIRE NO. 8912 P-TRAP, MCGUIRE NO. 111 CONTINUOUS WASTE, I.S.E. NO. 933/SS 1/2 HP DISPOSAL
S.'B	SINK TYPE 'B'	JUST NO. DLX-2233-A-GR	2"	1 1/2"	1/2"	1/2"	SELF-RIMMING 18 GAUGE STAINLESS STEEL DOUBLE COMPARTMENT SINK W/ JVL123A FAUCET & HOSE SPRAY, J35 STRAINER, MCGUIRE NO. 8912 P-TRAP, MCGUIRE NO. 111 CONTINUOUS WASTE, I.S.E. NO. 933/SS 1/2 HP DISPOSAL
SH'A	SHOWER TYPE 'A'	ACORN NO. 531-M	3"	2"	1/2"	1/2"	WALL MOUNTED SHOWER HEAD & VALVE COMPLETE W/J.R. SMITH NO. 2005A DRAIN W/NICKEL BRONZE TOP
SH'B	SHOWER TYPE 'B'	ACORN NO. 821 & 511 VALVE	2"	1 1/2"	1/2"	1/2"	WALL MOUNTED SHOWER HEAD & VALVE COMPLETE W/J.R. SMITH NO. 2005-A DRAIN W/NICKEL BRONZE TOP
M.S.	MOP SINK	POWER FIAT NO. MSB-2424	3"	2"	1/2"	1/2"	MOLDED STONE MOP SINK W/830-AA FAUCET, 832AA HOSE AND HOSE BRACKET & DEEP SEAL P-TRAP
EW	ELECTRIC WATER COOLER	OASIS NO. ODP7M-P	1 1/2"	1 1/2"	1/2"	-	WALL HUNG WATER COOLER WITH COLOR AS SELECTED BY ARCH.
B.H.	BOX HYDRANT	J.R. SMITH NO. 5810	-	-	3/4"	-	BRONZE HYDRANT W/ROUGH BRONZE BOX W/LOCKING COVER
F.D.'A	FLOOR DRAIN TYPE 'A'	J.R. SMITH NO. 2508-U	4"	2"	1"	-	FLOOR DRAIN W/SLOAN 154 FLUSH VALVE REFER TO DETAIL ON SHEET P-4
F.D.'B	FLOOR DRAIN TYPE 'B'	J.R. SMITH NO. 2110	3"	2"	-	-	FLOOR DRAIN W/CAST IRON TOP & DEEP SEAL P-TRAP
F.D.'C	FLOOR DRAIN TYPE 'C'	J.R. SMITH NO. 1418	4"	2"	-	-	FLOOR DRAIN W/NICKEL BRONZE STRAINER
F.D.'D	FLOOR DRAIN TYPE 'D'	J.R. SMITH NO. 2110-B-PB	4"	2"	-	-	FLOOR DRAIN W/POLISHED BRONZE TOP, SEDIMENT BUCKET & DEEP SEAL P-TRAP
R.D.	ROOF DRAIN	J.R. SMITH NO. 1010RC	AS NOTED ON DRAWINGS				

SHEPHERD + BOYD
ARCHITECTS/PLANNERS & INTERIORS
6000 BOULDER BLVD SUITE 800
DALLAS TEXAS 75226
214/691-9000
TELEPHONE

A NEW POLICE FACILITY FOR THE
TOWN OF ADDISON
4799 AIRPORT PARKWAY
ADDISON, TEXAS 75248

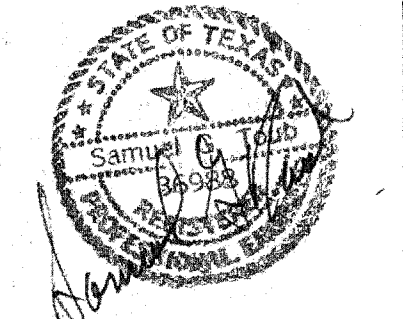


REVISIONS

NO.	DATE	DESCRIPTION

DATE
7-12-82

SHEET
P-4



S. TOUB & ASSOC.
CONSULTING ENGINEERS
DALLAS TEXAS