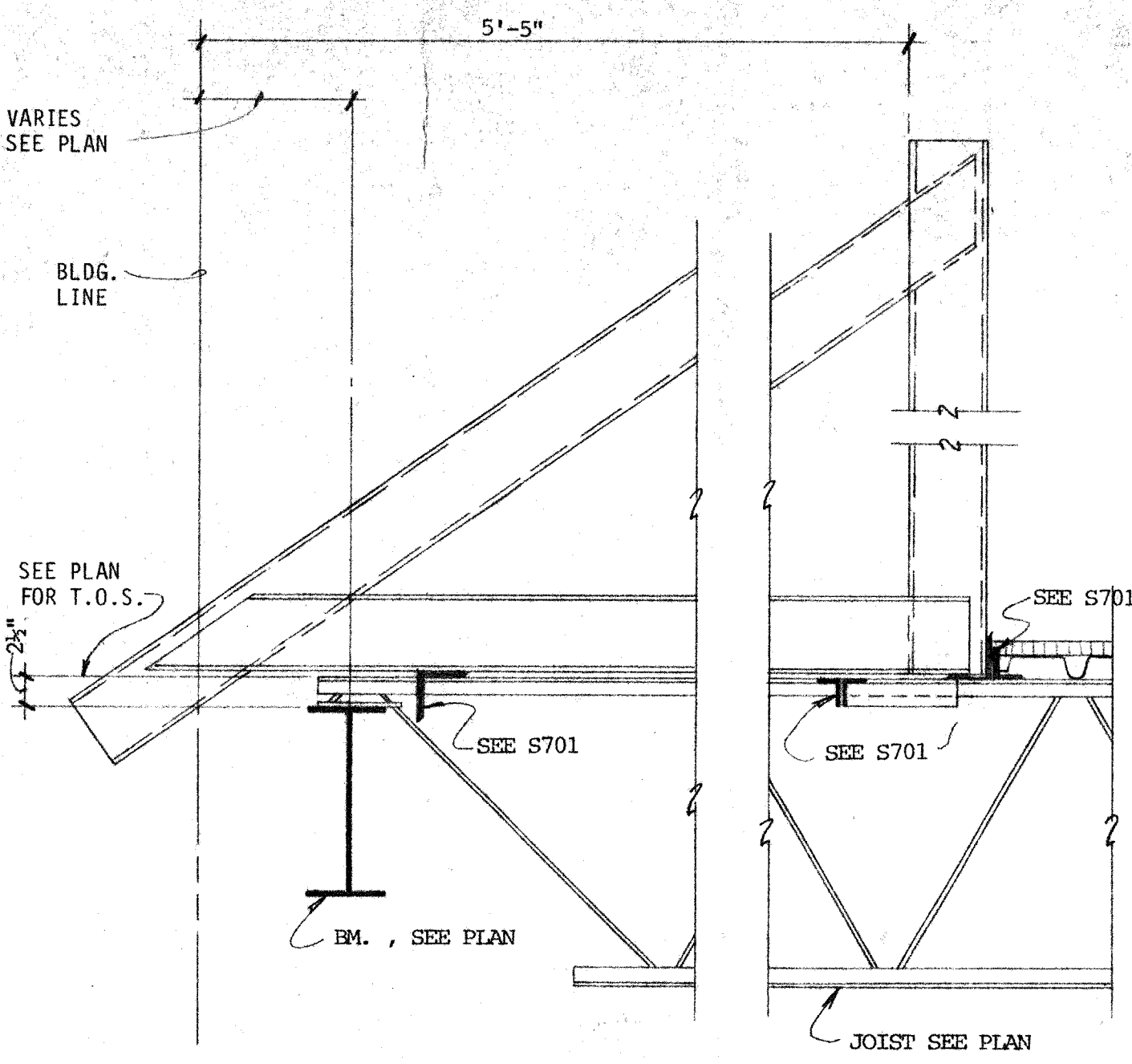
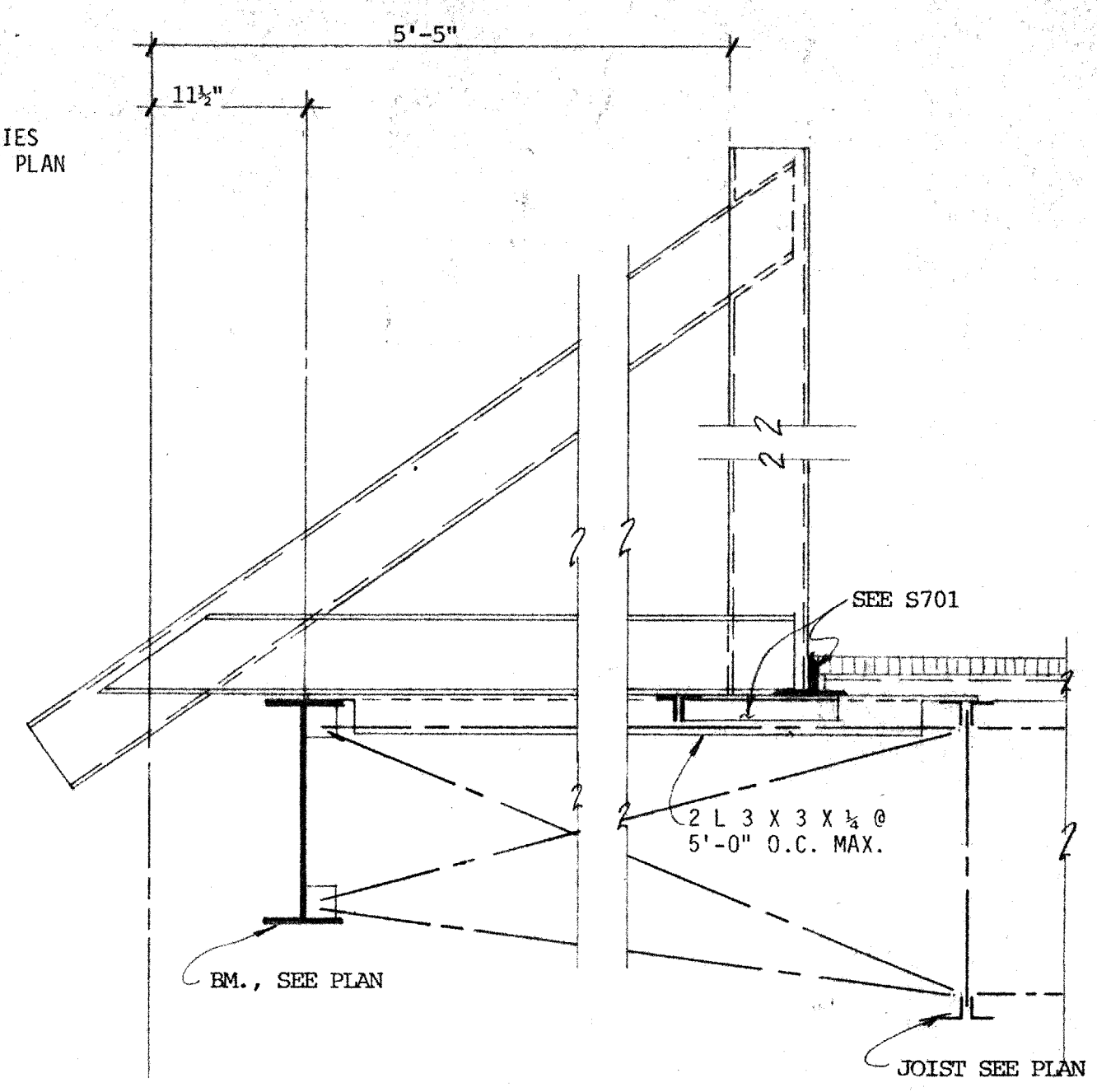


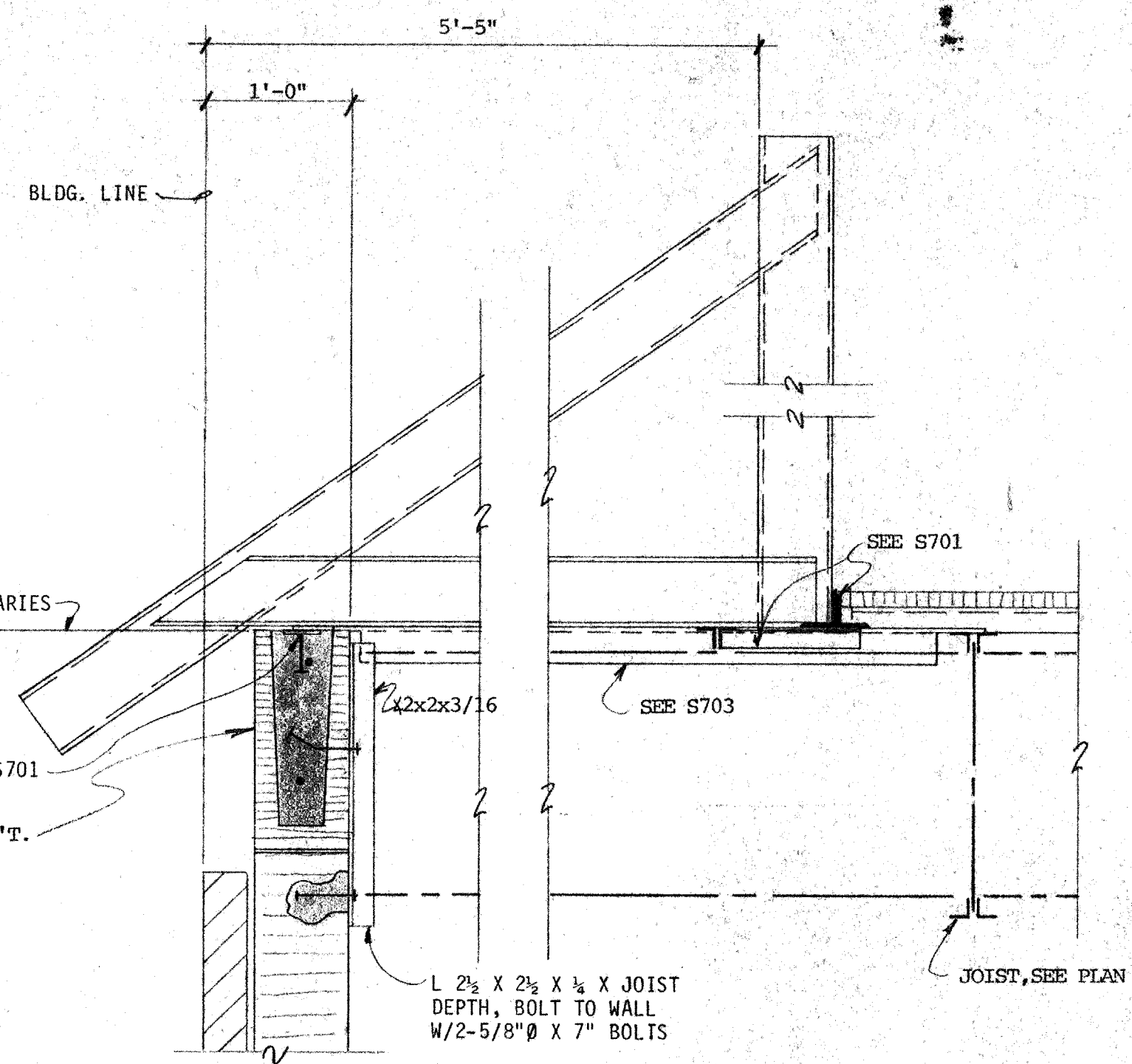
S700 SECTION



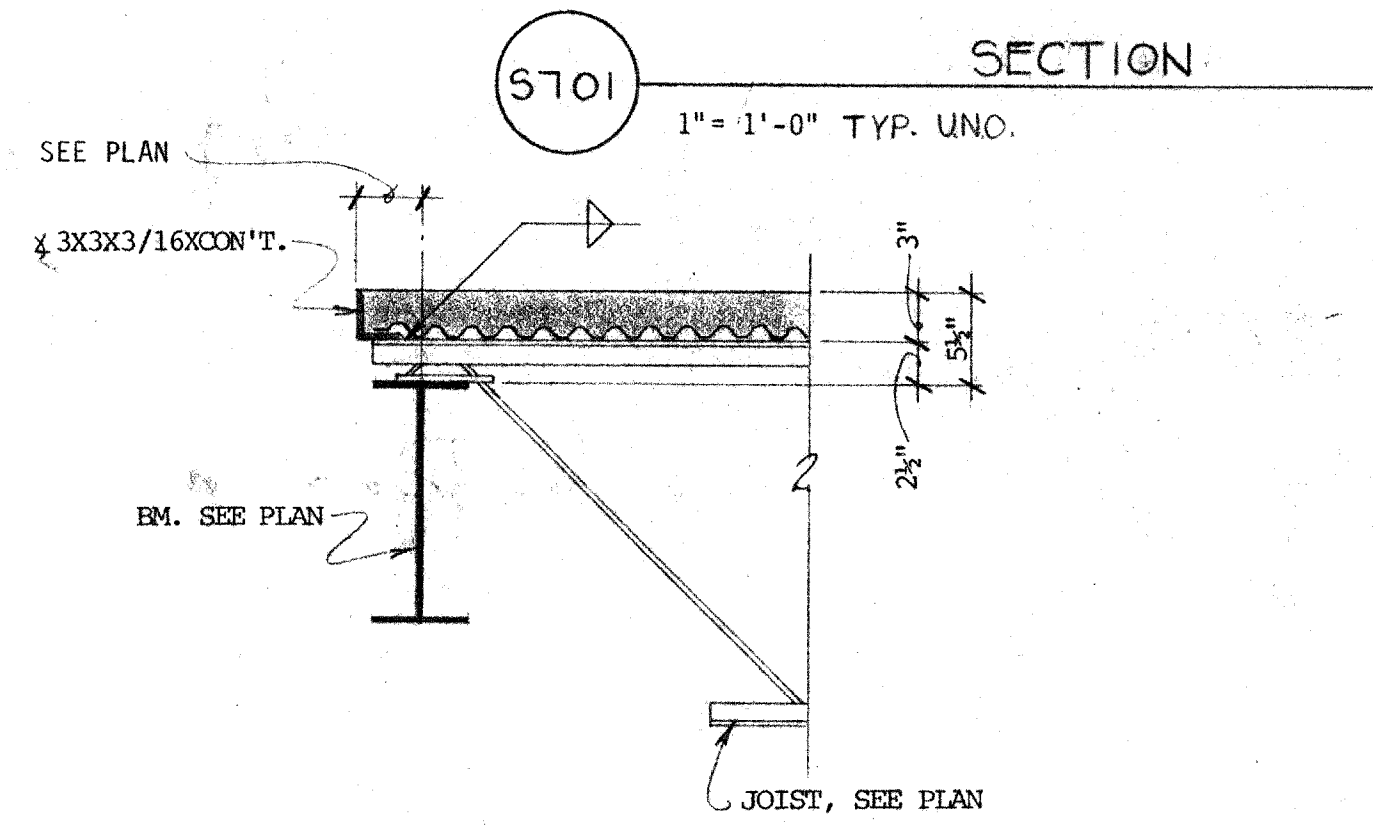
S701 SECTION



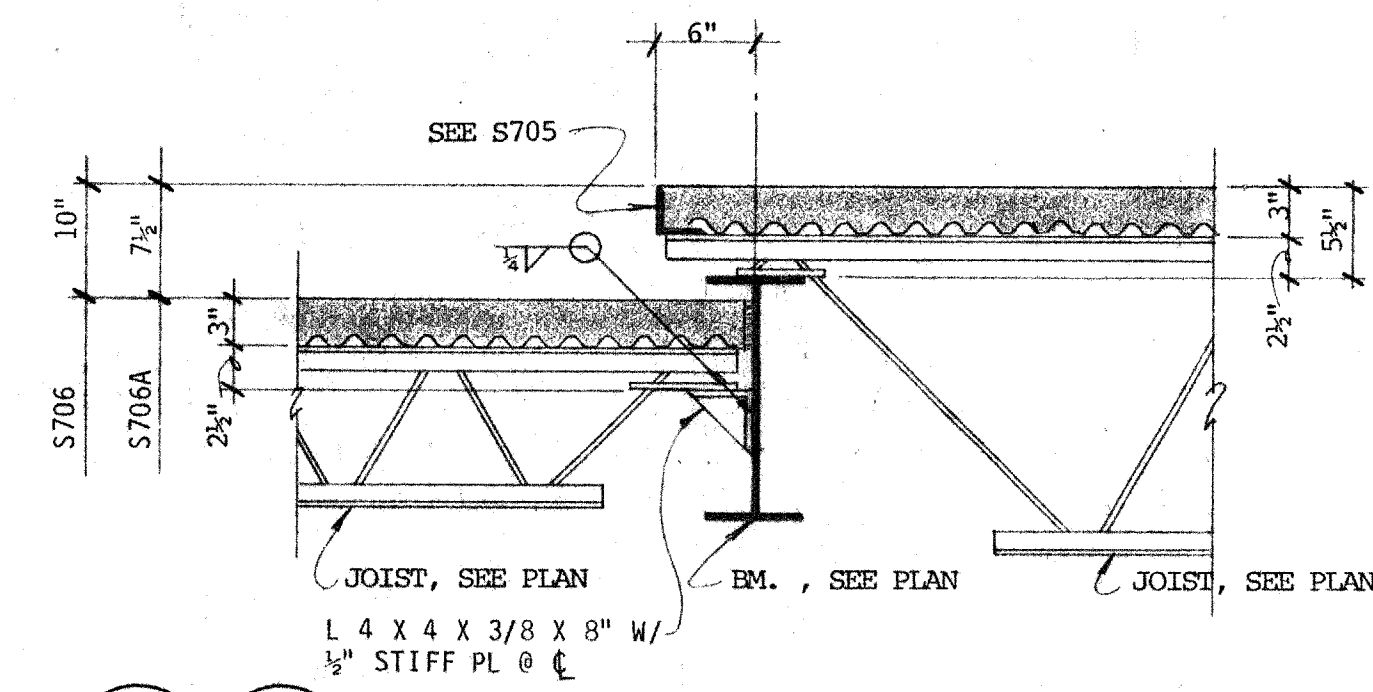
S702 SECTION



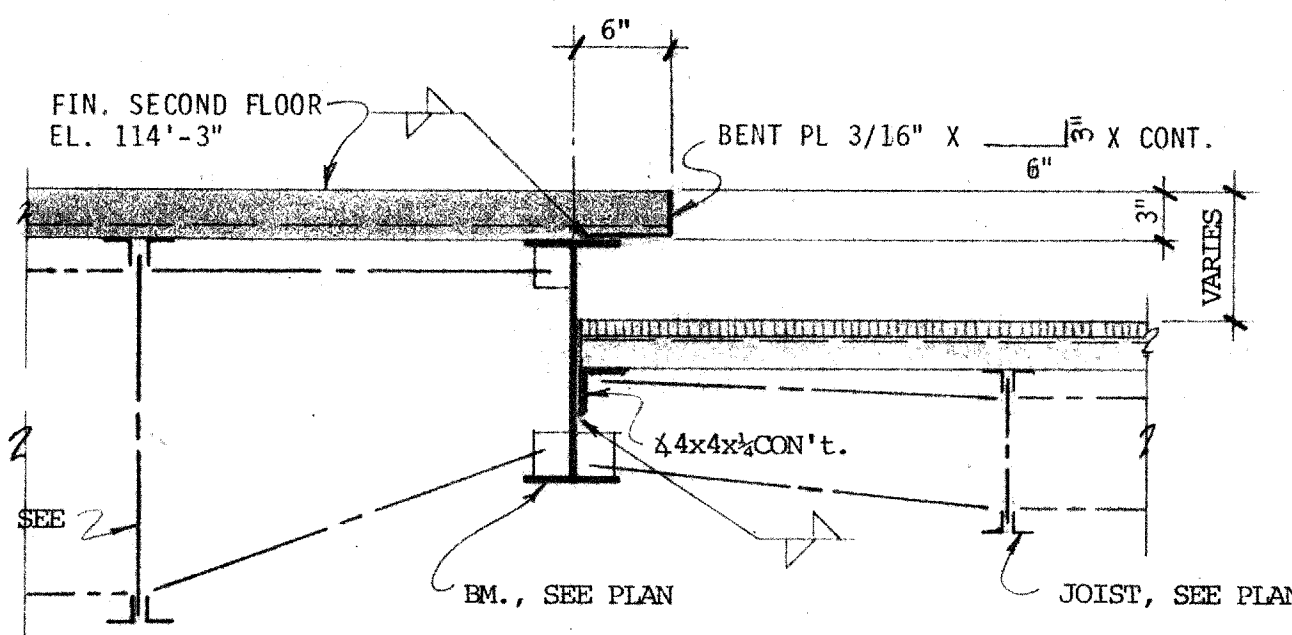
S703 SECTION



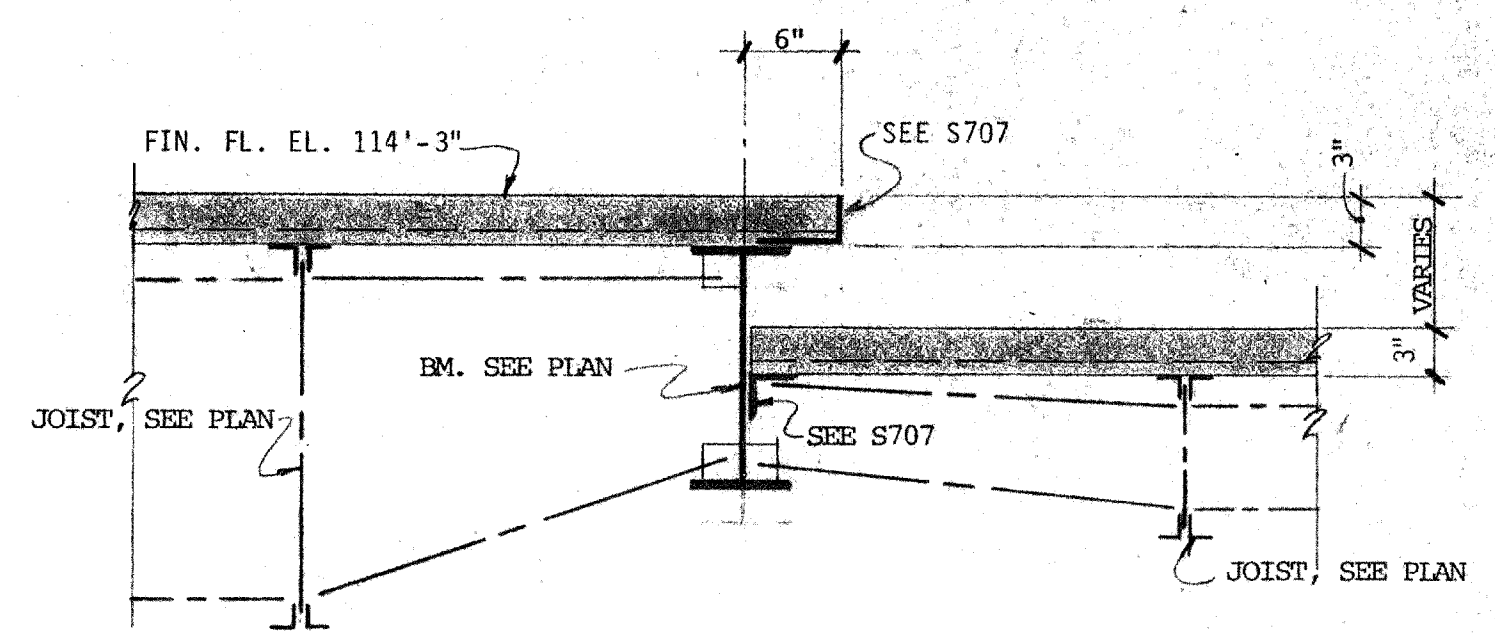
S704 SECTION



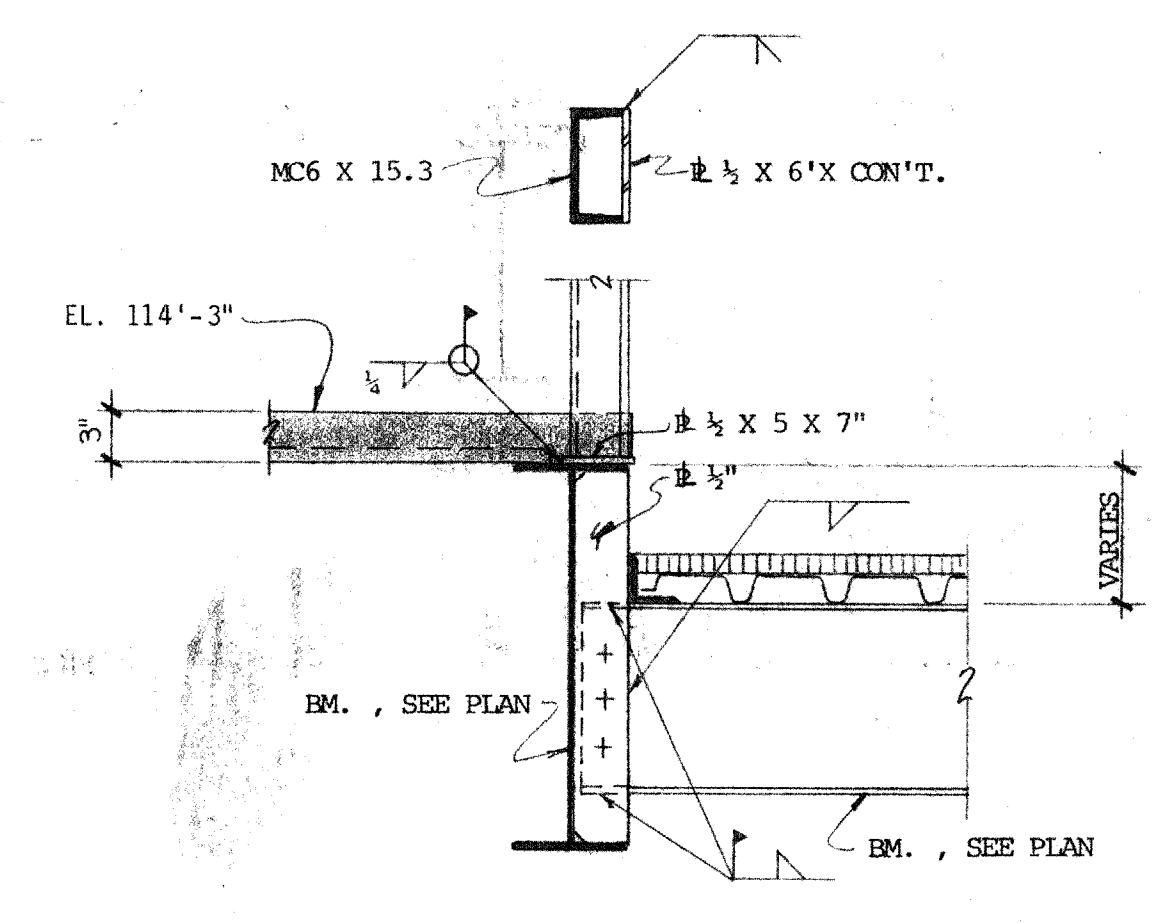
S705 SECTION



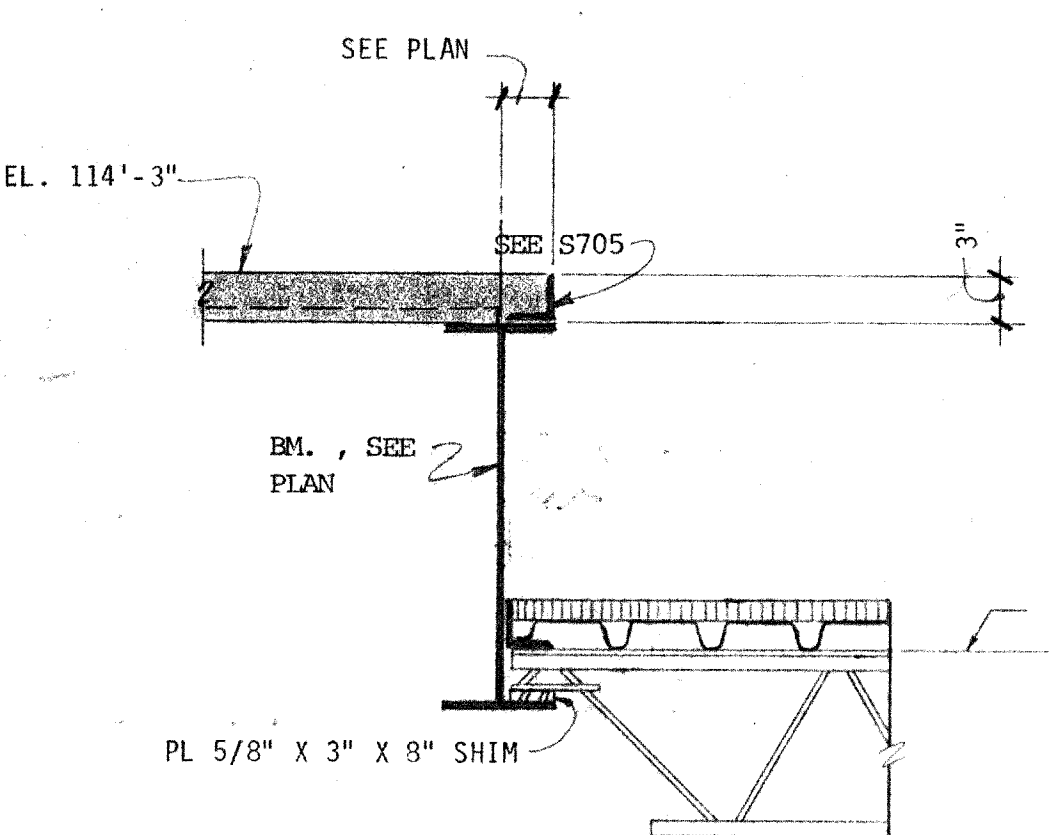
S706 SECTION



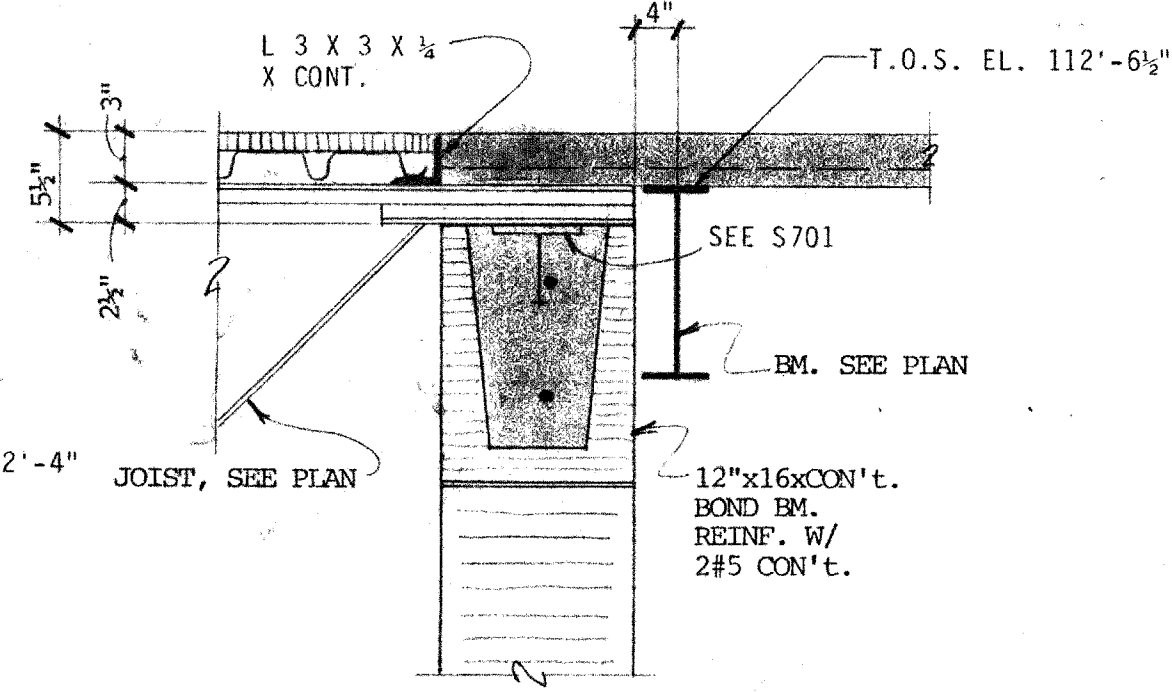
S707 SECTION



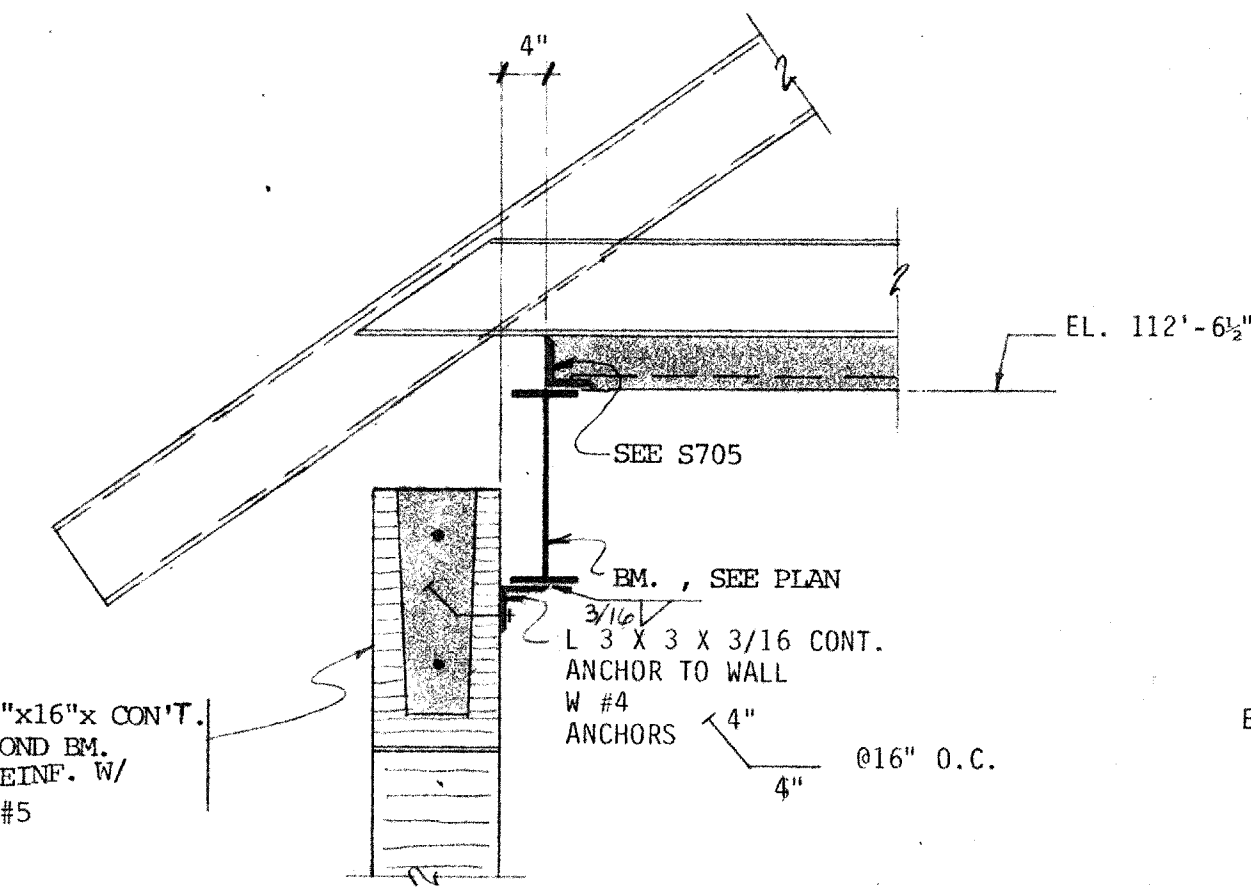
S708 SECTION



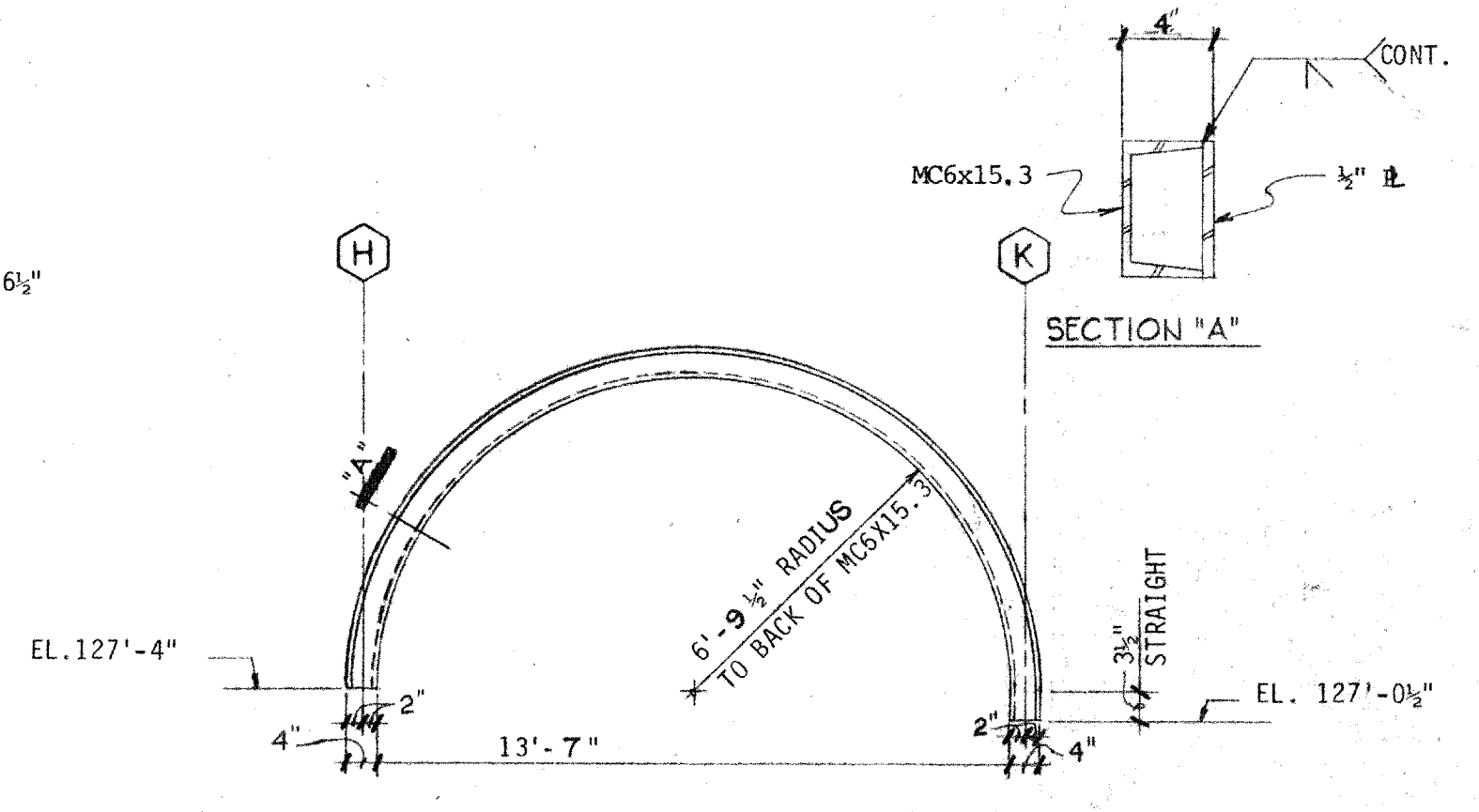
S709 SECTION



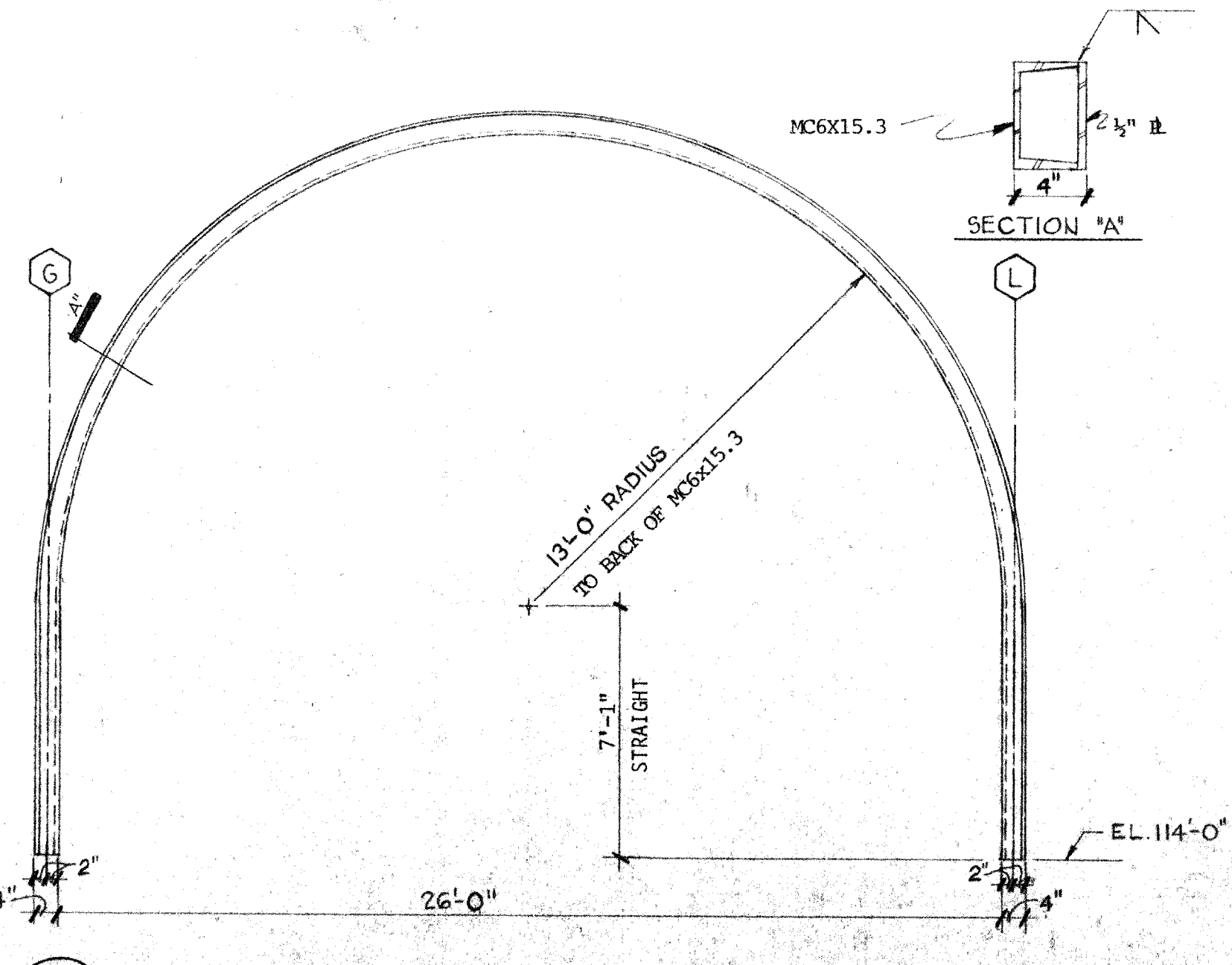
S710 SECTION



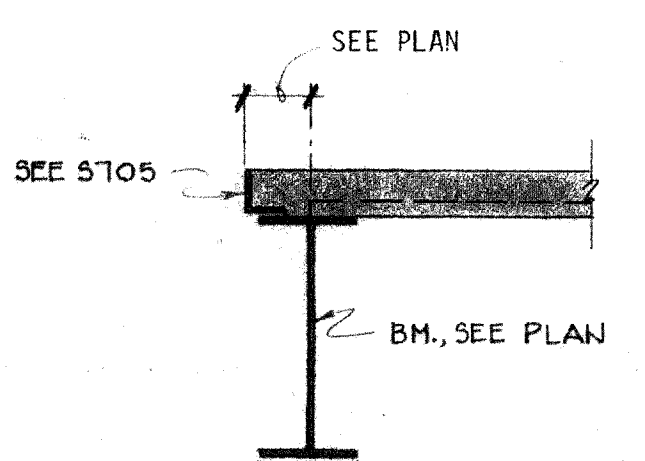
S711 SECTION



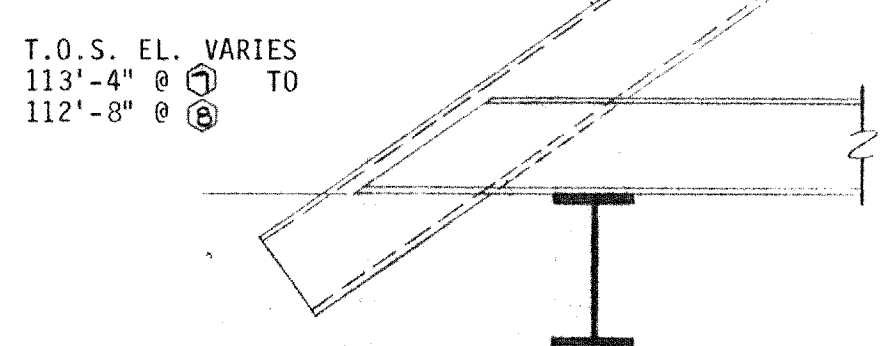
S712 DETAIL



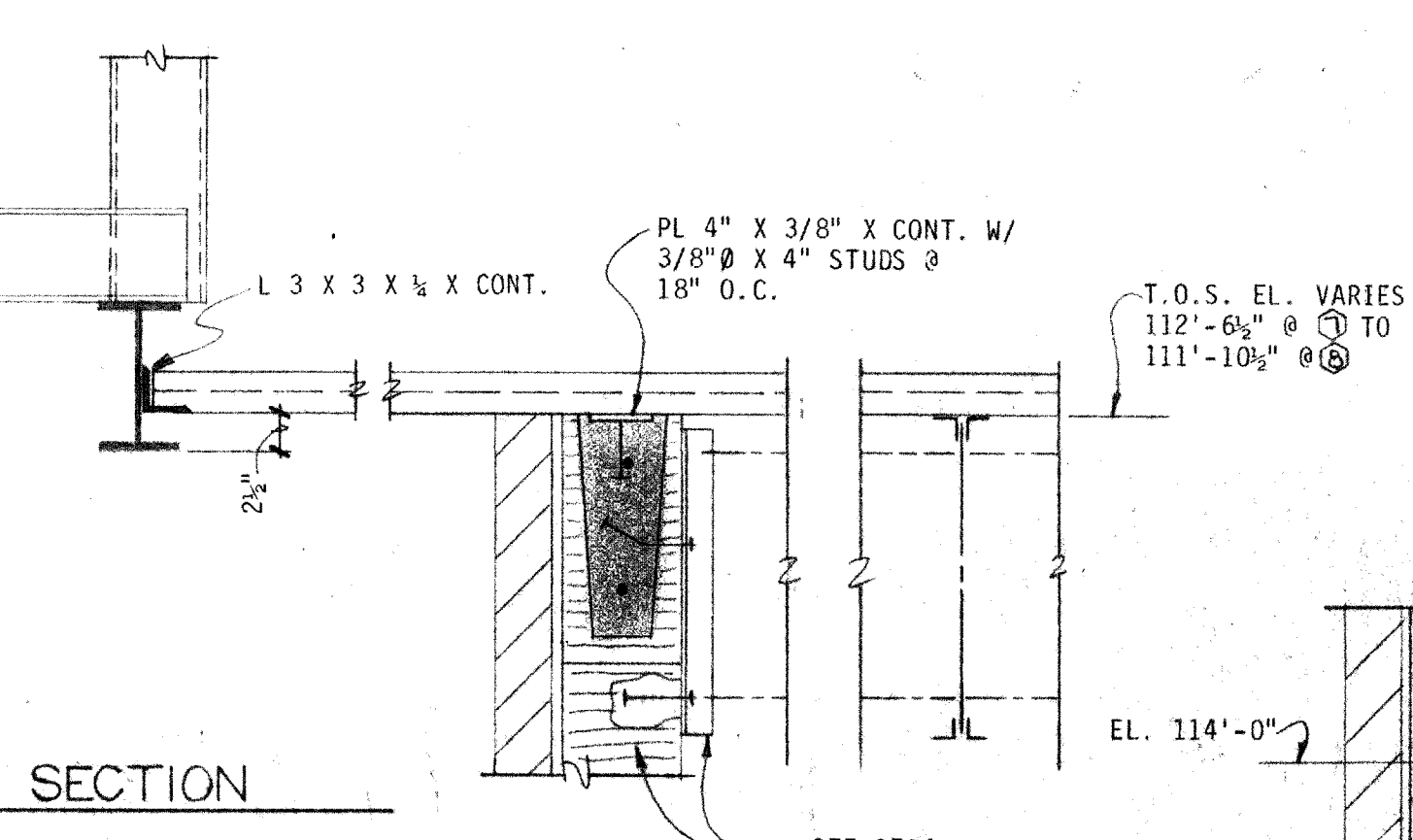
S713 DETAIL



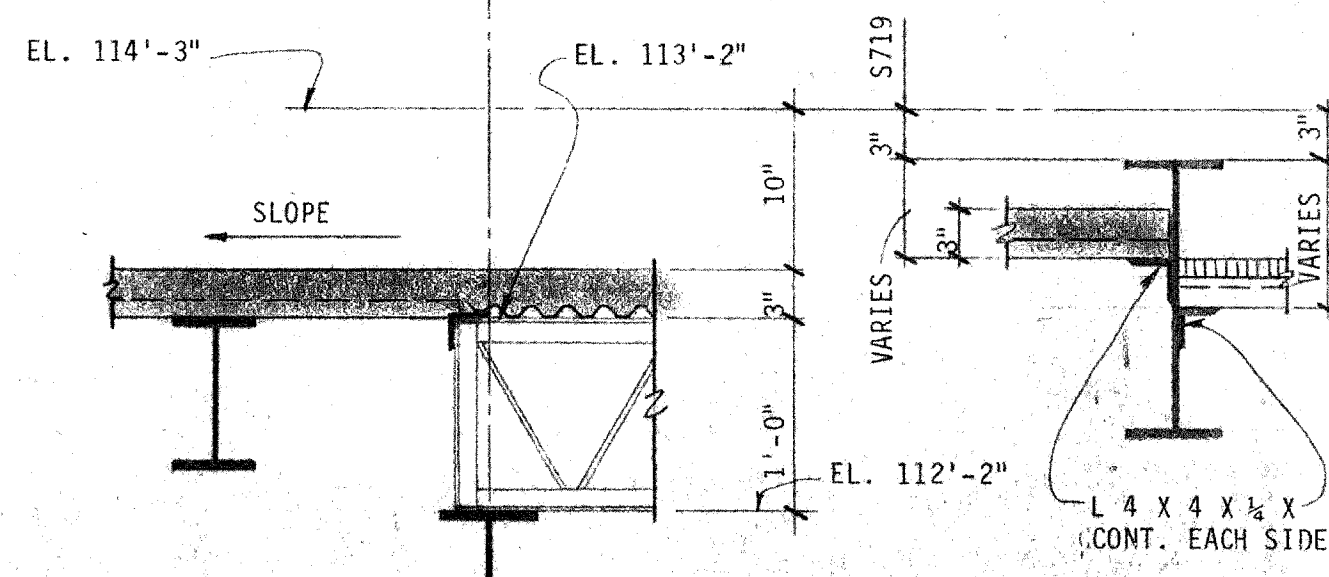
S714 SECTION



S715 SECTION

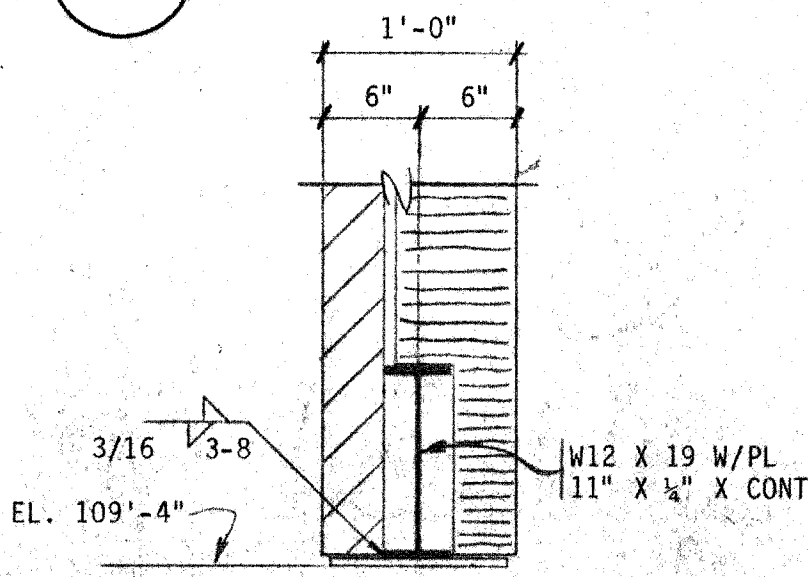


S716 SECTION



S717 SECTION

S718 SECTION



S719 DETAIL

**SHEPHERD + BOYD**  
ARCHITECTS/PLANNERS & INTERIORS  
8235 DOUGLAS AVENUE  
DOUGLAS BUILDING SUITE 900  
DALLAS, TEXAS 75268  
TELEPHONE 214/751-5000

A NEW POLICE FACILITY FOR THE  
**TOWN OF ADDISON**  
4799 AIRPORT PARKWAY  
ADDISON, TEXAS 75248



NO.	REVISIONS	DATE

DATE 7-12-82

SHEET  
**37**

**SLIDER/REED, INC.**  
STRUCTURAL ENGINEERS AND PLANNERS  
DALLAS, TEXAS 214-748-0416