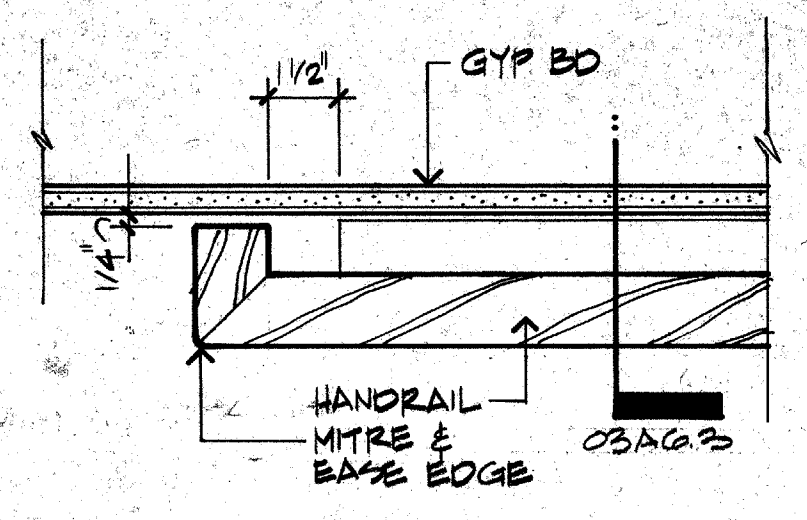
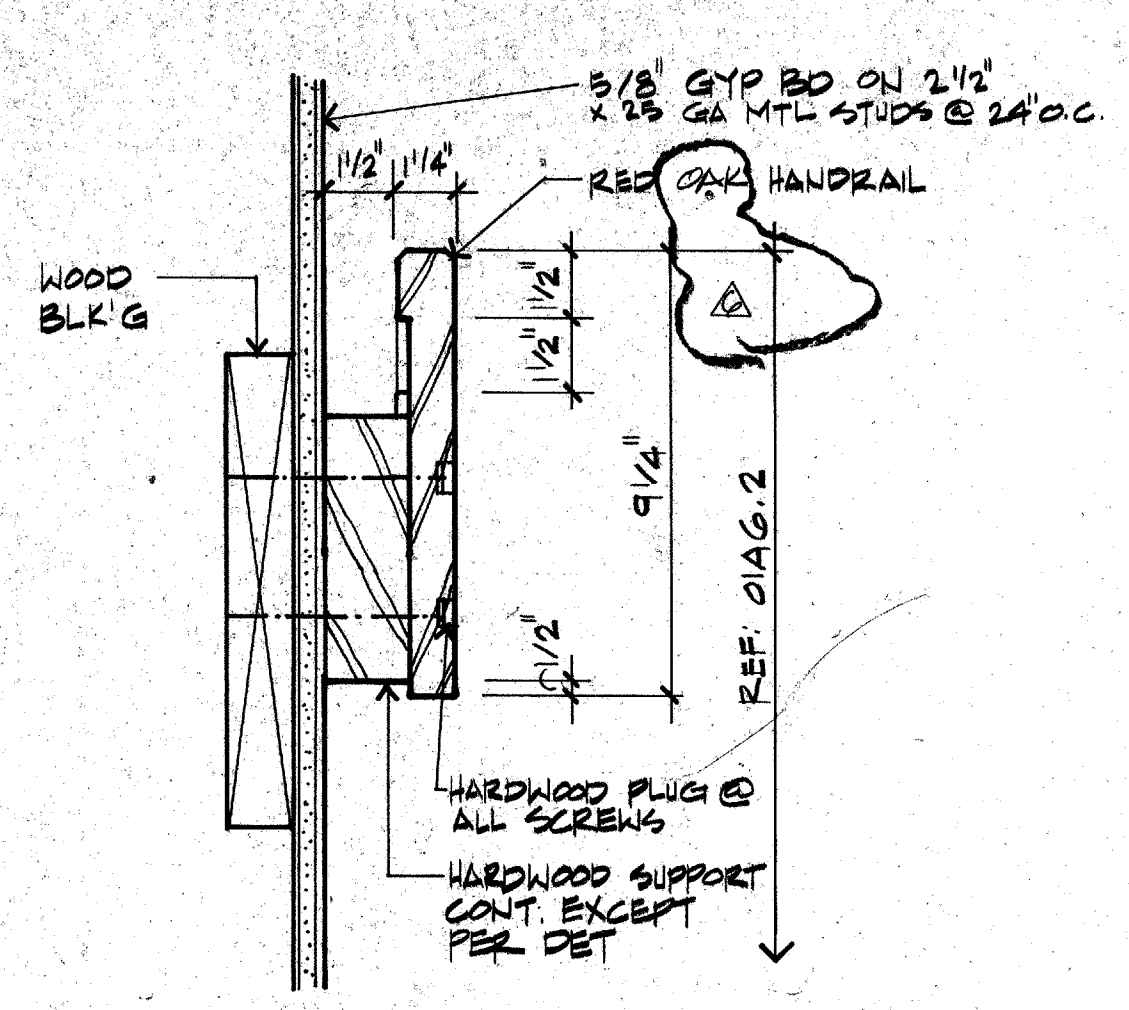


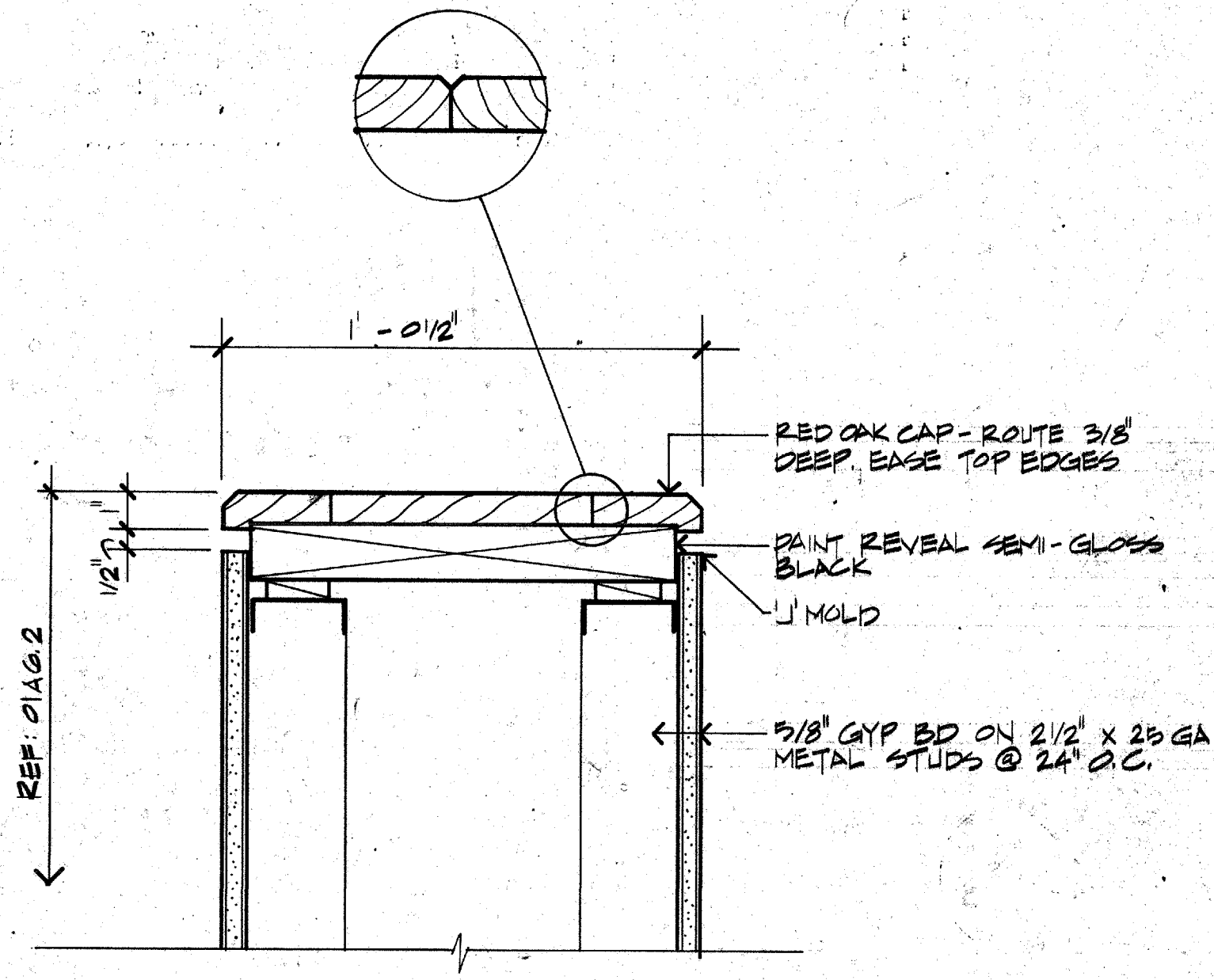
A B C D E F G H I J K L M N O P Q R S T U V W X Y Z AA BB CC DD EE FF GG HH II JJ KK LL MM NN OO PP QQ RR SS TT UUU VV WW XX YY ZZ



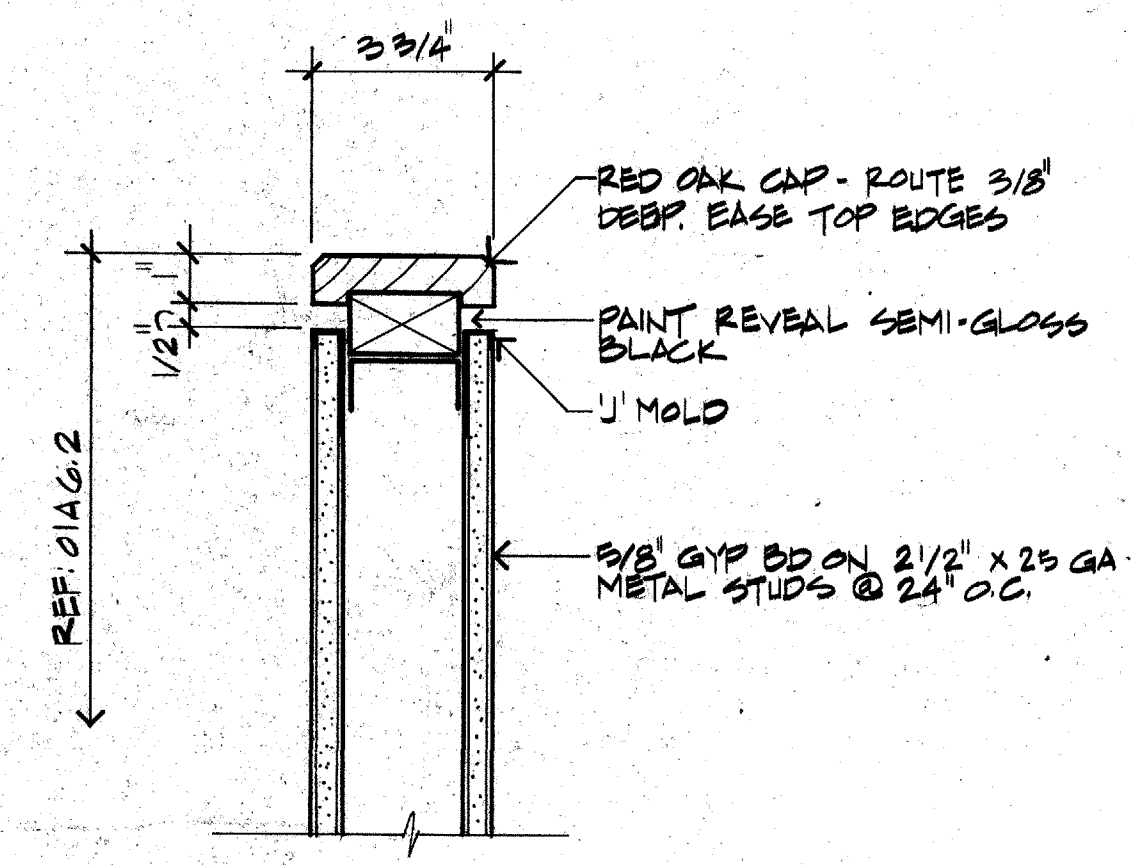
05 HANDRAIL DETAIL
A6.3 3" = 1'-0"



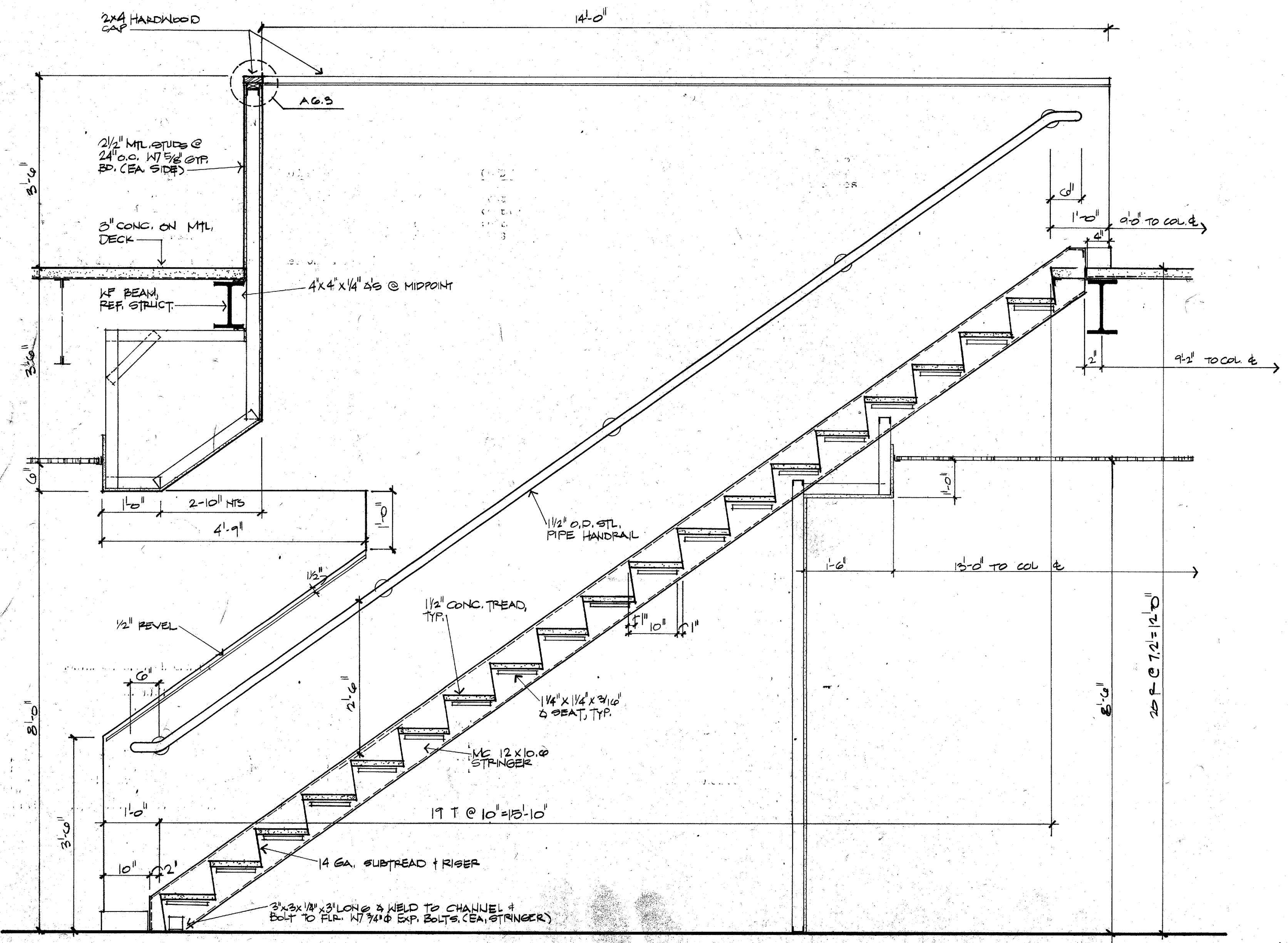
03 HANDRAIL DETAIL
A6.3 3" = 1'-0"



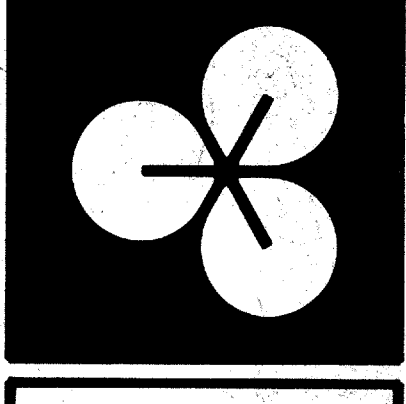
04 WALL DETAIL
A6.3 3" = 1'-0"



02 WALL DETAIL
A6.3 3" = 1'-0"



01 STAIR SECTION
A6.3 3/4" = 1'-0"



EDI ARCHITECTS, INC.
ARCHITECTURE PLANNING INTERIOR DESIGN
8440 WALNUT HILL LANE
SUITE 100
DALLAS, TEXAS 75231
514 / 780-1848

TOWN OF
ADDISON

**ADDITION TO
PUBLIC WORKS SERVICE CENTER**
Westgrove Road
Addison Texas

DATE:
11 JUNE 86
24 JULY 1986 - BID
REV 67 002.86

SHEET NO:
LANDSCAPE DEVELOPMENT
TOWN OF ADDISON
A 6.3
OF SHEETS
JOB NO: 851-137