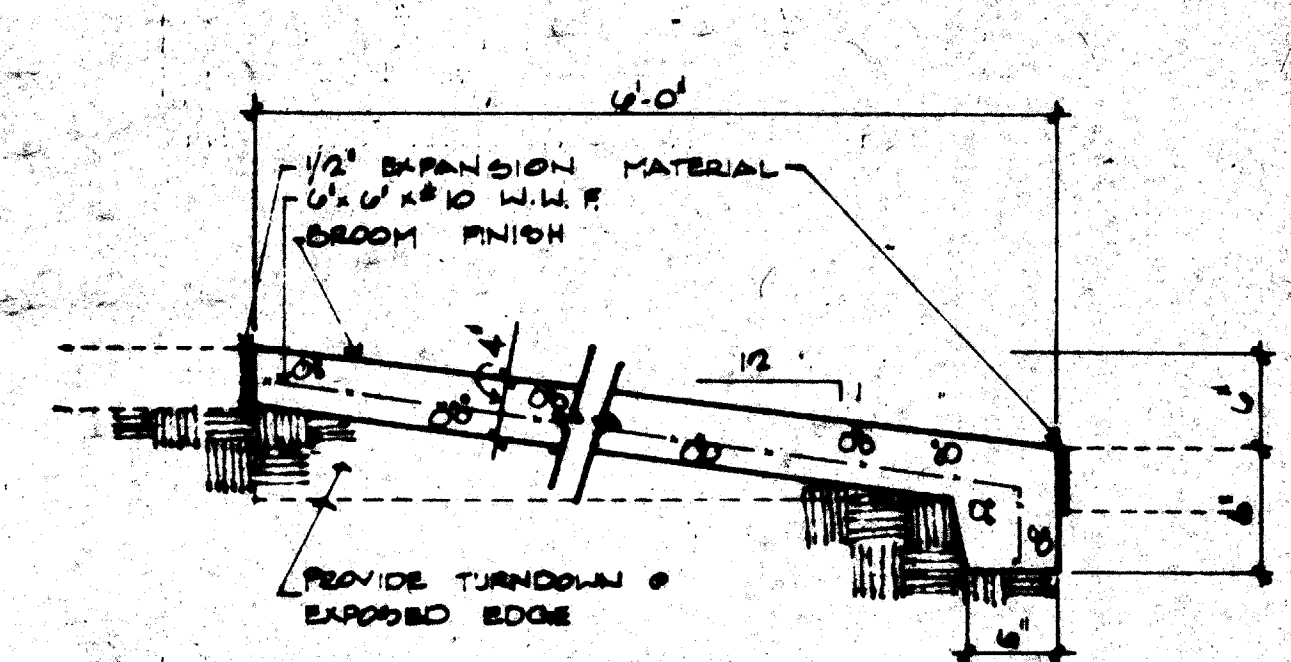
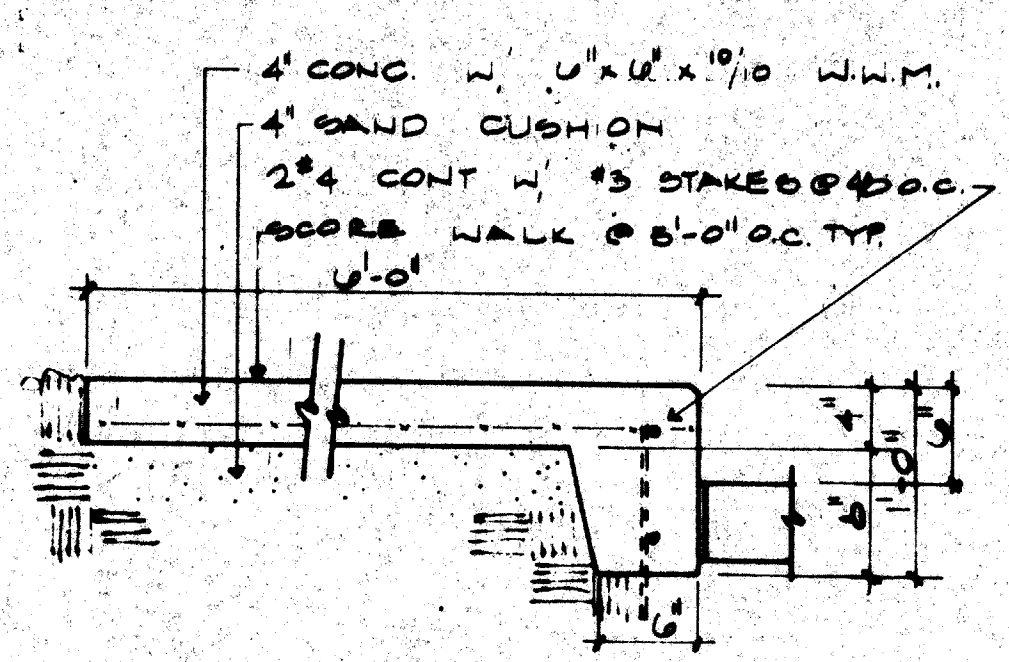


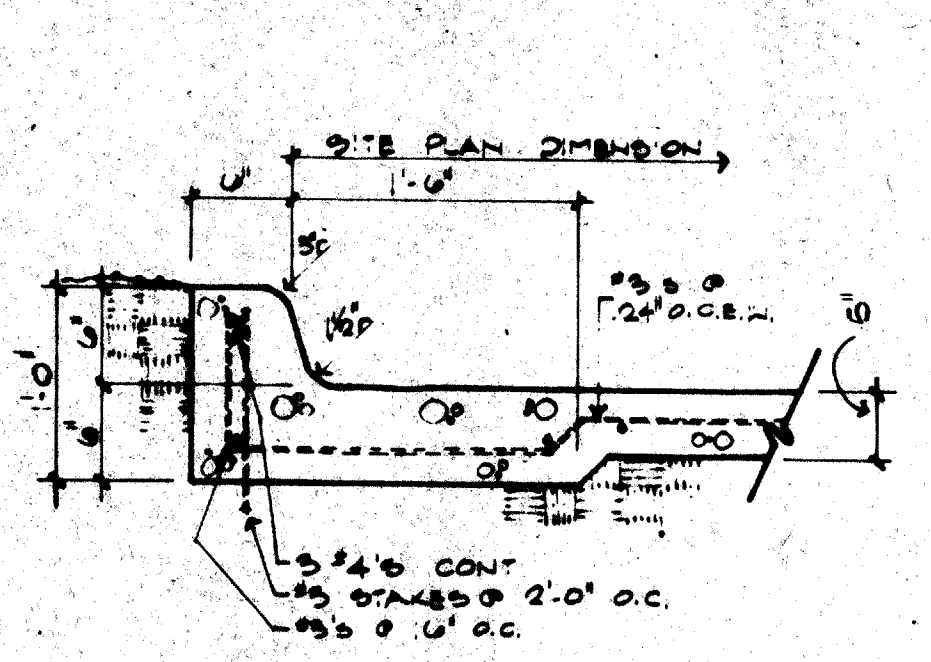
16 WALL ELEVATION
A1.4 1/4" = 1'-0"



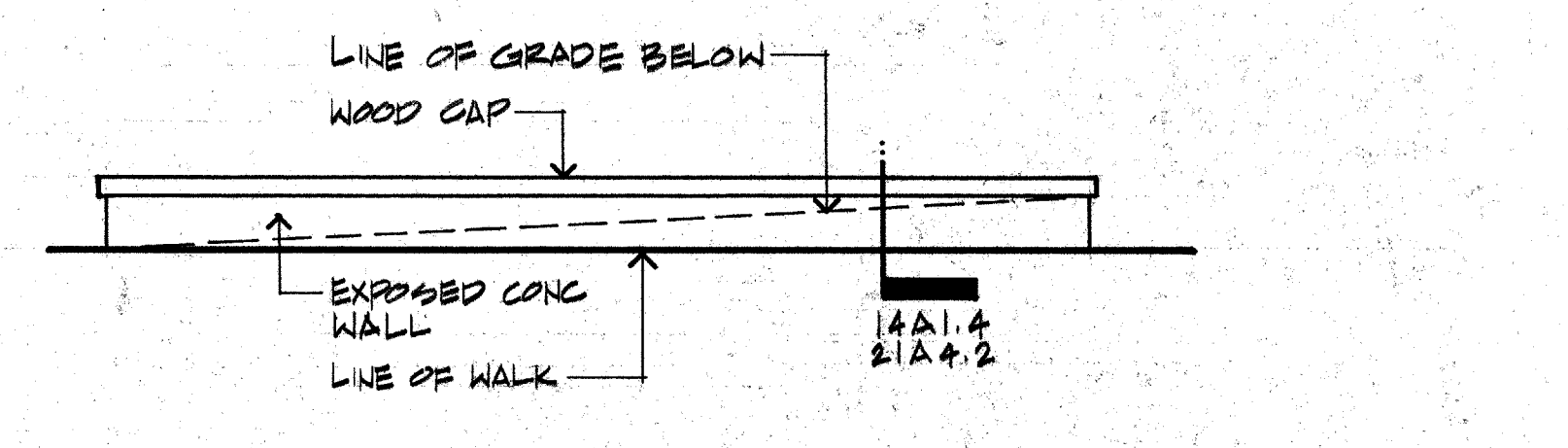
12 HANDICAP RAMP
A1.4 1" = 1'-0"



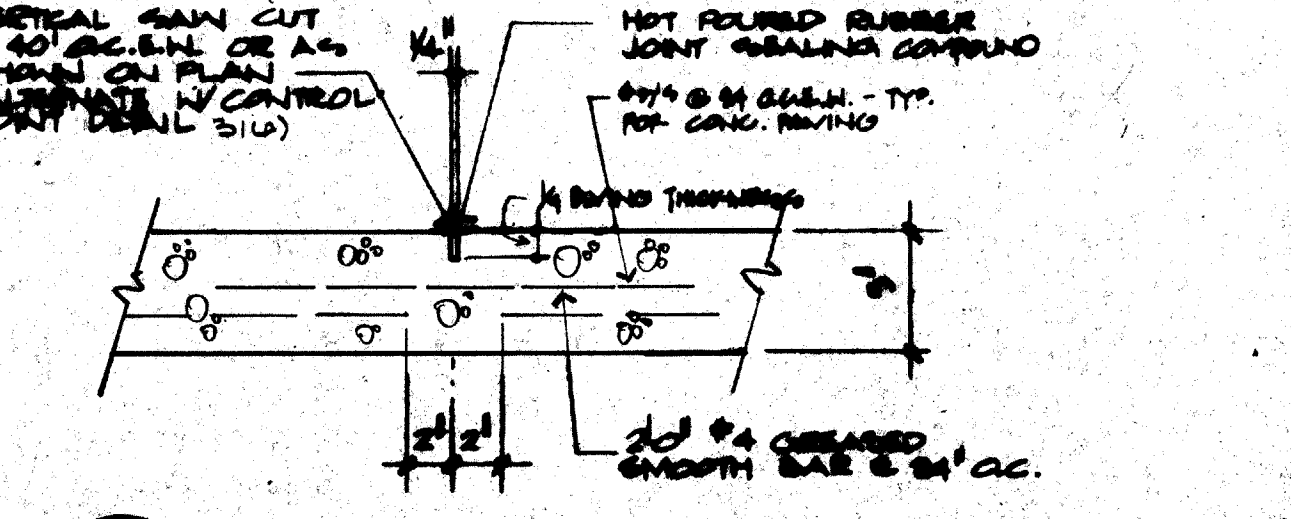
08 CONC. WALK
A1.4 1" = 1'-0"



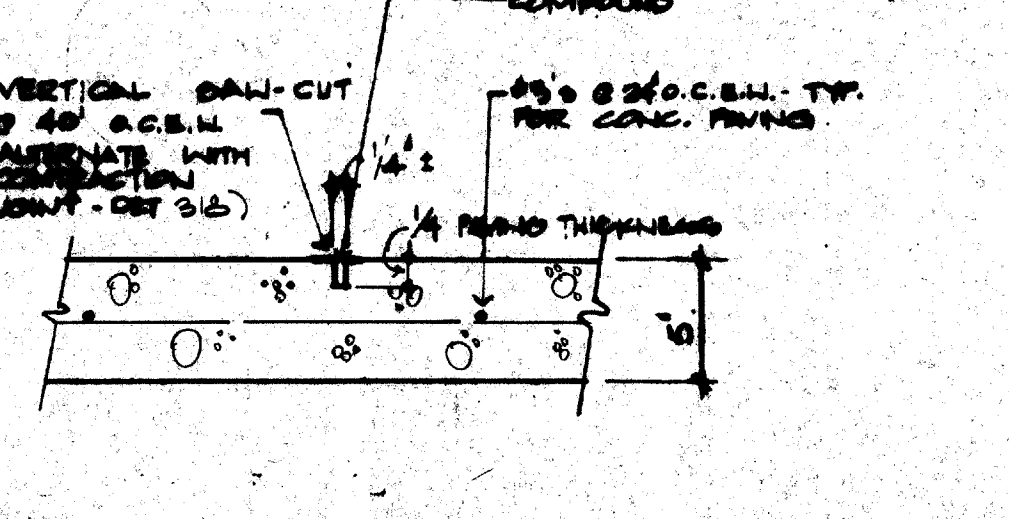
06 CONC. CURB
A1.4 1" = 1'-0"



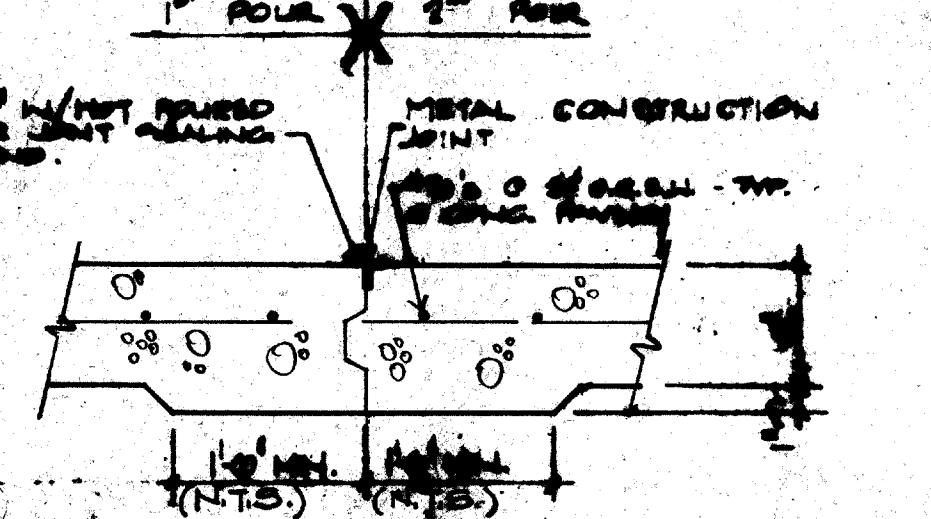
15 WALL ELEVATION
A1.4 1/4" = 1'-0"



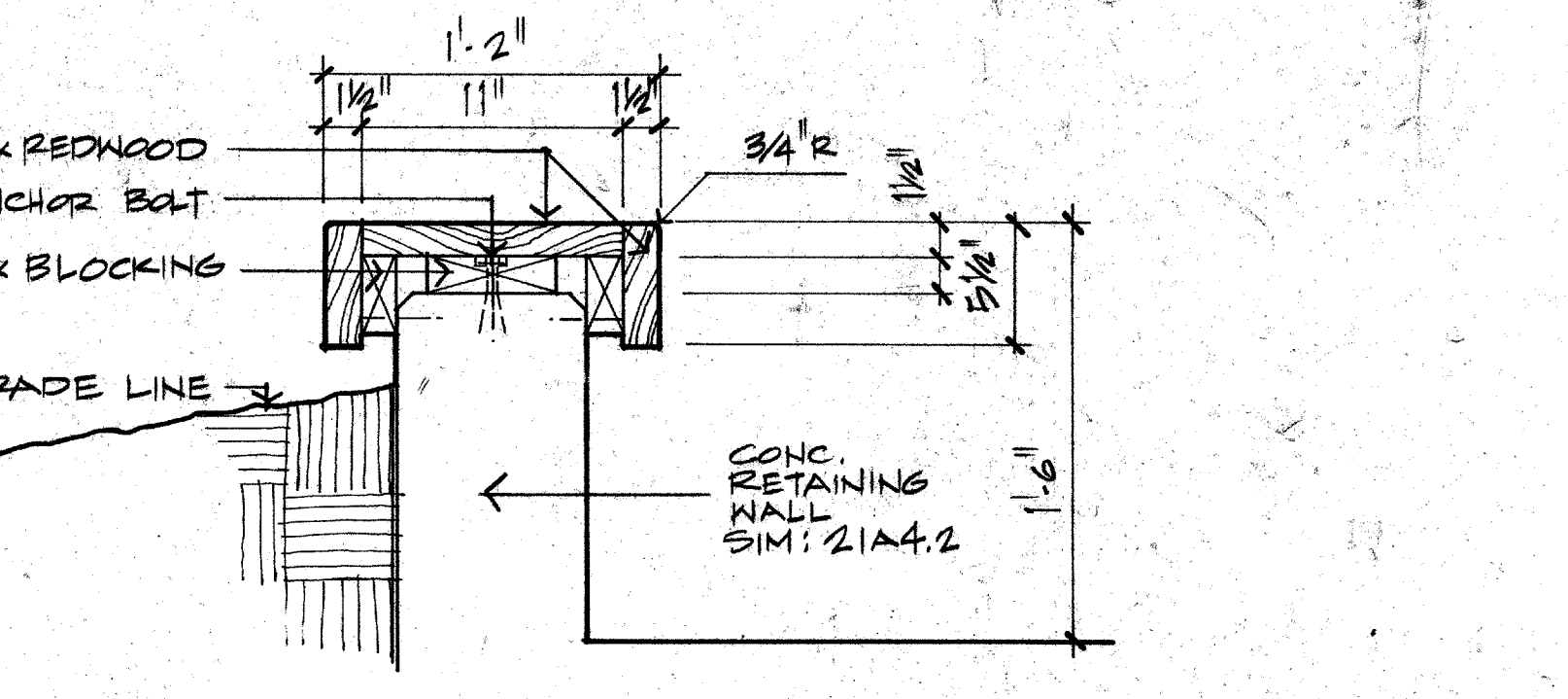
11 CONTRACTION JOINT
A1.4 1" = 1'-0"



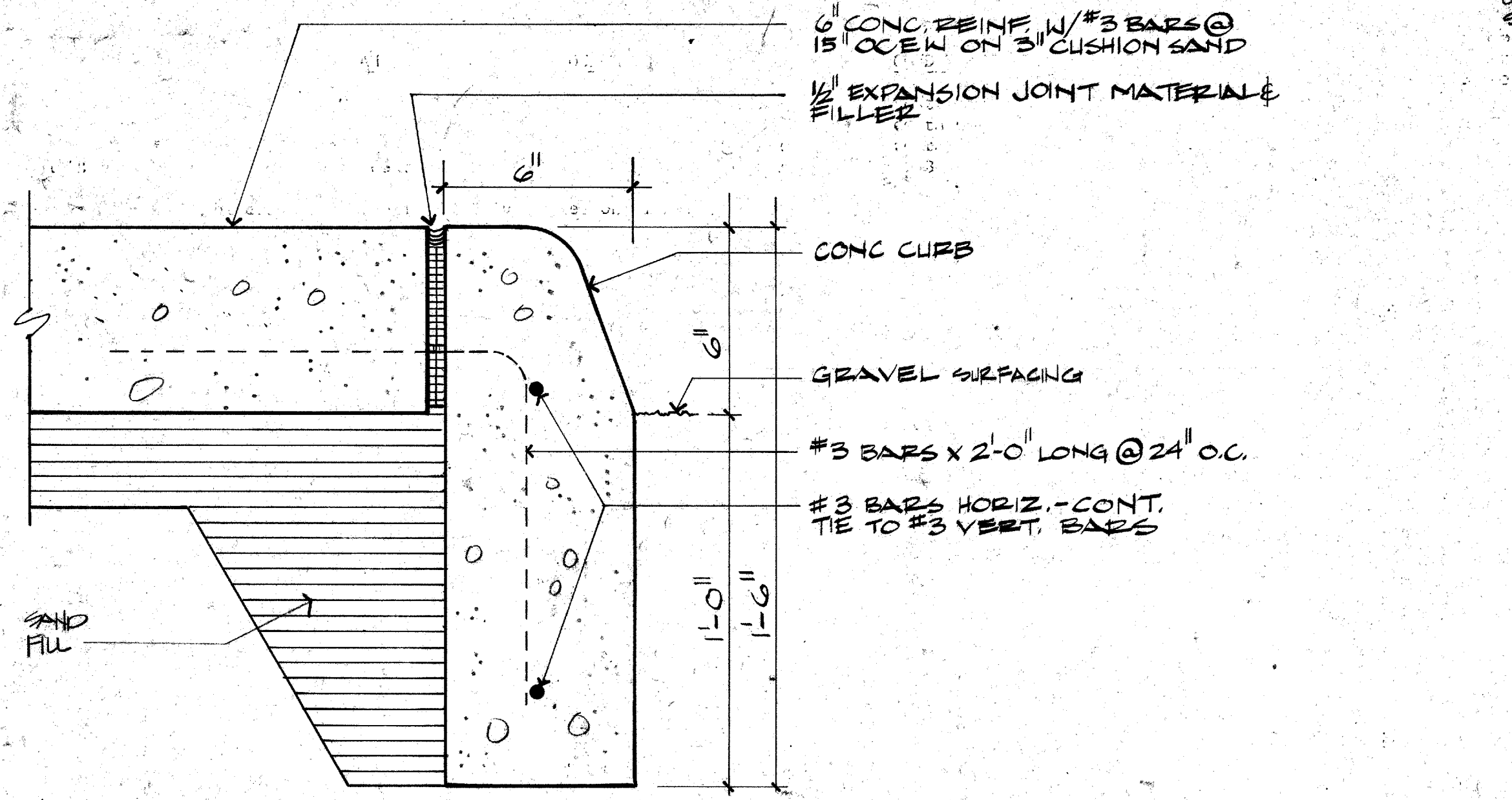
07 CONTROL JOINT
A1.4 1" = 1'-0"



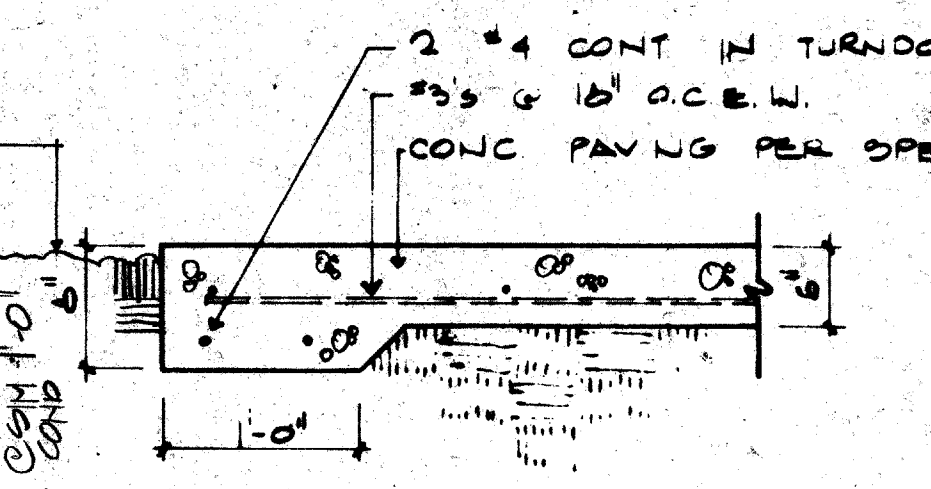
05 CONSTRUCTION JOINT
A1.4 1" = 1'-0"



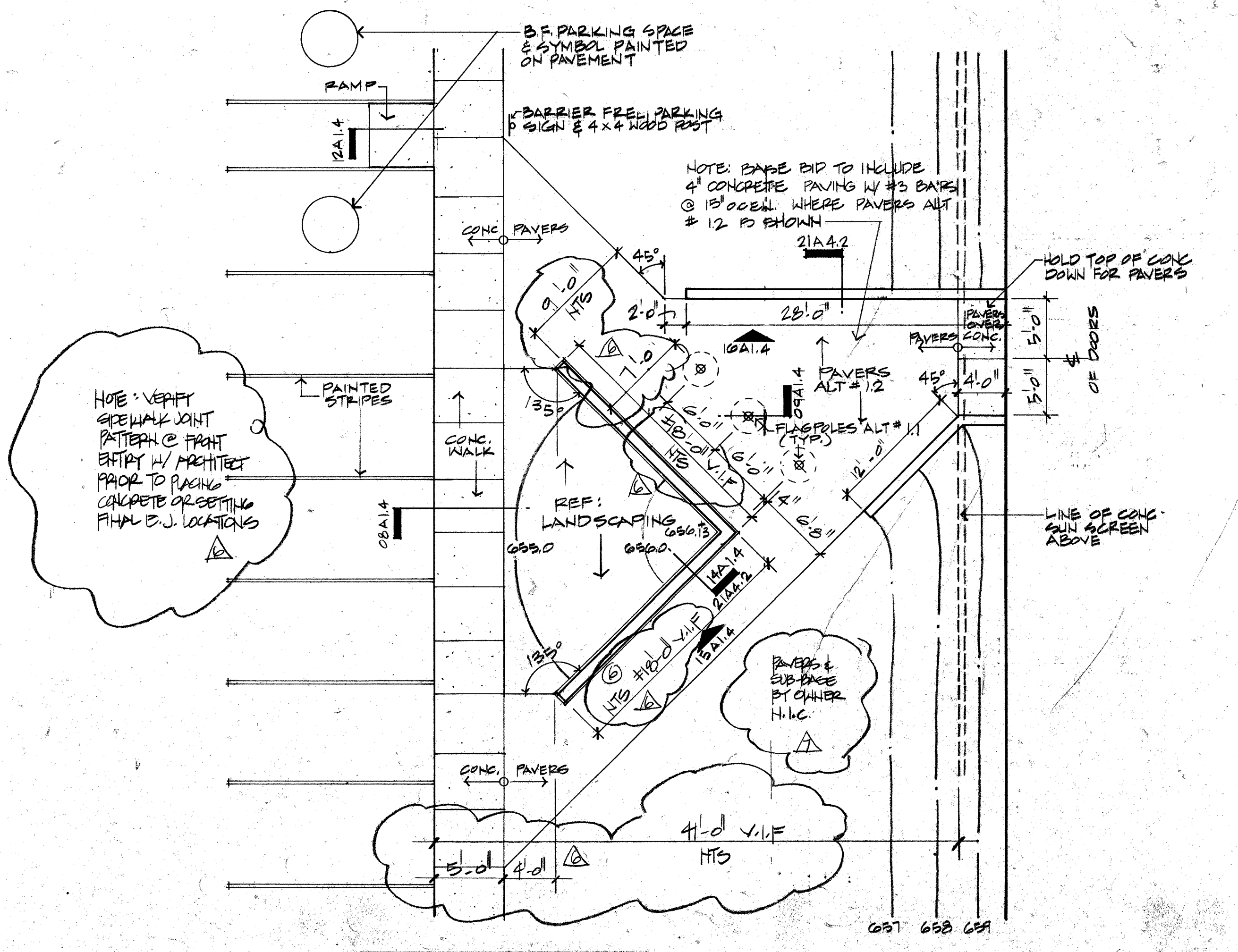
14 BENCH DETAIL
A1.4 1 1/2" = 1'-0"



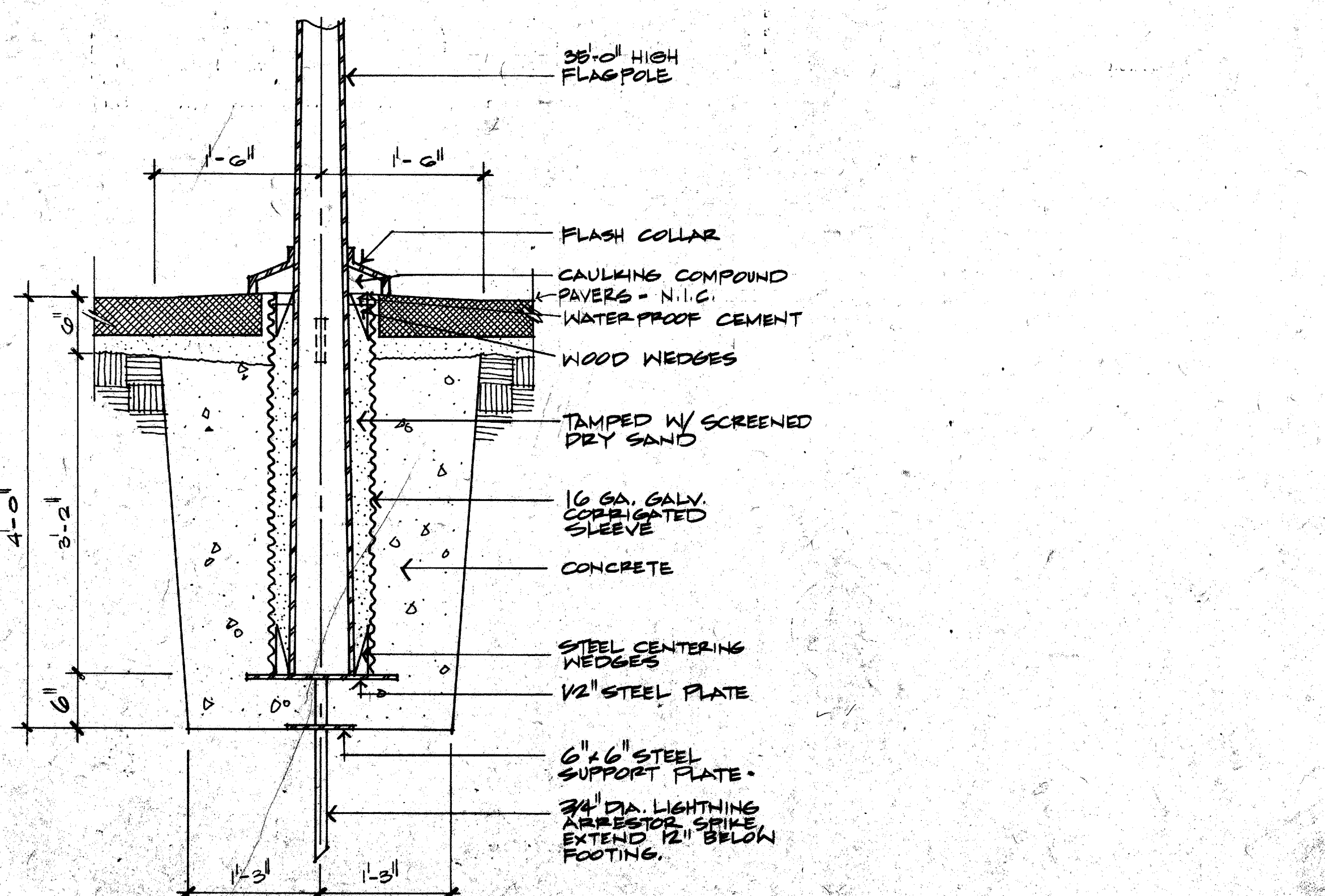
10 CURB DETAIL
A1.4 3" = 1'-0"



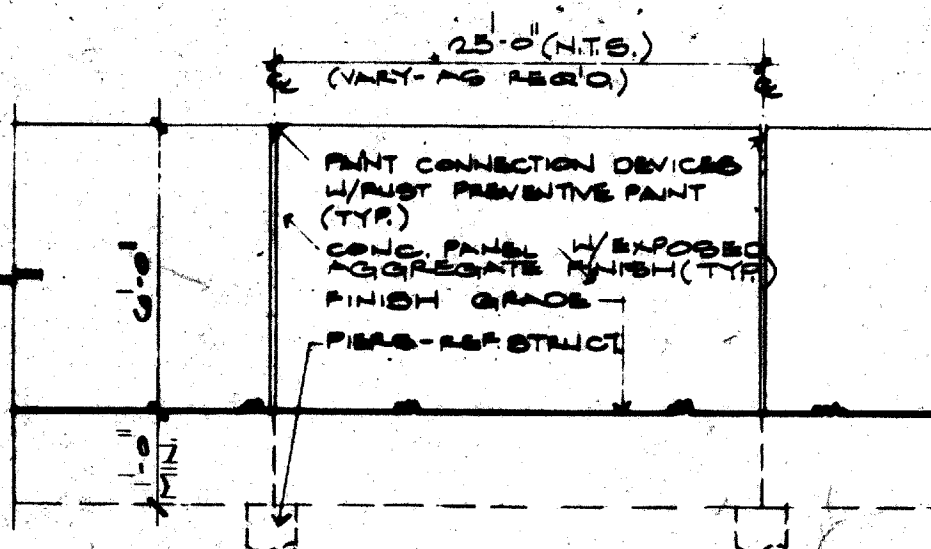
04 PAVING STOP
A1.4 1" = 1'-0"



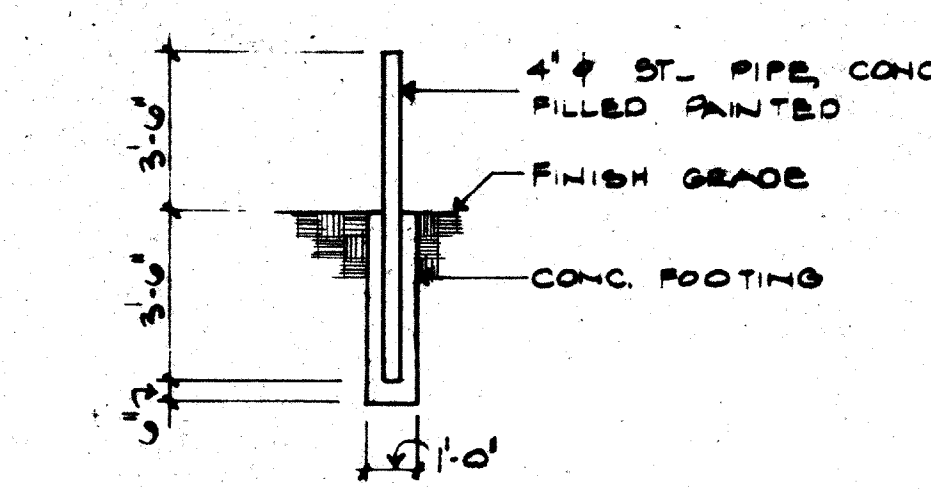
13 ENTRANCE PLAN
A1.4 1/8" = 1'-0"



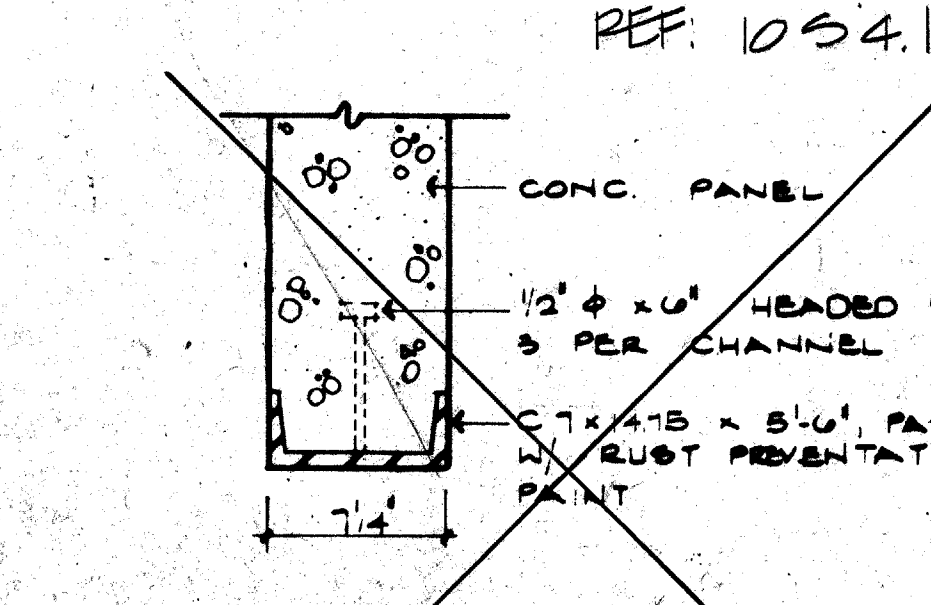
09 FLAGPOLE SECTION - ALT # 11
A1.4 1" = 1'-0"



08 PANEL DETAIL
A1.4 1/4" = 1'-0"



02 BOLLARD DETAIL
A1.4 3/4" = 1'-0"



01 PANEL END DETAIL
A1.4 1/4" = 1'-0"

EDI ARCHITECTS, INC.
ARCHITECTURE PLANNING ENGINEERING INTERIOR DESIGN
8440 WALNUT HILL LANE
SUITE 100 EXAS 75231
AUSTIN, TEXAS 78751
512 / 488-8388

TOWN OF ADDISON

ADDITION TO PUBLIC WORKS SERVICE CENTER
Addison Texas
Westgrove Road

DATE: 5-18-86
11 JUNE 86
24 JULY 1988 - BID
REV 07 10.02.88

SHEET NO:
A1.4
PROPERTY OF LANDSCAPE DEVELOPMENT TOWN OF ADDISON SHEETS
JOB NO: 851-137