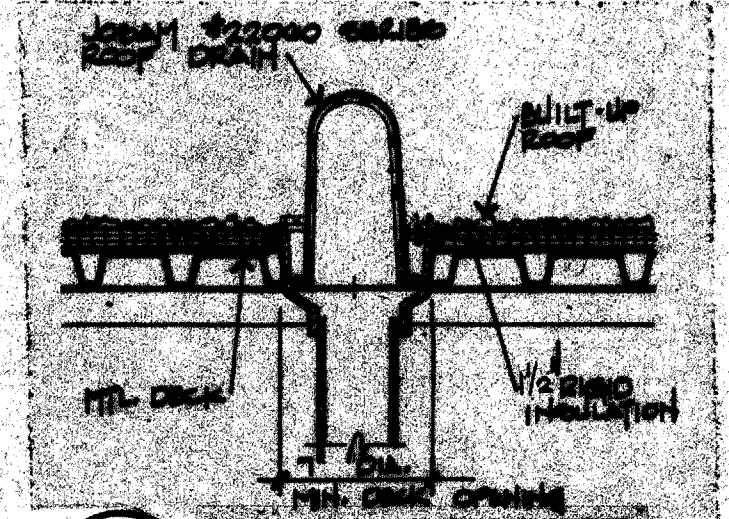
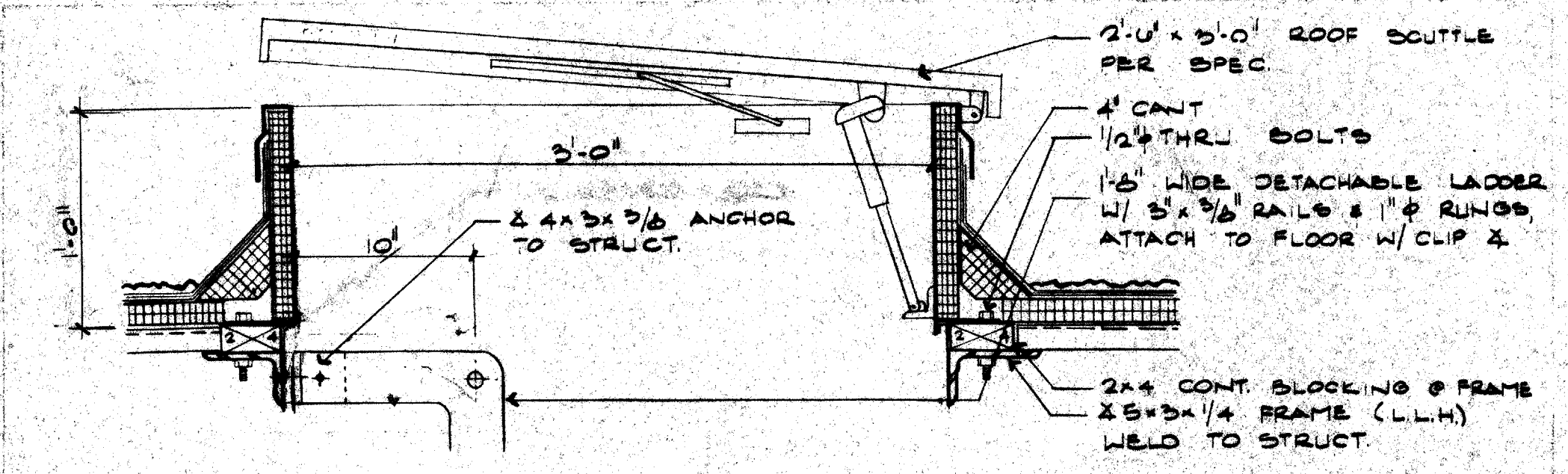


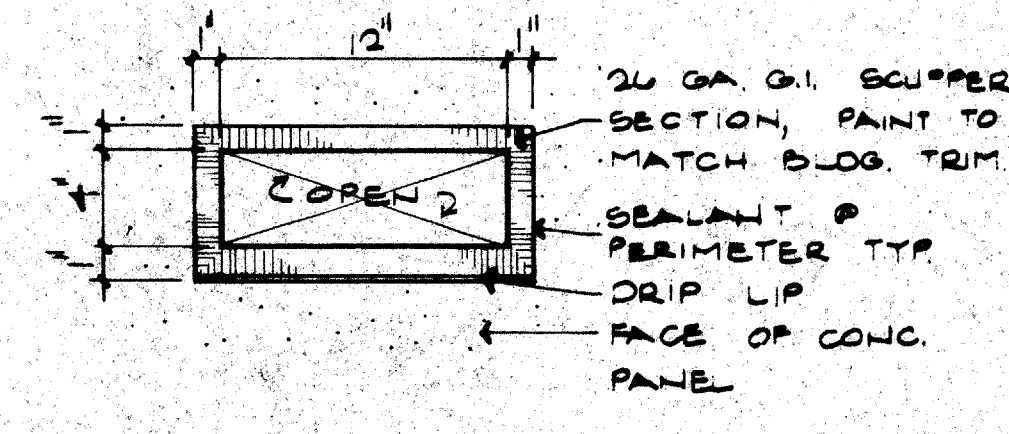
A B C D E F G H I J K L M N O P Q R S T U V W X Y Z AA BB CC DD EE FF GG HH II JJ KK LL MM NN OO PP QQ RR SS TT UU VV WW XX YY ZZ



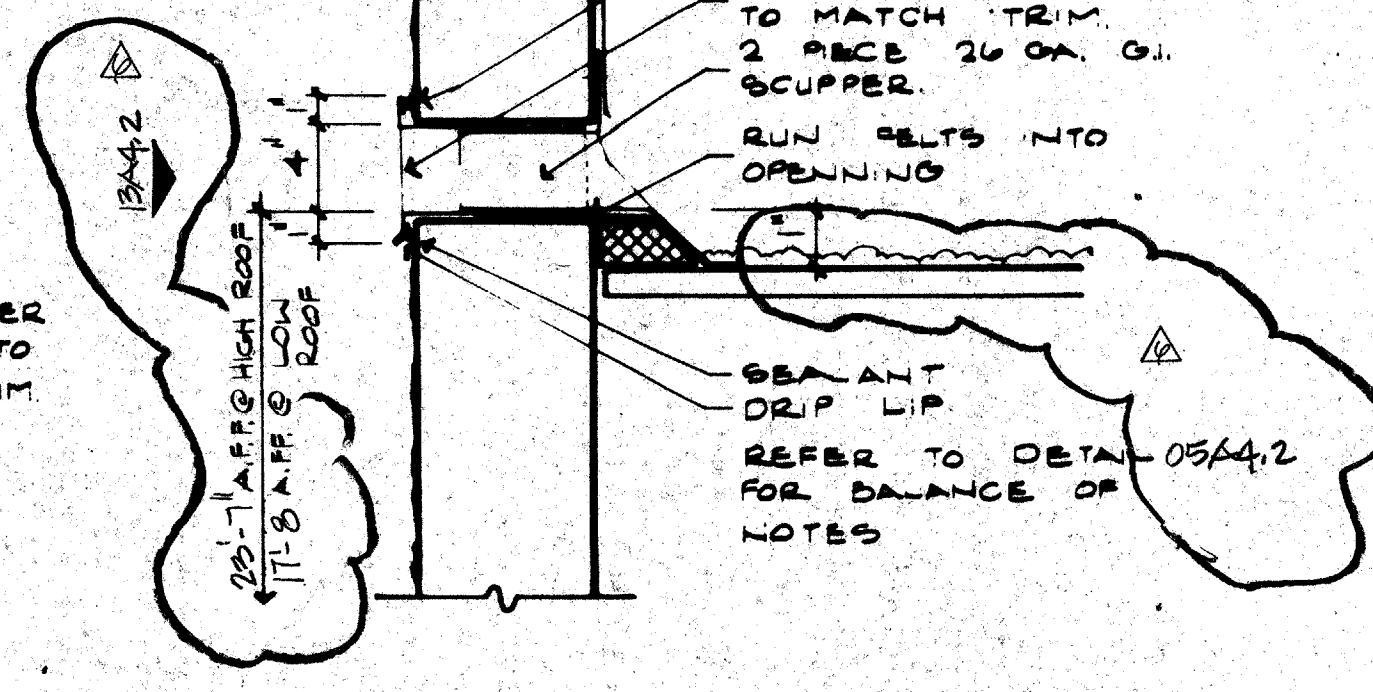
22 ROOF DRAIN
A4.2 1 1/2" = 1'-0"



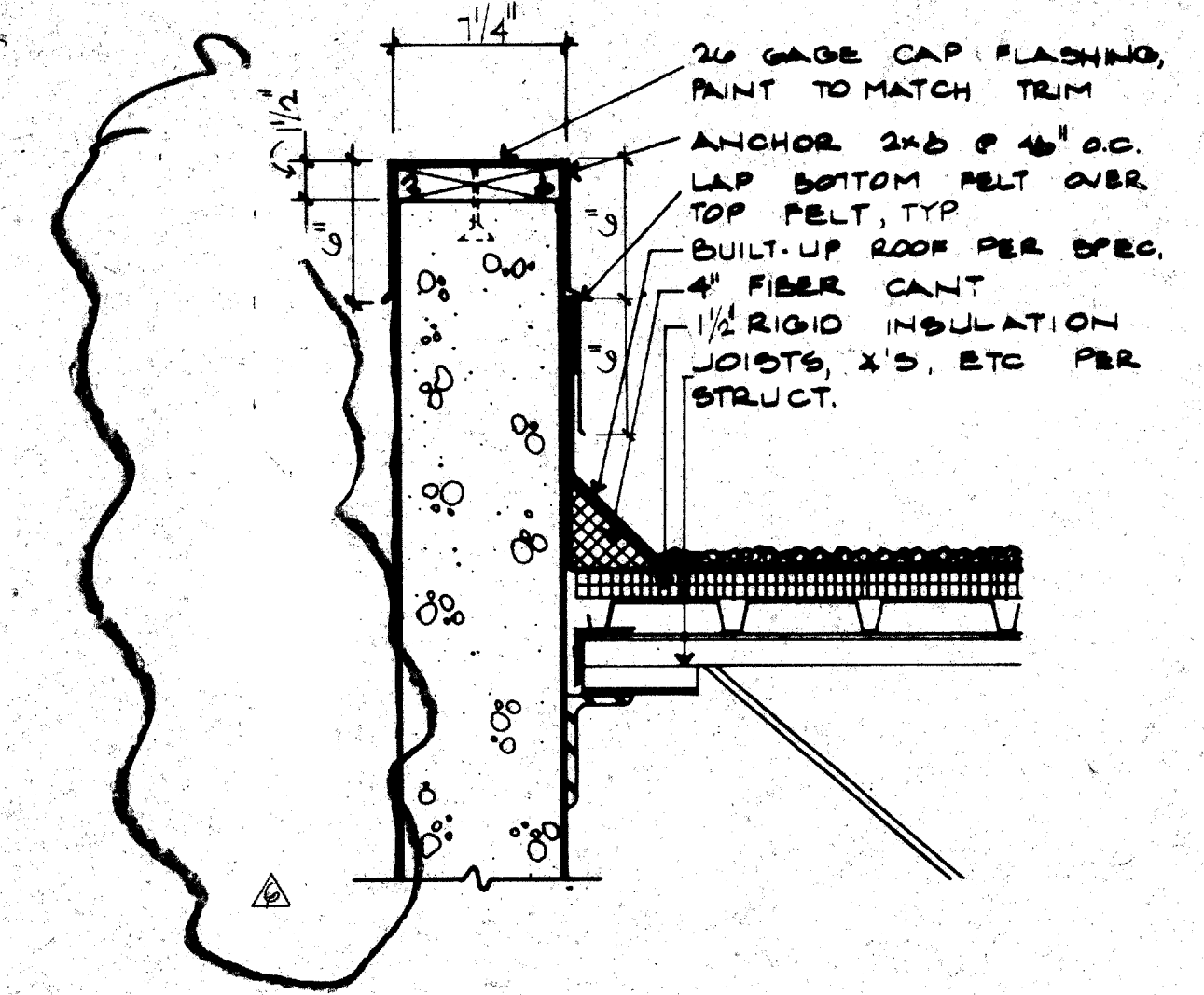
18 ROOF SCUTTLE
A4.2 1 1/2" = 1'-0"



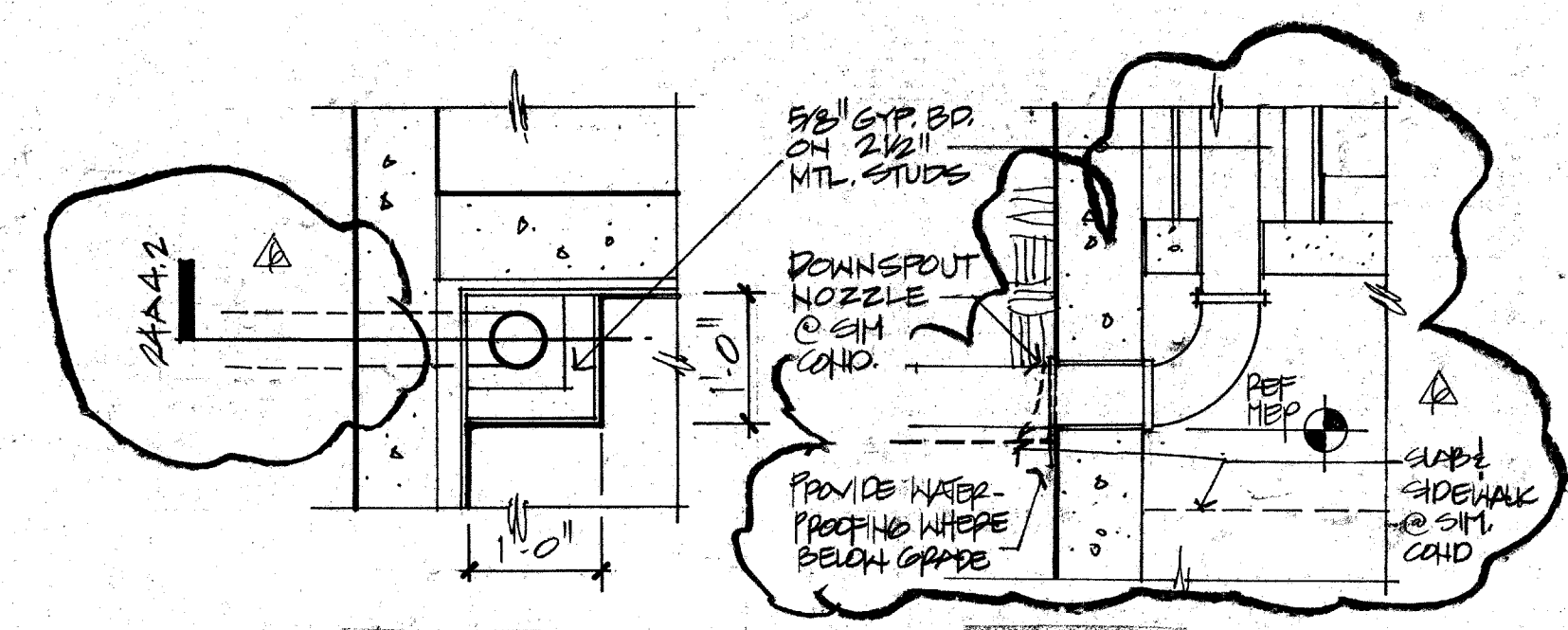
13 SCUPPER ELEVATION
A4.2 1 1/2" = 1'-0"



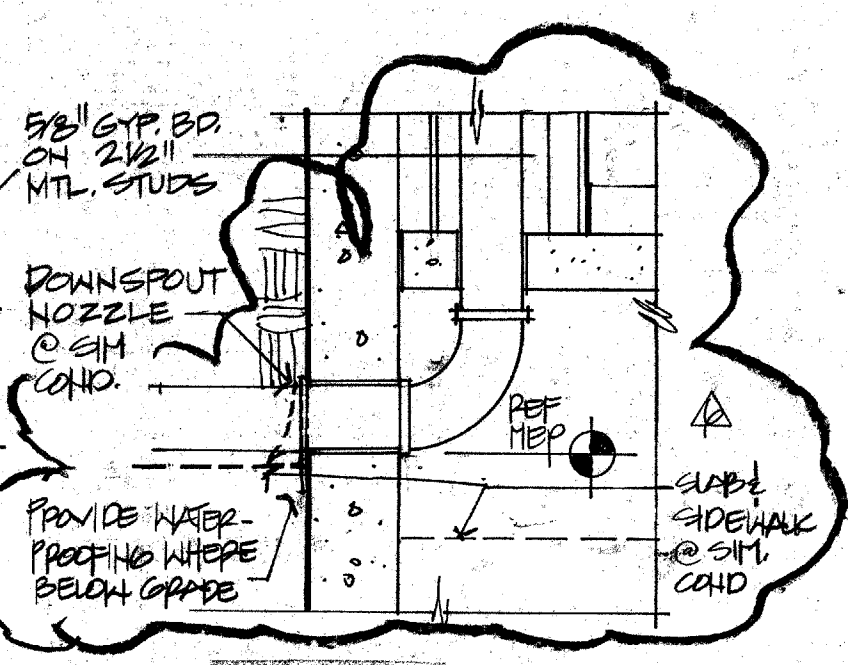
08 SCUPPER SECTION
A4.2 1 1/2" = 1'-0"



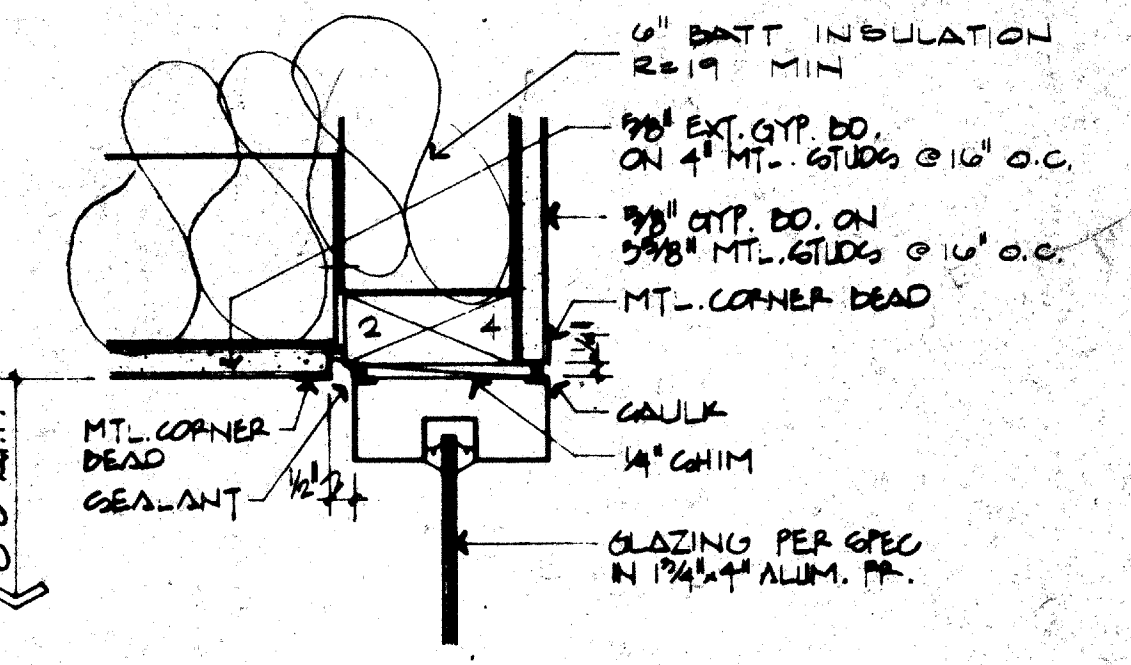
05 FLASHING DETAIL
A4.2 3" = 1'-0"



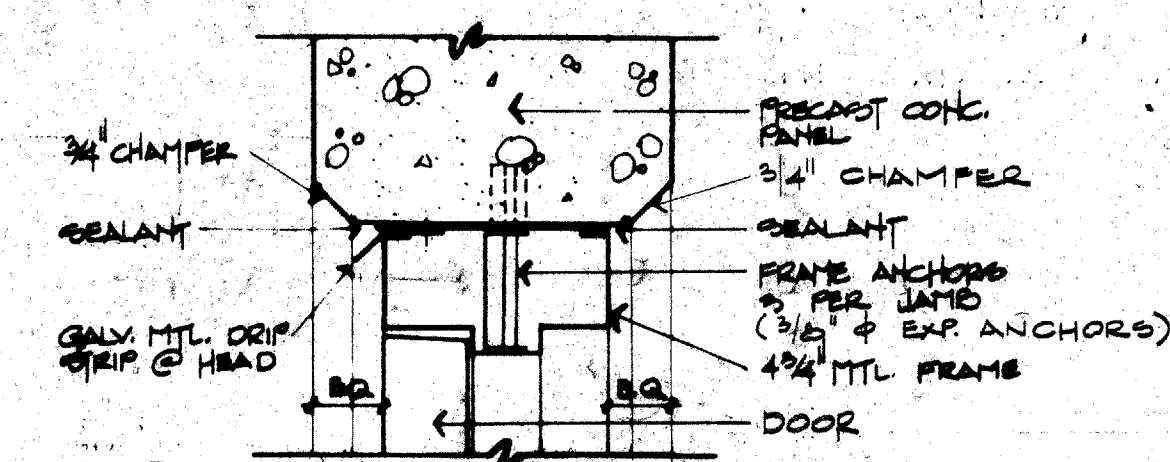
23 DETAIL
A4.2 3/4" = 1'-0"



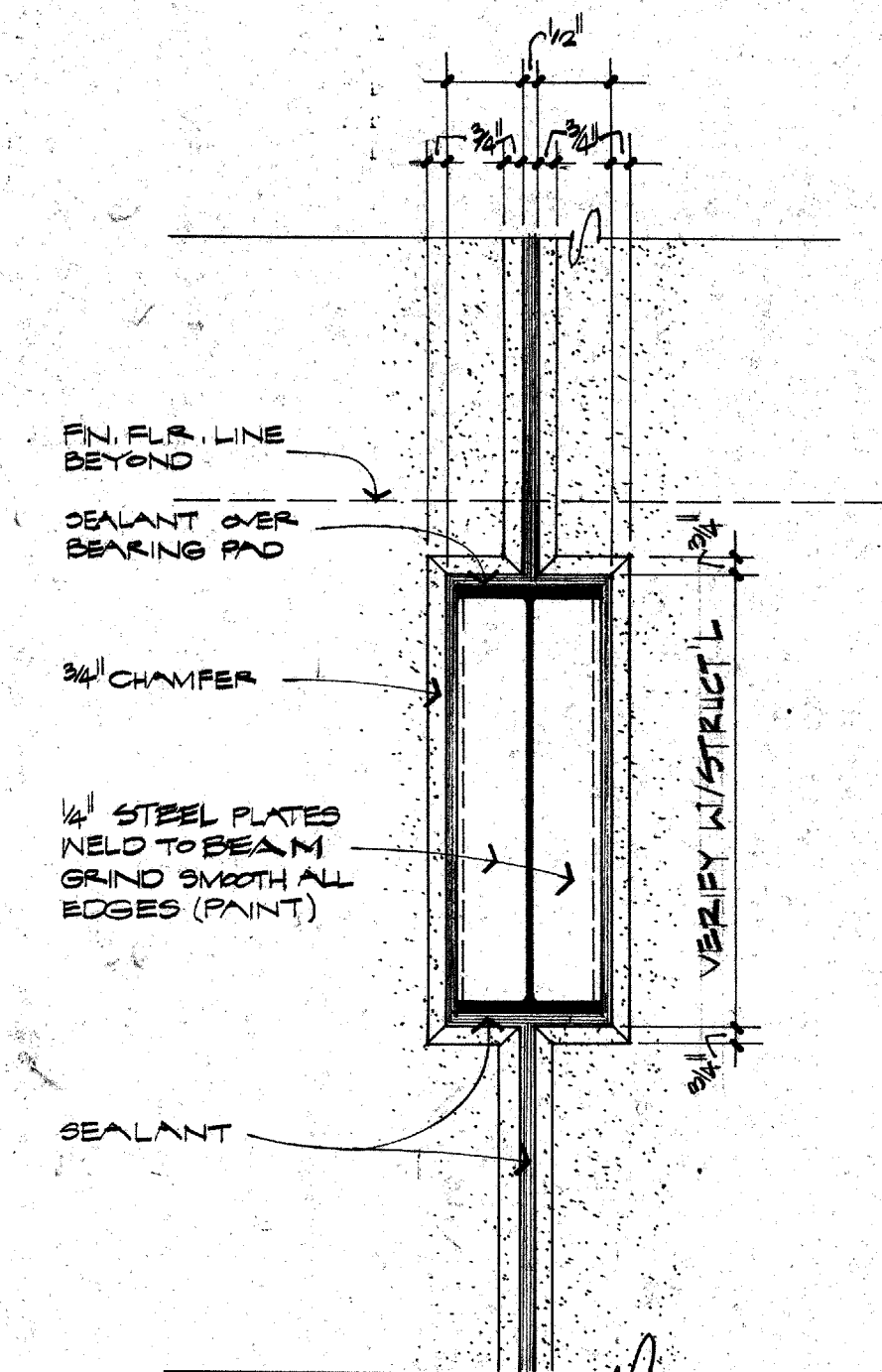
24 DETAIL
A4.2 3/4" = 1'-0"



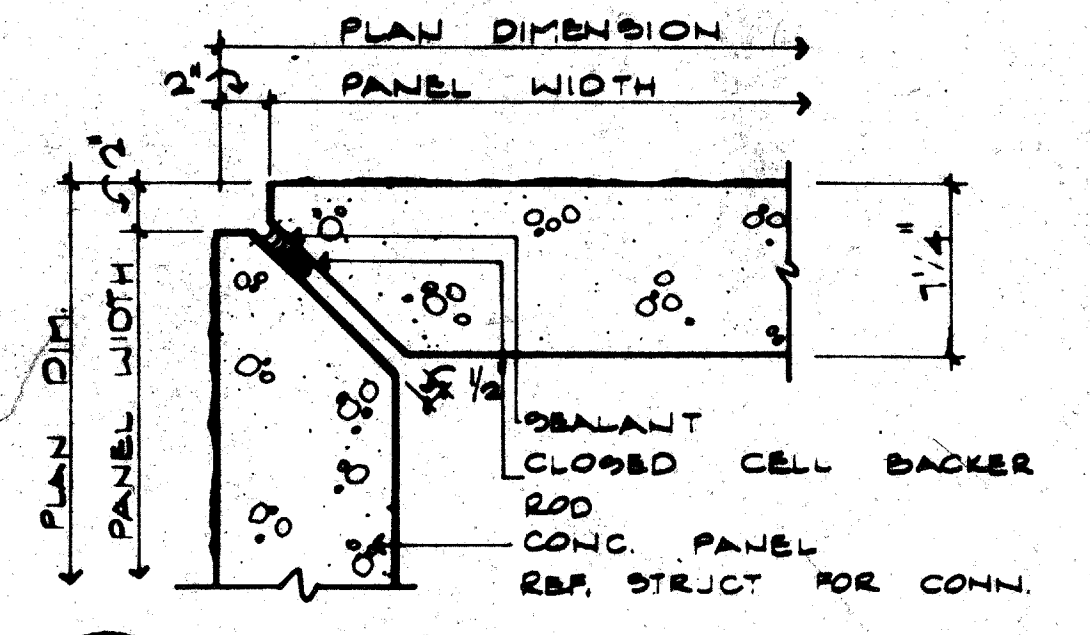
17 HEAD DETAIL
A4.2 3" = 1'-0"



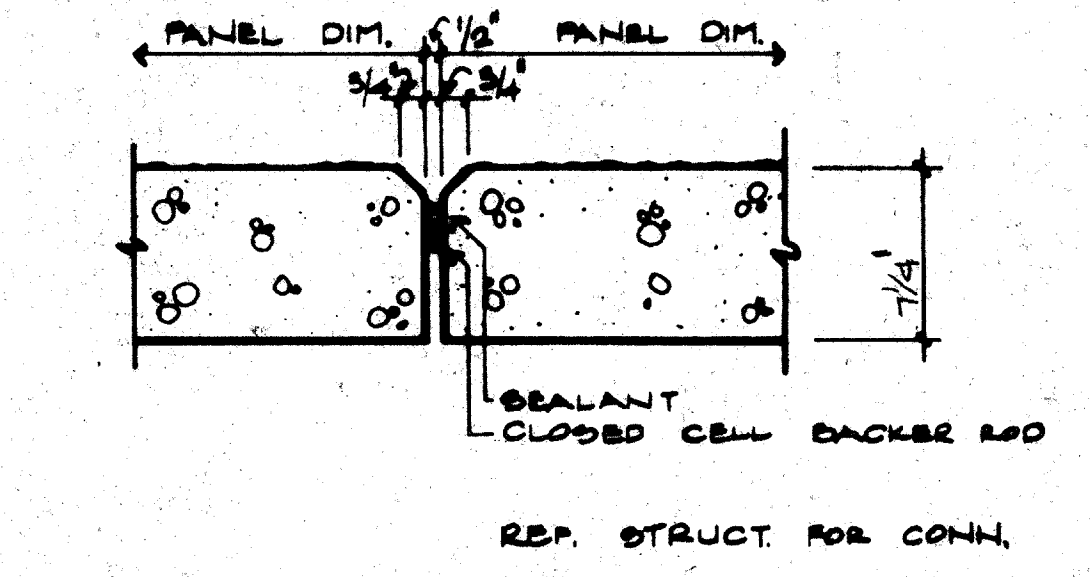
12 HEAD - JAMB SIMILAR
A4.2 3" = 1'-0"



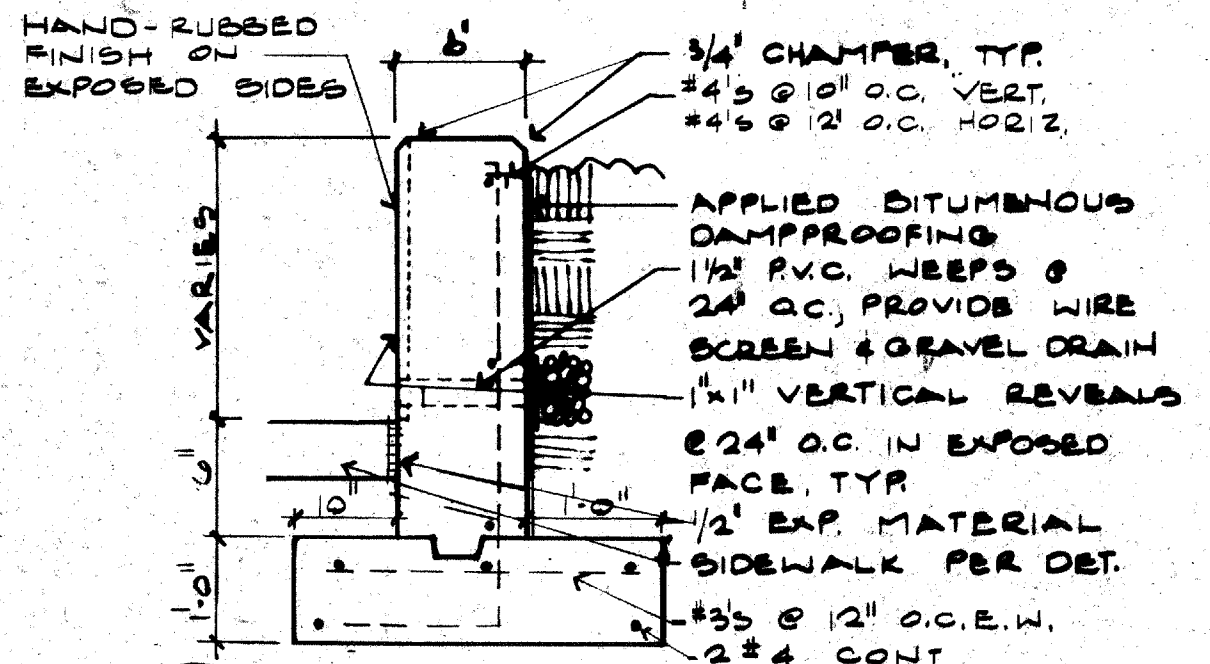
07 ELEVATION DETAIL
A4.2 1 1/2" = 1'-0"



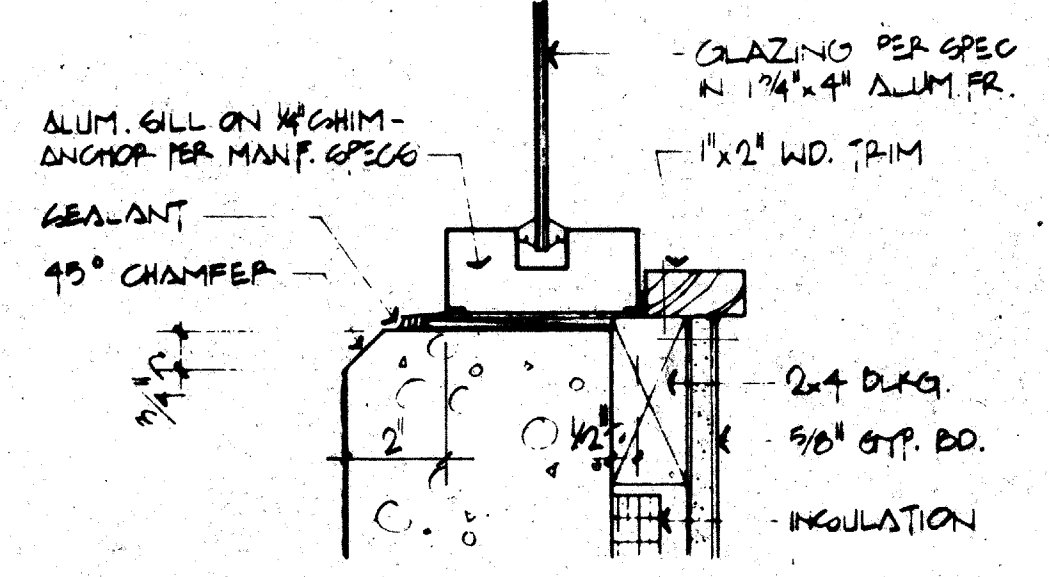
04 JOINT DETAIL
A4.2 1 1/2" = 1'-0"



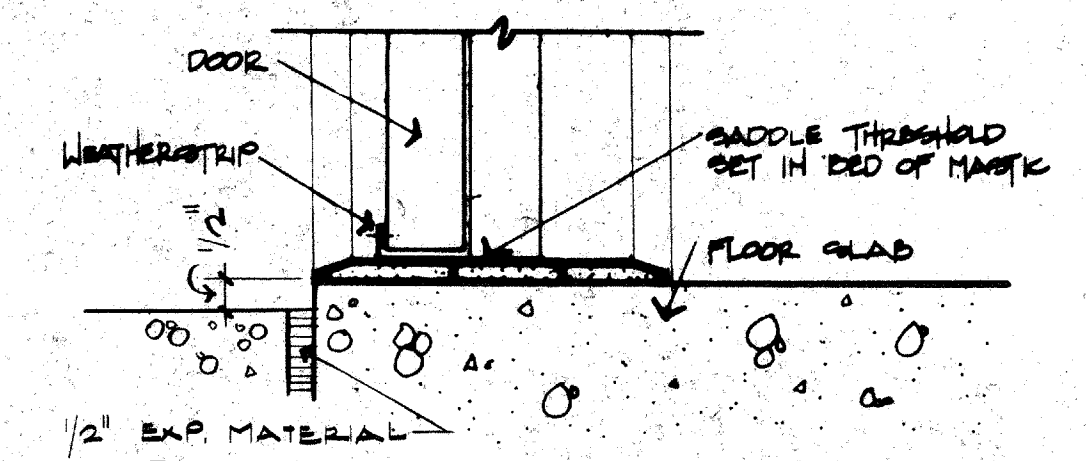
03 JOINT DETAIL
A4.2 1 1/2" = 1'-0"



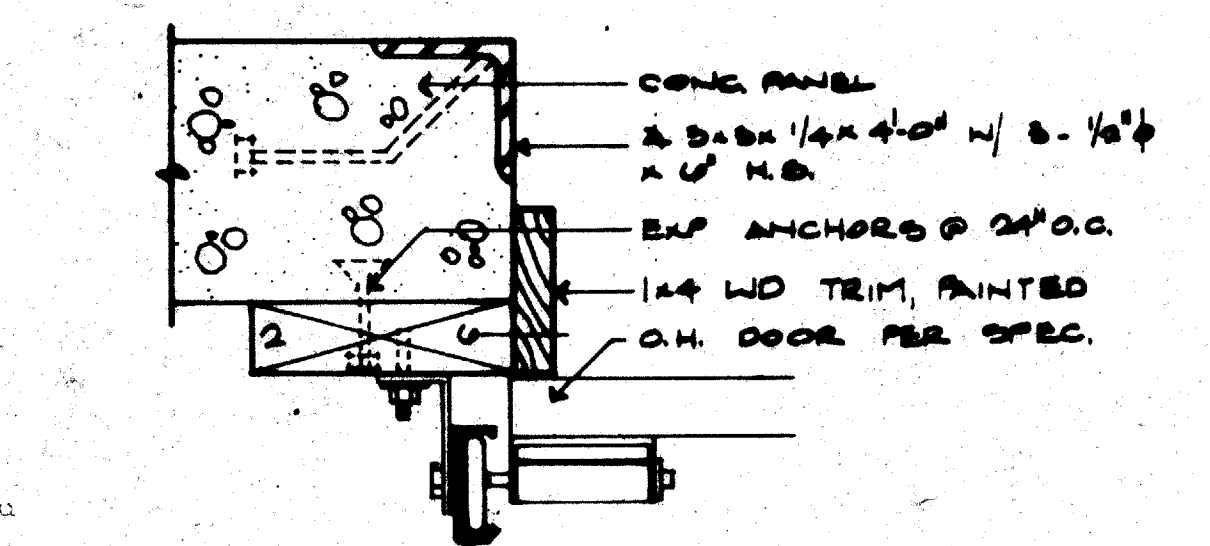
21 RETAINING WALL
A4.2 NONE



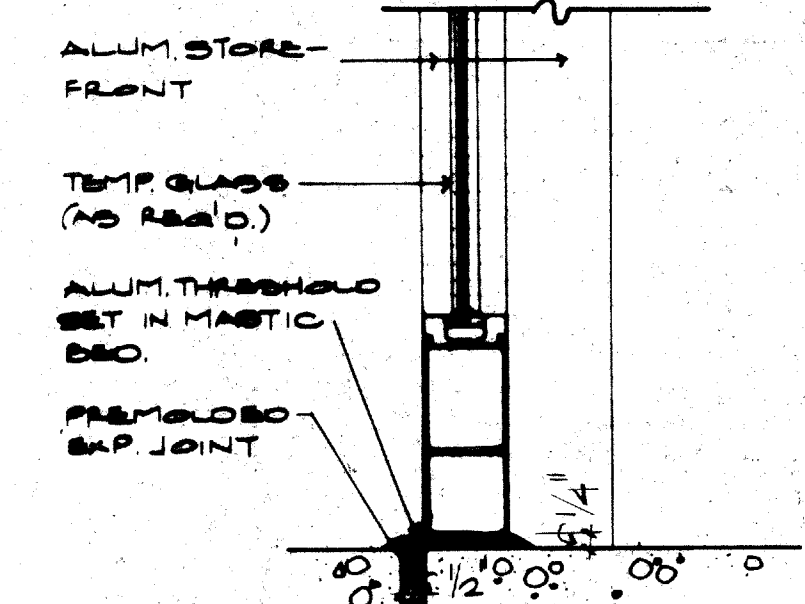
16 SILL DETAIL
A4.2 3" = 1'-0"



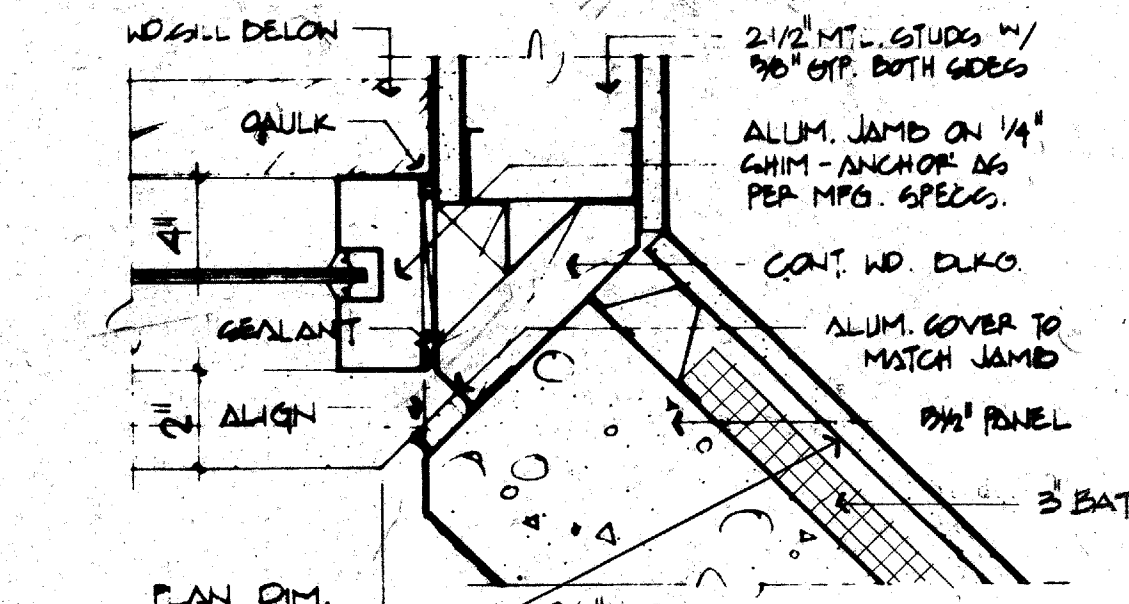
11 DOOR SILL DETAIL
A4.2 3" = 1'-0"



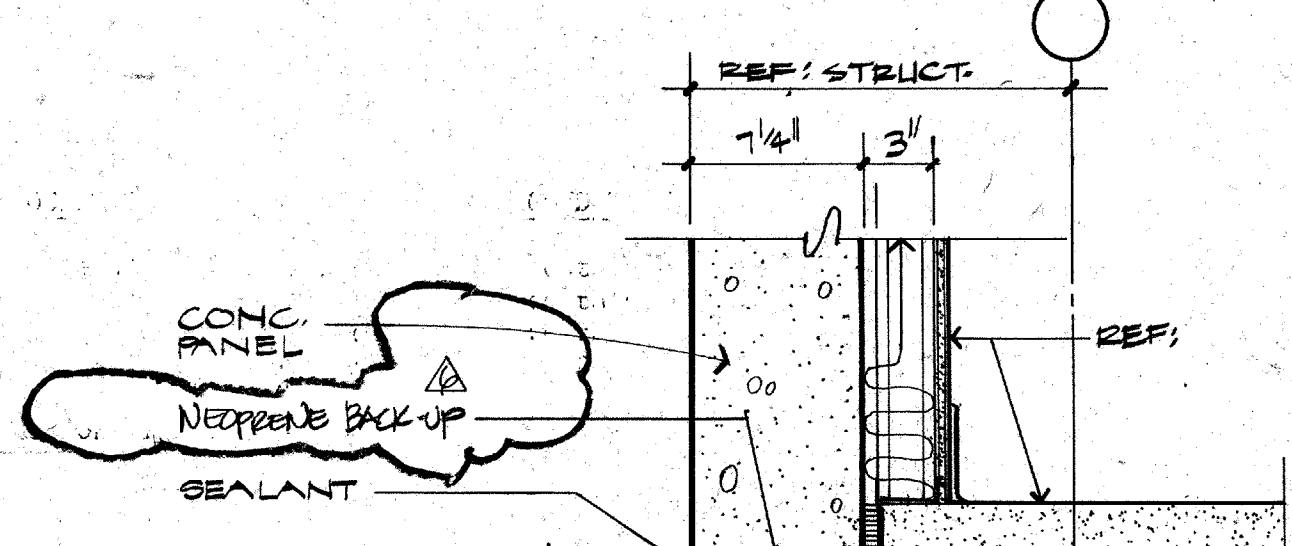
20 DOOR JAMB
A4.2 3" = 1'-0"



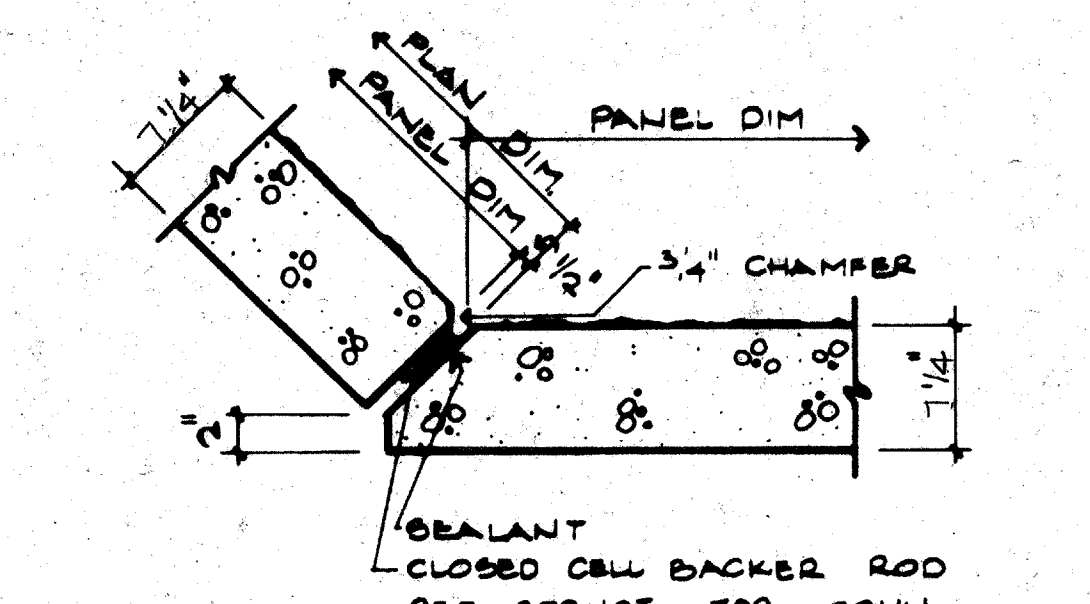
15 SILL DETAIL
A4.2 3" = 1'-0"



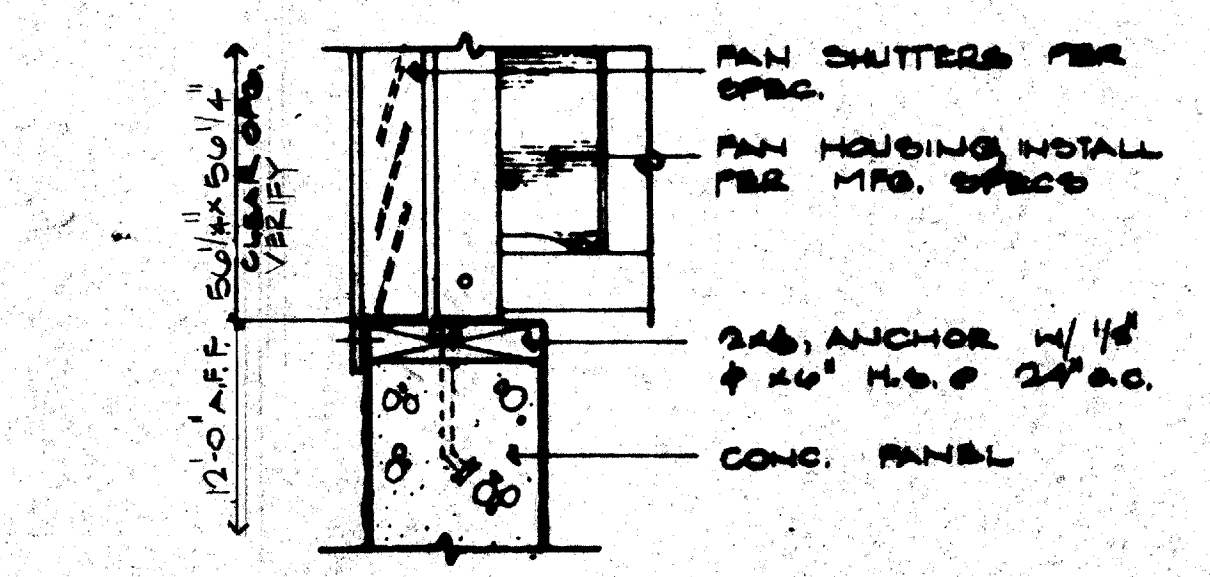
10 JAMB DETAIL
A4.2 3" = 1'-0"



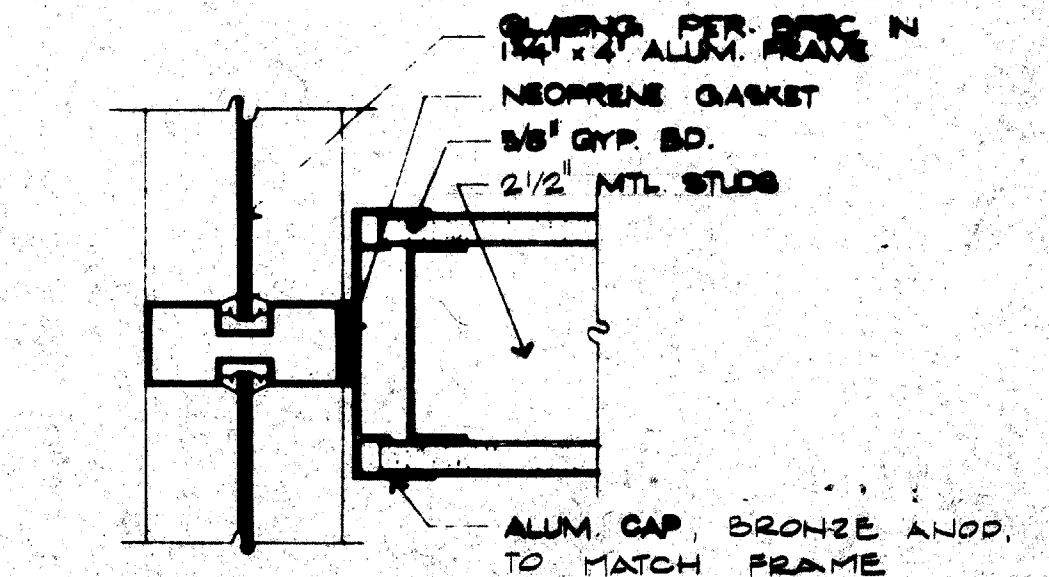
06 WALL / BEAM DETAIL
A4.2 1 1/2" = 1'-0"



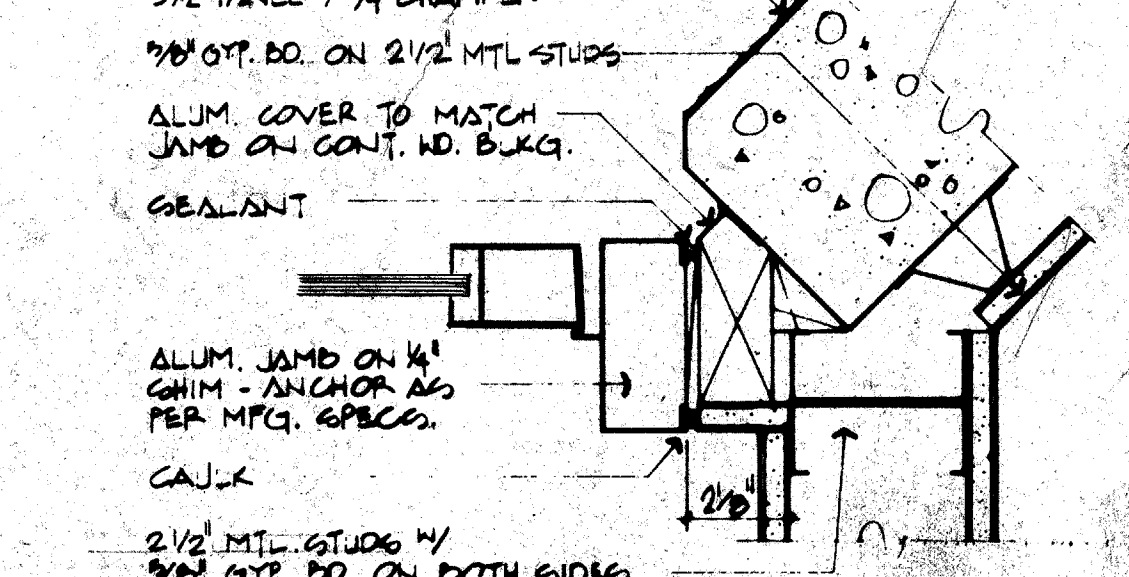
02 JOINT DETAIL
A4.2 1 1/2" = 1'-0"



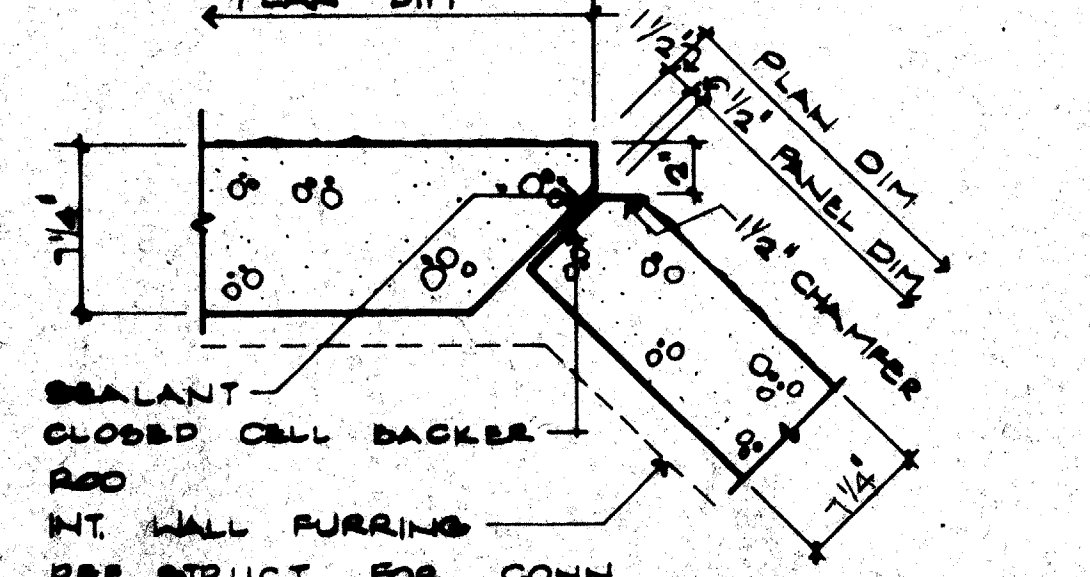
19 EXHAUST FAN
A4.2 3" = 1'-0"



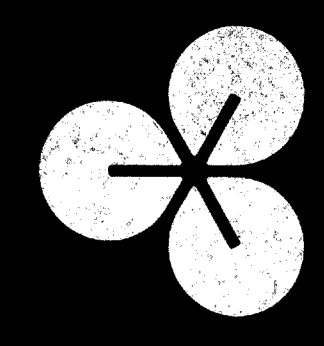
14 MULLION DETAIL
A4.2 3" = 1'-0"



09 JAMB DETAIL
A4.2 3" = 1'-0"



01 JOINT DETAIL
A4.2 1 1/2" = 1'-0"



EDI ARCHITECTS, INC.
ARCHITECTURE PLANNING ENGINEERING INTERIOR DESIGN
8640 WALNUT HILL LANE
AMERICAN BANK BUILDING
DALLAS, TEXAS 75201
AUSTIN, TEXAS 78708
512 / 468-8308

TOWN OF
Addison

**ADDITION TO
PUBLIC WORKS SERVICE CENTER**
Addison Texas
Westgrove Road

DATE: 5-16-86
11 JUNE 86
24 JULY 1986 - BID
REV 67 100286

SHEET NO:
A4.2
PROPERTY OF:
LANDSCAPE DEVELOPMENT
TOWN OF SHEETS
JOB NO: 851-137