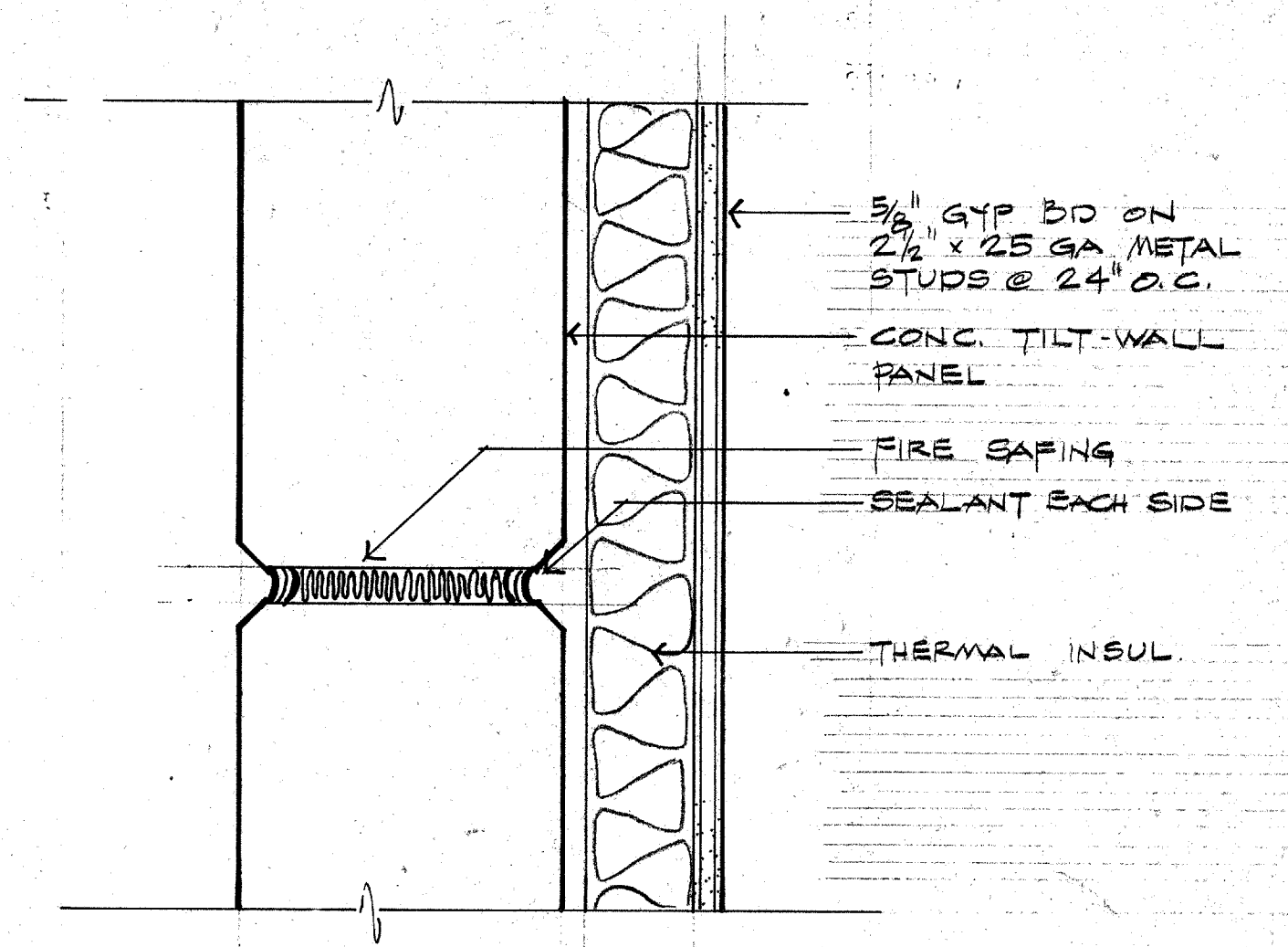
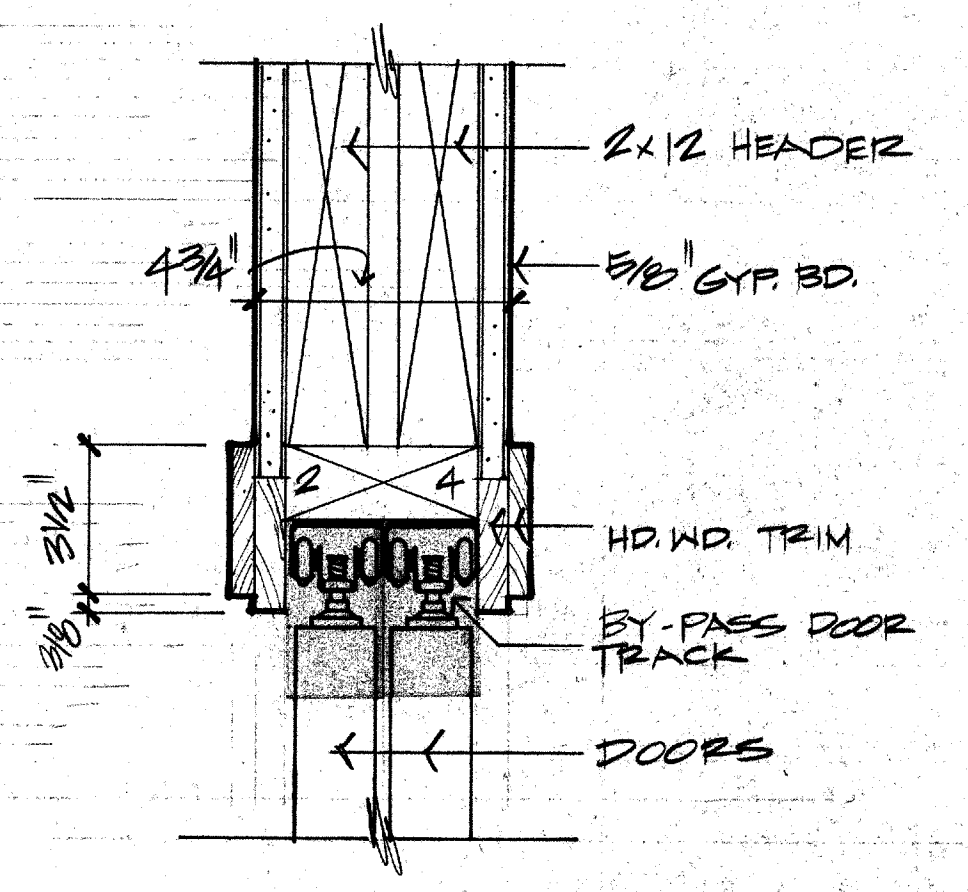


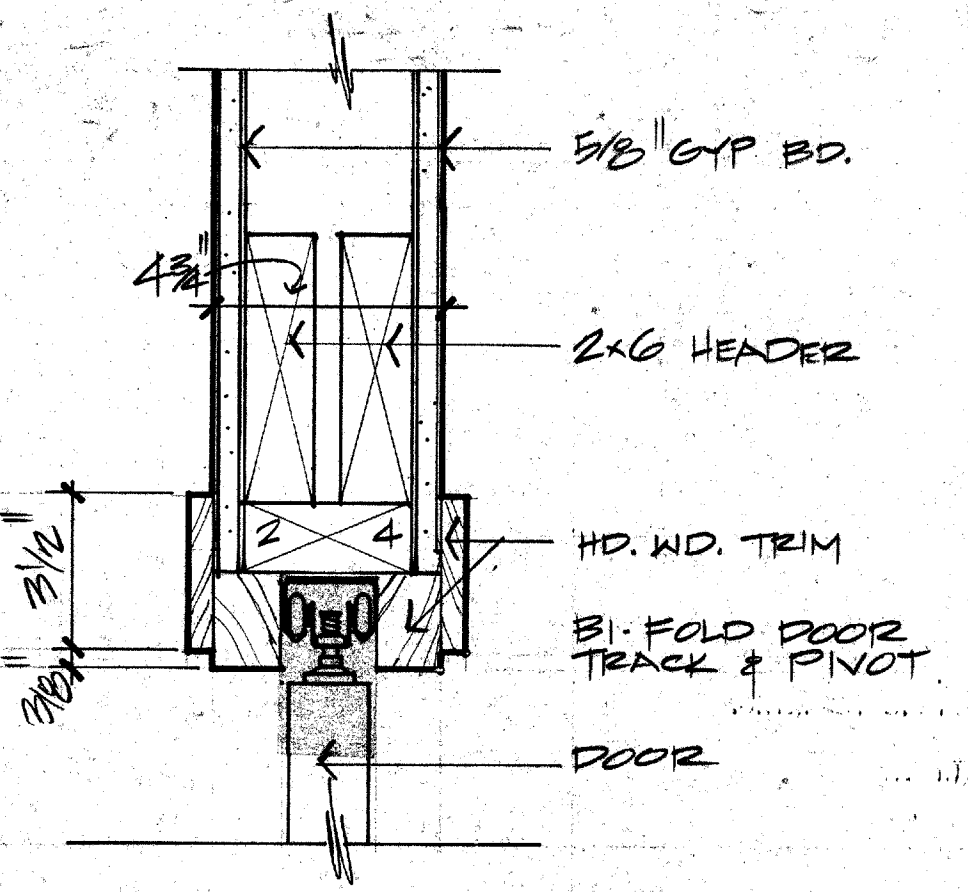
A B C D E F G H I J K L M N O P Q R S T U V W X Y Z AA AB AC AD AE AF AG AH AI AJ AK AL AM AN AO AP AQ AR AS AT AU AV AW AX AY AZ



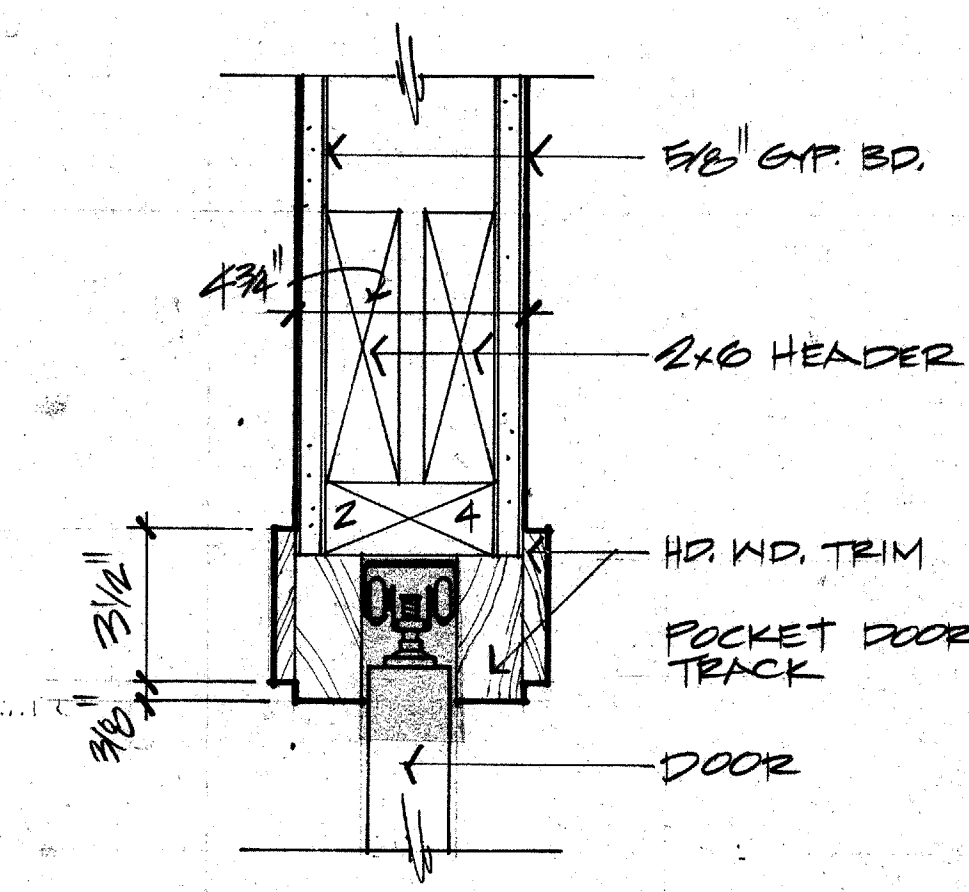
**07 PLAN DETAIL**  
 A4.4 3'-1-0



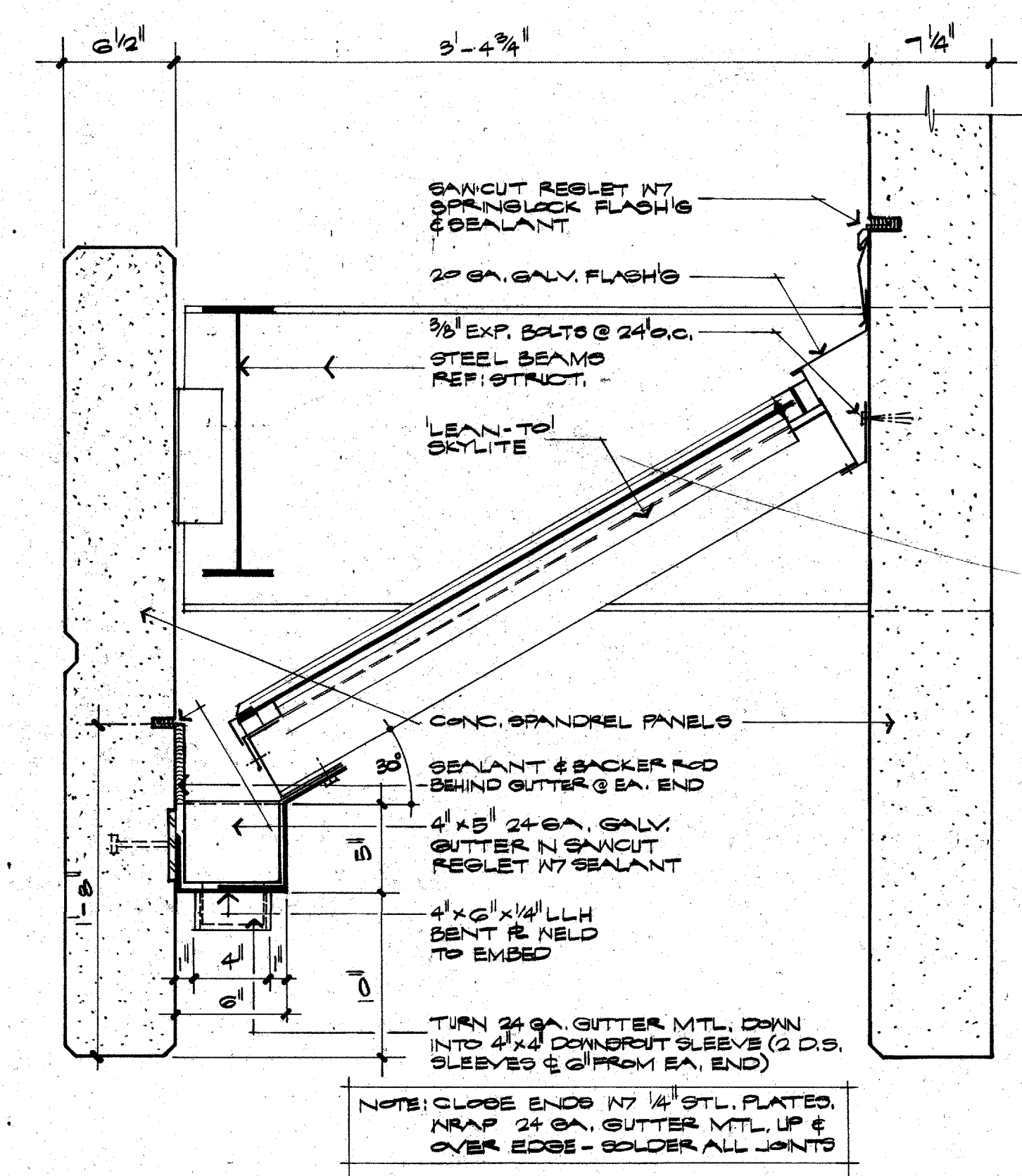
**08 HEAD DETAIL**  
 A4.4 3'-1-0



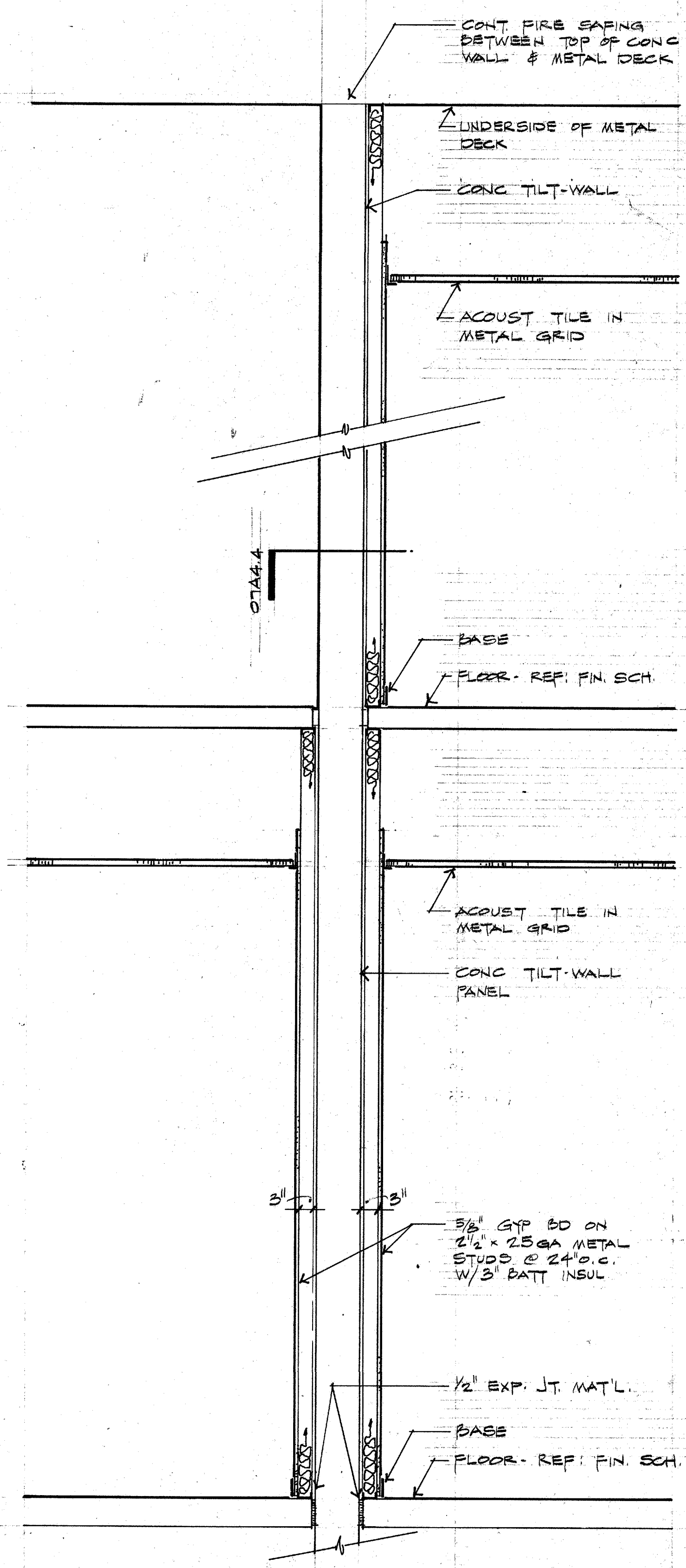
**09 HEAD DETAIL**  
 A4.4 3'-1-0



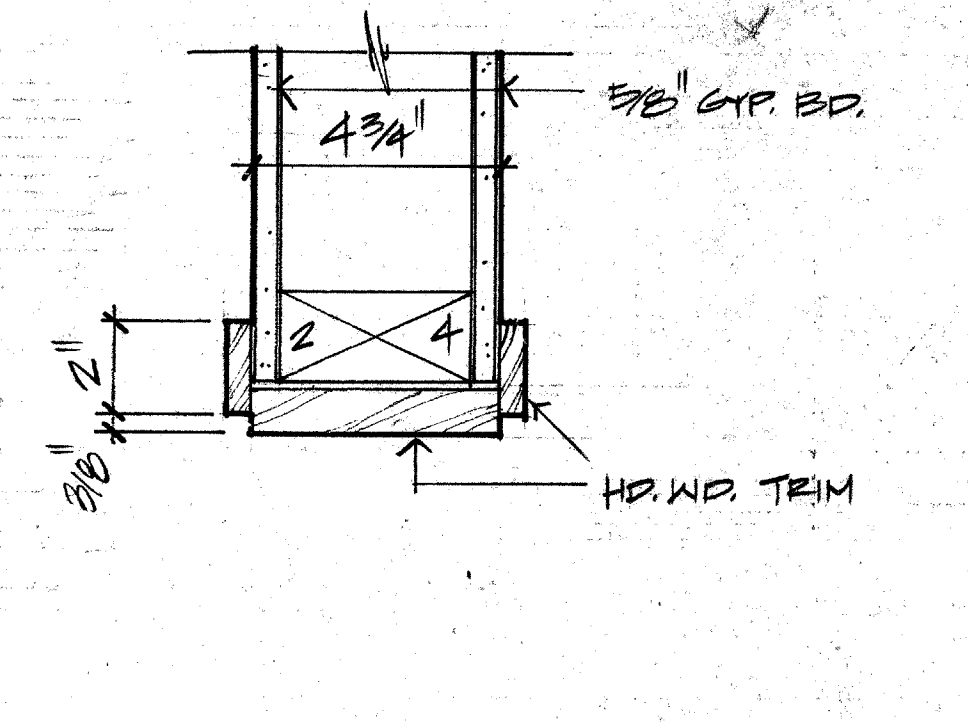
**10 HEAD DETAIL**  
 A4.4 3'-1-0



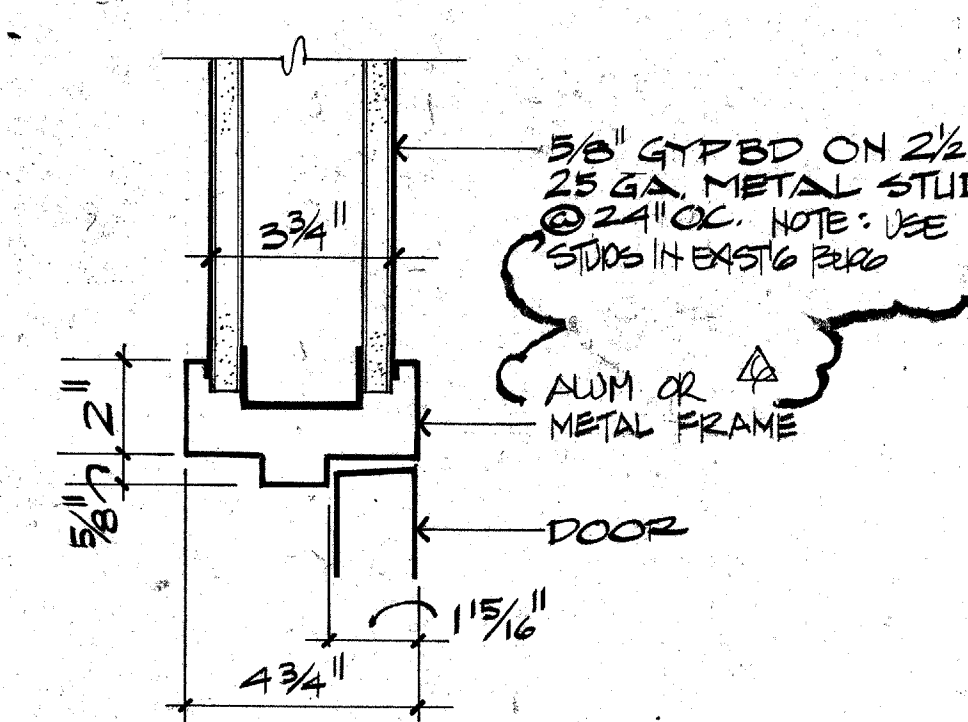
**04 SKYLIGHT DETAIL**  
 A4.4 1'-1/2" = 1'-0



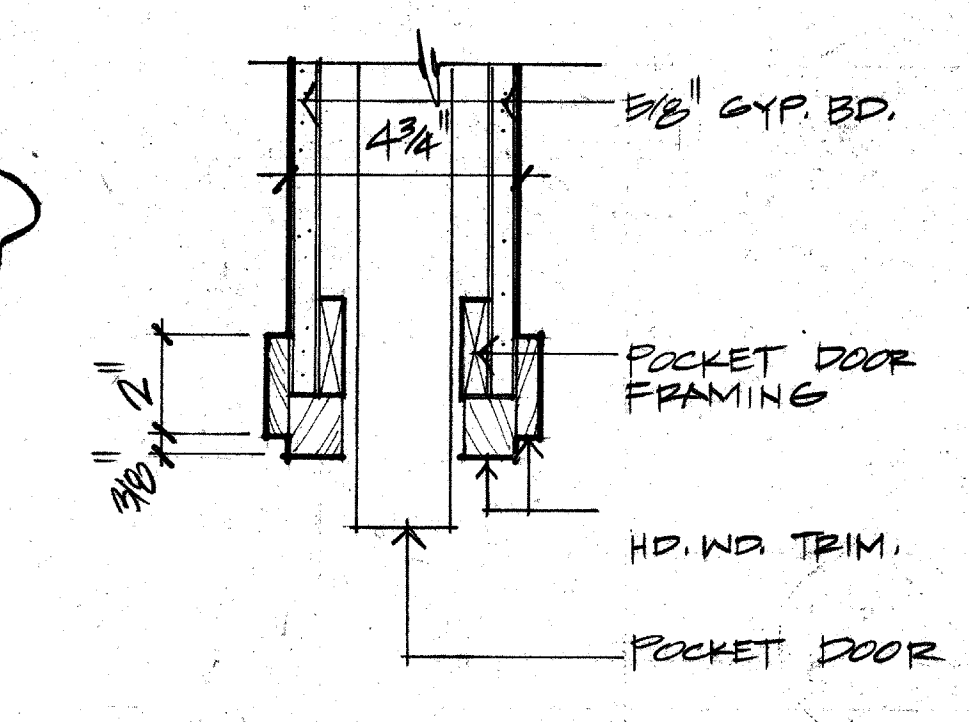
**06 WALL SECTION**  
 A4.4 3/4" = 1'-0



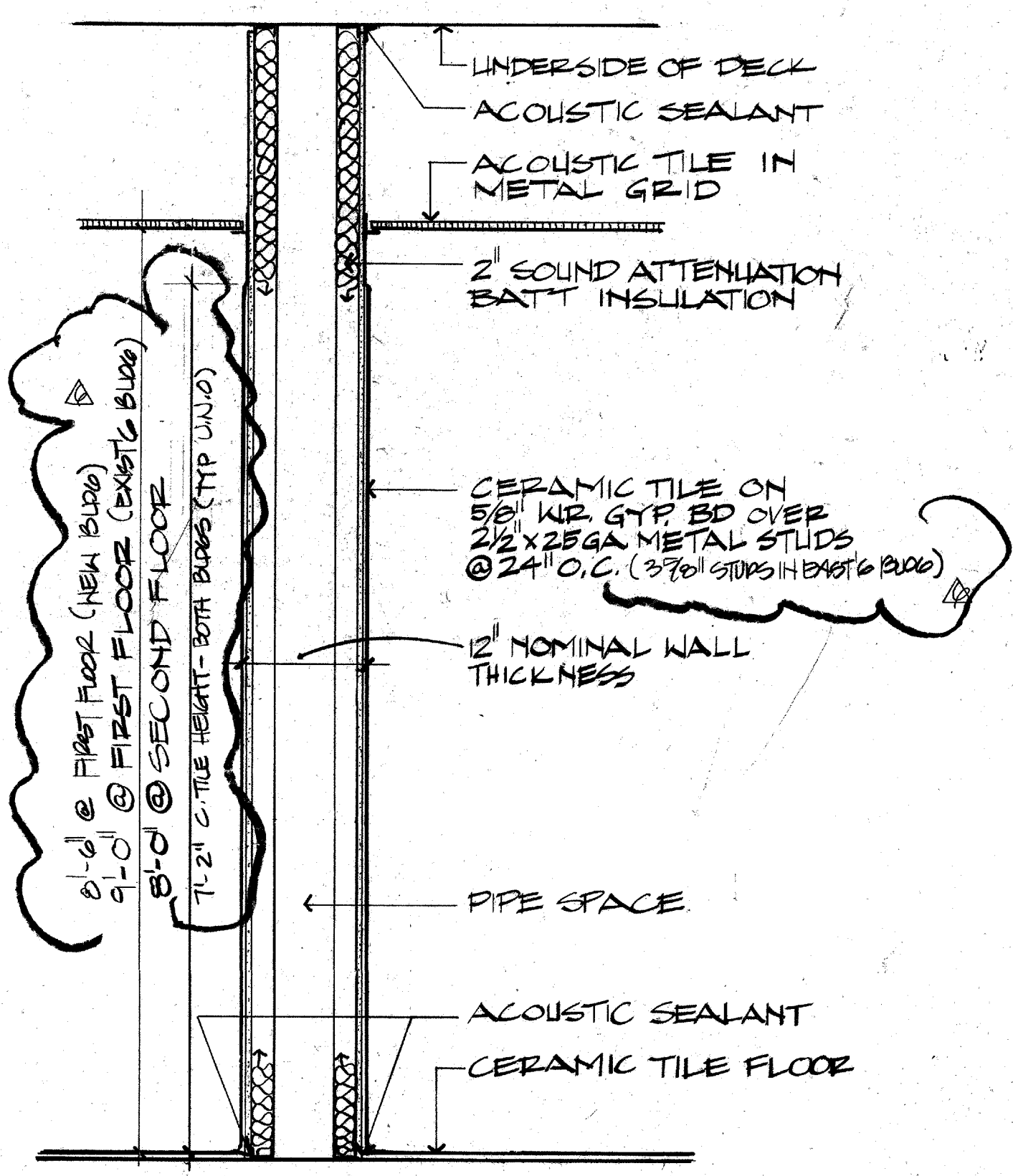
**11 JAMB DETAIL**  
 A4.4 3'-1-0



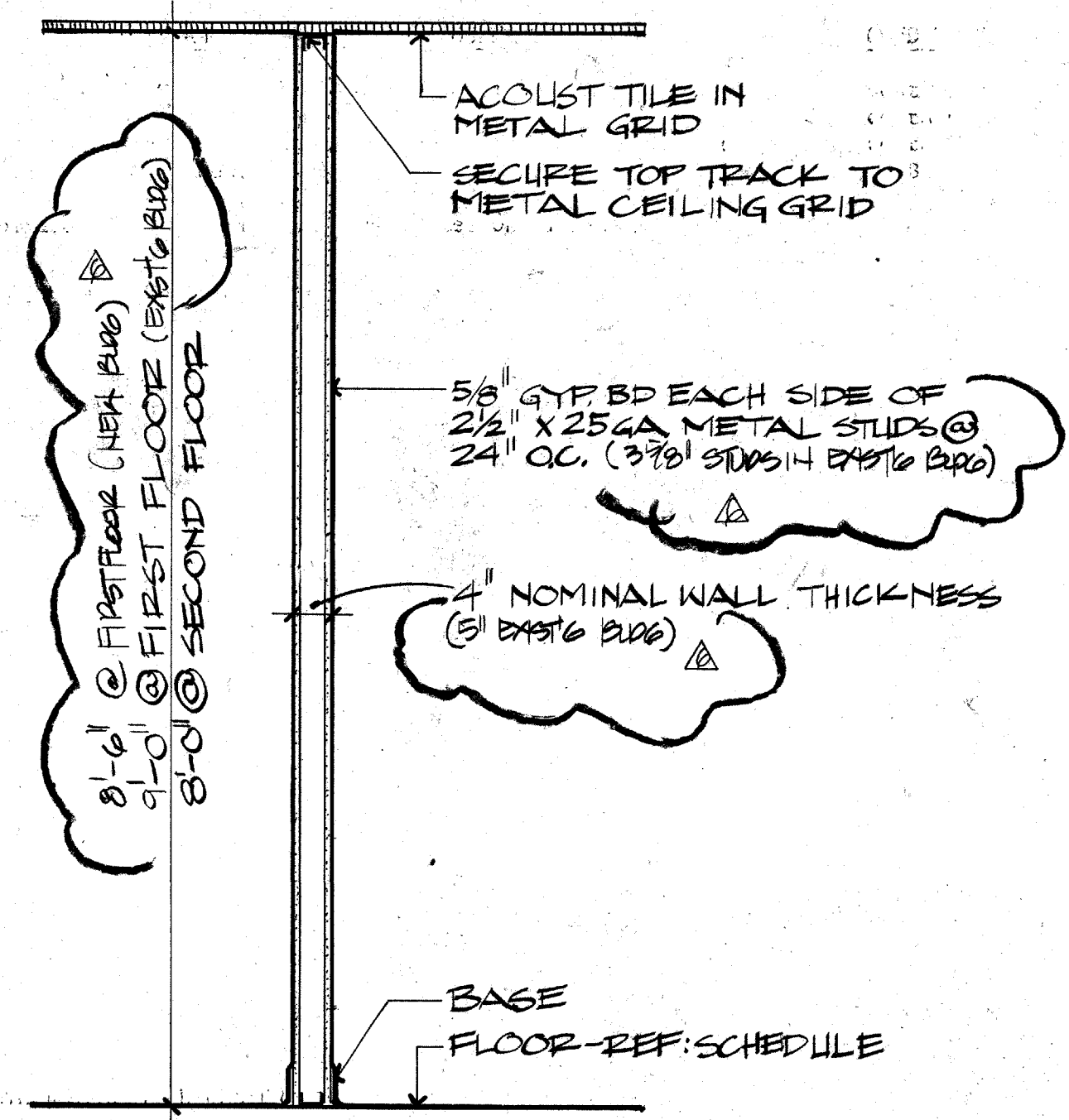
**05 HEAD - JAMB SIMILAR**  
 A4.4 3'-1-0



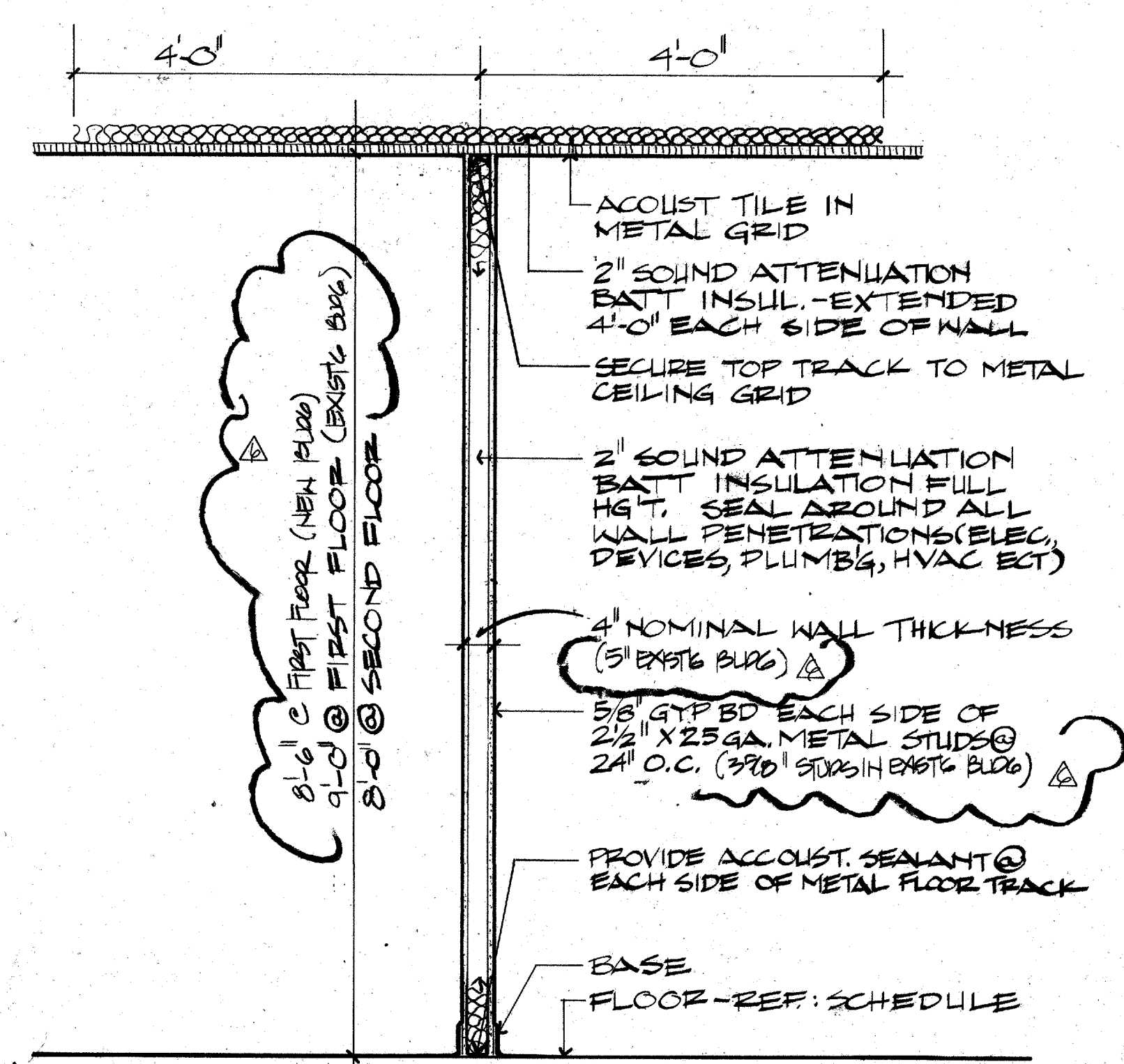
**12 JAMB DETAIL**  
 A4.4 3'-1-0



**03 WALL SECTION**  
 A4.4 3/4" = 1'-0



**02 WALL SECTION**  
 A4.4 3/4" = 1'-0



**01 WALL SECTION**  
 A4.4 3/4" = 1'-0

**EDI ARCHITECTS, INC.**  
 ARCHITECTURE PLANNING ENGINEERING INTERIOR DESIGN  
 AMERICAN SUITE 300  
 SUITE 100 JUDITH HILL LANE  
 DALLAS, TEXAS 75201  
 AUSTIN, TEXAS 78701  
 214 / 750-1948 512 / 489-8308

**TOWN OF ADDISON**

**ADDITION TO PUBLIC WORKS SERVICE CENTER**  
 Westgrove Road  
 Addison Texas

DATE: 5-16-88  
 11 JUNE 88  
 24 JULY 1988 - BID  
 100671002.86

SHEET NO. **A4.4** OF SHEETS  
 JOB NO. 851-137