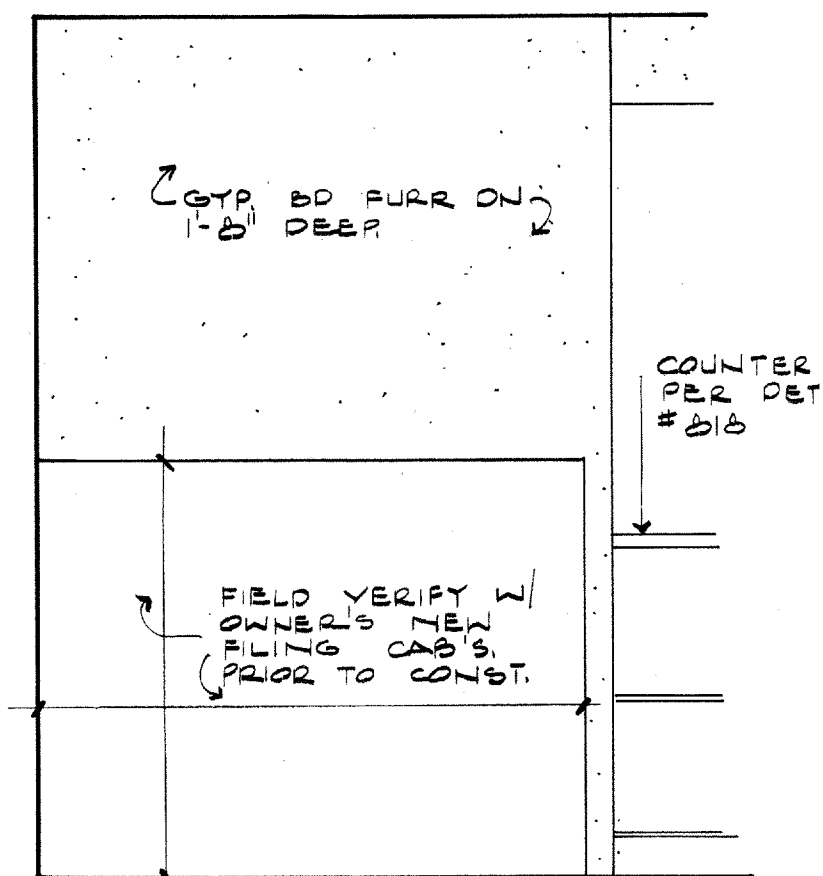
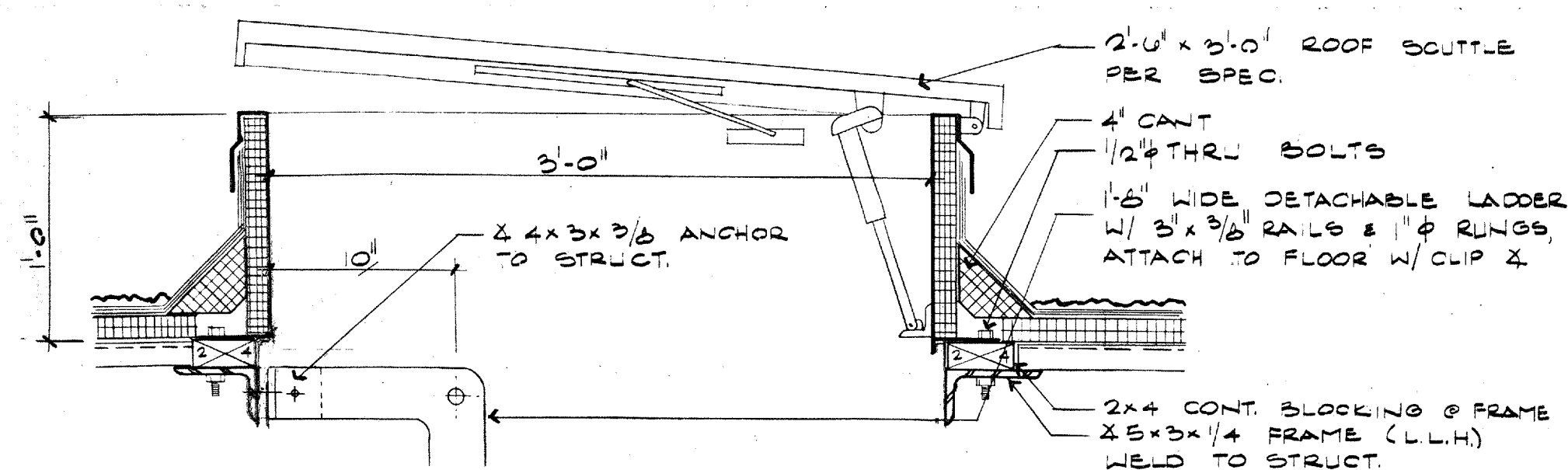


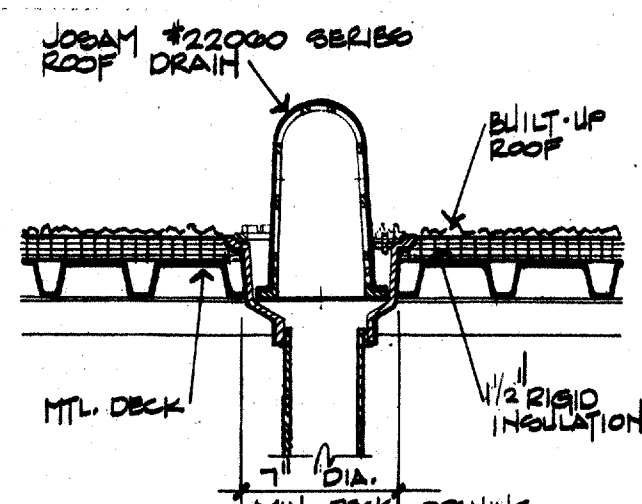
**10 CABINET ELEVATION**  
SC: 1/2" = 1'-0"



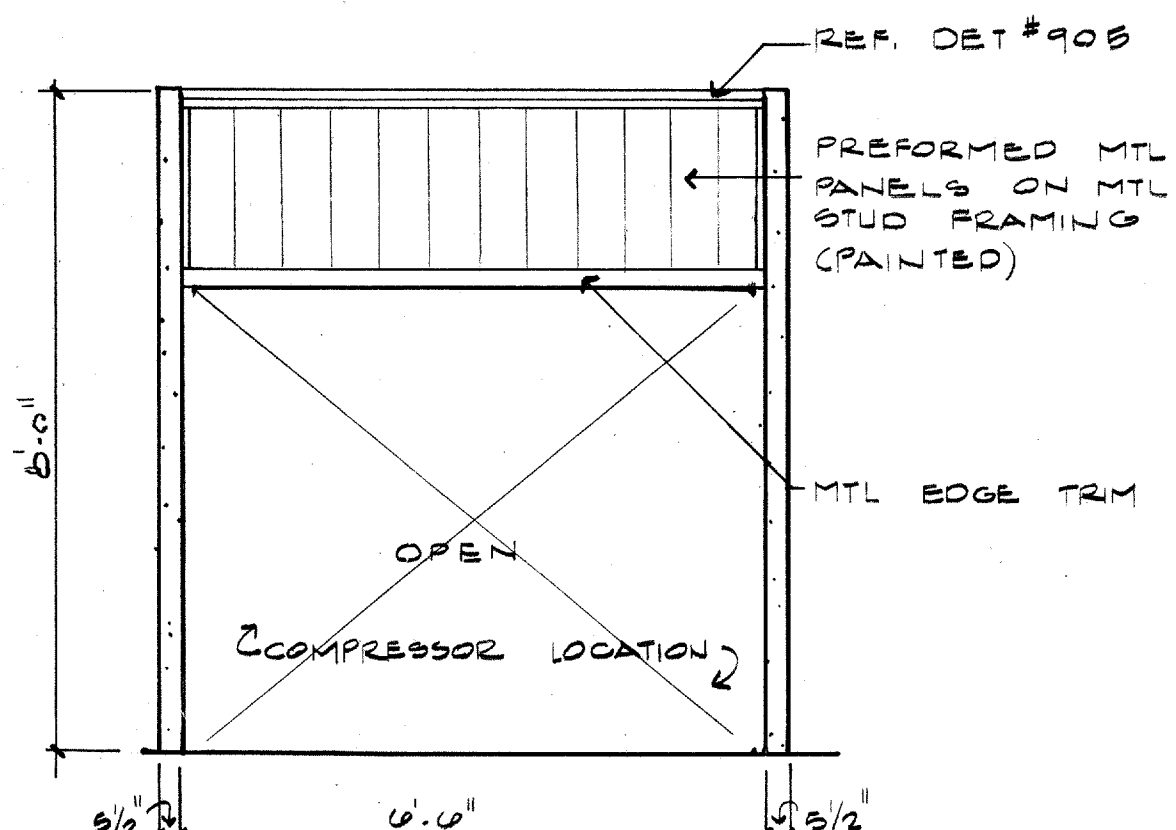
**11 FURR DOWN**



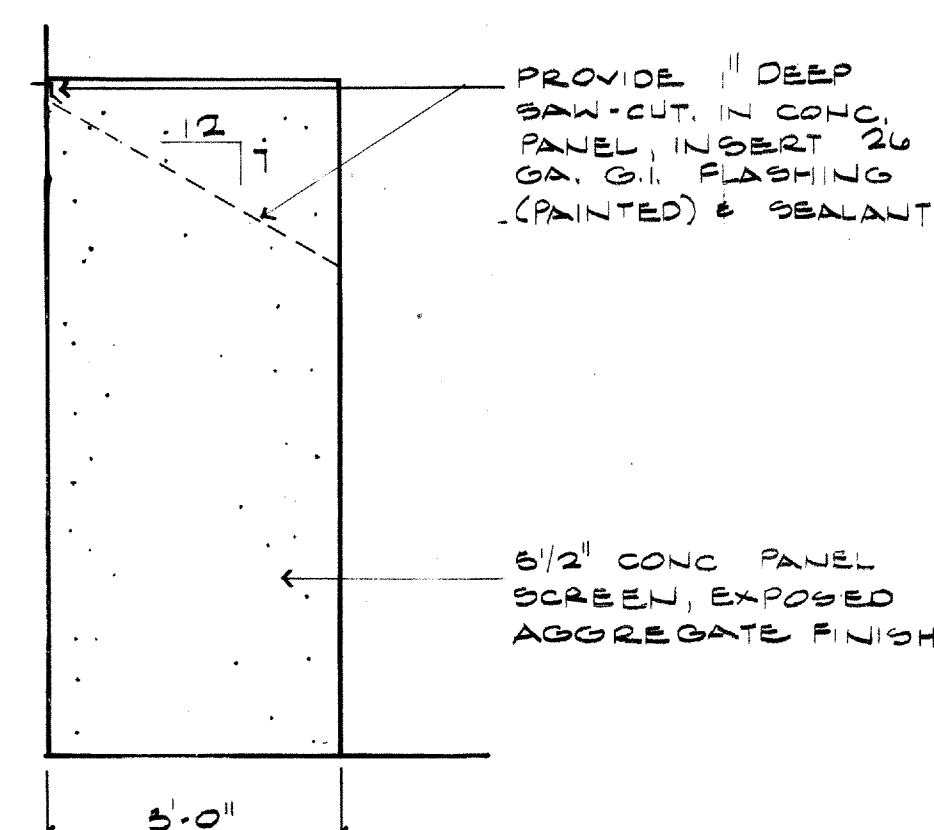
**09 ROOF SCUTTLE**  
SC: 1/2" = 1'-0"



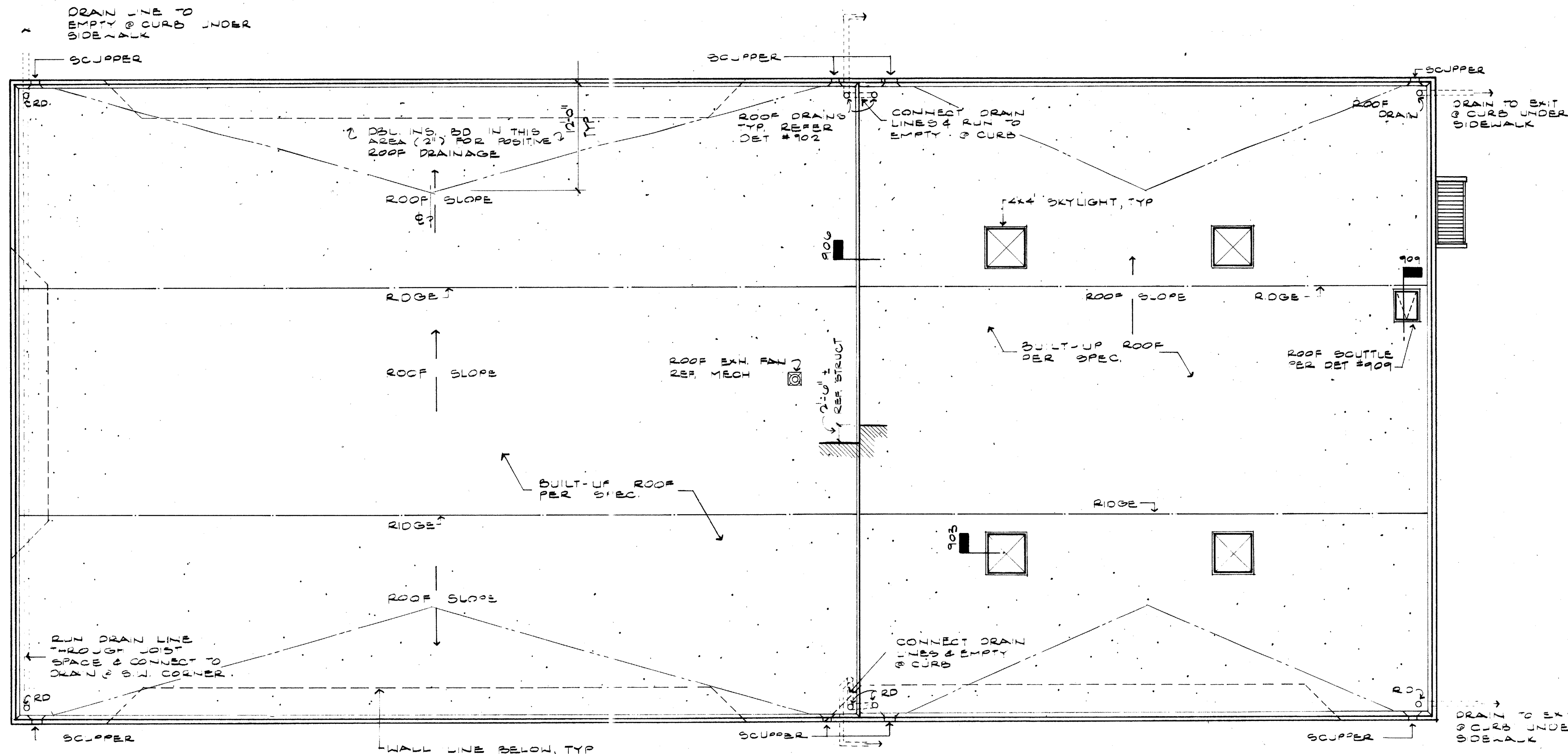
**02 ROOF DRAIN**  
SCALE: 1/2" = 1'-0"



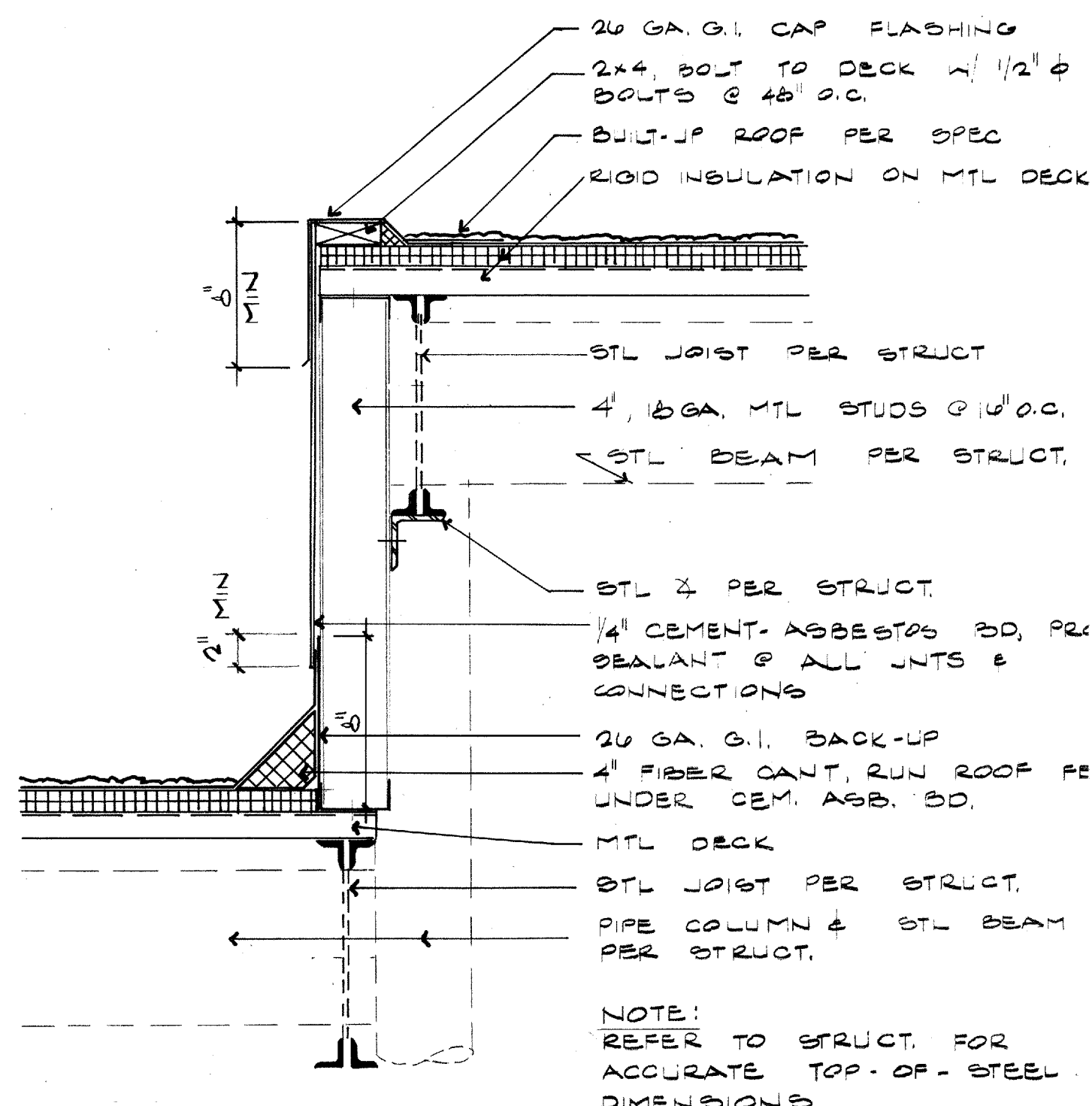
**04 COVER ELEVATION**  
SC: N.T.S.



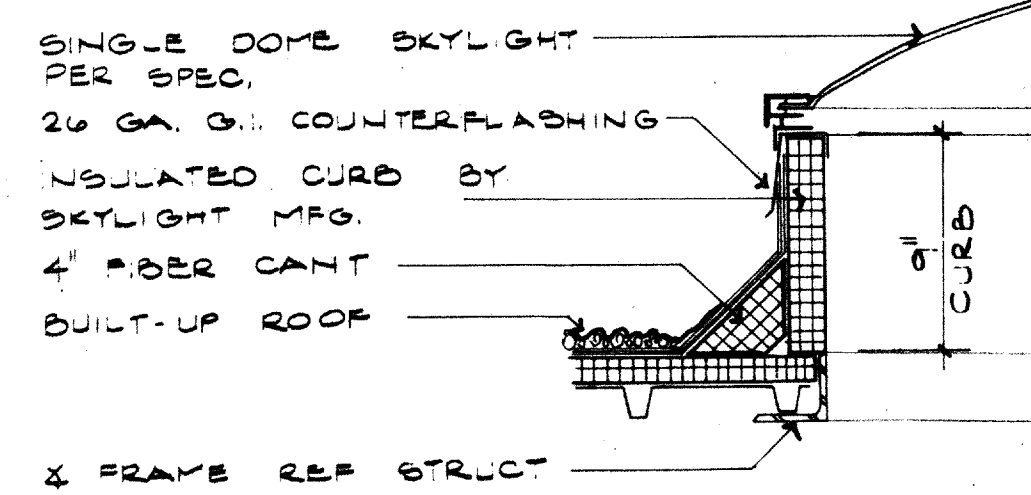
**05 COVER ELEVATION**  
SC: N.T.S.



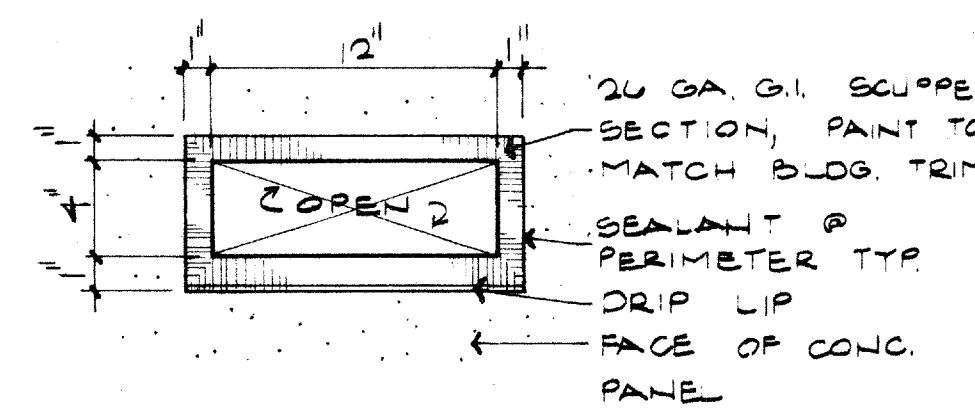
**01 ROOF PLAN**  
SC: 1/2" = 1'-0"



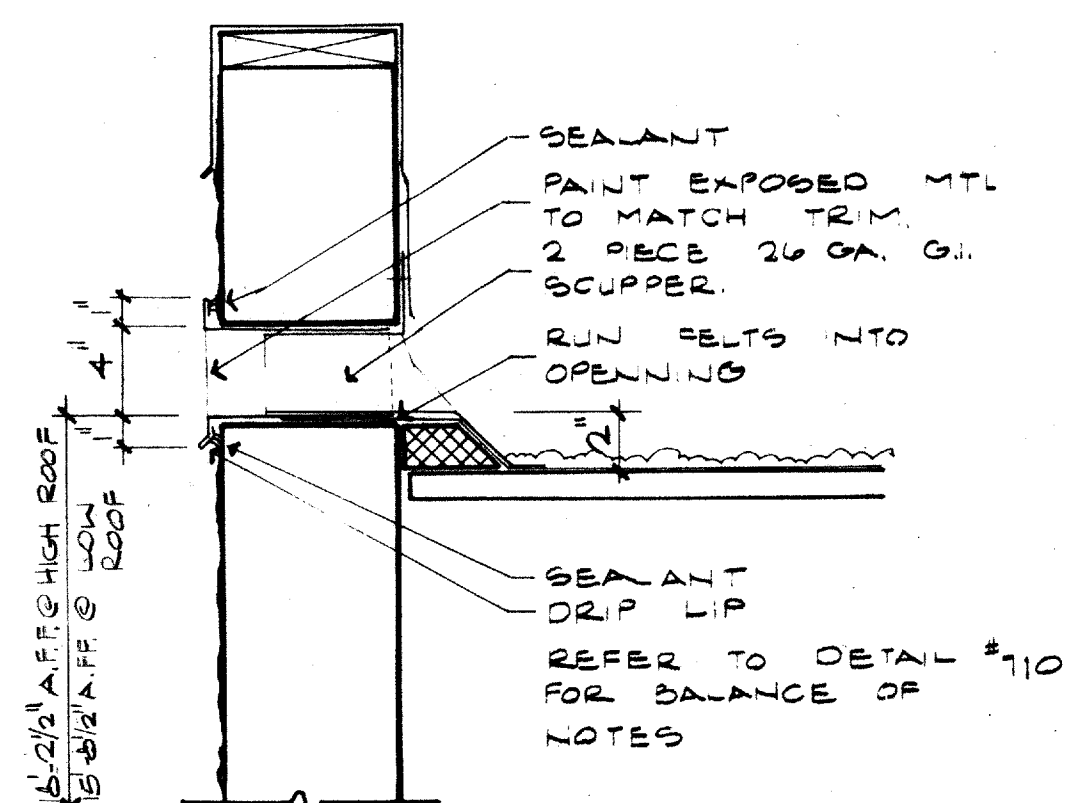
**06 ROOF HEIGHT CHANGE**  
SC: 1/2" = 1'-0"



**03 SKYLIGHT FRAME**  
SC: 1/2" = 1'-0"



**07 SCUPPER ELEVATION**  
SC: 1/2" = 1'-0"



**08 SCUPPER SECTION**  
SC: 1/2" = 1'-0"

**City of Addison**  
**PUBLIC WORKS SERVICE CENTER**  
Dooley Road

**EDJ CAPE HOPKINS CLEMENT, INC.**  
PLANNING ARCHITECTURE INTERIOR DESIGN  
TWO NORTH PARK EAST, 120 DALLAS 214/750-1945  
AMERICAN INSTITUTE OF ARCHITECTS AMER SOC CONSULTING PLANNERS

ISSUE DATE: 6/12/80  
REVISIONS:  
SHEET NUMBER: **9**  
Copyright © 1980  
Ed Cape Hopkins Clement Inc.  
#200600