

INSTALLER NOTE:
VERIFY SKYLIGHT LOCATIONS
WITH G.C. VERIFY SKYLIGHT
OPENING WITH SKYLIGHT SUPPLIER'S
DRAWINGS.

VITRUVIAN PARK
VITRUVIAN WAY
ADDISON, TEXAS
ANDRES CONSTRUCTION
PARK RESTROOM

DATE: 8/15/12

CHECKED BY: CP

DRAWN BY: CP

JOB NO.: 31157

QI WORKS

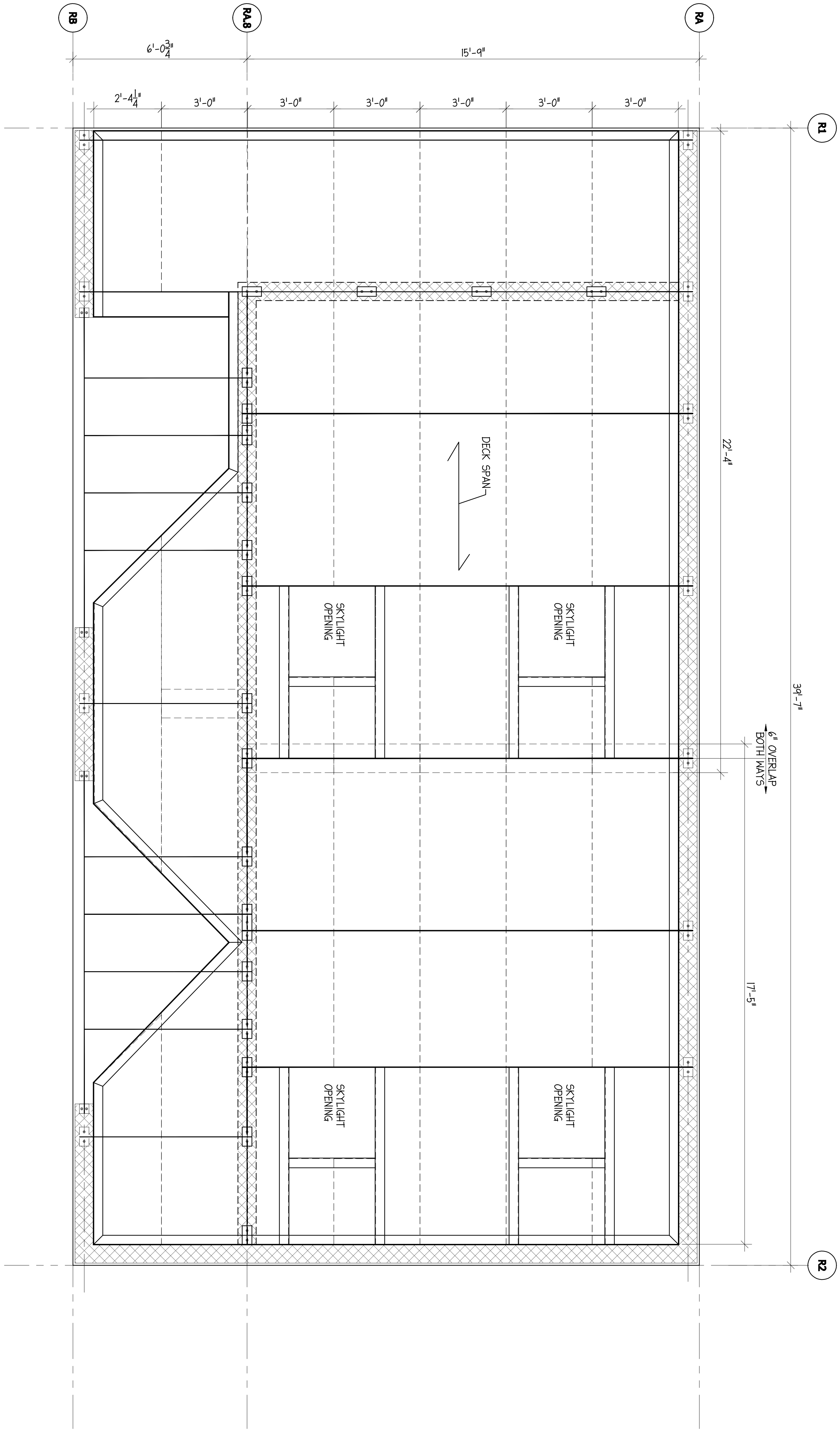
NO.	DATE	REVISIONS	DRAWN	CHK'D
1	8/21/12	FOR APPROVAL	CP	CP
2	9/18/12	FOR FIELD USE	CP	CP
3	1/7/13	AS BUILT	CP	CP

ENGINEER SEAL

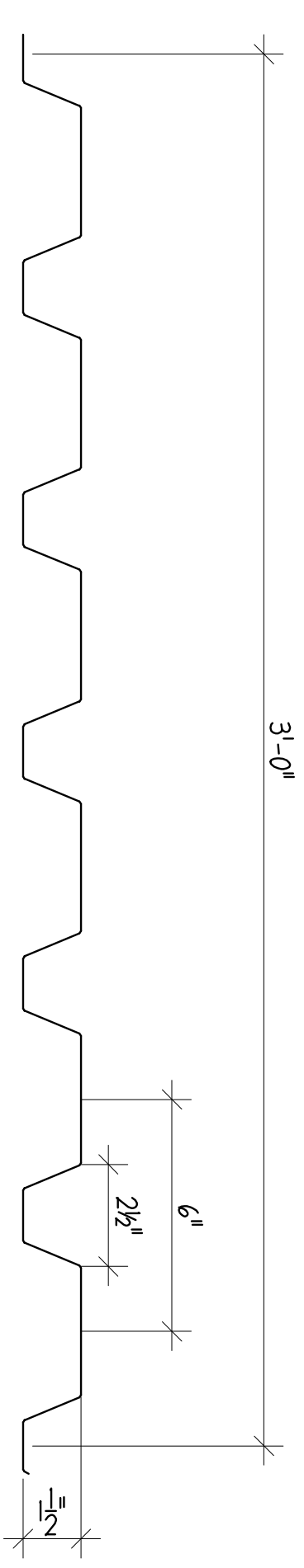
Quality Ironworks, Inc.

1607 W. Commerce St.
Dallas, TX 75208

Phone: (214) 688-0180
Fax: (214) 688-0281



1 DECK LAYOUT



20 GA. B-DECK
 3'-0"
 6"
 2 1/2"
 1/2"
 3/8" FIDDLE WELDS 3/4 @ ENDS AND SUPPORT BEAMS
 3/8" FIDDLE WELDS @ 12" O.C. @ PERIMETER
 #10x3/4 HHK TEK SCREENS SPER SPAN @ SIDELAPS.

DECK FASTENING DETAIL

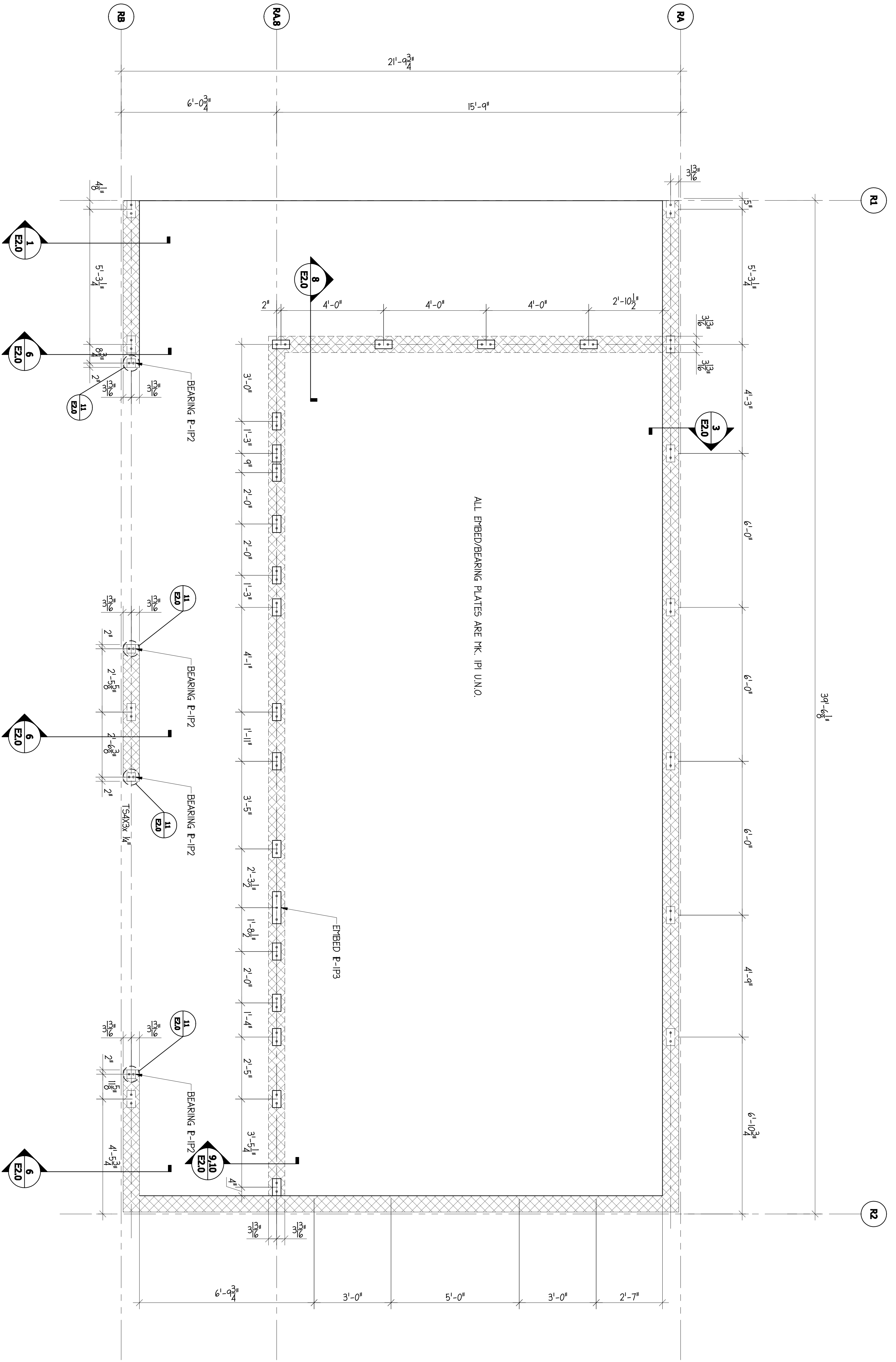
ENGINEER SEAL

Quality Ironworks, Inc.
 1507 W. Commerce St.
 Dallas, Tx 75208
 Phone:(214) 688-0180
 Fax:(214) 688-0281

NO.	DATE	REVISIONS	DRAWNCHK'D
1	8/21/12	FOR APPROVAL	CP
2	9/18/12	FOR FIELD USE	CP
3	1/7/13	AS BUILT	CP

QI WORKS
 JOB NO.: 31157
 DRAWN BY: CP
 CHECKED BY:
 DATE: 8/15/12

VITRUVIAN PARK
 VITRUVIAN WAY
 ADDISON, TEXAS
 ANDRES CONSTRUCTION
 PARK RESTROOM
 SHEET NO:
E1.1



1 EMBED/BEARING PLATE LAYOUT

ALL EMBED/BEARING PLATES ARE 1/4" PL UNO.

ENGINEER SEAL

Quality Ironworks, Inc.
 1507 W. Commerce St.
 Dallas, Tx 75208
 Phone:(214) 688-0180
 Fax:(214) 688-0281

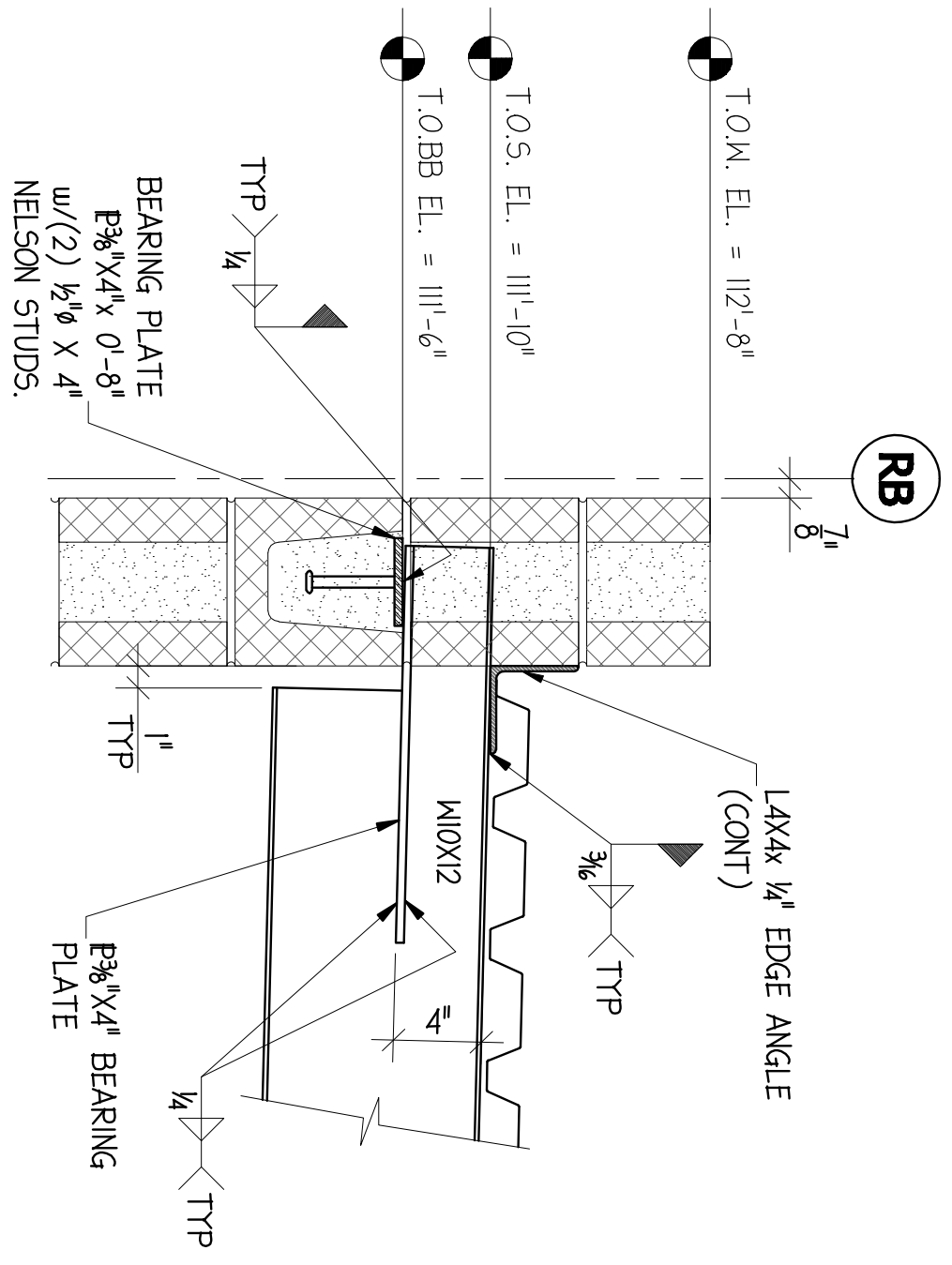
NO.	DATE	REVISIONS	DRAWNCHK'D
1	8/21/12	FOR APPROVAL	CP
2	9/18/12	FOR FIELD USE	CP
3	1/7/13	AS BUILT	CP

NO.	DATE	REVISIONS	DRAWNCHK'D
1	8/21/12	FOR APPROVAL	CP
2	9/18/12	FOR FIELD USE	CP
3	1/7/13	AS BUILT	CP

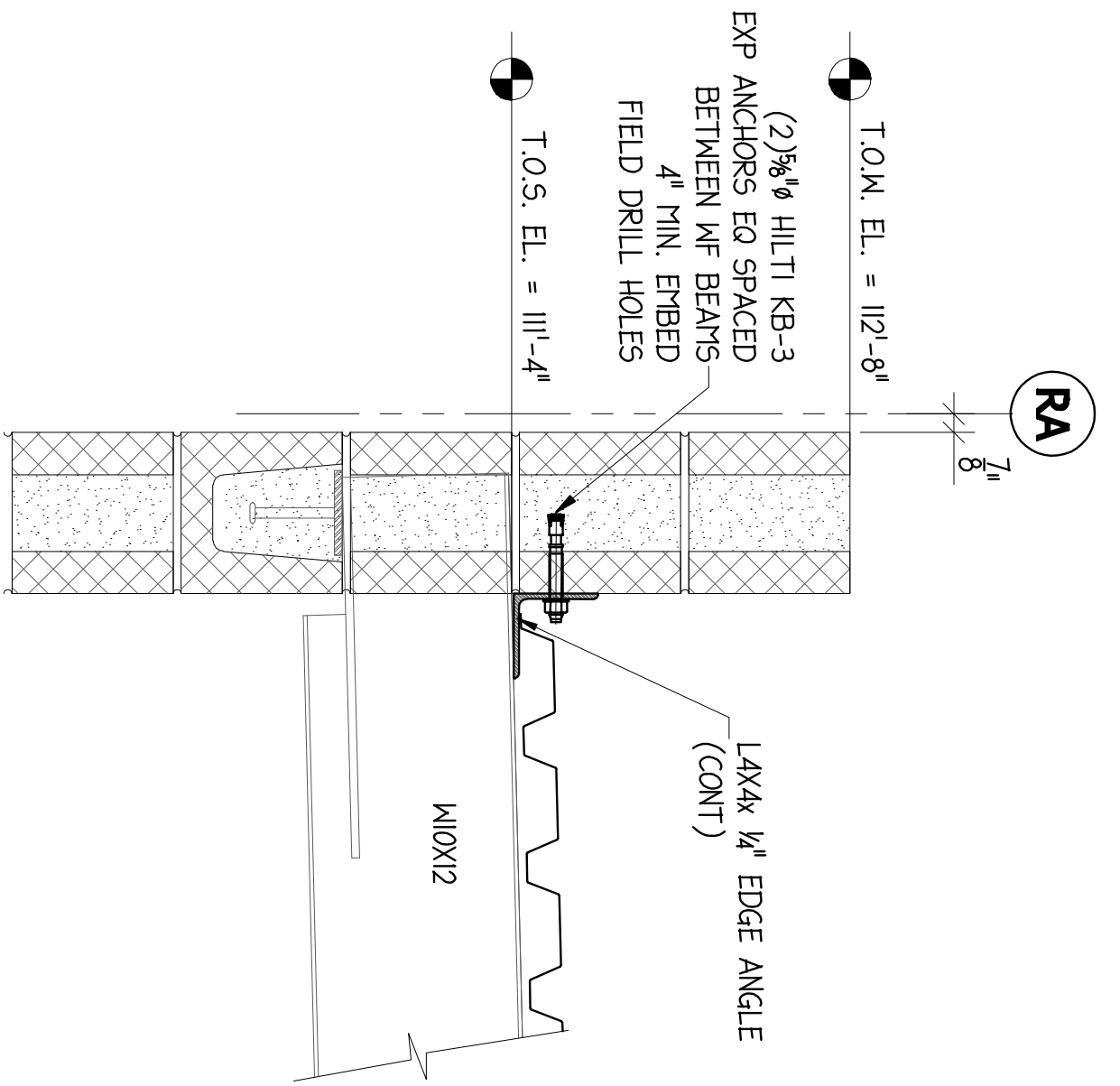
QI WORKS
 JOB NO.: 31157
 DRAWN BY: CP
 CHECKED BY:
 DATE: 8/15/12

VITRUVIAN PARK
 VITRUVIAN WAY
 ADDISON, TEXAS
 ANDRES CONSTRUCTION
 EMBED/BEARING PLATE PLANS

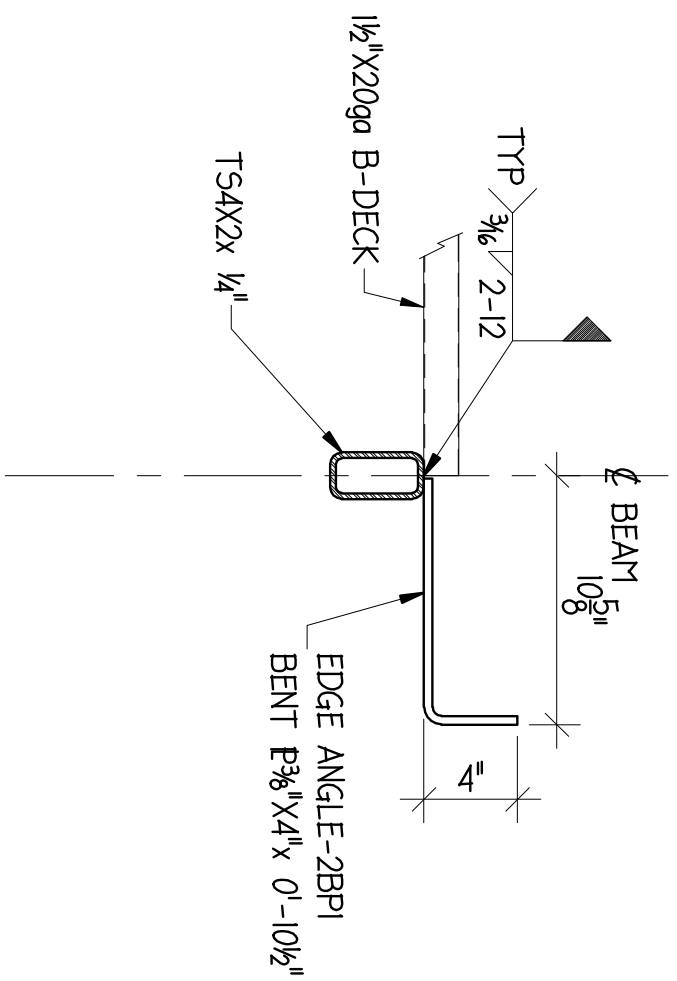
SHEET NO:
E1.2



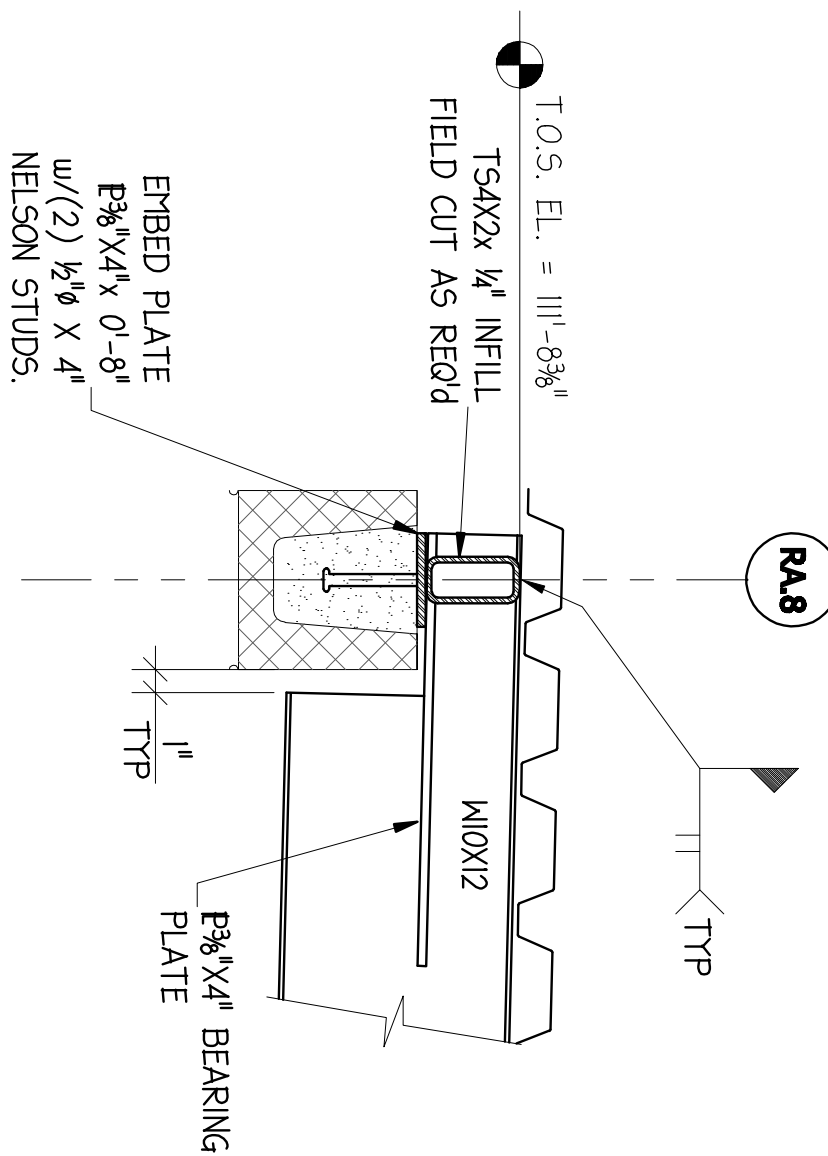
1 TYP BEAM BEARING PLATE SECTION
REF: 12/53.1



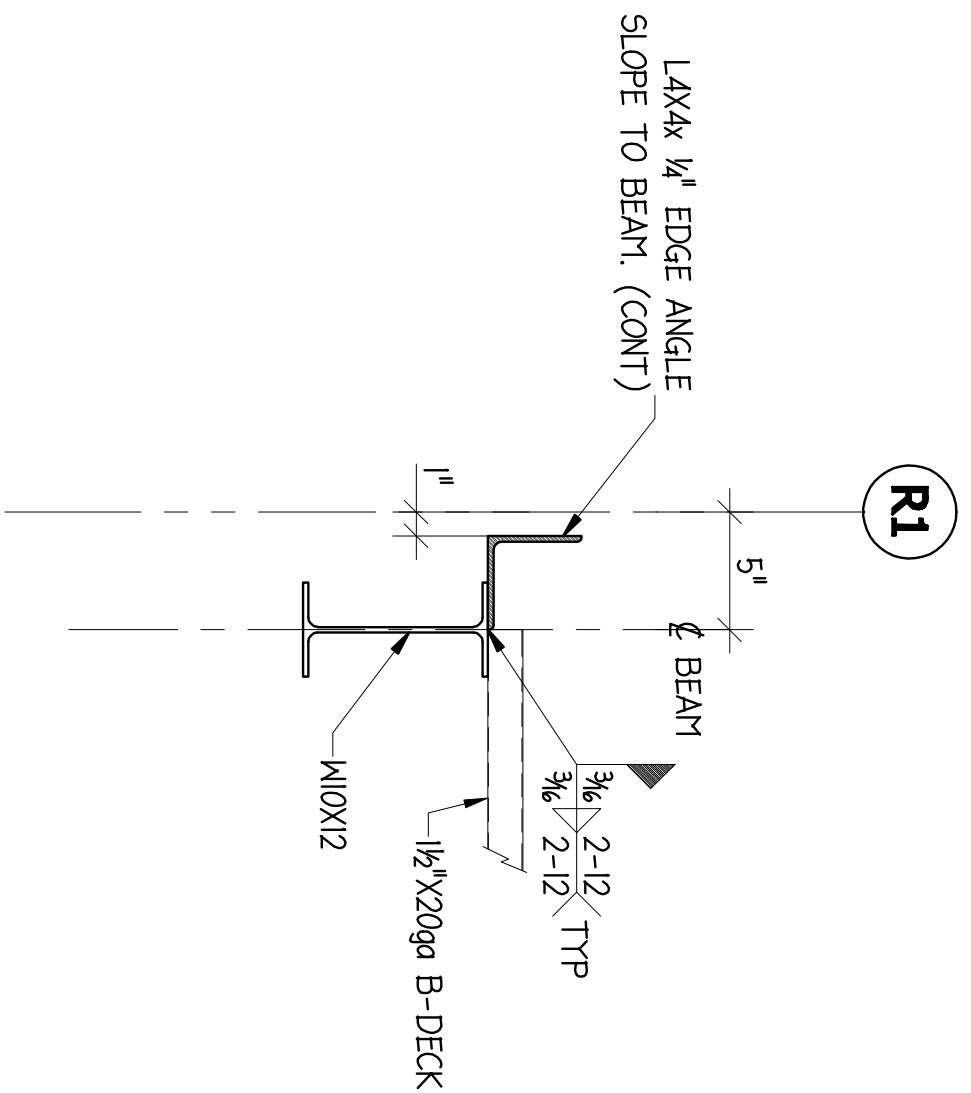
4 EDGE ANGLE
REF: 12/53.1



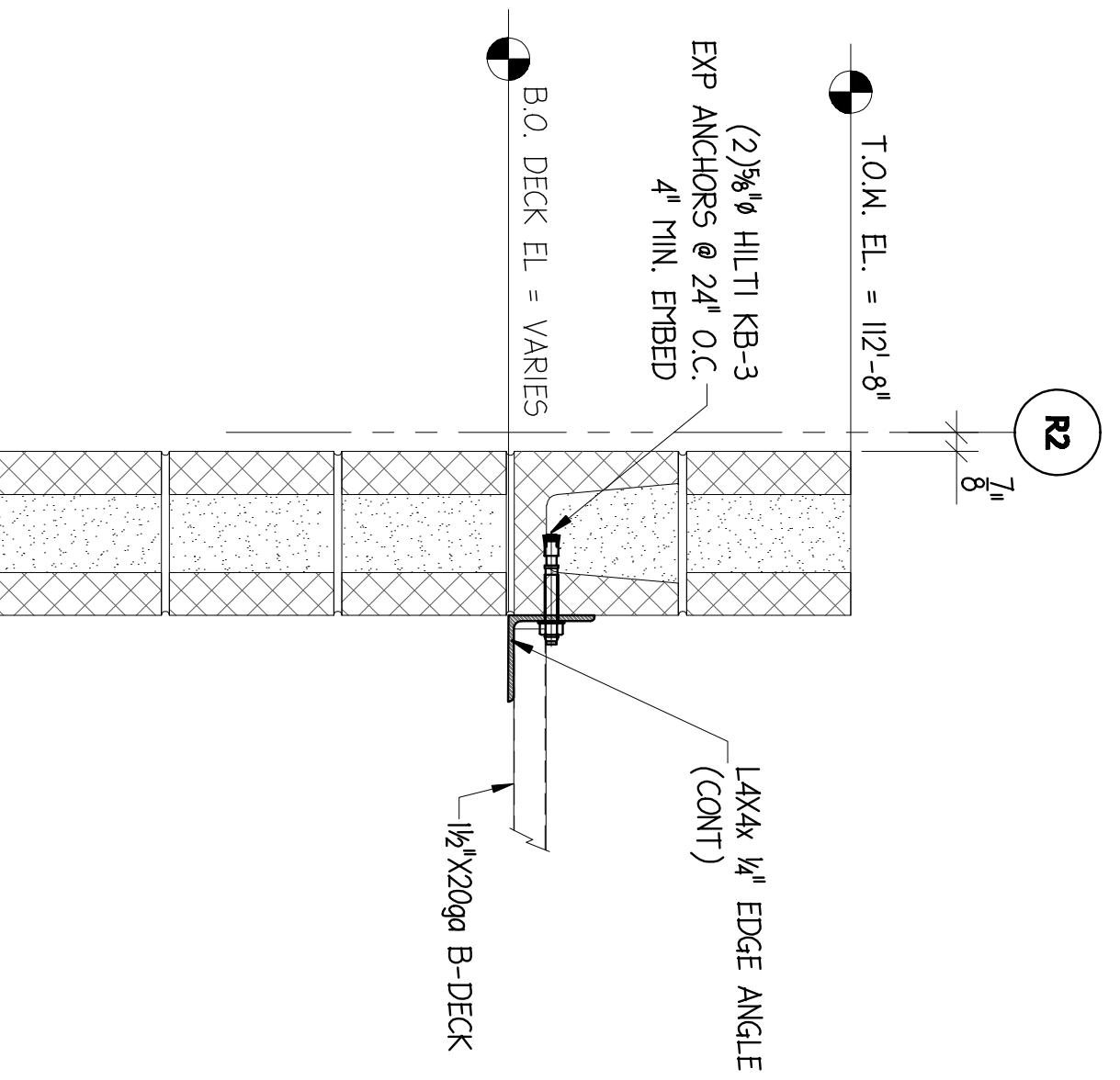
7 BENT PLATE EDGE ANGLE
REF: 12/53.1



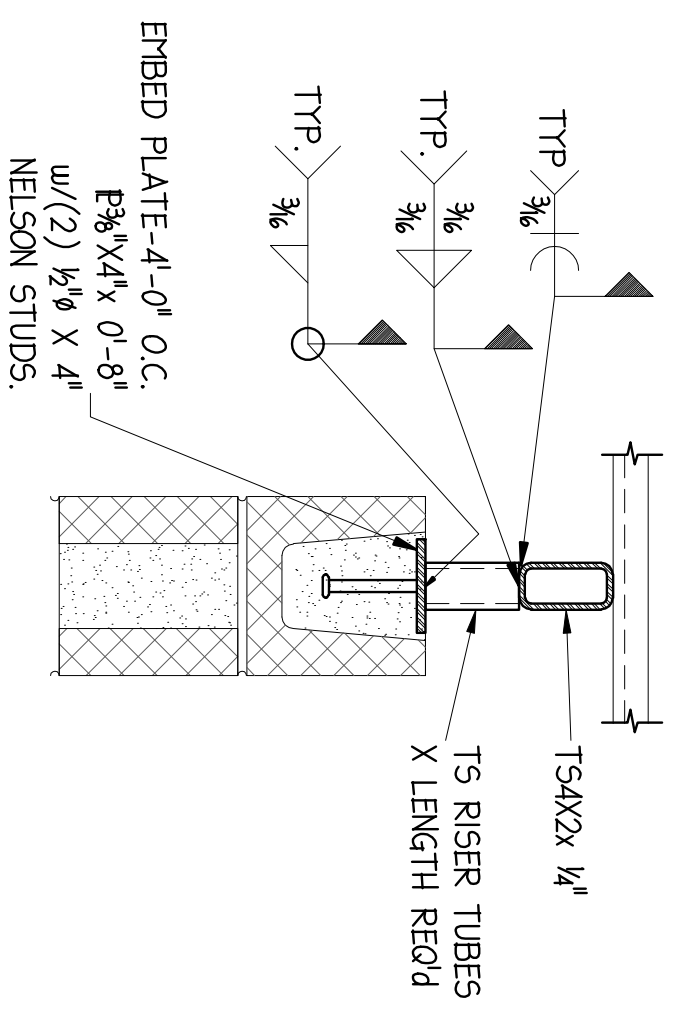
10 SECTION @ CMU WALL
REF: 2/53.1



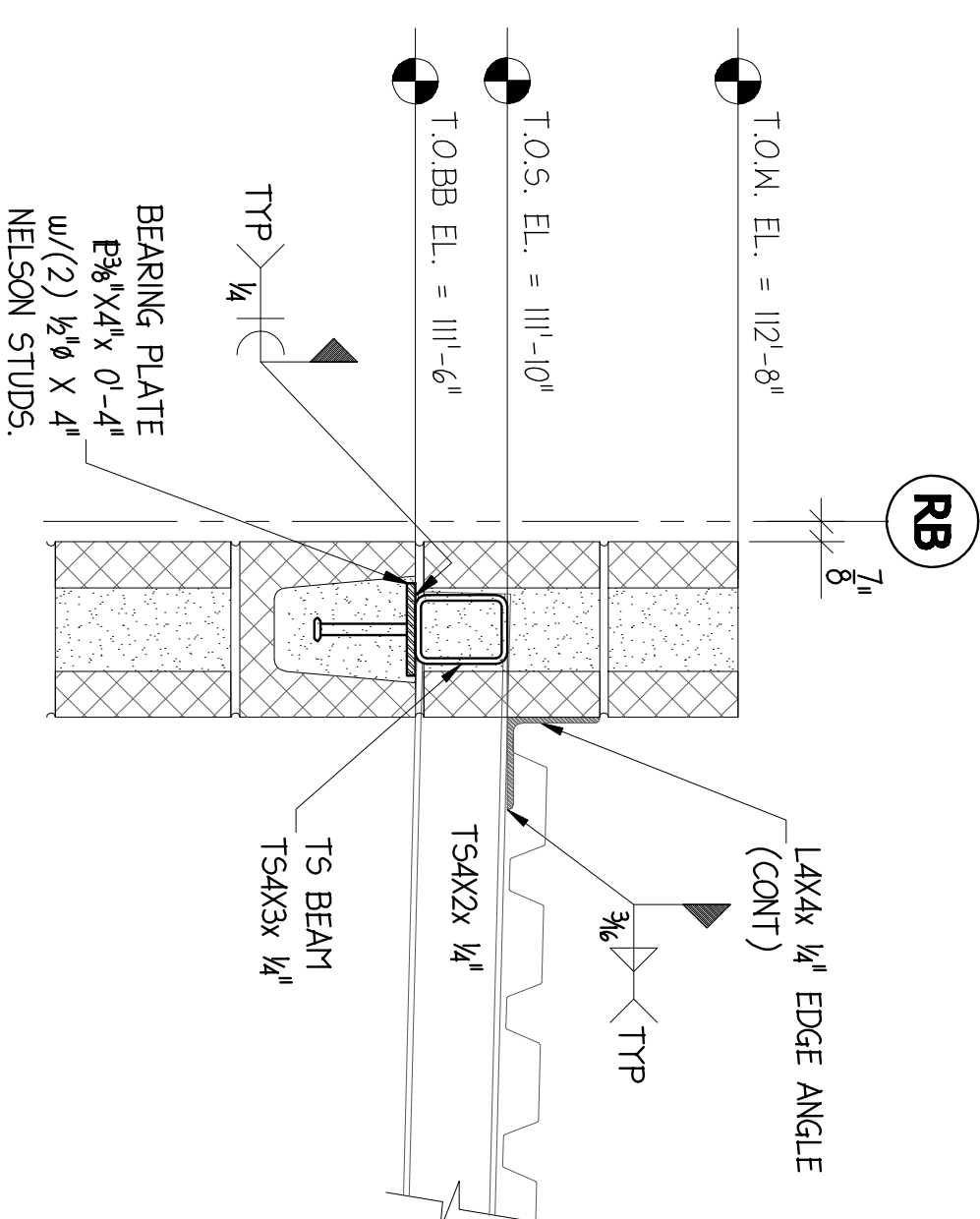
2 SECTION @ EDGE ANGLE
REF: 2/53.1



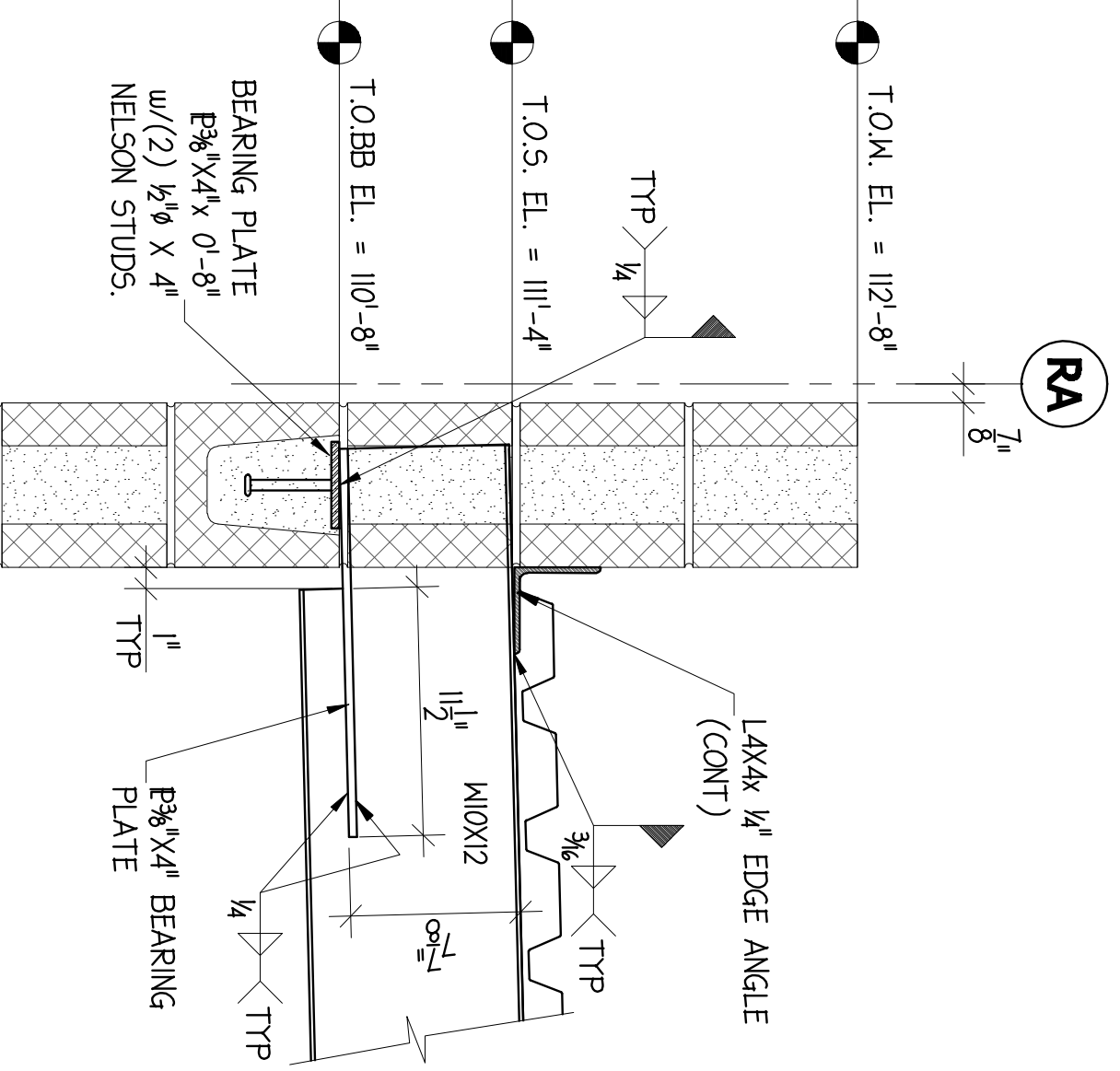
5 EDGE ANGLE
REF: 12/53.1



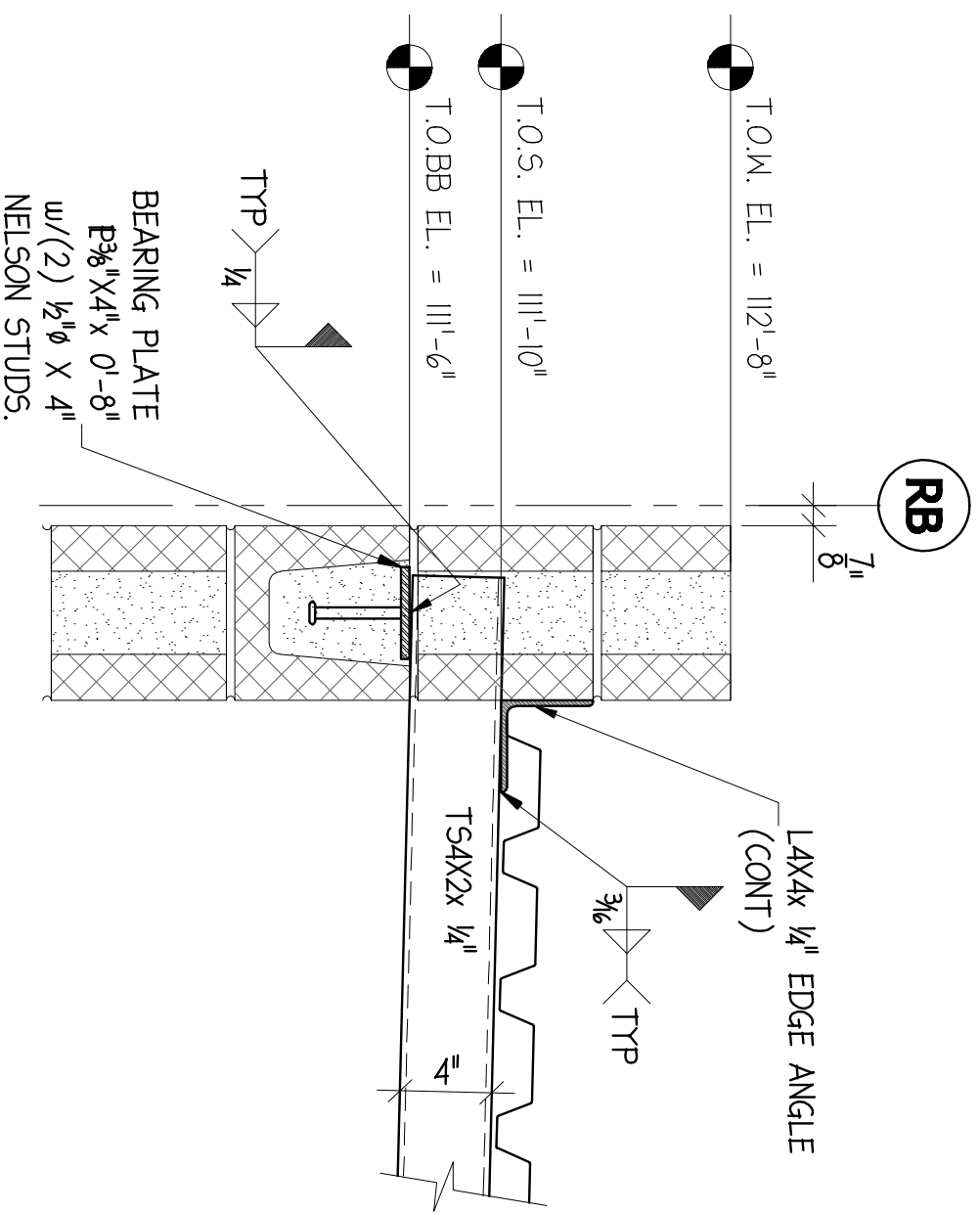
8 SECTION @ CMU WALL
REF: 2/53.1



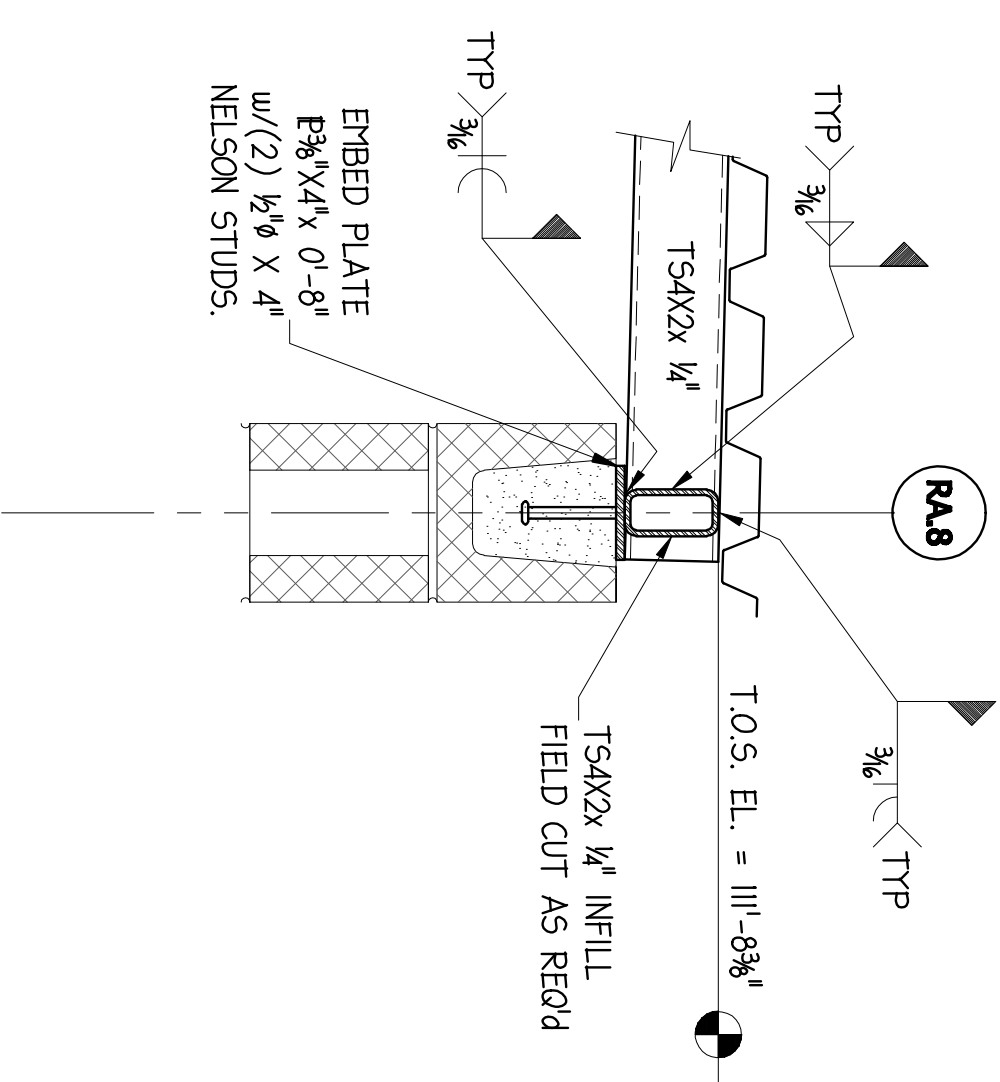
11 DETAIL @ CMU END WALL



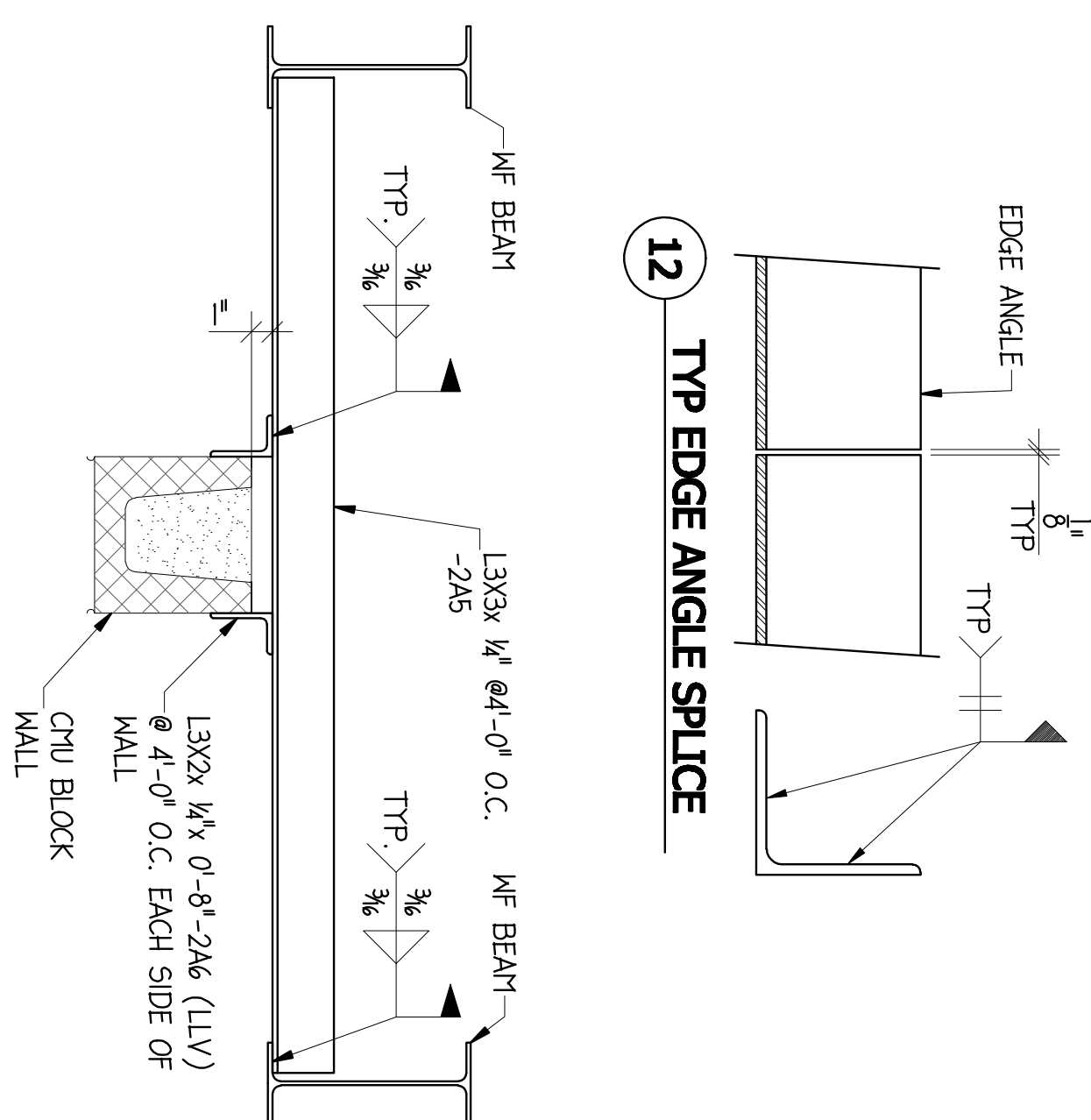
3 TYP BEAM BEARING PLATE SECTION
REF: 12/53.1



6 TS BEAM @ CMU WALL
REF: 12/53.1



9 SECTION @ CMU WALL
REF: 2/53.1



12 TYP EDGE ANGLE SPLICE

13 CMU BRACING

NO.	DATE	REVISIONS	DRAWN	CHK'D
1	8/21/12	FOR APPROVAL	CD	CD
2	9/18/12	FOR FIELD USE	CD	CD
3	1/7/13	AS BUILT	CD	CD

ENGINEER SEAL

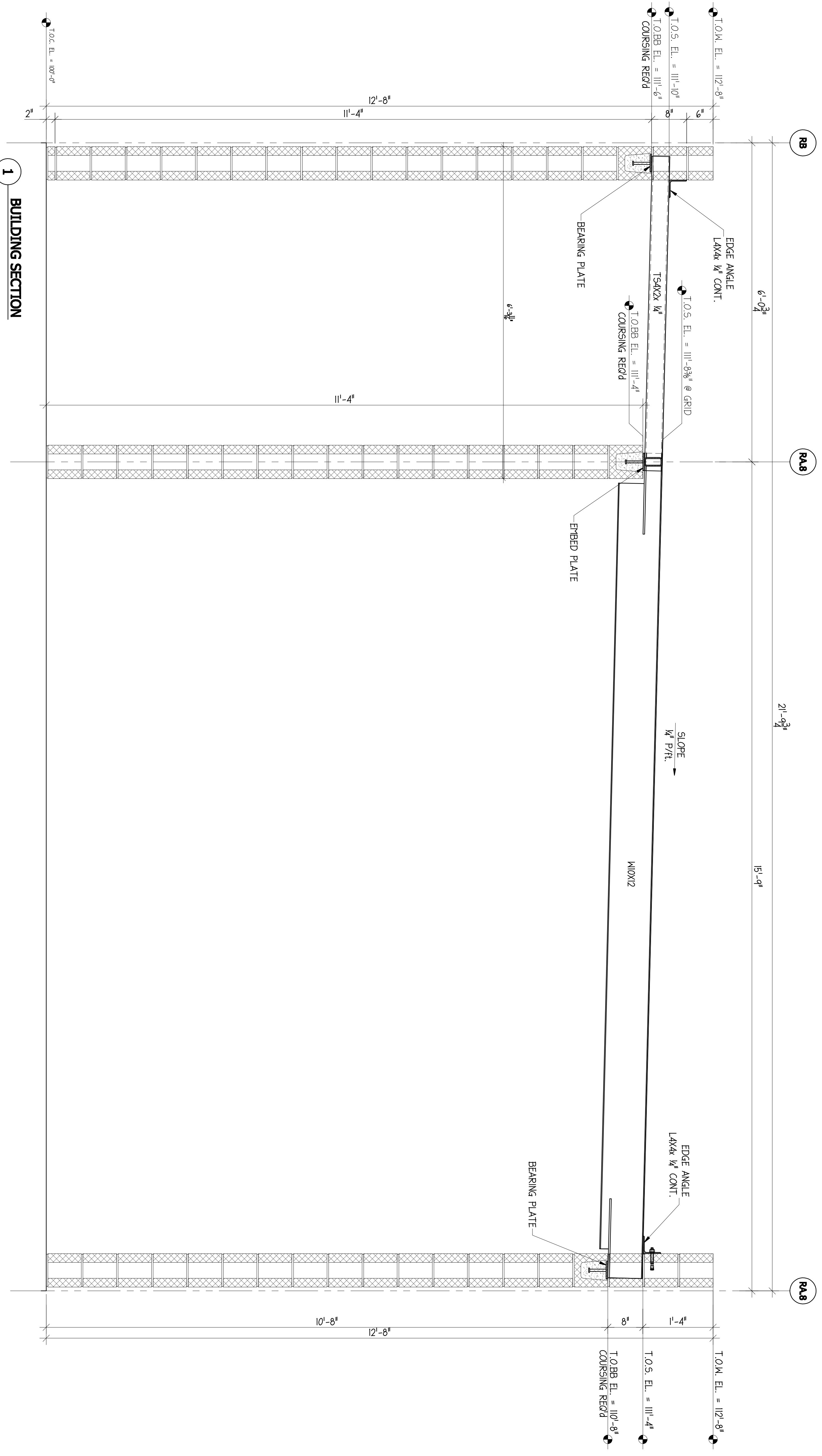
Quality Ironworks, Inc.
1607 W. Commerce St. Dallas, Tx 75208
Phone:(214) 688-0180 Fax:(214) 688-0281

THIS DRAWING IS THE PROPERTY OF QUALITY IRONWORKS, INC. IT IS TO BE USED ONLY FOR THE PROJECT AND SITE SPECIFICALLY IDENTIFIED THEREON. IT IS NOT TO BE REPRODUCED, COPIED, OR TRANSMITTED IN ANY FORM OR BY ANY MEANS, ELECTRONIC OR MECHANICAL, INCLUDING PHOTOCOPYING, RECORDING, OR BY ANY INFORMATION STORAGE AND RETRIEVAL SYSTEM, WITHOUT THE WRITTEN PERMISSION OF QUALITY IRONWORKS, INC. ANY UNAUTHORIZED USE OF THIS DRAWING IS PROHIBITED AND WILL BE PROSECUTED TO THE FULL EXTENT OF THE LAW.

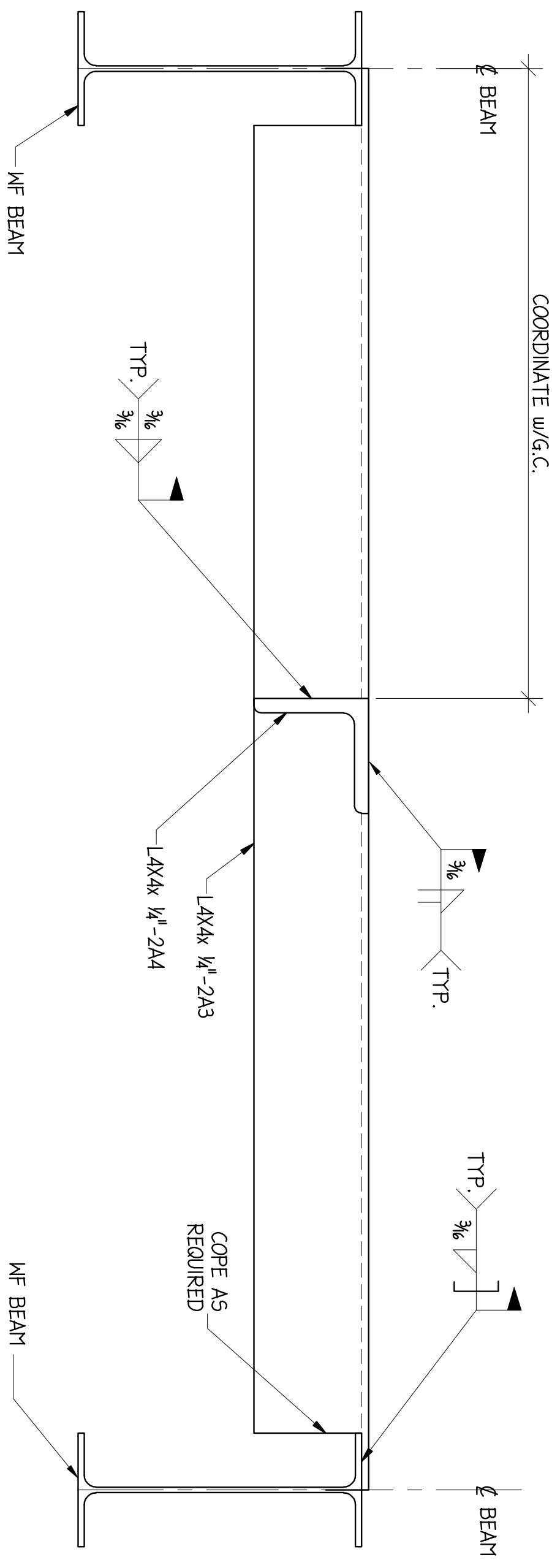
QI WORKS
JOB NO.: 31157
DRAWN BY: CP
CHECKED BY:
DATE: 8/15/12

VITRUVIAN PARK
VITRUVIAN WAY
ADDISON, TEXAS
ANDRES CONSTRUCTION
PARK RESTROOM

SHEET NO:
E2.0



1 BUILDING SECTION



2 SKYLIGHT DETAIL

NO.	DATE	REVISIONS	DRAWN	CHK'D
1	8/21/12	FOR APPROVAL	CP	
2	9/18/12	FOR FIELD USE	CP	
3	1/7/13	A5 BUILT	CP	
4				
5				

QI WORKS
 JOB NO.: 31157
 DRAWN BY: CP
 CHECKED BY:
 DATE: 8/15/12

ENGINEER SEAL
 I, _____, ENGINEER
 QUALITY IRONWORKS, INC.
 1507 W. COMMERCE ST.
 DALLAS, TX 75208

Quality Ironworks, Inc.
 1507 W. Commerce St.
 Dallas, TX 75208
 Phone: (214) 688-0180
 Fax: (214) 688-0281

VITRUVIAN PARK
 VITRUVIAN WAY
 ADDISON, TEXAS
 ANDRES CONSTRUCTION
 PARK RESTROOM
 SHEET NO: **E2.1**