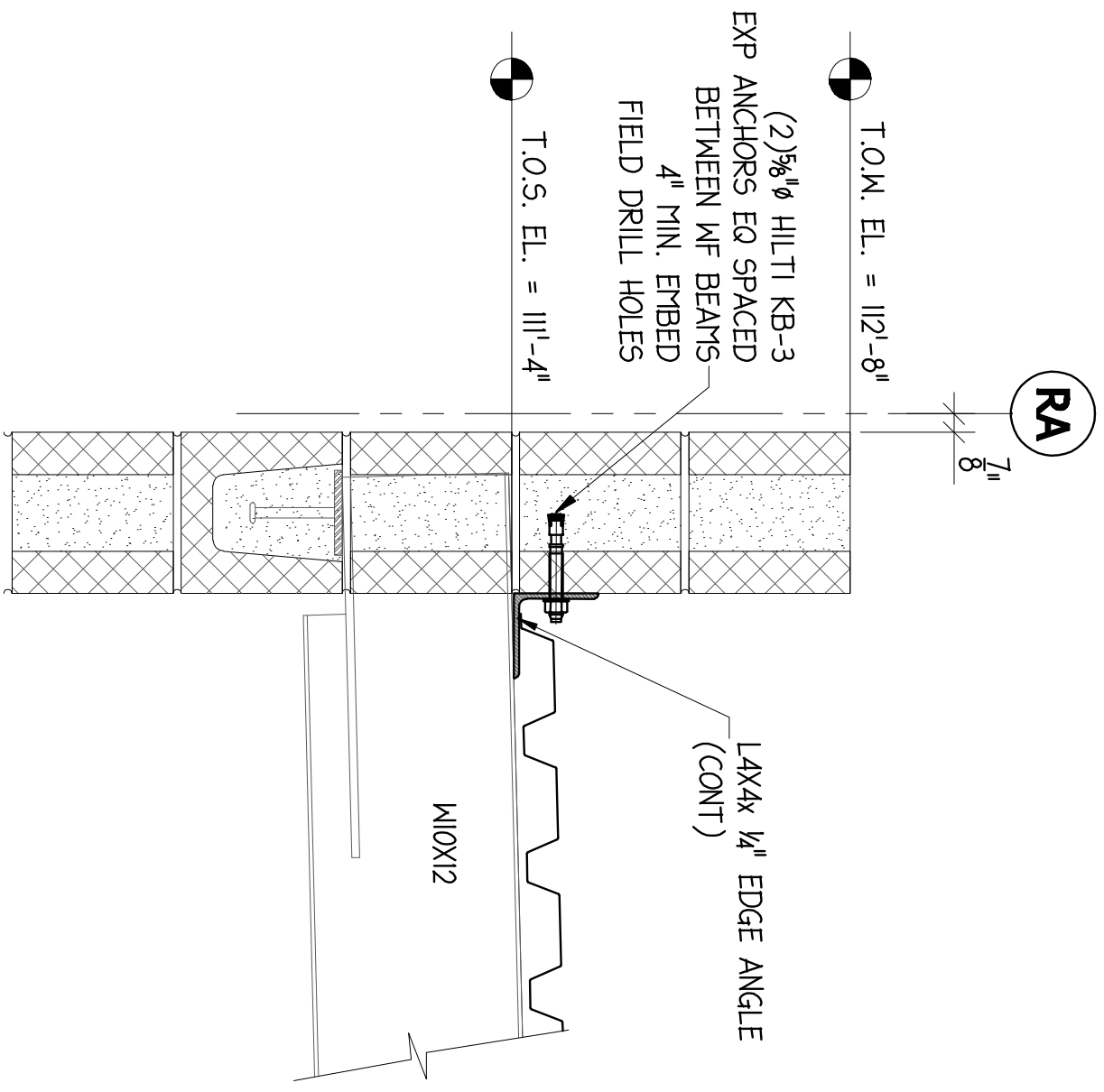
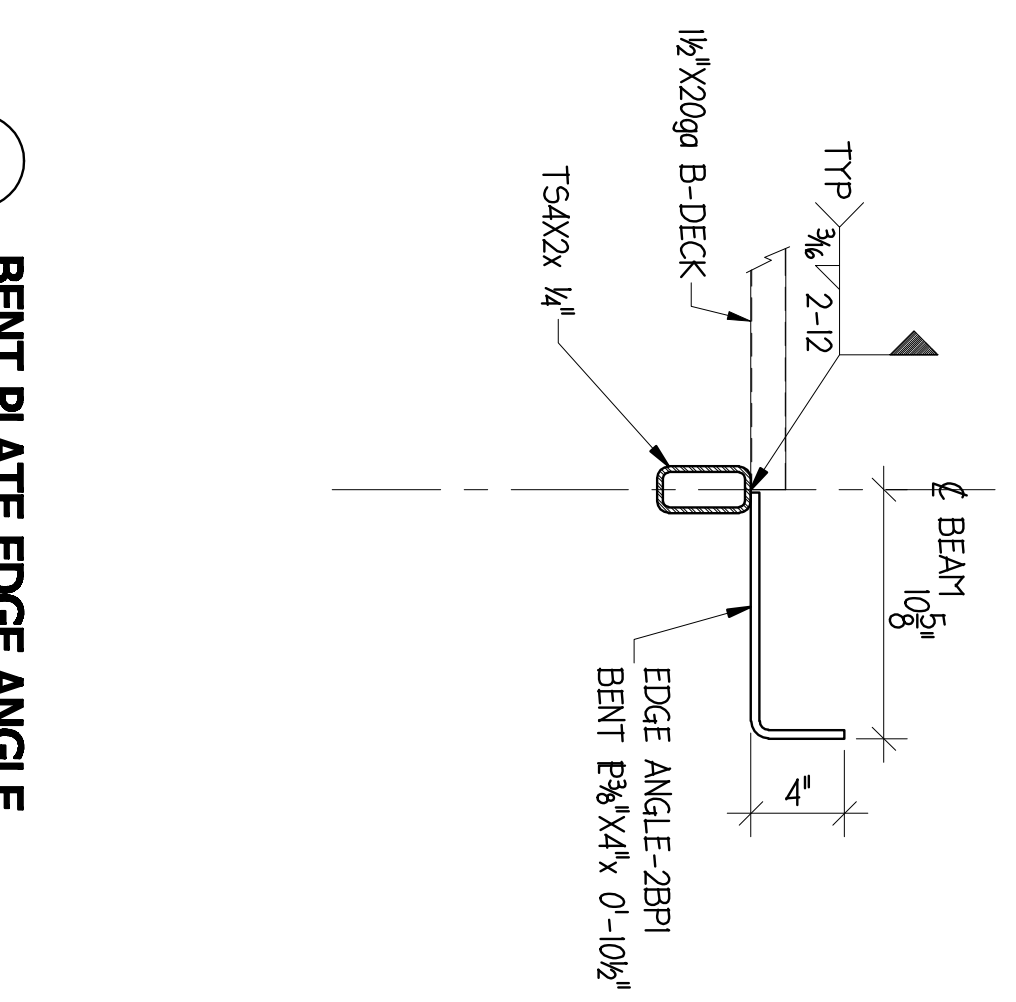


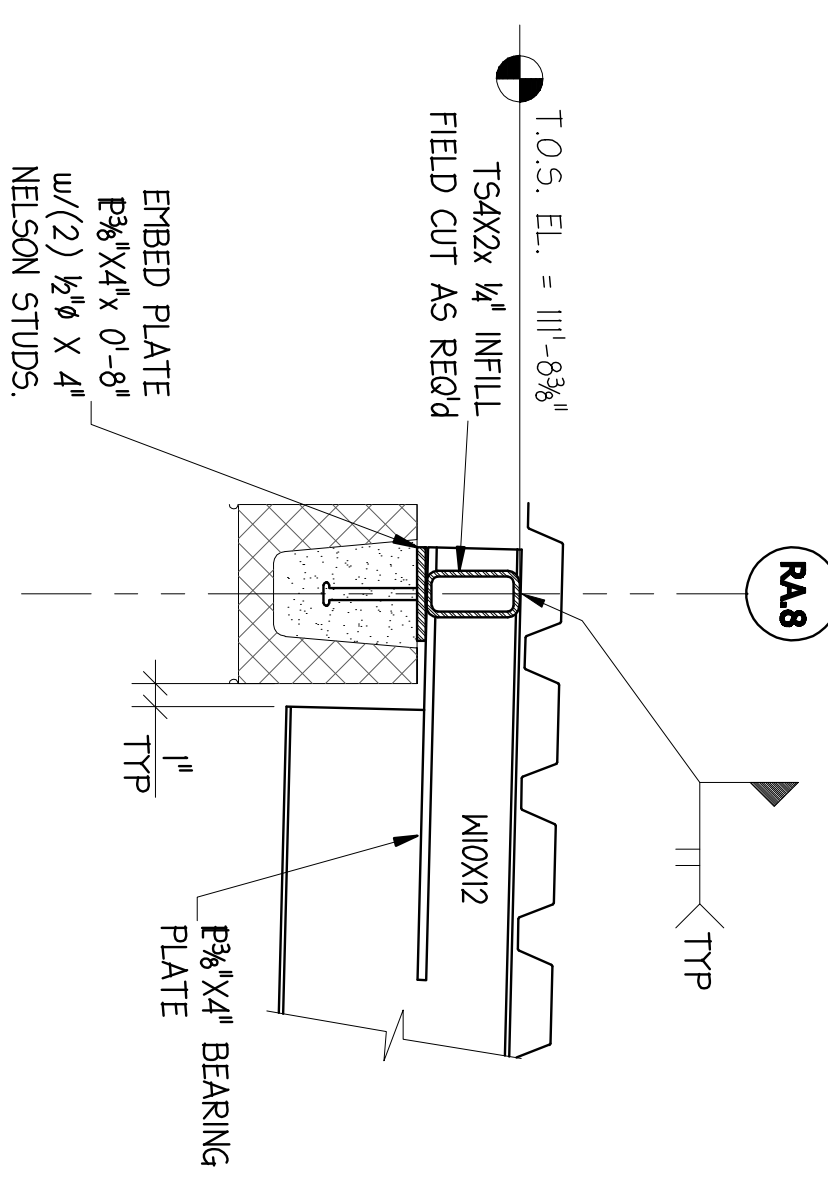
1 TYP BEAM BEARING PLATE SECTION
REF: 12/53.1



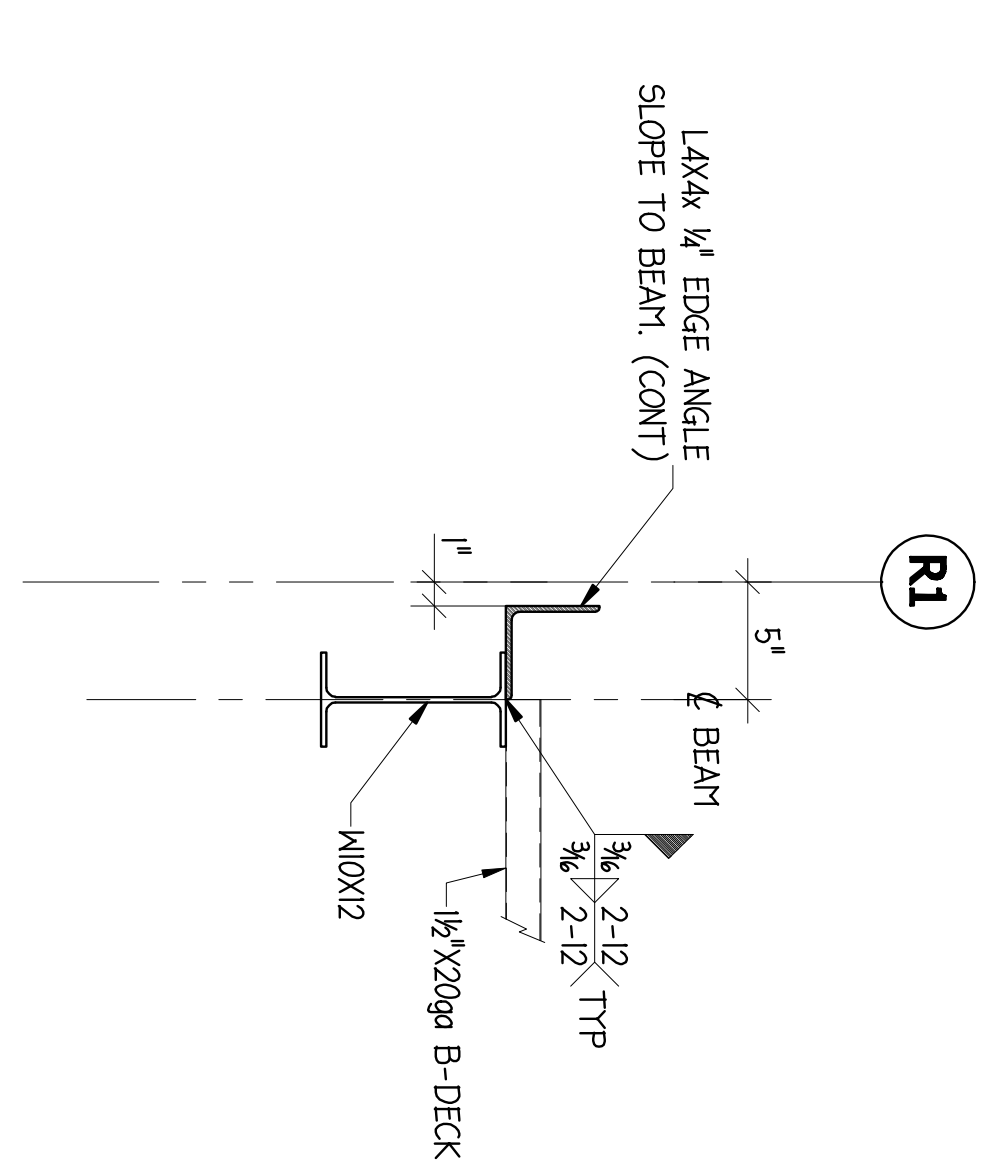
2 SECTION @ EDGE ANGLE
REF: 12/53.1



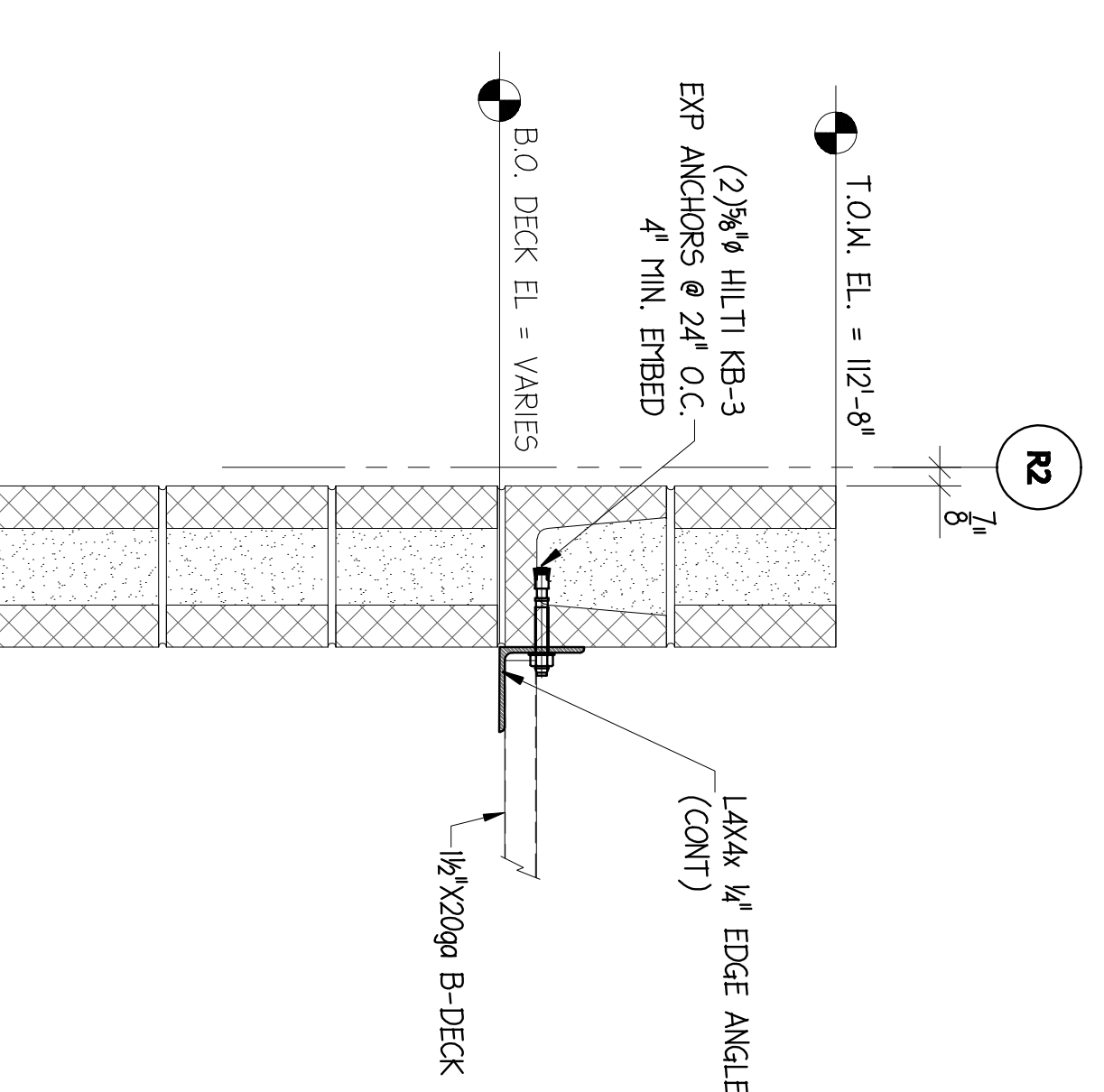
3 BENT PLATE EDGE ANGLE
REF: 13/53.1



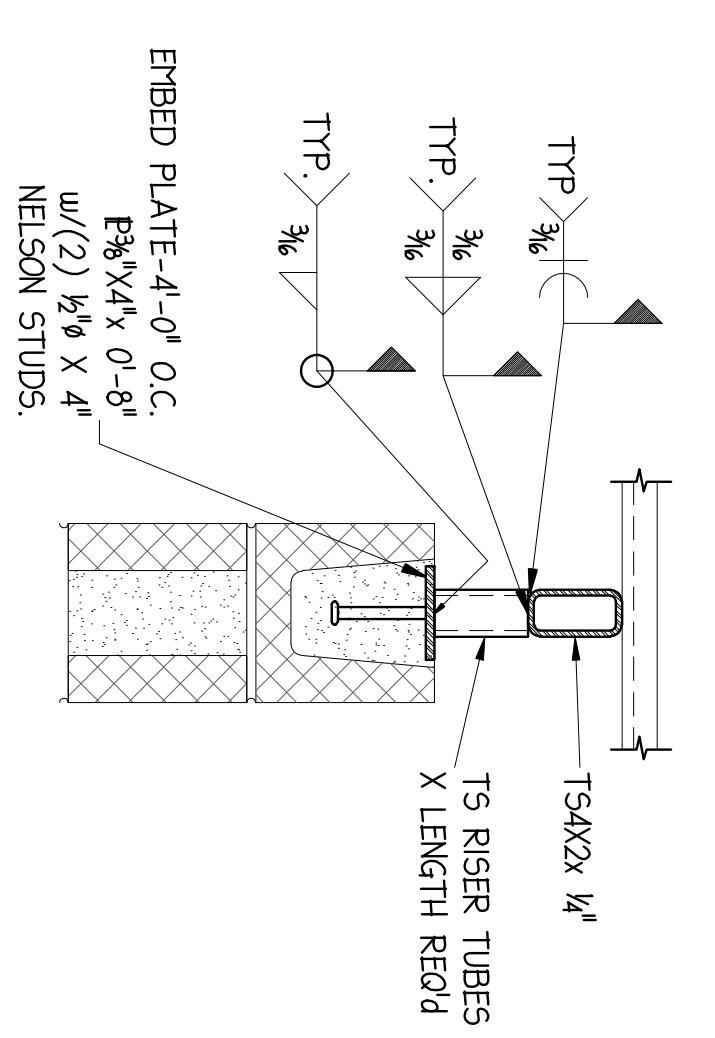
4 SECTION @ CMU WALL
REF: 22/53.1



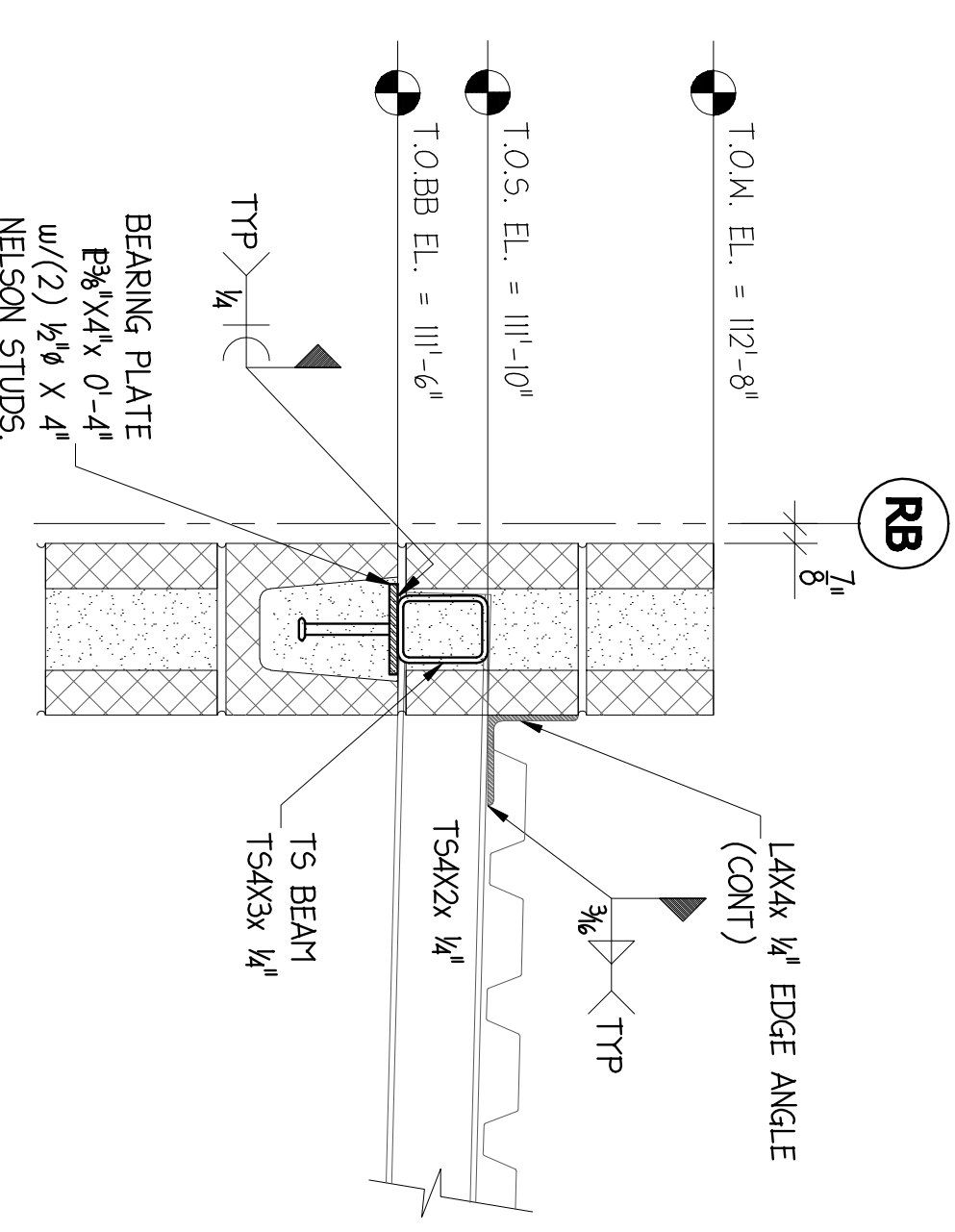
5 SECTION @ EDGE ANGLE
REF: 24/53.1



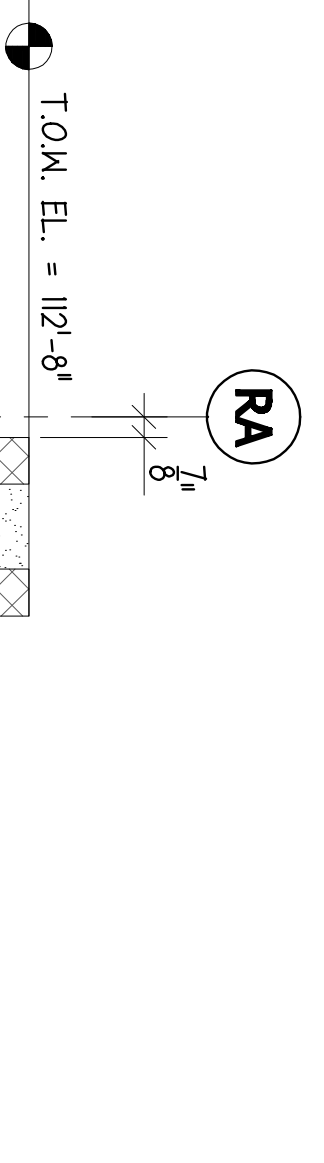
6 EDGE ANGLE
REF: 19/53.1



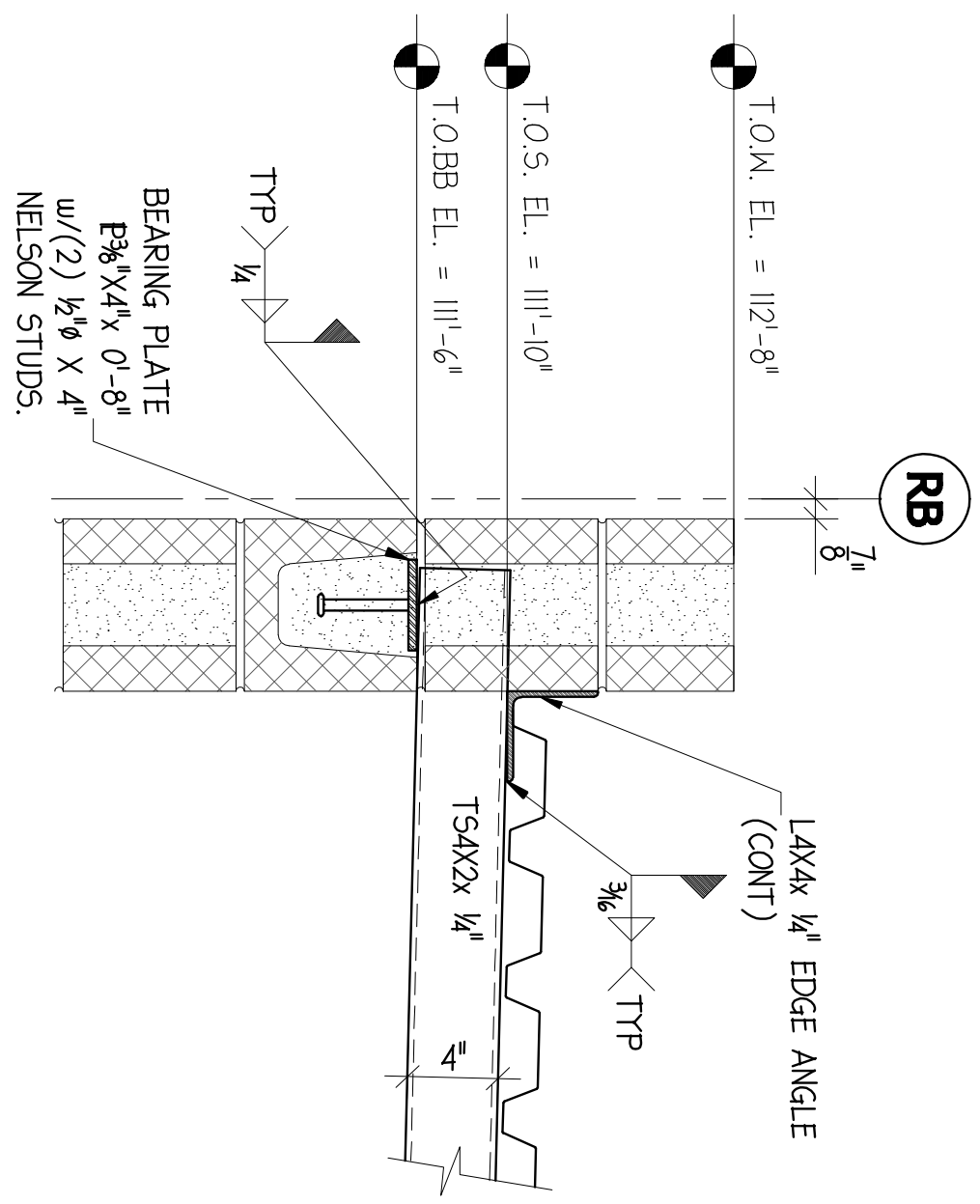
7 SECTION @ CMU WALL
REF: 24/53.1



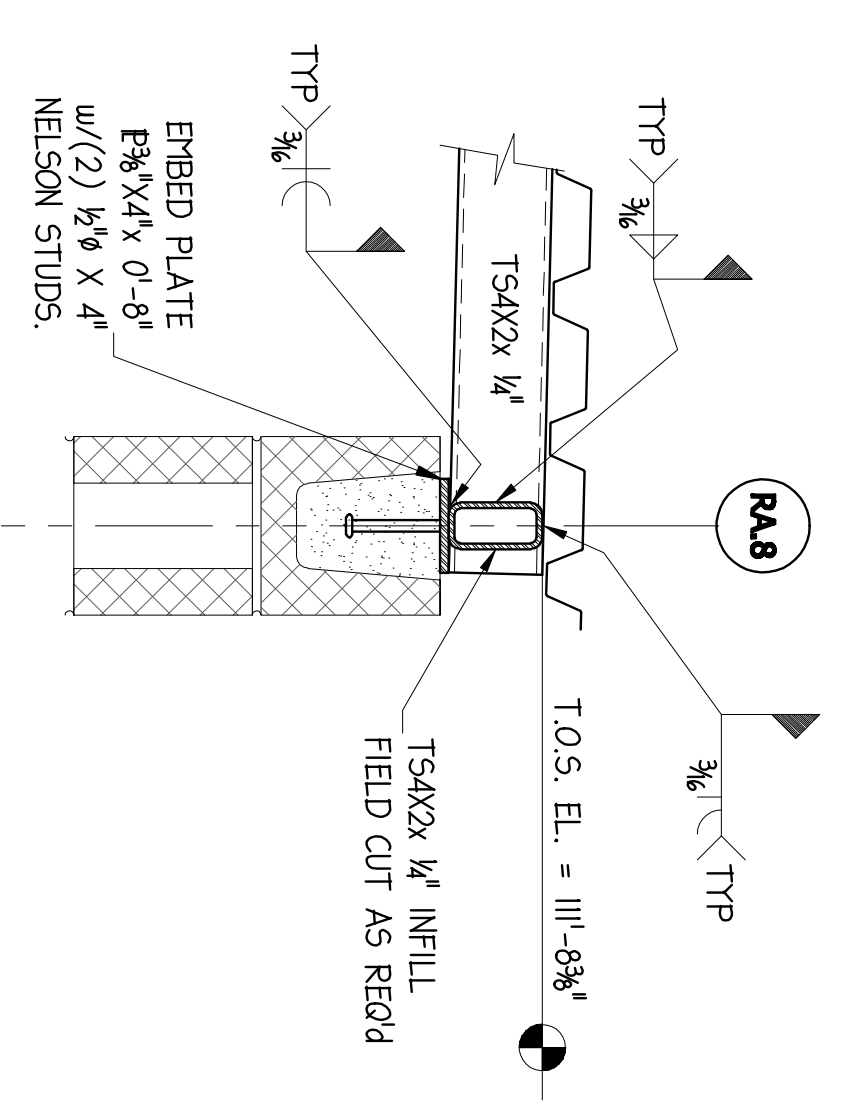
8 SECTION @ CMU END WALL
REF: 24/53.1



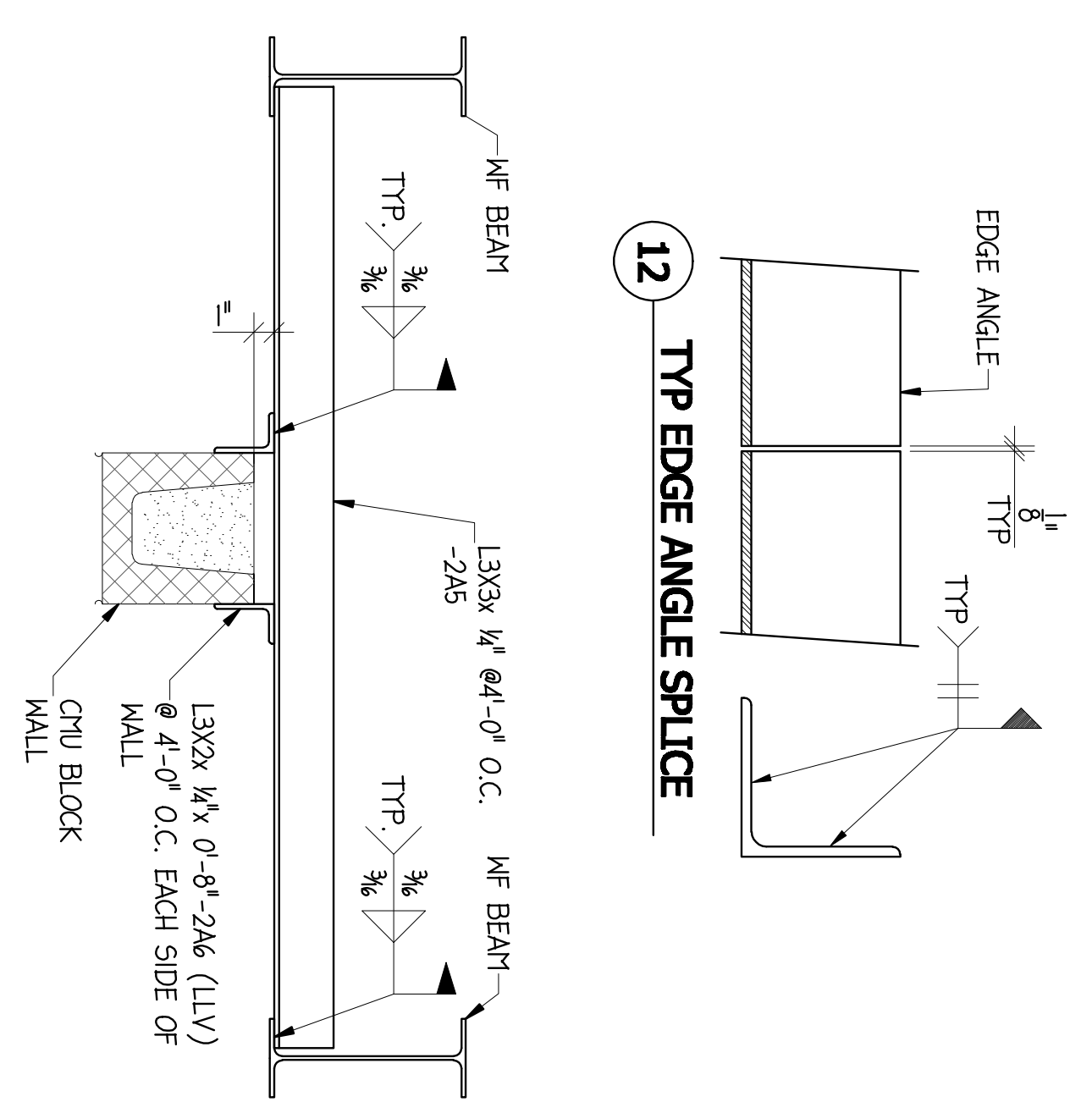
9 TYP BEAM BEARING PLATE SECTION
REF: 12/53.1



10 TS BEAM @ CMU WALL
REF: 12/53.1



11 SECTION @ CMU WALL
REF: 22/53.1



12 TYP EDGE ANGLE SPLICE
REF: 22/53.1

NO.	DATE	REVISIONS	DRAWN	CHK'D
1	8/21/12	FOR APPROVAL	CD	CD
2	9/18/12	FOR FIELD USE	CD	CD
3	1/7/13	AS BUILT	CD	CD

Q1 WORKS	DATE:
JOB NO.: 31157	8/15/12
DRAWN BY: CP	
CHECKED BY:	

ENGINEER SEAL

Quality Ironworks, Inc.
 1607 W. Commerce St. Dallas, Tx 75208
 Phone:(214) 688-0180 Fax:(214) 688-0281