



**VITRUVIAN PARK:  
 PARK TOILET BUILDING**  
 VITRUVIAN WAY  
 ADDISON, TX 75001  
 FOR PERMIT: 06.28.2012

No.	Date	Item

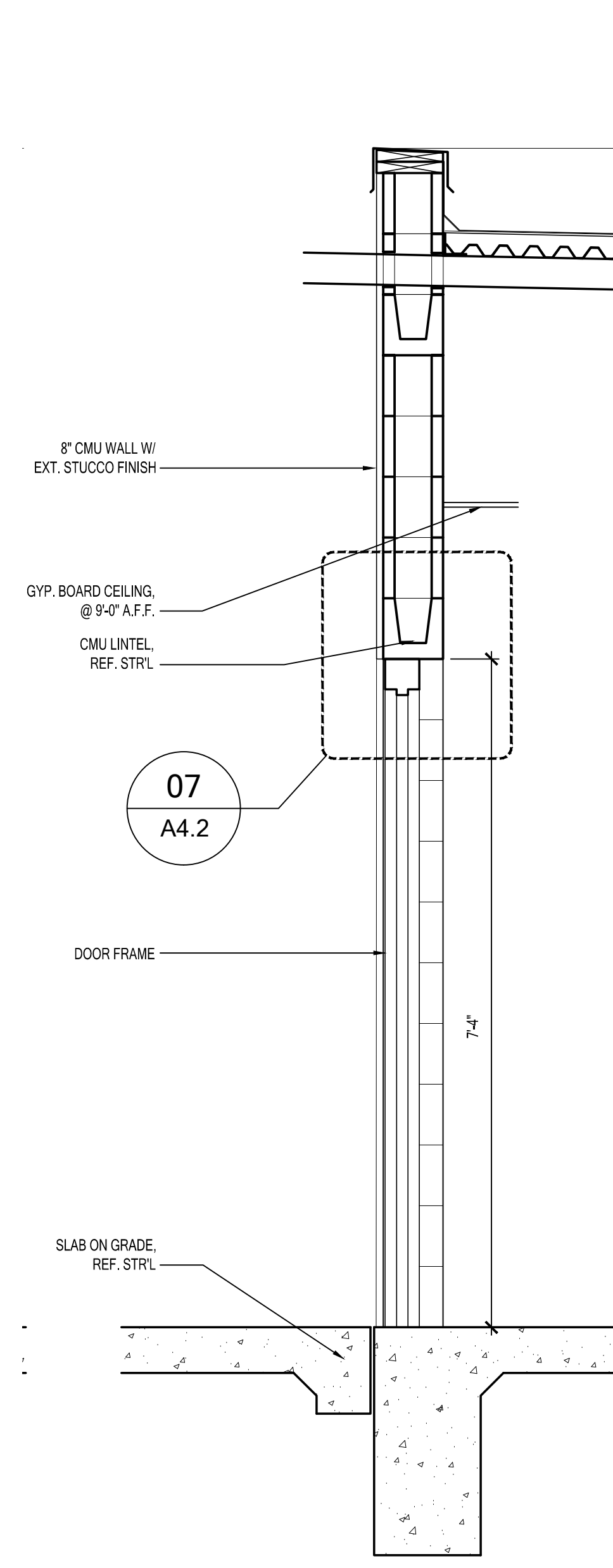
T/C  
 Drawn  
 Checked  
 Approved

**REVISIONS**

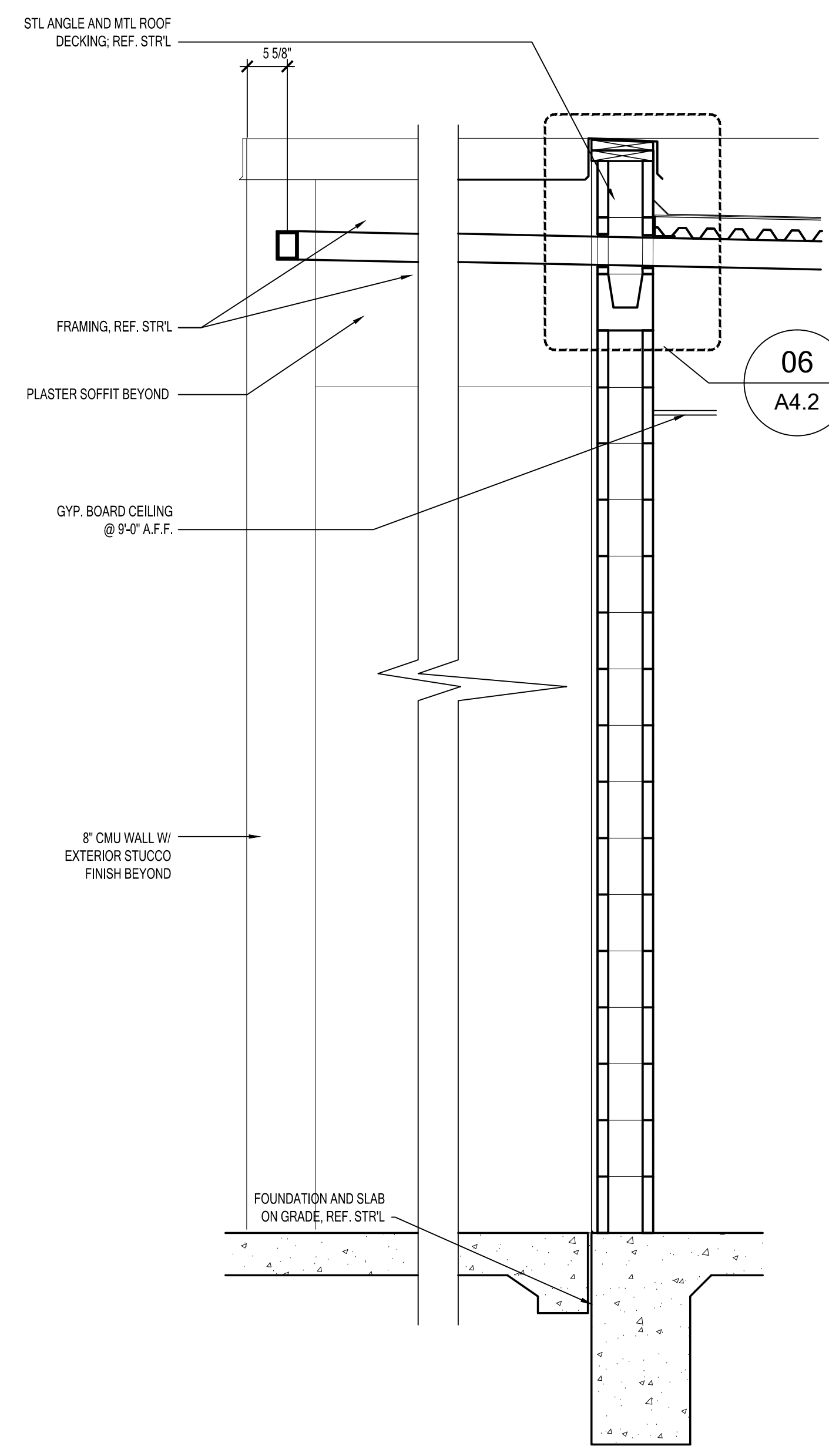
06.28.2012

**BUILDING AND  
 WALL SECTIONS**

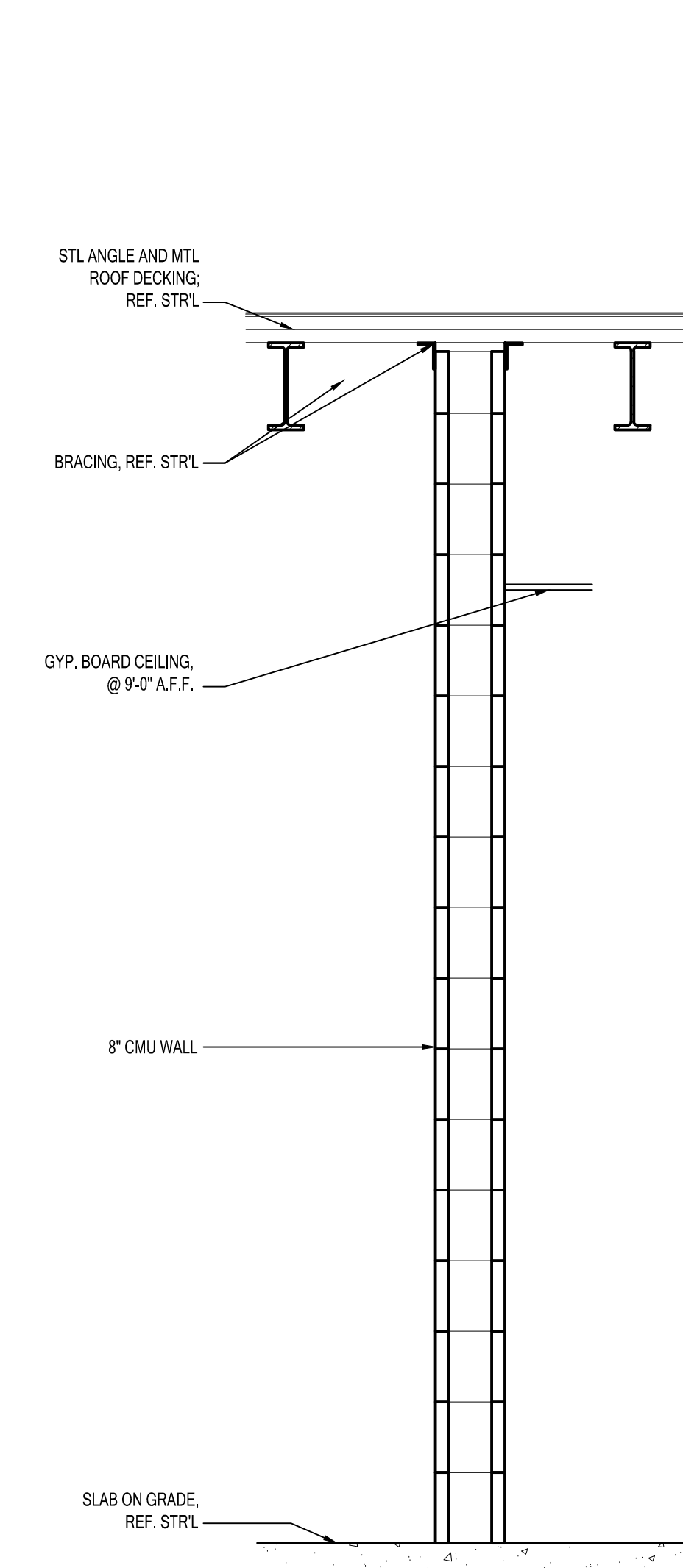
Project No. 10061.10  
 Date 06.28.12  
 Last Revision  
**A4.1**



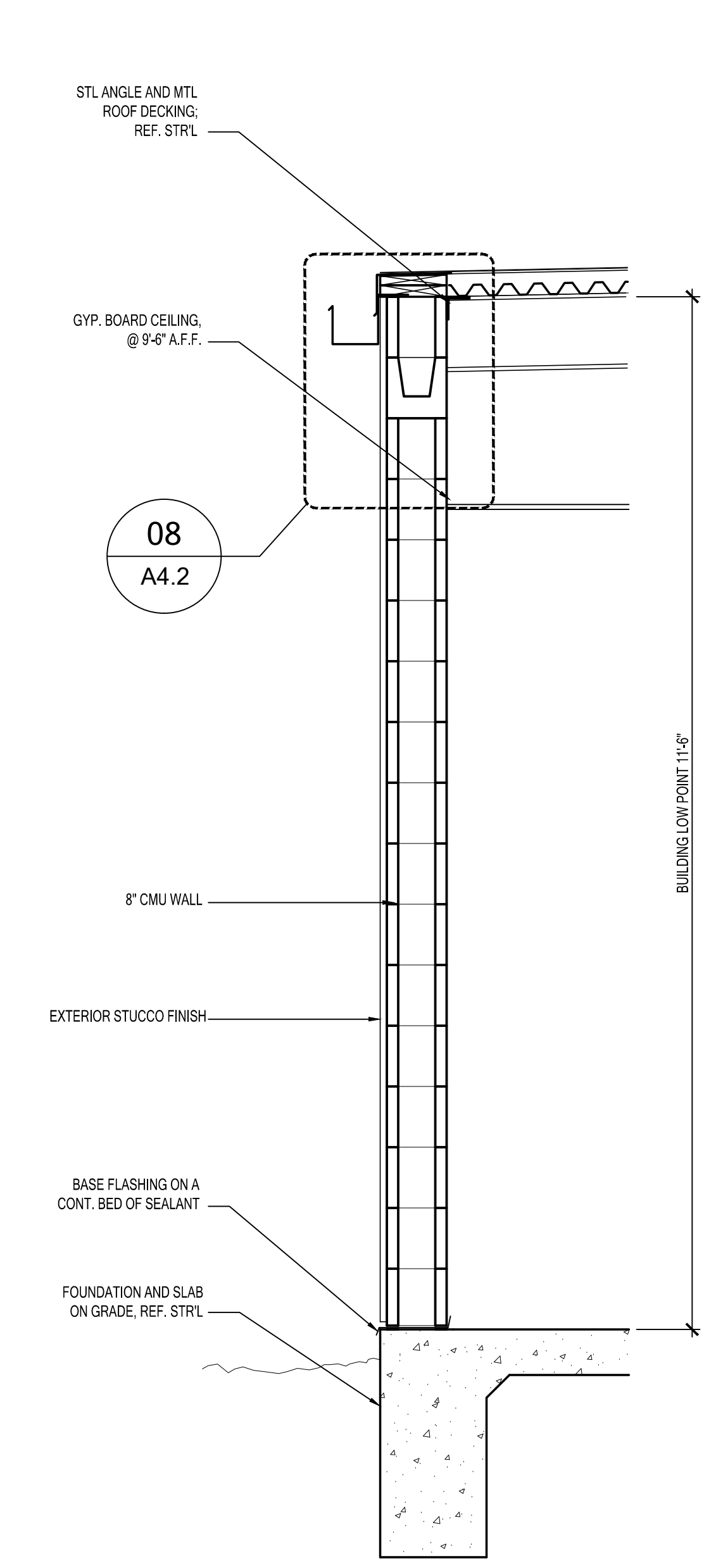
**07 WALL SECTION**  
 File Name: A4.1.dwg Scale: 3/4" = 1'-0"



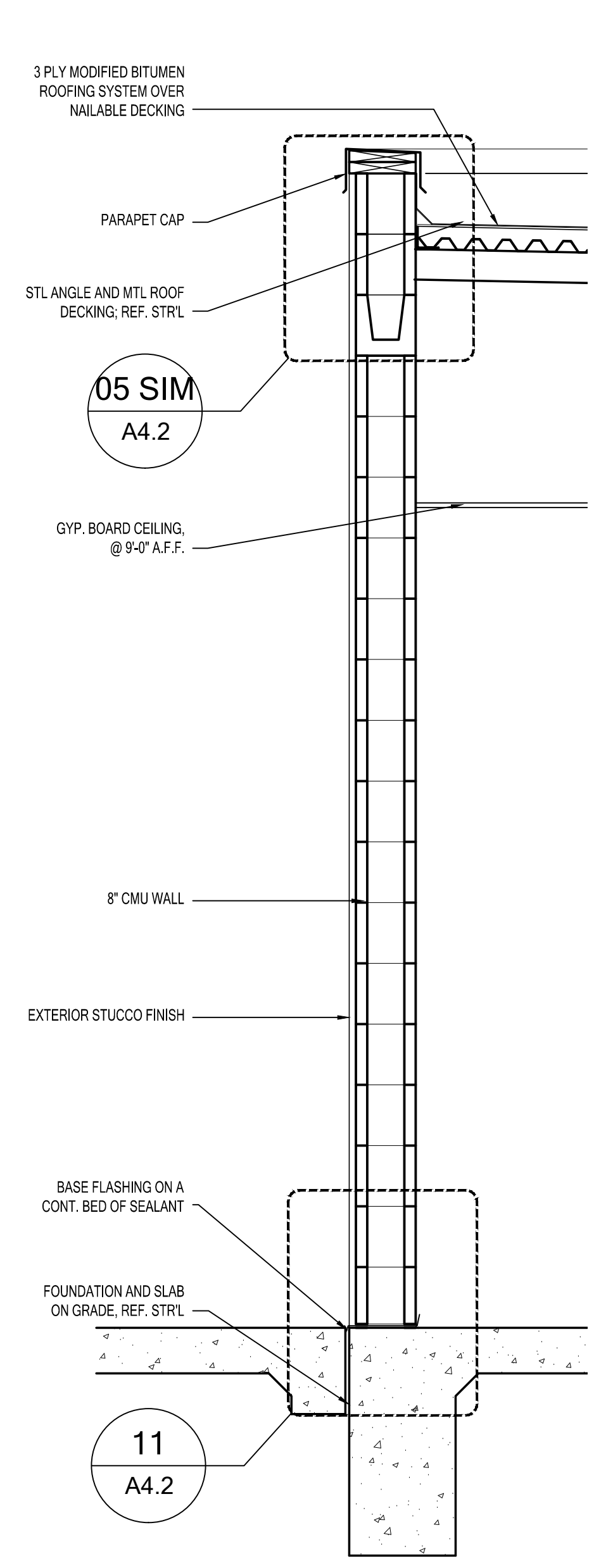
**06 WALL SECTION**  
 File Name: A4.1.dwg Scale: 3/4" = 1'-0"



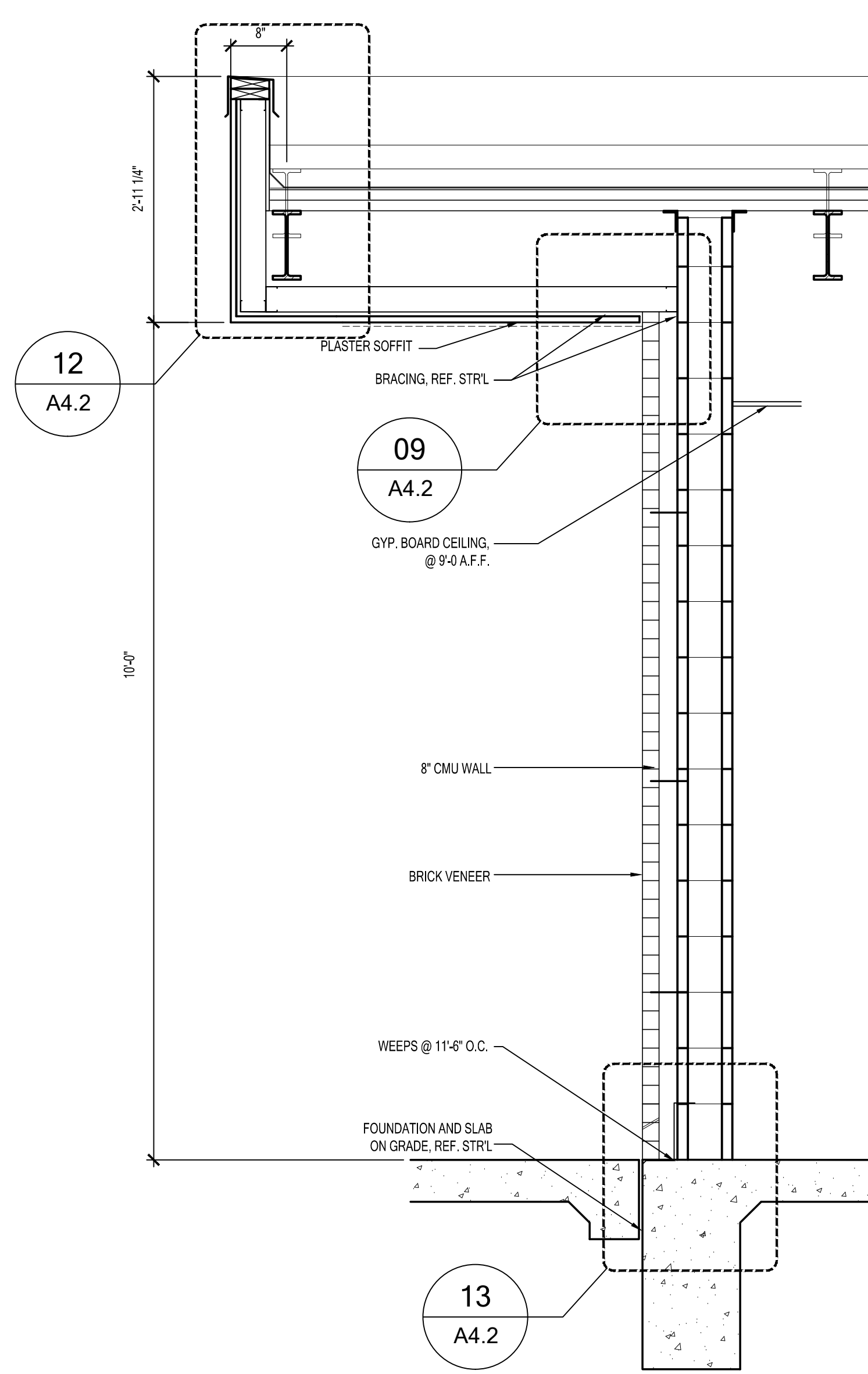
**05 WALL SECTION**  
 File Name: A4.1.dwg Scale: 3/4" = 1'-0"



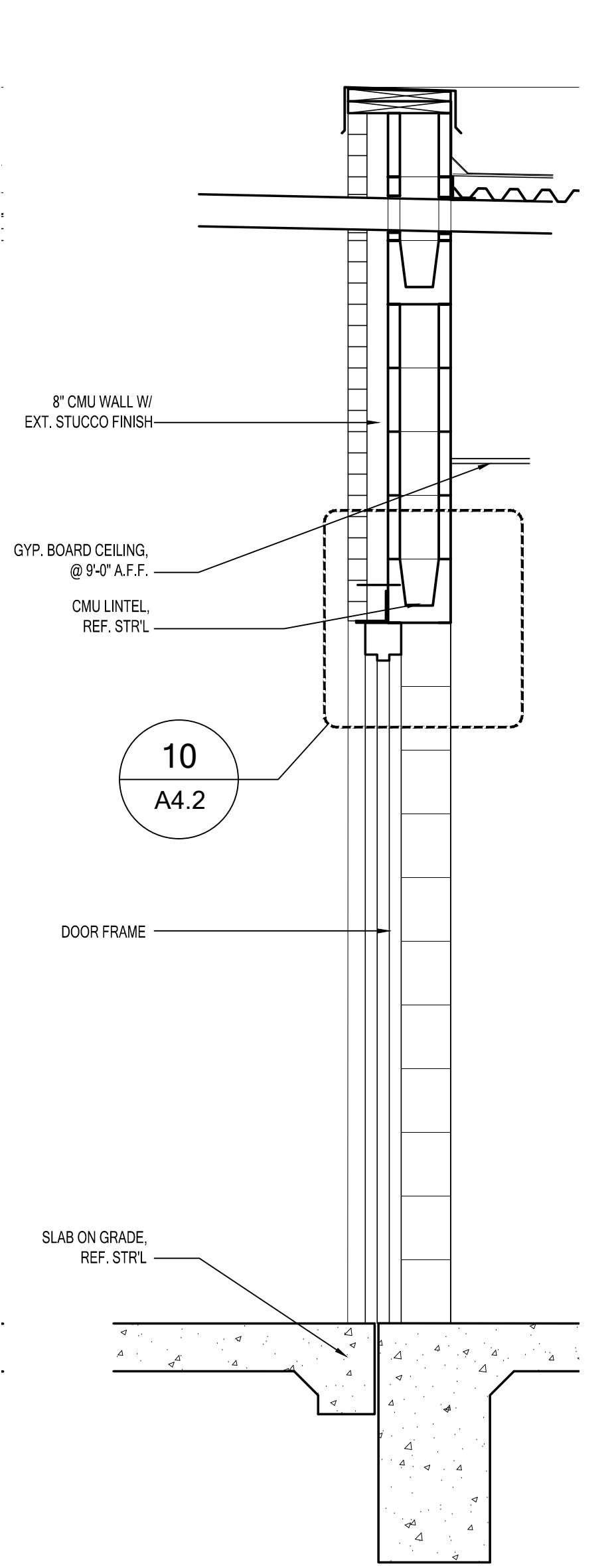
**04 WALL SECTION**  
 File Name: A4.1.dwg Scale: 3/4" = 1'-0"



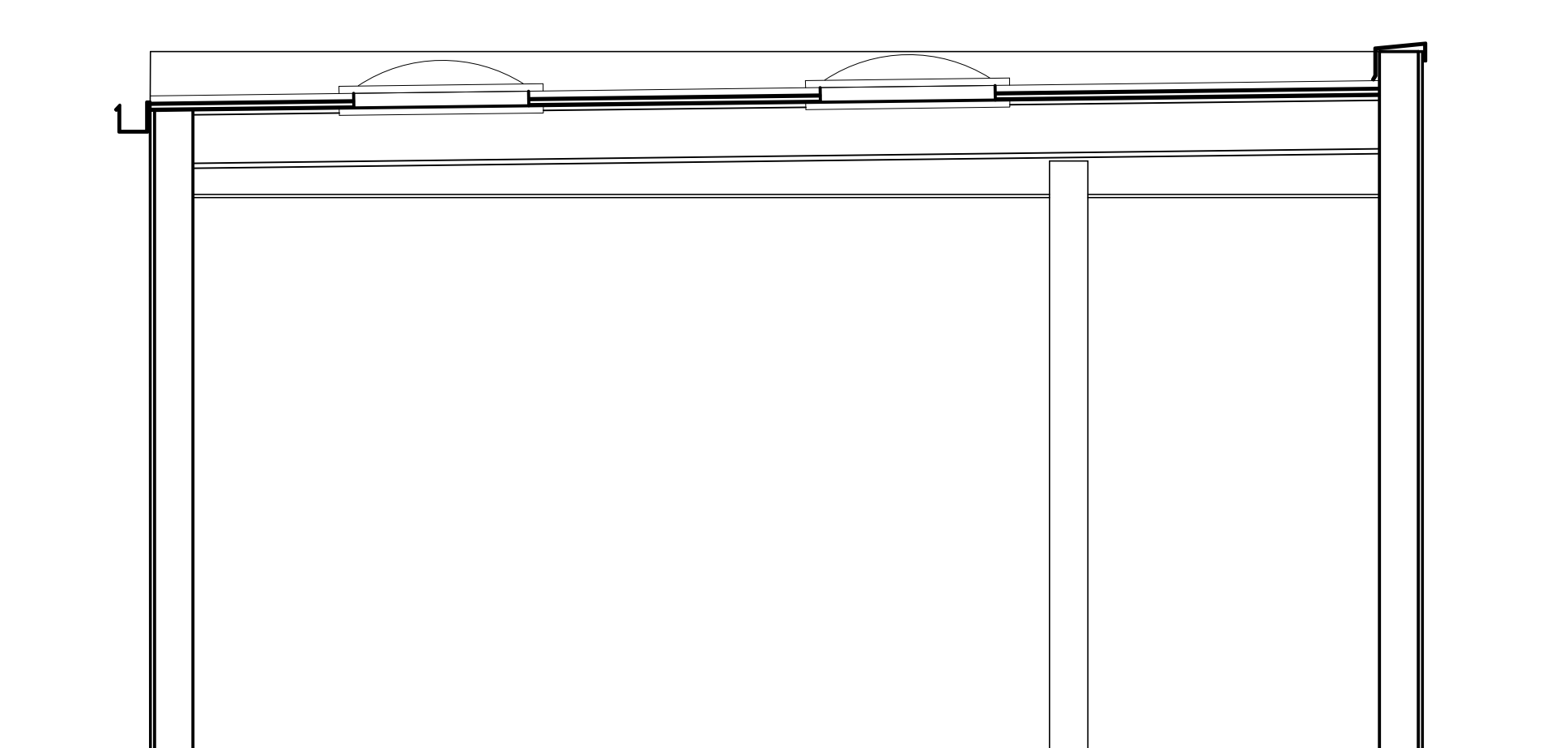
**03 WALL SECTION**  
 File Name: A4.1.dwg Scale: 3/4" = 1'-0"



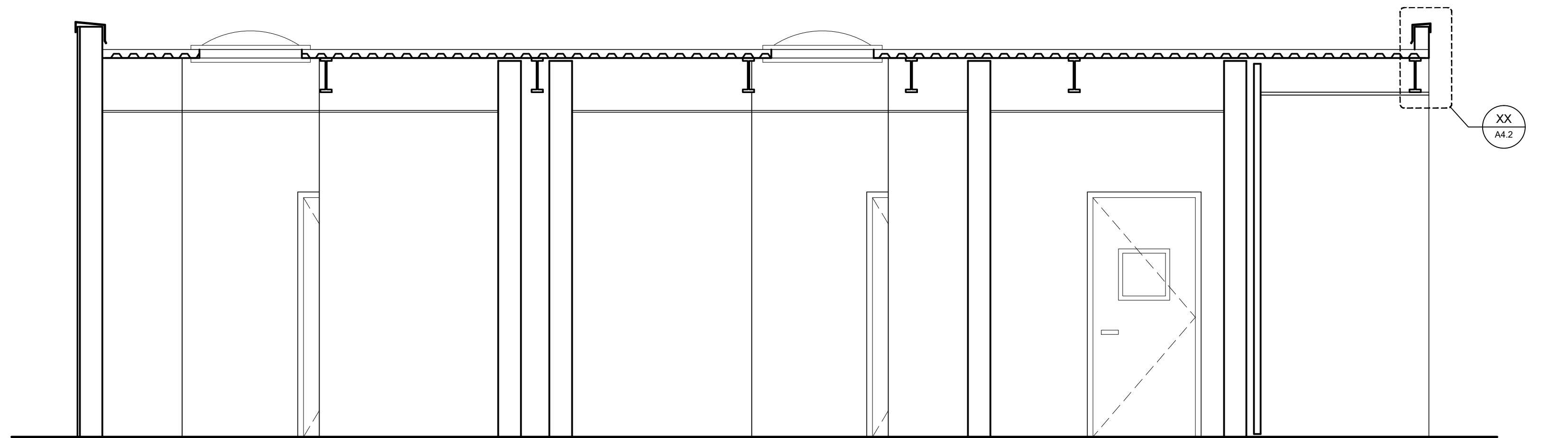
**10 WALL SECTION**  
 File Name: A4.1.dwg Scale: 3/4" = 1'-0"



**09 WALL SECTION**  
 File Name: A4.1.dwg Scale: 3/4" = 1'-0"



**02 BUILDING SECTION**  
 File Name: A4.1.dwg Scale: 3/8" = 1'-0"



**01 BUILDING SECTION**  
 File Name: A4.1.dwg Scale: 3/8" = 1'-0"