



**VITRUVIAN PARK:  
PARK TOILET BUILDING**  
VITRUVIAN WAY  
ADDISON, TX 75001


No.	Date	Item
-----	------	------

REVISIONS

SV Drawn  
PHS Checked  
PHS Approved  
*06/28/12*

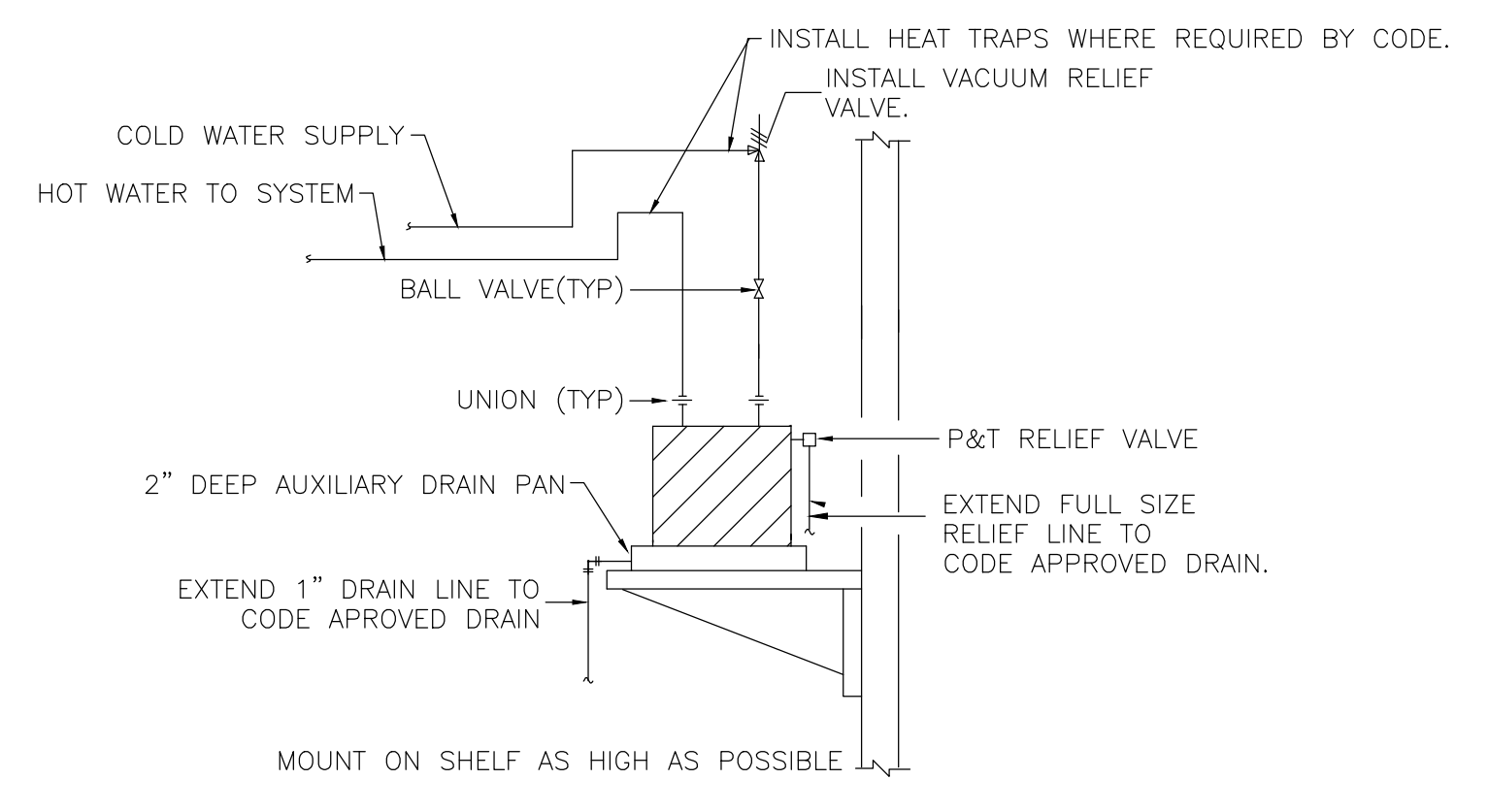
**SCHEDULE**

Project No. 8642-12  
Date 06.28.12  
Last Revision

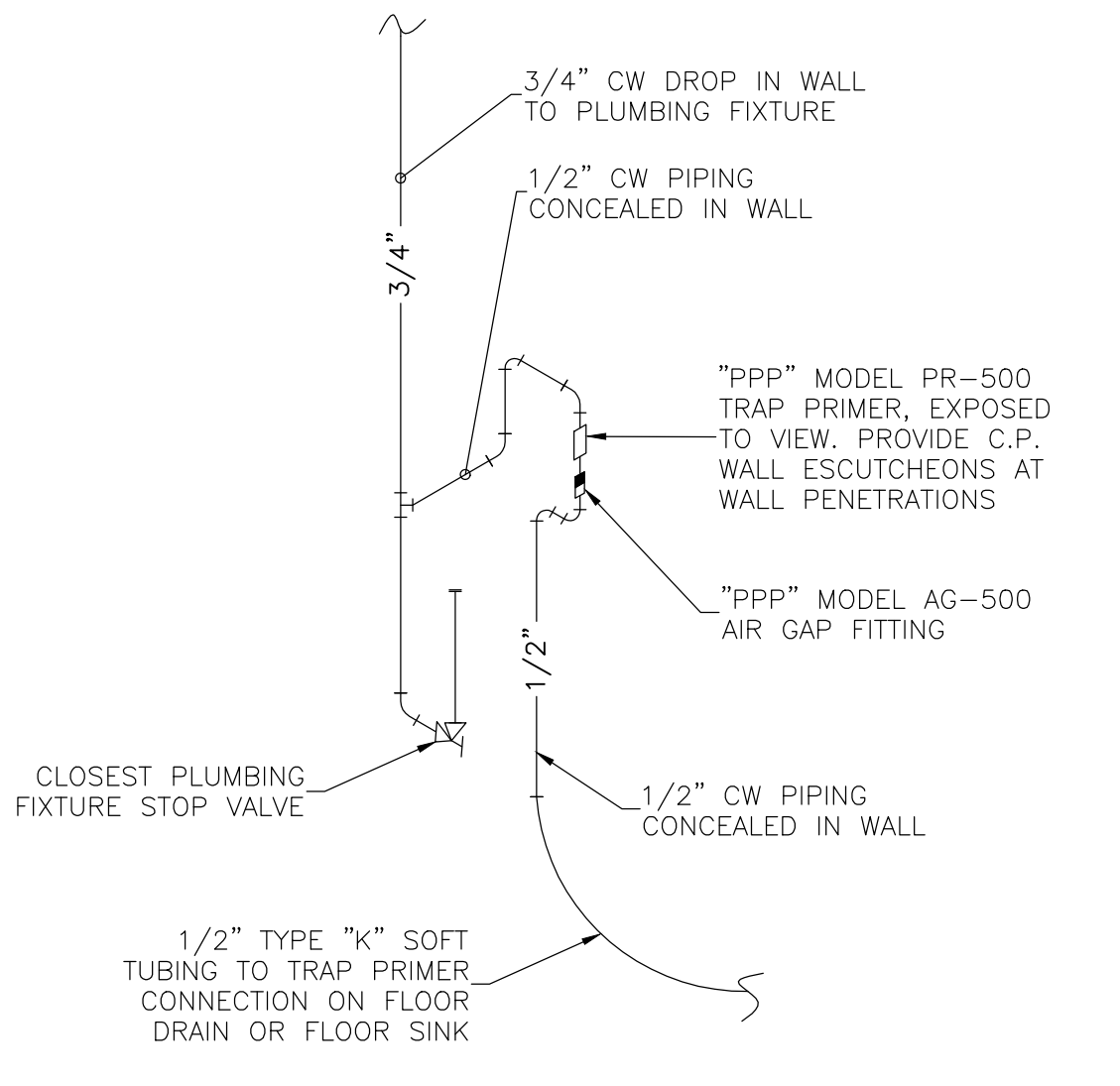
TAG	GALLONS	EF	HEATING ELEMENT			MANUFACTURER	MODEL	LOCATION
			KW	AMPS	VOLTS/PH/HZ			
WH-1	30	0.94	4.5	21.6	208/1/60	A.O.SMITH	M-2-30L6DS	RESTROOM BUILDING

REMARKS:  
1. WHEN WATER HEATER IS PROVIDED WITH HEAT TRAP NIPPLES HEAT TRAP IN WATER HEATER DETAIL IS NOT REQUIRED BY IECC.  
2. THE OUTLET TEMPERATURE OF THE RESTROOM LAVATORIES SHALL BE LIMITED TO 110°F.

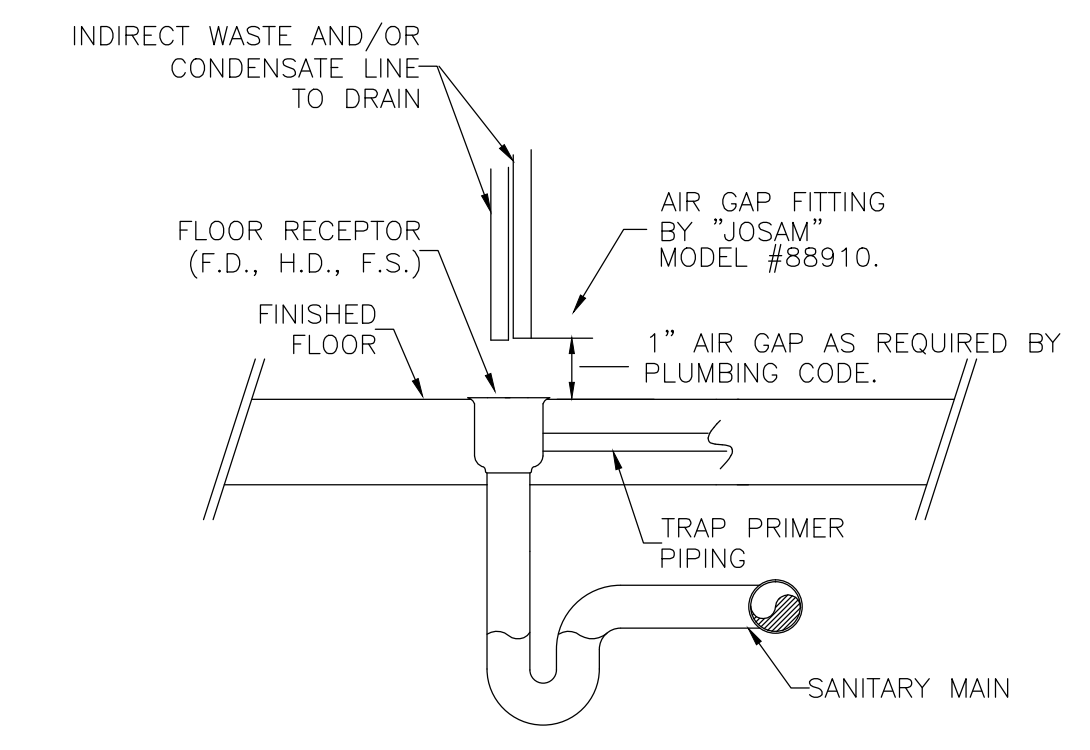
WC-A	WATER CLOSET SHALL BE VITREOUS CHINA, ELONGATED FLOOR-MOUNTED FLUSHOMETER VALVE TOILET, HIGH EFFICIENCY, LOW CONSUMPTION 1.28 GPF, EVERCLEAN SURFACE INHIBITS THE GROWTH OF STAIN AND ODOR, 1-1/2" INLET SPUD MODEL: AMERICAN STANDARD #3451.711 MADERA FLOWISE 1.28 GPF 15" HEIGHT TOP SPUD BOWL AND SELECTRONIC EXPOSED AC FLUSH VALVE MODEL #6067.121.002. COMMERCIAL SEATS MODEL: AMERICAN STANDARD MODEL #3451.001
WC-B	WATER CLOSET SHALL BE VITREOUS CHINA, ADA COMPLIANT 16-1/2" HIGH FROM FINISHED FLOOR, ELONGATED FLOOR-MOUNTED FLUSHOMETER VALVE TOILET, HIGH EFFICIENCY, LOW CONSUMPTION 1.28GPF, EVERCLEAN SURFACE INHIBITS THE GROWTH OF STAIN AND ODOR, 1-1/2" INLET SPUD MODEL: AMERICAN STANDARD #3043.712 MADERA FLOWISE 1.28 GPF 16-1/2" HEIGHT TOP SPUD BOWL AND SELECTRONIC EXPOSED AC FLUSH VALVE MODEL #6067.121.002. COMMERCIAL SEATS MODEL: AMERICAN STANDARD MODEL #3461.001
LAV-A	LAVATORY SINK, OVAL BOWL, OVERALL DIMENSION: 18" X 17 1/16", 5 13/18" DEEP LAVATORY WALL MOUNT STAINLESS STEEL SINK, ELKAY #ELV1817CS3 WITH 3 FAUCET HOLES FAUCET: ADA COMPLIANT 4" CENTERSET FAUCET FINISH CHROME TWO HANDLE METERING, HANDLE TYPE PUSH MODEL: GRAINGER ITEM # 3CB46, BRAND CHICAGO FAUCETS MFR. MODEL # 802-V665CP
LAV-B	LAVATORY SINK, OVAL BOWL, OVERALL DIMENSION: 18" X 17 1/16", 5 13/18" DEEP LAVATORY WALL MOUNT STAINLESS STEEL SINK, ELKAY #ELV1817CS3 WITH 3 FAUCET HOLES, ADA COMPLIANT INSTALLED 34" FROM FINISHED FLOOR FAUCET: ADA COMPLIANT 4" CENTERSET FAUCET FINISH CHROME TWO HANDLE METERING, HANDLE TYPE PUSH MODEL: GRAINGER ITEM # 3CB46, BRAND CHICAGO FAUCETS MFR. MODEL # 802-V665CP
NFHB	NON FREEZE WALL HYDRANT SHALL BE AUTOMATIC DRAINING, FREEZELESS WITH ANTI-SIPHON VACUUM BREAKER/BACKFLOW PREVENTER. HYDRANT TO BE KEY OPERATED, FIXTURE SHALL BE WOODFORD ANTI-SIPHON FREEZELESS WALL HYDRANT MODEL 65
FD	FLOOR DRAIN SHALL BE CAST IRON WITH MOUNTING FLANGE, INTEGRAL, REVERSIBLE CLAMPING COLLAR, SEEPAGE OPENINGS AND A 4-INCH BY 4-INCH STRAINER. STRAINER IS TO SATIN NICKEL BRONZE. FIXTURE TO BE WADE #W1103-G4.
UR	URINAL SHALL BE VITREOUS CHINA, HIGH-EFFICIENCY (0.5 GPF/1.0 LPF), FLUSHING RIM ELONGATED 14" RIM FROM FINISHED WALL, WASHOUT FLUSH ACTION, 2 WALL HANGER, URINAL SHALL BE 3/4" BACK SPUD MODEL: AMERICAN STANDARD, WASHBROOK MODEL #6515.005 W/ SELECTRONIC #6061.305.007 MULTI AC POWER, STAINLESS STEEL STRAINER #047068-0070A
MS	MOP SINK SHALL BE ONE PIECE WITH NO SEAMS. SHOULDERS WILL BE NO LESS THAN 1" WIDE AND 9-1/2" INSIDE. RECEPTOR WILL HAVE RIBBED UNDERBODY AND INTEGRAL DRAIN PROVIDING FOR A NO-CAULKED CONNECTION TO A 2" OR 3" OBS PIPE. DRAIN GRID WILL BE 18-GAUGE STAINLESS STEEL, FLAT TYPE #430. MODEL: FLORESTONE # MSR-2424 FAUCET: SERVICE SINK FAUCET WITH POLISHED CHROME FINISH, BUILT-IN STOPS, VACUUM BREAKER, LEVER HANDLES. MODEL: B-0655-BSTPR
TP	TRAP PRIMER PRECISION PLUMBING PRODUCTS "PRIME RITE" PPPI



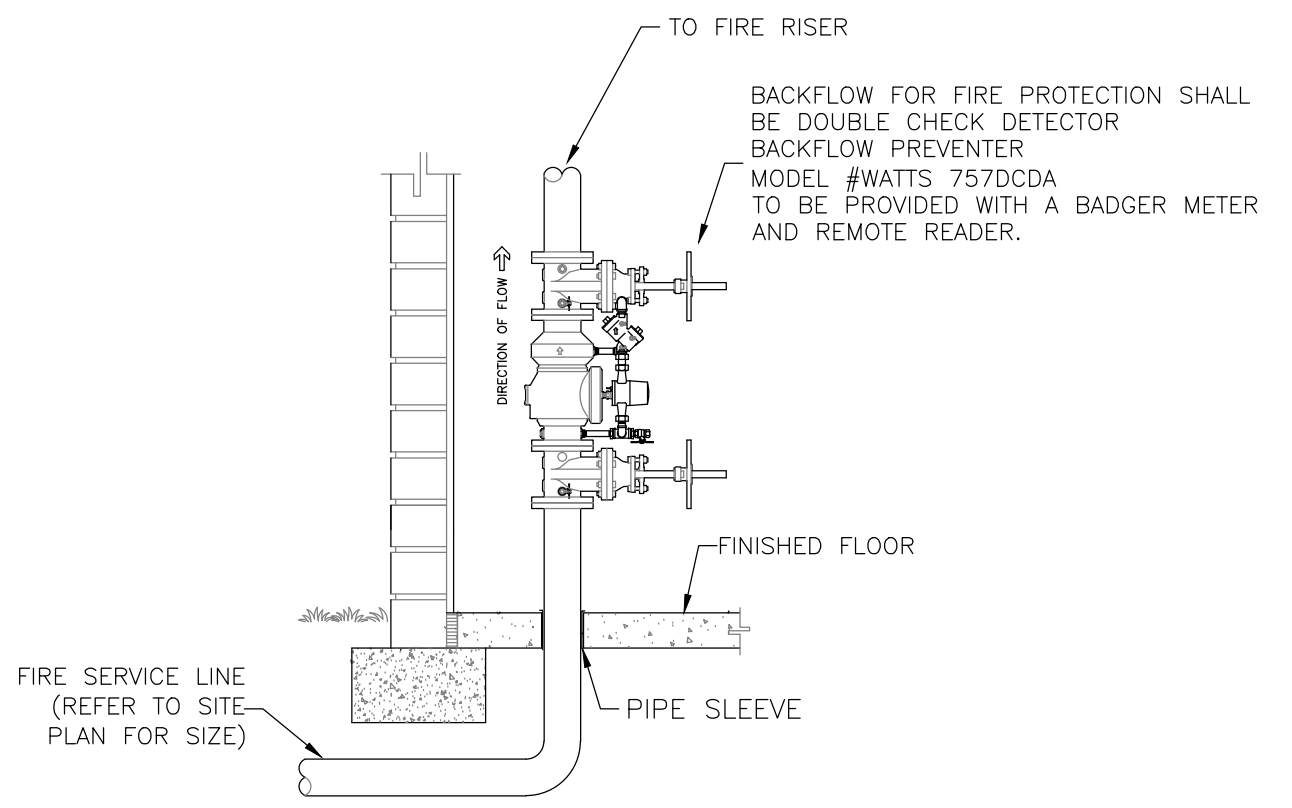
**5 LOW BOY WATER HEATER DETAIL**  
NOT TO SCALE



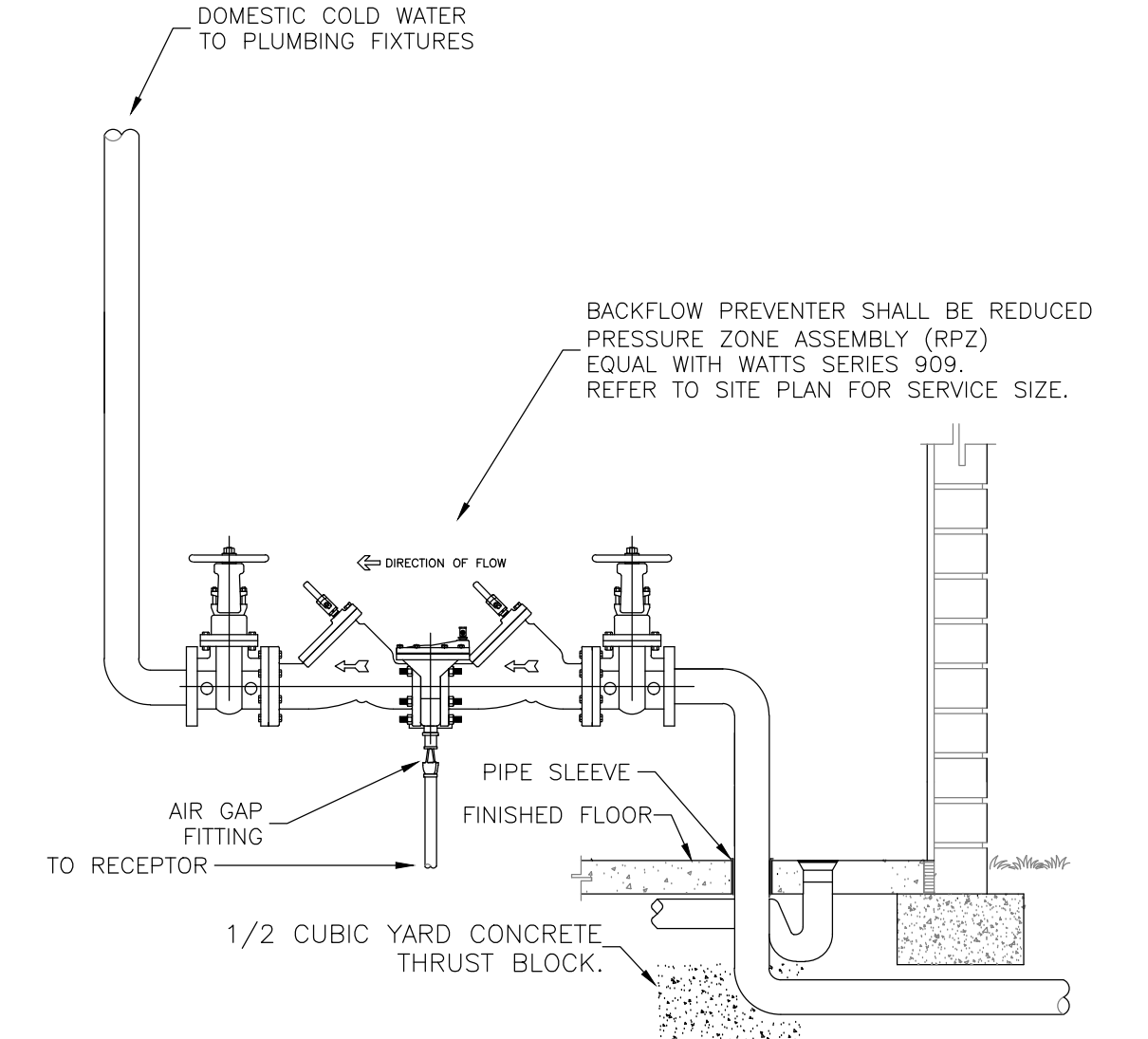
**4 FLOOR/HUB DRAIN TRAP PRIMER DETAIL**  
NOT TO SCALE



**3 AIR GAP DRAIN DETAIL**  
NOT TO SCALE



**2 FIRE SPRINKLER BACKFLOW PREVENTER**  
SCALE: N.T.S.



**1 WATER SERVICE REDUCED PRESSURE ZONE (RPZ) BACKFLOW PREVENTER**  
SCALE: N.T.S.

