

GOODMAN AVE.

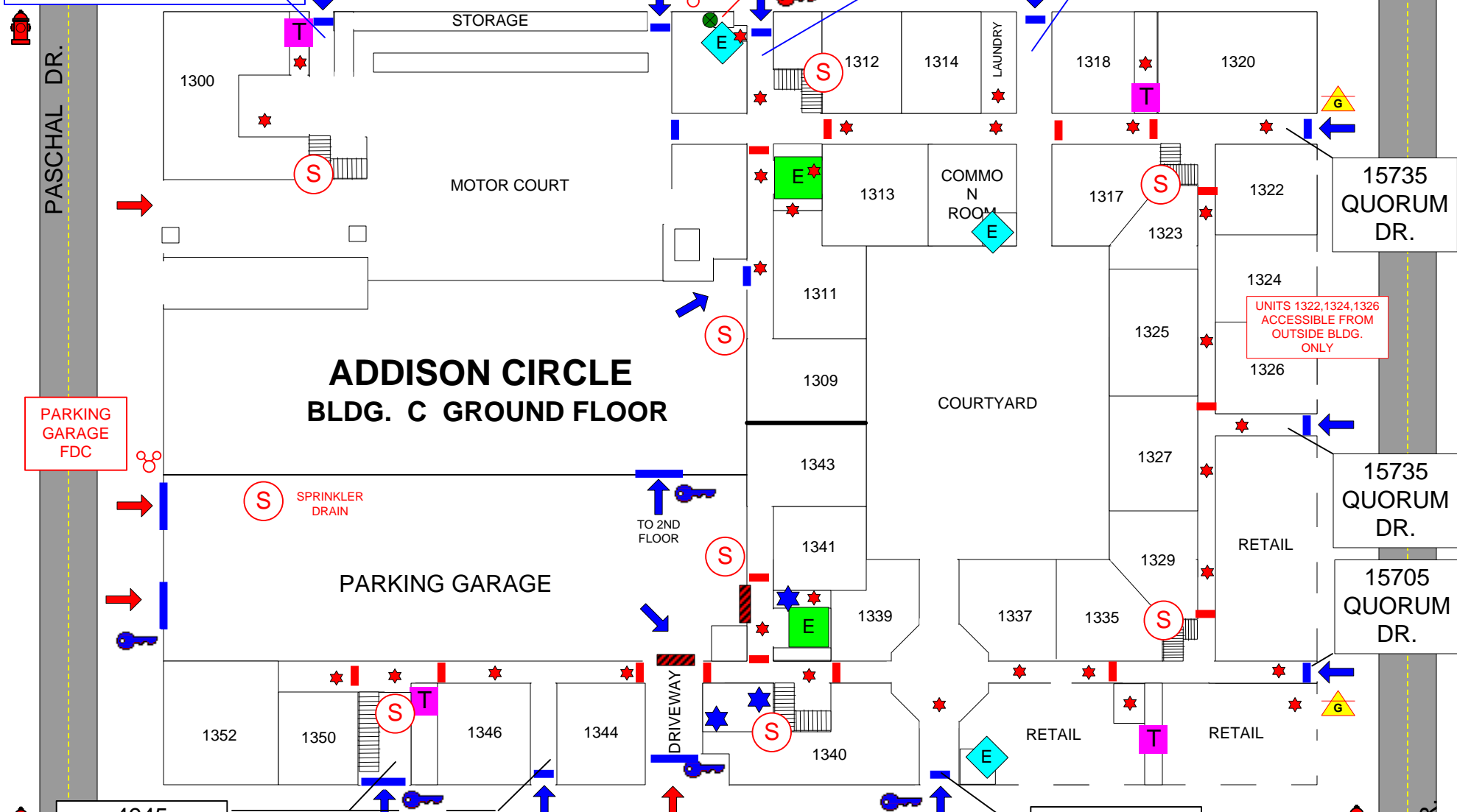
4940
GOODMAN AVE.

BLDG.
FDC

ALARM PANEL
&
SPRINKLER
RISER

4960
GOODMA
N AVE.

4980
GOODMA
N AVE.



**ADDISON CIRCLE
BLDG. C GROUND FLOOR**

PARKING
GARAGE
FDC

UNITS 1322,1324,1326
ACCESSIBLE FROM
OUTSIDE BLDG.
ONLY

FIRE ALARM PANEL	SPRINKLER RISER	FIRE HYDRANT	TRASH CHUTE	ELECTRONIC GATE	HEAT ACTIVATED FIRE DOOR
FIRE DEPT. CONNECTION	MAIN WATER SHUTOFF	STANDPIPE CONNECTION	SPRINKLER ISOLATION VALVE	FIRE DOOR	MAIN SPRINKLER SHUTOFF
KNOX SWITCH	ELECTRICAL MAIN	ELEVATOR	HEAT DETECTOR	ENTRANCE / EXIT	
KNOX BOX	GAS SHUTOFF VALVE	STAIRS	SMOKE DETECTOR	PARKING ENTRANCE / EXIT	

4945
MORRIS AVE.

4975
MORRIS AVE.

Addison!
FIRE DEPARTMENT
OPERATIONS DIVISION
DRAWING BY:
RAY YAGER



QUORUM DR.