

ORDINANCE NO. 090-037

AN ORDINANCE OF THE TOWN OF ADDISON, TEXAS, AMENDING THE SIGN ORDINANCE OF THE TOWN OF ADDISON, TEXAS, SO AS TO GRANT A MERITORIOUS EXCEPTION TO THE CITY'S SIGN ORDINANCE TO ALLOW A NON-STANDARD POLE SIGN, ON APPLICATION WITH SWIF-T CONVENIENCE STORE, LOCATED AT 16601 ADDISON ROAD, PROVIDING FOR A REPEAL CLAUSE; PROVIDING FOR A PENALTY CLAUSE; AND PROVIDING FOR A SEVERABILITY CLAUSE.

BE IT ORDAINED BY THE CITY COUNCIL OF THE TOWN OF ADDISON, TEXAS:

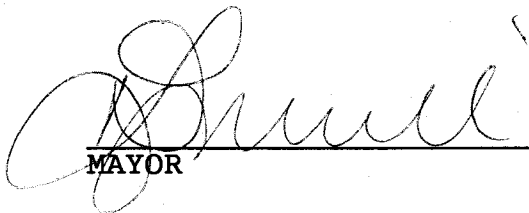
SECTION 1. In accordance with Section 8 of the Sign Ordinance a meritorious exception is hereby granted to Swif-T Convenience Store, located at 16601 Addison Road, to allow a non-standard pole sign, in accordance with the drawings attached hereto and made a part hereof for all purposes.

SECTION 2. That all ordinances of the City in conflict with the provisions of this ordinance be, and the same are hereby repealed and all other ordinances of the City not in conflict with the provisions of this ordinance shall remain in full force and effect.


SECTION 3. That any person, firm, or corporation violating any of the provisions or terms of this ordinance shall be subject to a fine not to exceed the sum of Two Hundred Dollars (\$200.00) for each offense and that each day such violation shall continue to exist shall constitute a separate offense.

SECTION 4. That should any paragraph, sentence, subdivision, clause, phrase or section of this ordinance be adjudged or held to be unconstitutional, illegal or invalid, the same shall not affect the validity of this ordinance as a whole or any part or provisions thereof other than the part so decided to be invalid, illegal or unconstitutional, and shall not affect the validity of this ordinance as a whole.

DULY PASSED BY THE CITY COUNCIL OF THE TOWN OF ADDISON, TEXAS, on this the 24th day of July, 1990.

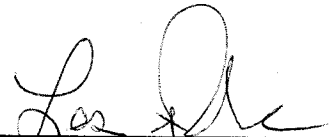
  
MAYOR

ATTEST:

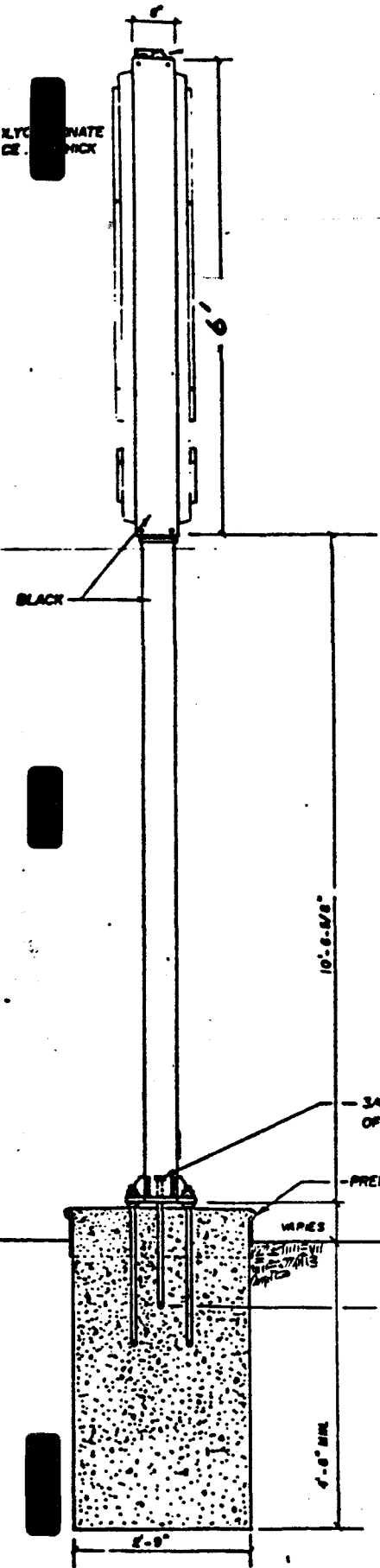
  
CITY SECRETARY

CASE NO. ME #64

APPROVED AS TO FORM:

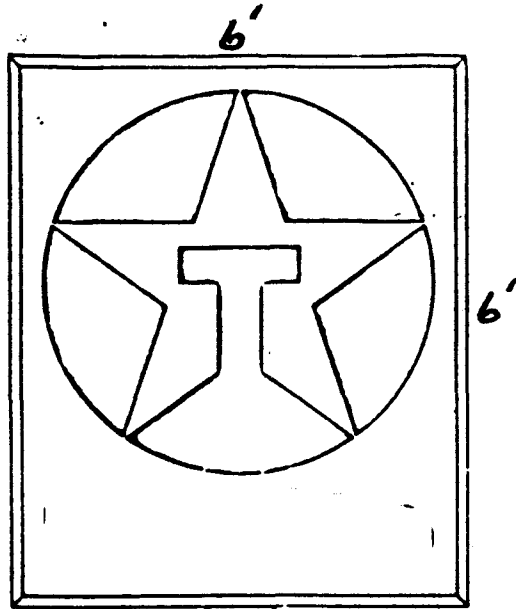
  
CODE INSPECTOR

Published 9-27-90

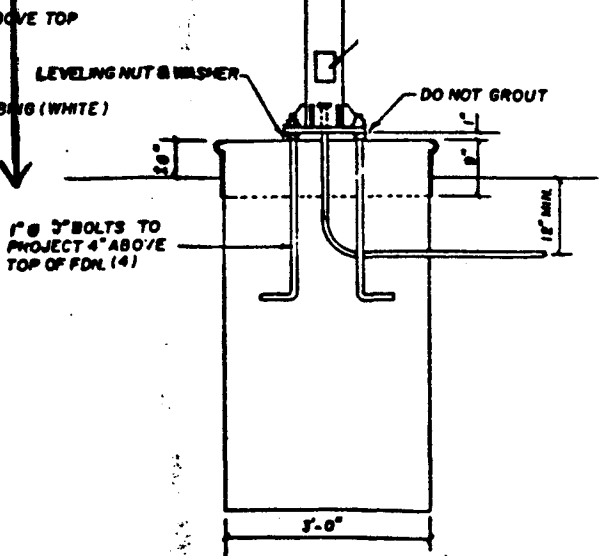


SIDE VIEW  
SCALE: 3/4" = 1'-0"

20' OVERALL HT.



ELEVATION (SIGN FACE)  
SCALE: 3/4" = 1'-0"



APPROVED

SWIFT  
CONVENIENCE  
STORE

26'

PROPOSED 36 SQ. FT.  
TEXACO LOGO SIGN,  
20 FT. TALL

CANOPY  
OVER  
PUMPS

16601 ADDISON RD.