

ORDINANCE NO. 091-069

AN ORDINANCE OF THE TOWN OF ADDISON, TEXAS, AMENDING CHAPTER 14, SIGNS, OF THE CODE OF ORDINANCES, SO AS TO GRANT A MERITORIOUS EXCEPTION TO THE CITY'S SIGN ORDINANCE TO ALLOW A NON-CONFORMING POLE SIGN, ON APPLICATION WITH CORNERSTONE FUEL, LOCATED AT ROSCOE TURNER DRIVE ON ADDISON AIRPORT, PROVIDING FOR A REPEAL CLAUSE; PROVIDING FOR A PENALTY CLAUSE; AND PROVIDING FOR A SEVERABILITY CLAUSE.

BE IT ORDAINED BY THE CITY COUNCIL OF THE TOWN OF ADDISON, TEXAS:

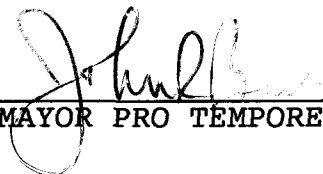
SECTION 1. In accordance with Section 14-118 of the Sign Ordinance a meritorious exception is hereby granted to Cornerstone Fuel, located on Roscoe Turner Drive at Addison Airport, to allow a non-conforming pole sign, in accordance with the drawings attached hereto and made a part hereof for all purposes.

SECTION 2. That all ordinances of the City in conflict with the provisions of this ordinance be, and the same are hereby repealed and all other ordinances of the City not in conflict with the provisions of this ordinance shall remain in full force and effect.

SECTION 3. That any person, firm, or corporation violating any of the provisions or terms of this ordinance shall be subject to a fine not to exceed the sum of Two Hundred Dollars (\$200.00) for each offense and that each day such violation shall continue to exist shall constitute a separate offense.

SECTION 4. That should any paragraph, sentence, subdivision, clause, phrase or section of this ordinance be adjudged or held to be unconstitutional, illegal or invalid, the same shall not affect the validity of this ordinance as a whole or any part or provisions thereof other than the part so decided to be invalid, illegal or unconstitutional, and shall not affect the validity of this ordinance as a whole.

DULY PASSED BY THE CITY COUNCIL OF THE TOWN OF ADDISON, TEXAS, on this the 14th day of December, 1991.


MAYOR PRO TEMPORE

ATTEST:

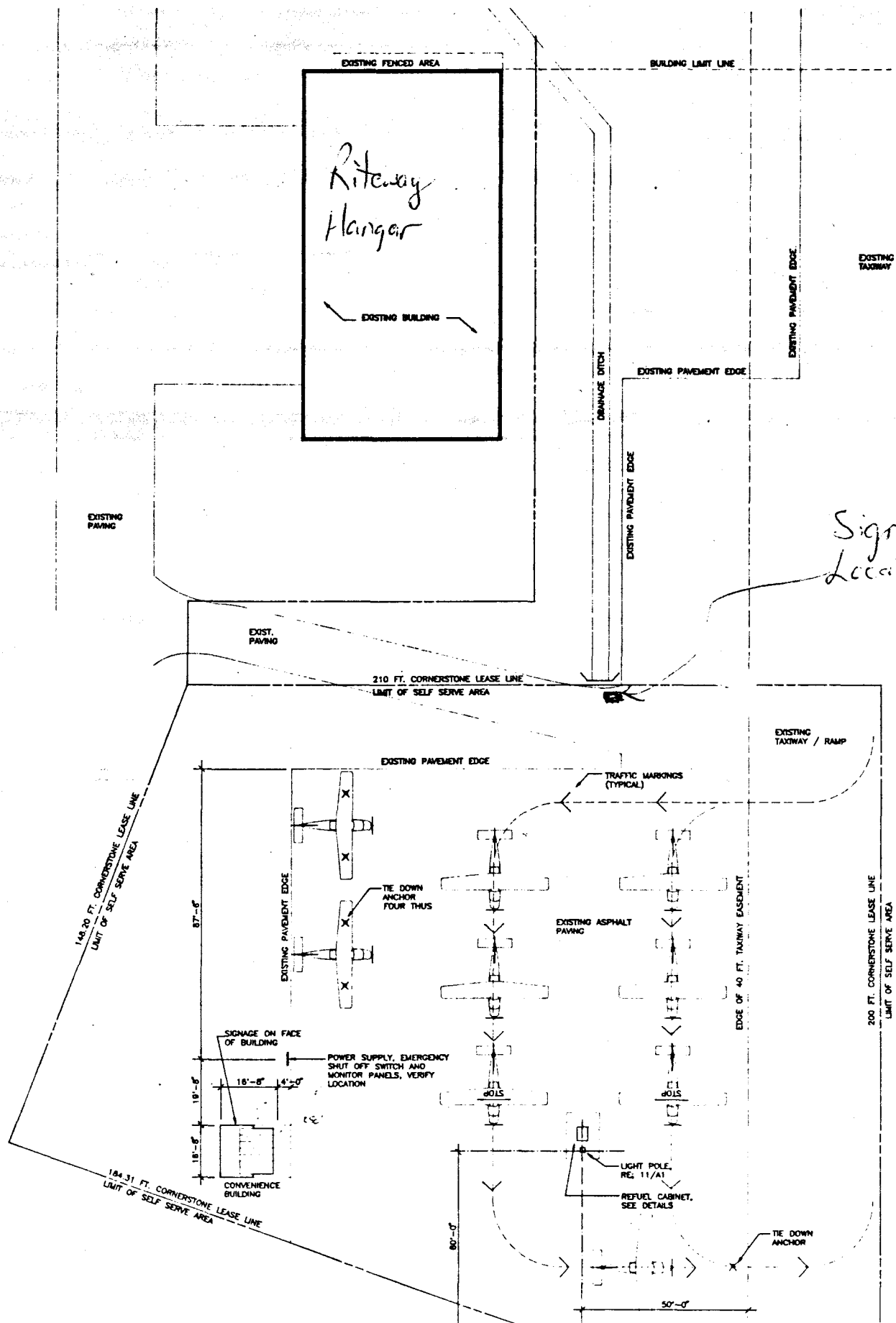

CITY SECRETARY

CASE NO. ME #80

APPROVED AS TO FORM:


CODE INSPECTOR

Published
1-9-92

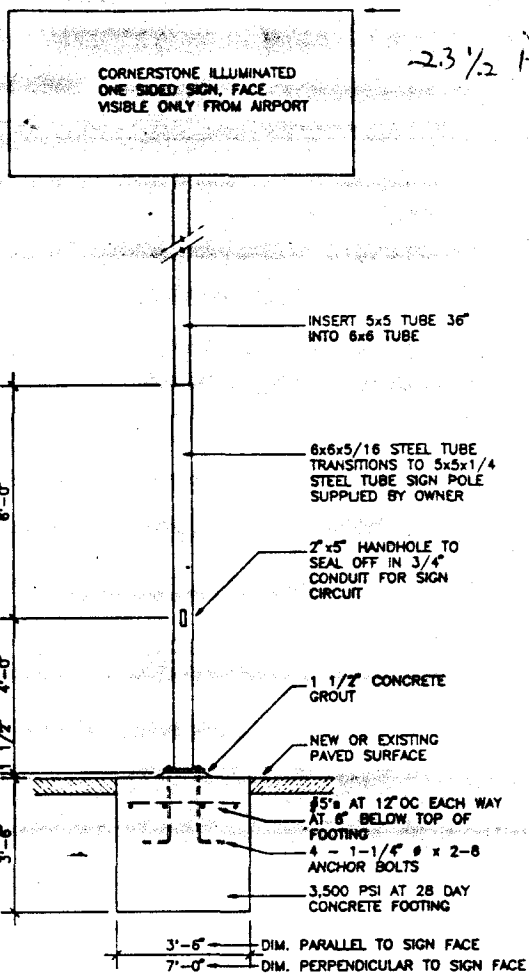


Riteway Hangar

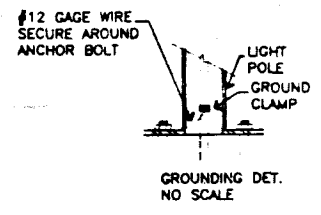
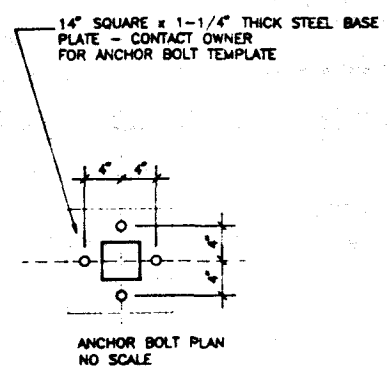
Sign Location



x. letter
 7ft is 18"



23 1/2 feet High



NOTE:
 ALL MATERIALS AND EQUIPMENT FURNISHED BY OWNER EXCEPT CONCRETE AND BAR REINFORCING.
 POLE, BASE PLATE, ANCHOR BOLTS AND FOOTING DESIGNED FOR 27.3 PSF WIND AND 1300 PSF MINIMUM SOIL BEARING CAPACITY.