

ORDINANCE NO. 000- 023

AN ORDINANCE OF THE TOWN OF ADDISON, TEXAS, AMENDING CHAPTER 14, SIGNS, OF THE CODE OF ORDINANCES, SO AS TO GRANT A MERITORIOUS EXCEPTION TO THE CITY'S SIGN ORDINANCE TO ALLOW AN ATTACHED SIGN WITH LETTER HEIGHT LARGER THAN ALLOWED BY ORDINANCE, ON APPLICATION WITH DALLISON'S HALLMARK, LOCATED AT 14312 MARSH LANE, PROVIDING FOR A REPEAL CLAUSE; PROVIDING FOR A PENALTY CLAUSE; AND PROVIDING FOR A SEVERABILITY CLAUSE.

BE IT ORDAINED BY THE CITY COUNCIL OF THE TOWN OF ADDISON, TEXAS:

SECTION 1. In accordance with Chapter 62, Section 62-184 of the Sign Ordinance a meritorious exception is hereby granted to a sign located at 14312 Marsh Lane, to allow an attached sign with one letter that is 36-inches in height, in accordance with the drawings attached hereto and made a part hereof for all purposes.

SECTION 2. That all ordinances of the City in conflict with the provisions of this ordinance be, and the same are hereby repealed and all other ordinances of the City not in conflict with the provisions of this ordinance shall remain in full force and effect.

SECTION 3. That any person, firm, or corporation violating any of the provisions or terms of this ordinance shall be subject to a fine not to exceed the sum of Two Hundred Dollars (\$200.00) for each offense and that each day such violation shall continue to exist shall constitute a separate offense.


SECTION 4. That should any paragraph, sentence, subdivision, clause, phrase or section of this ordinance be adjudged or held to be unconstitutional, illegal or invalid, the same shall not affect the validity of this ordinance as a whole or any part or provisions thereof other than the part so decided to be invalid, illegal or unconstitutional, and shall not affect the validity of this ordinance as a whole.

DULY PASSED BY THE CITY COUNCIL OF THE TOWN OF ADDISON,
TEXAS, on this the 13th day of June, 2000.



MAYOR

ATTEST:



CITY SECRETARY

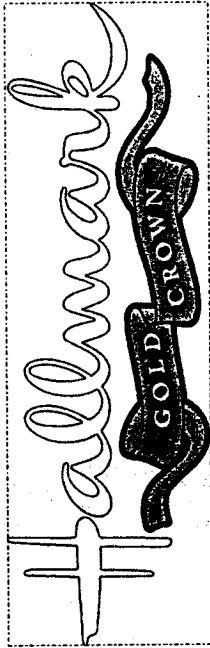
CASE NO. ME2000-05

APPROVED AS TO FORM:



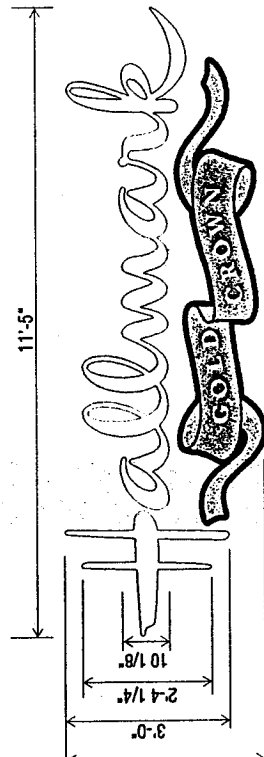
BUILDING OFFICIAL

PUBLISHED ON: _____



41.5 SQ. FT.

LETTERS
 HALLMARK "GOLD" PLEX FACES
 PLASTIC TRIMCAP TO MATCH RETURNS
 5" DEEP, BLACK PREPAINTED ALUMINUM RETURNS
 ILLUMINATION: 15 MM WHITE NEON TUBING
 POWERED BY REMOTE 30 M.A. TRANSFORMERS
BANNERS
 WHITE PLEX FACES W/ RED VINYL FACE.
 BANNER - HALLMARK RED TRANSLUCENT VINYL W/ COPY
 REVERSED OUT TO SHOW AS WHITE.
 BLACK OUTLINE AROUND BANNER - BLACK TRANSLUCENT VINYL
 PLASTIC TRIMCAP TO MATCH RETURN
 5" DEEP BLACK PREPAINTED ALUMINUM RETURNS
 ILLUMINATION: 15 MM WHITE NEON TUBING
 POWERED BY REMOTE 30 M.A. TRANSFORMERS

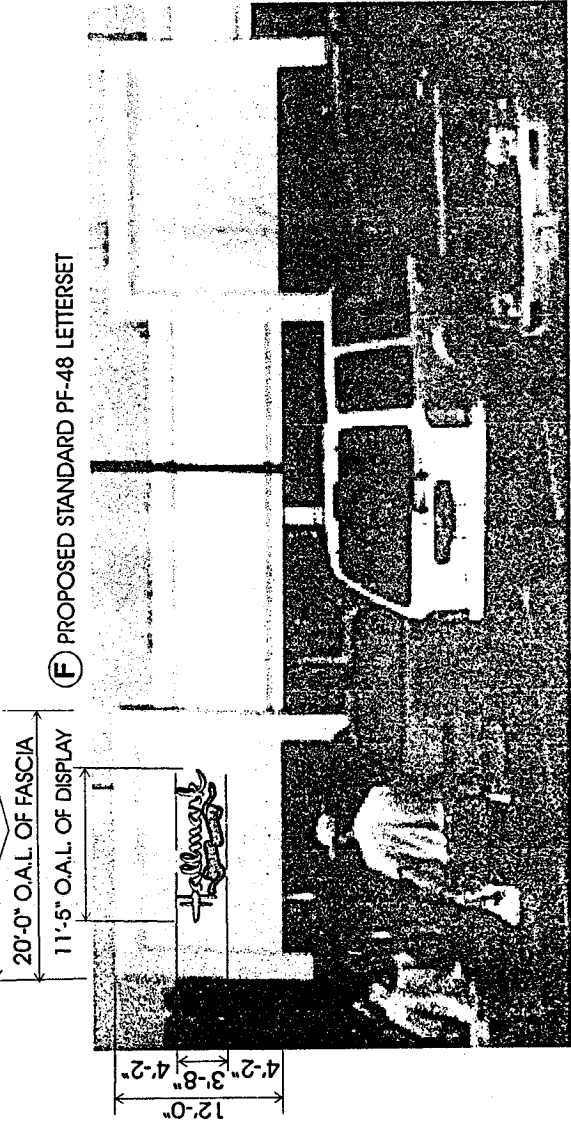


STANDARD PF-36 LETTERSET

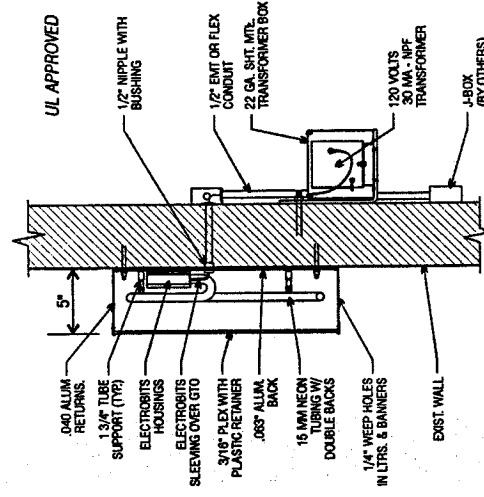
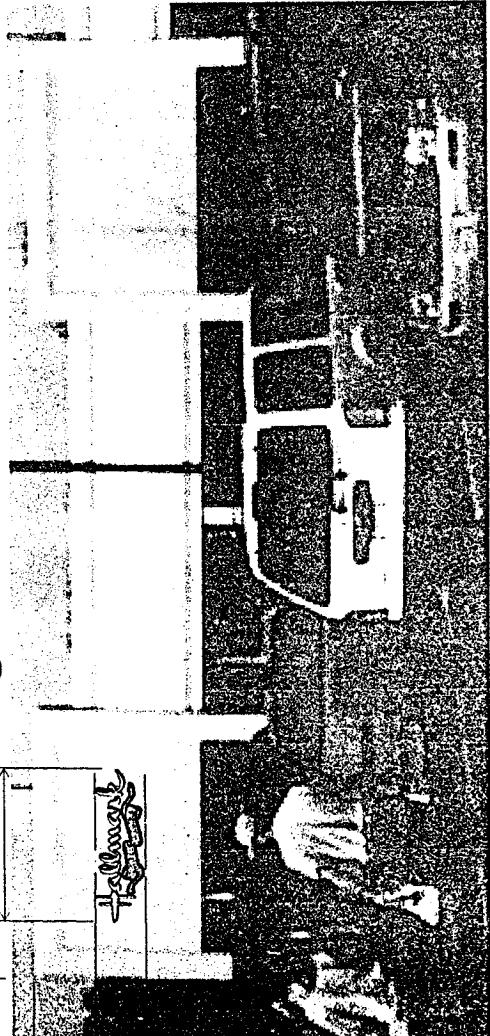
F INT-ILLUMINATED PLEX FACE CHANNEL LETTERSET - MAKE ONE (1)

FAB. & INSTALL ONE (1) 36" SET OF INTER. ILLUM. PLEX FACE HALLMARK "GOLD CROWN" TRADEMARK.
 *NOTE: CENTER THIS DISPLAY BOTH VERTICALLY AS WELL AS HORIZONTALLY ON THE FASCIA (AS INDICATED).

85'-0" O.A.L. OF FRONTAGE



F PROPOSED STANDARD PF-48 LETTERSET

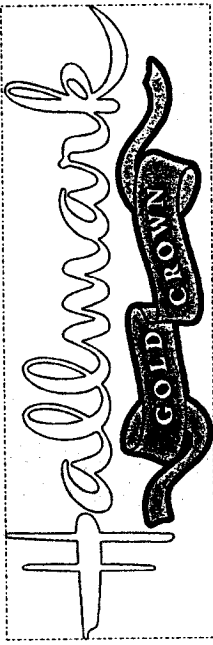
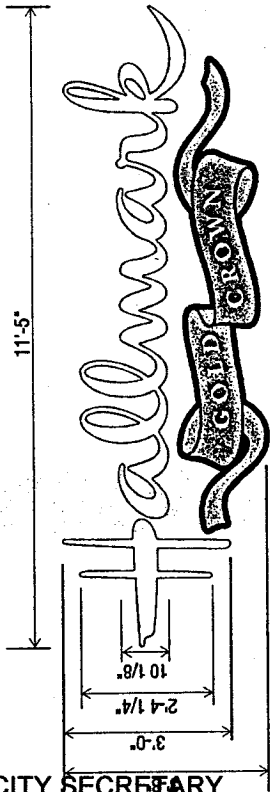


TYPICAL LETTER SECTION/DETAIL

PER FEDERAL MANUFACTURING STANDARDS - CAT #FSS207
 W/ ELECTROBITS HOUSINGS SUBSTITUTED FOR DOUBLE-BACKS.

- NOTES:**
- 1- ALL SEAMS TO BE PLACED FOR MIN. VISIBILITY WELDED AND CAULKED
 - 2- INSTALLATION TO CONFORM WITH SECTION 600 OF NEC.

HALLMARK PAM'S HALLMARK / #15028 BROOKHAVEN VILLAGE S.C.	ADDRESS: 14312 MARSH LANE / ADDISON, TX. ACCT. REP: E. MCGILL DESIGNER: AL BLANCHARD SCALE: 3/8" & 1/16" = 1'-0" DATE: 4-5-00		DWG. NO. 00165HM R1 FILE NO.: Hm00165 SHEET: 8 OF 8	REV. BY DATE DESCRIPTION
	FEDERAL SIGN Division Federal Signal Corporation			

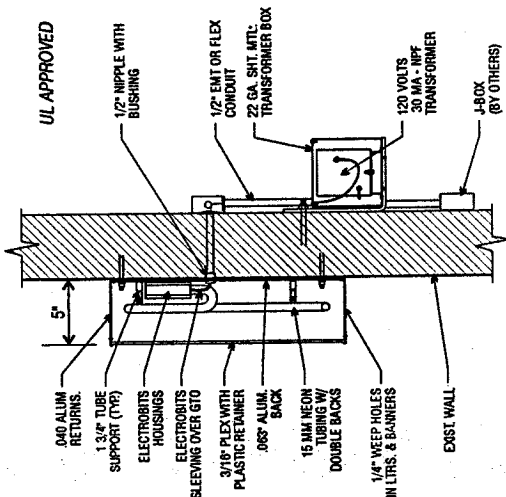
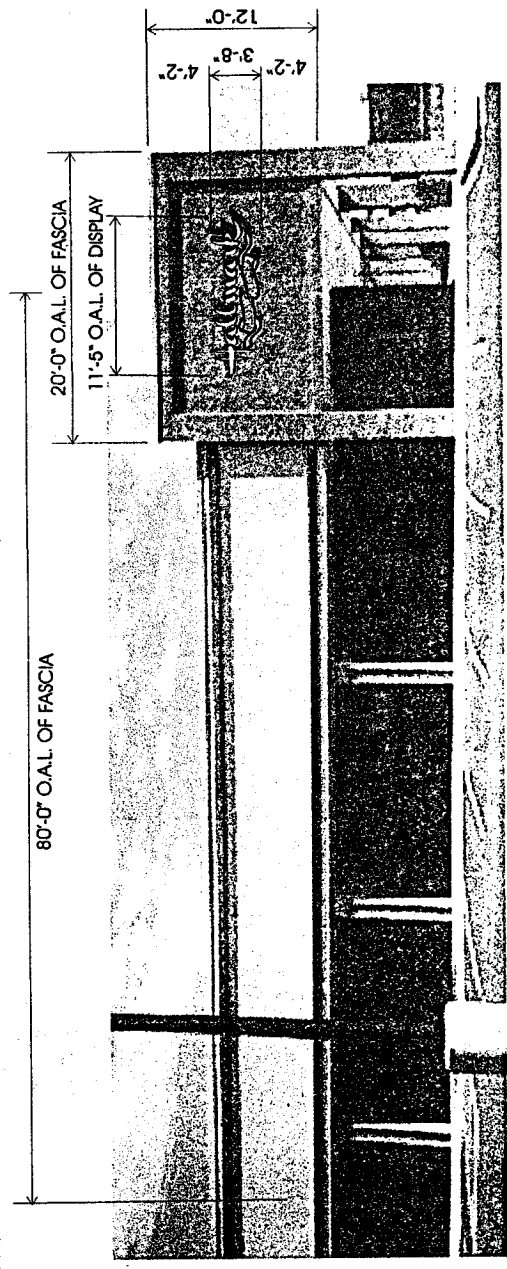


LETTERS
 HALLMARK "GOLD" PLEX FACES
 PLASTIC TRIMCAP TO MATCH RETURNS
 5" DEEP BLACK PREPARED ALUMINUM RETURNS
 ILLUMINATION: 15 MM WHITE NEON TUBING
 POWERED BY REMOTE 30 M.A. TRANSFORMERS

BANNERS
 WHITE PLEX FACES W/ RED VINYL FACE
 BANNER - HALLMARK RED TRANSLUCENT VINYL W COPY
 REVERSED OUT TO SHOW AS WHITE.
 BLACK OUTLINE AROUND BANNER - BLACK TRANSLUCENT VINYL
 PLASTIC TRIMCAP TO MATCH RETURN
 5" DEEP BLACK PREPARED ALUMINUM RETURNS
 ILLUMINATION: 15 MM WHITE NEON TUBING
 POWERED BY REMOTE 30 M.A. TRANSFORMERS

INT-ILLUMINATED PLEX FACE CHANNEL LETTERSET - MAKE ONE (1)

FAB. & INSTALL ONE (1) 36" SET OF INTER. ILLUM. PLEX FACE HALLMARK "GOLD CROWN" TRADEMARK.
 *NOTE: CENTER THIS DISPLAY BOTH VERTICALLY AS WELL AS HORIZONTALLY ON THE FASCIA (AS INDICATED).



TYPICAL LETTER SECTION/DETAIL

PER FEDERAL MANUFACTURING STANDARDS - CAT # FSS207
 W/ ELECTROBITS HOUSINGS SUBSTITUTED FOR DOUBLE-BACKS.

NOTES:
 1- ALL SEAMS TO BE PLACED FOR MIN. VISIBILITY WELDED AND CAULKED
 2- INSTALLATION TO CONFORM WITH SECTION 600 OF NEC.

(E) PROPOSED STANDARD PF-36 LETTERSET

HALLMARK PAM'S HALLMARK / #15028 BROOKHAVEN VILLAGE S.C.	ADDRESS: 14312 MARSH LANE / ADDISON, TX. ACCT. REP: E. MCGILL DESIGNER: AL BLANCHARD SCALE: 3/8" & 1/16" = 1'-0" DATE: 4-5-00		CHANGE TO A 3' STACKED SET
	DWG. NO. 00165HM R2 FILE NO.: Hm00165 SHEET: 6 OF 8	2 A.B. 6-6-00	REV BY DATE DESCRIPTION

Published
6-30-00