

EX BUILDING

END & PLUG
2" WTR (DOMESTIC)
5' FROM BUILDING
(REF MEP FOR CONT)

INSTALL:
1-2" 45° BEND

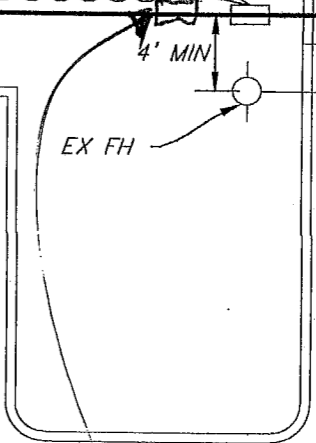
INSTALL:
1-2" 90° BEND

2" WATER
(DOMESTIC)

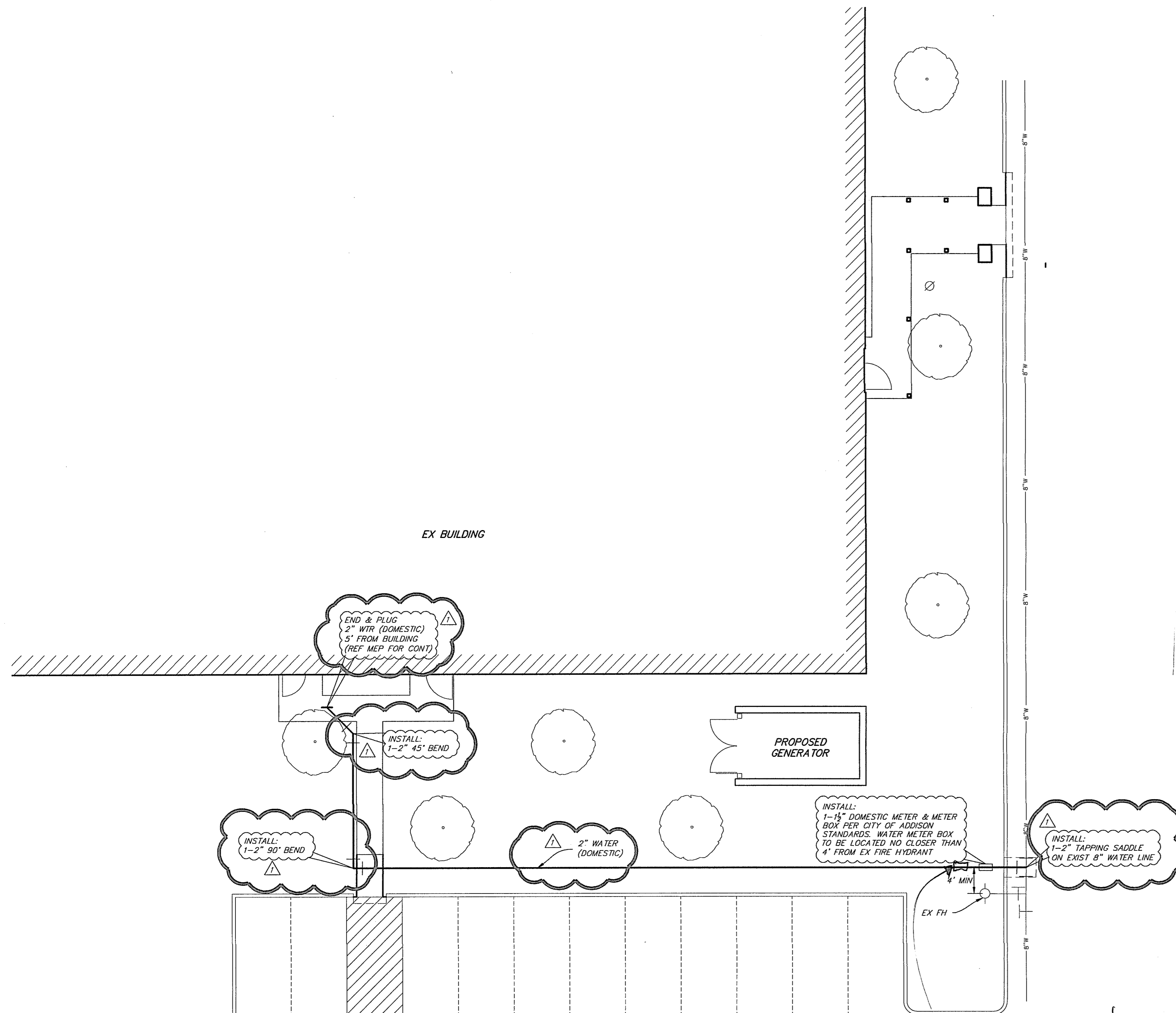
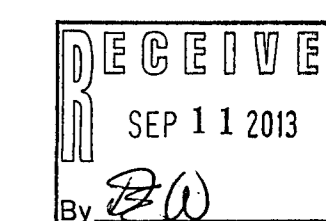
PROPOSED
GENERATOR

INSTALL:
1-1 1/2" DOMESTIC METER & METER
BOX PER CITY OF ADDISON
STANDARDS. WATER METER BOX
TO BE LOCATED NO CLOSER THAN
4' FROM EX FIRE HYDRANT

INSTALL:
1-2" TAPPING SADDLE
ON EXIST 8" WATER LINE



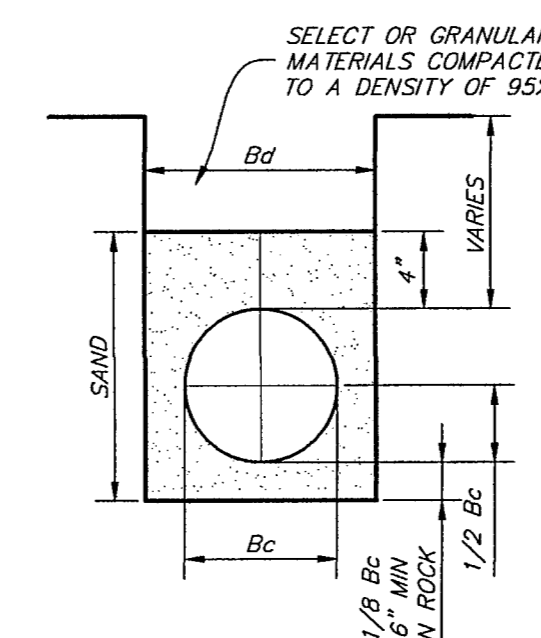
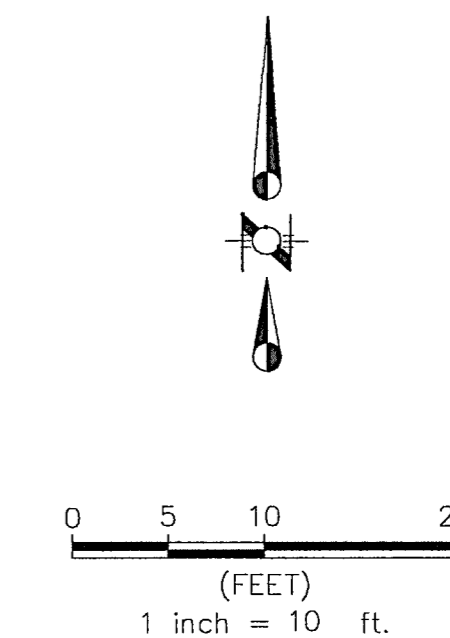
Backflow
Preventer -
Appropriate to
Potential Degree of Hazard.
Contact Phil Kayaric or
Robert Trevino, Addison Utilities
RZLW 9/24/13



Backflow Preventer Appropriate to Potential Degree of Hazard. Contact Phil Kayurica or Robert Trevino, Addison Utilities. RLG 9/24/13

UTILITY GENERAL NOTES

- All materials and workmanship shall conform to the City of Addison Standards and Specifications, and to the Standard Specifications for Public Works Construction for North Central Texas prepared by the North Texas Council of Governments, latest edition and the City of Addison addendum thereto.
- All water service lines shall be ASTM D1785 PVC water pipe, schedule 40.
- All 6" through 15" wastewater mains where PVC pipe is used shall be ASTM 3034 (SDR-35), unless otherwise specified.
- The maximum allowable trench width for all pipe through 12" diameter shall be 32".

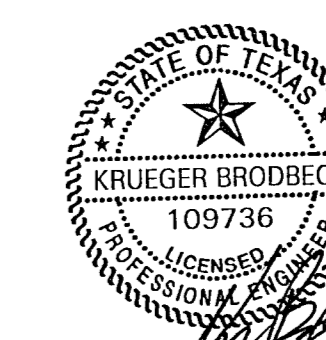


EMBEDMENT FOR WATER CONDUITS

LEGEND

- EXISTING STORM SEWER
- PROPOSED STORM SEWER
- EXISTING SANITARY SEWER
- PROPOSED SANITARY SEWER
- EXISTING WATER LINE
- PROPOSED WATER LINE

RAYMOND L. GOODSON, JR., INC.
CONSULTING ENGINEERS
5445 LA SIERRA DRIVE, SUITE 300, LB 17
DALLAS, TEXAS 75231-4138 214/739-8100
E-MAIL: rlg@rlginc.com FIRM REG. E-493



UTILITY PLAN						
DALLAS INTERVENTIONAL						
4450 SOJOURN DRIVE						
US ONCOLOGY						
CITY OF ADDISON, TEXAS						
DESIGN	DRAWN	DATE	SCALE	NOTES	FILE	NO.
RLG	RLG	08/13/13	1"=10'	UTIL	13	340
JOB NO.	13-340	E-FILE		DWG. NO.		

ISSUED FOR:
Permit 19 August 2013
City Comments #2 30 August 2013

Drawn By _____ RLG
Checked By _____ RLG

UTILITY PLAN

C3.00

△ CITY COMMENTS #2 08/30/13

4450 Sojourn