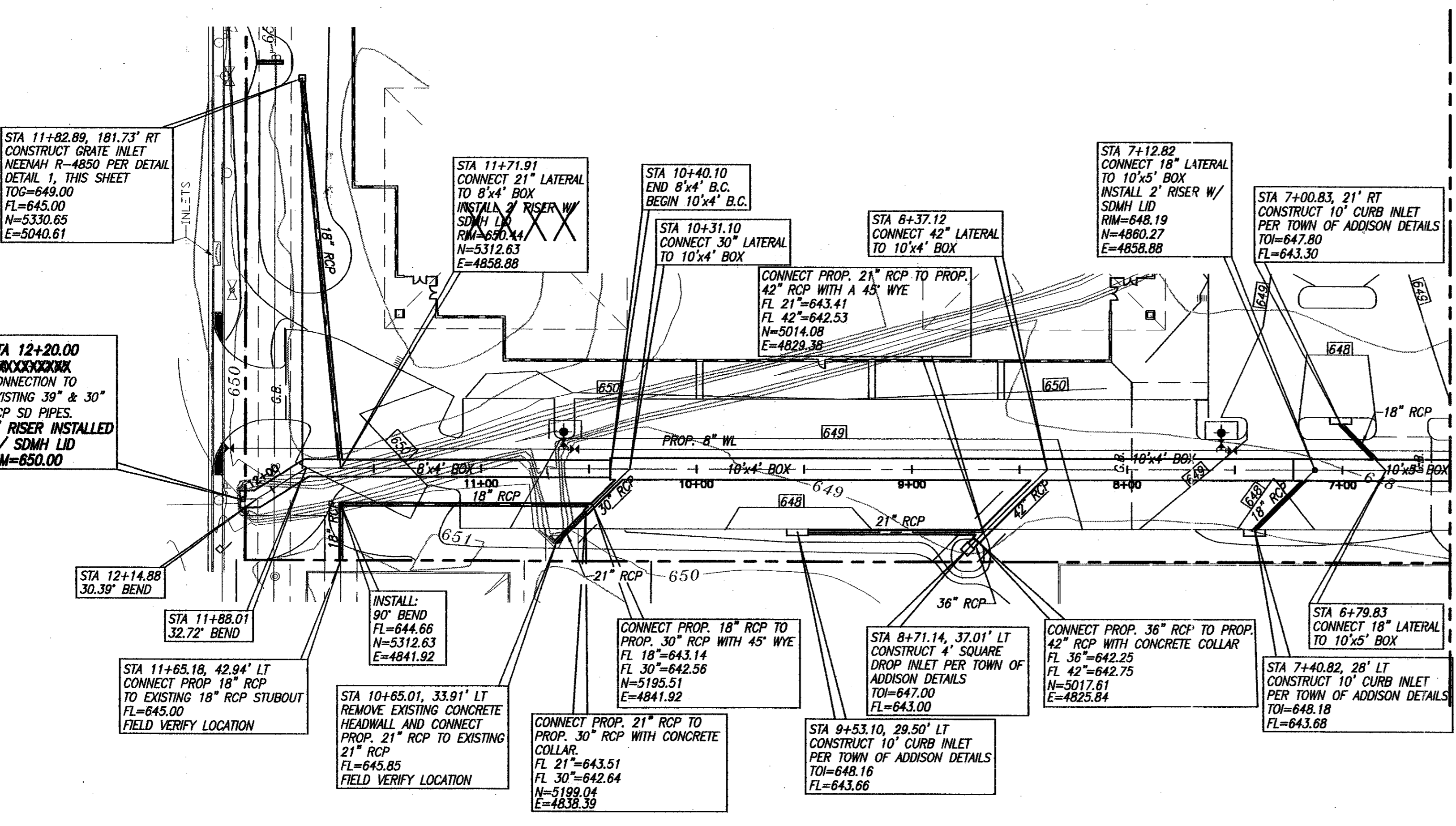
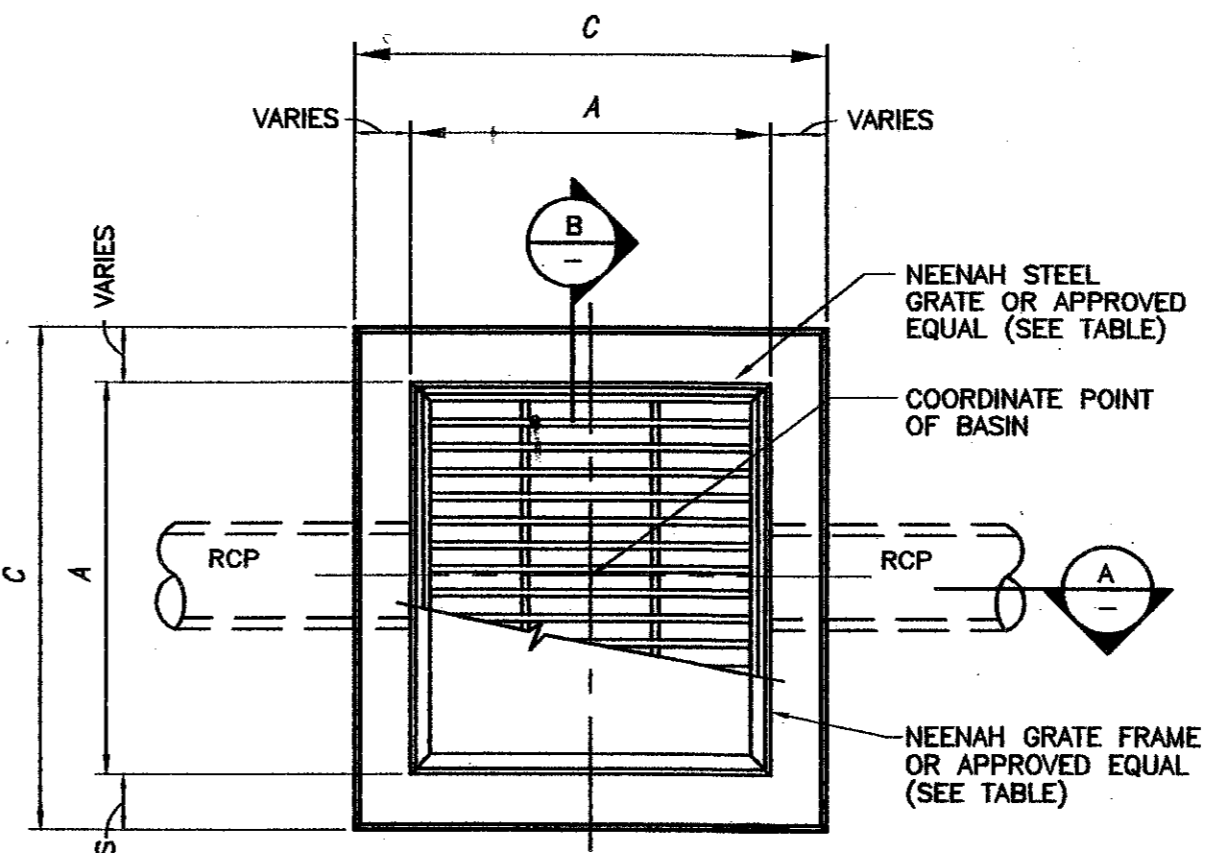


BENCHMARK:
 SQUARE CUT ON INLET AT S.W. CORNER OF SOJOURN DR. AND ADDISON RD. ELEV. 641.95

RECORD DRAWING
 DATE: 3-4-00 TO: THH
 THE SEAL APPEARING ON THIS DOCUMENT IS VALID ONLY IF THE EXAMINER'S NAME, ADDRESS AND DATE OF EXAMINATION ARE CORRECTLY REPRODUCED IN THIS DRAWING. TEXAS REGISTRATION NO. 62282 DATE: OCT. 6, 1999



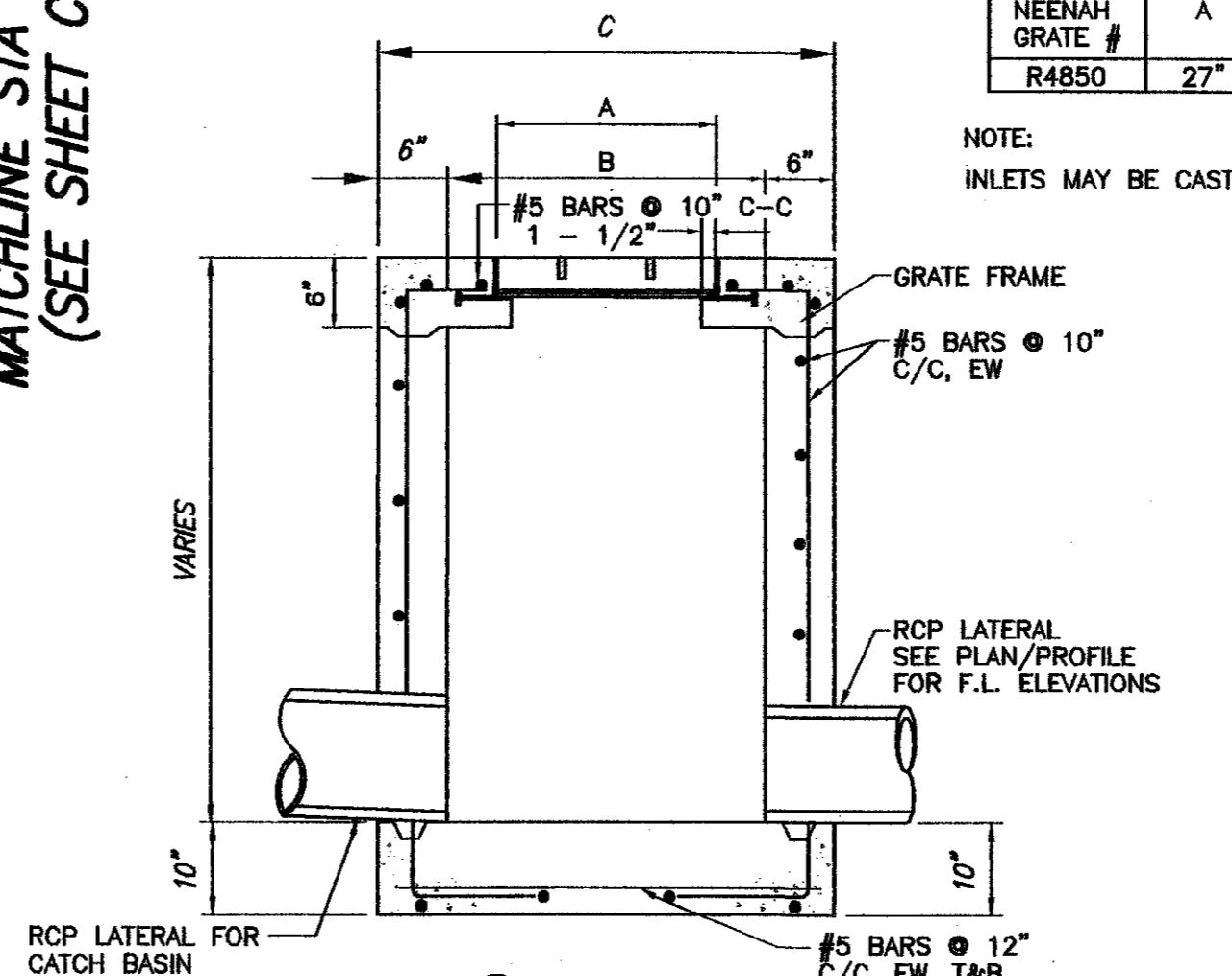
MATCHLINE STA 6+50
 (SEE SHEET C-6)



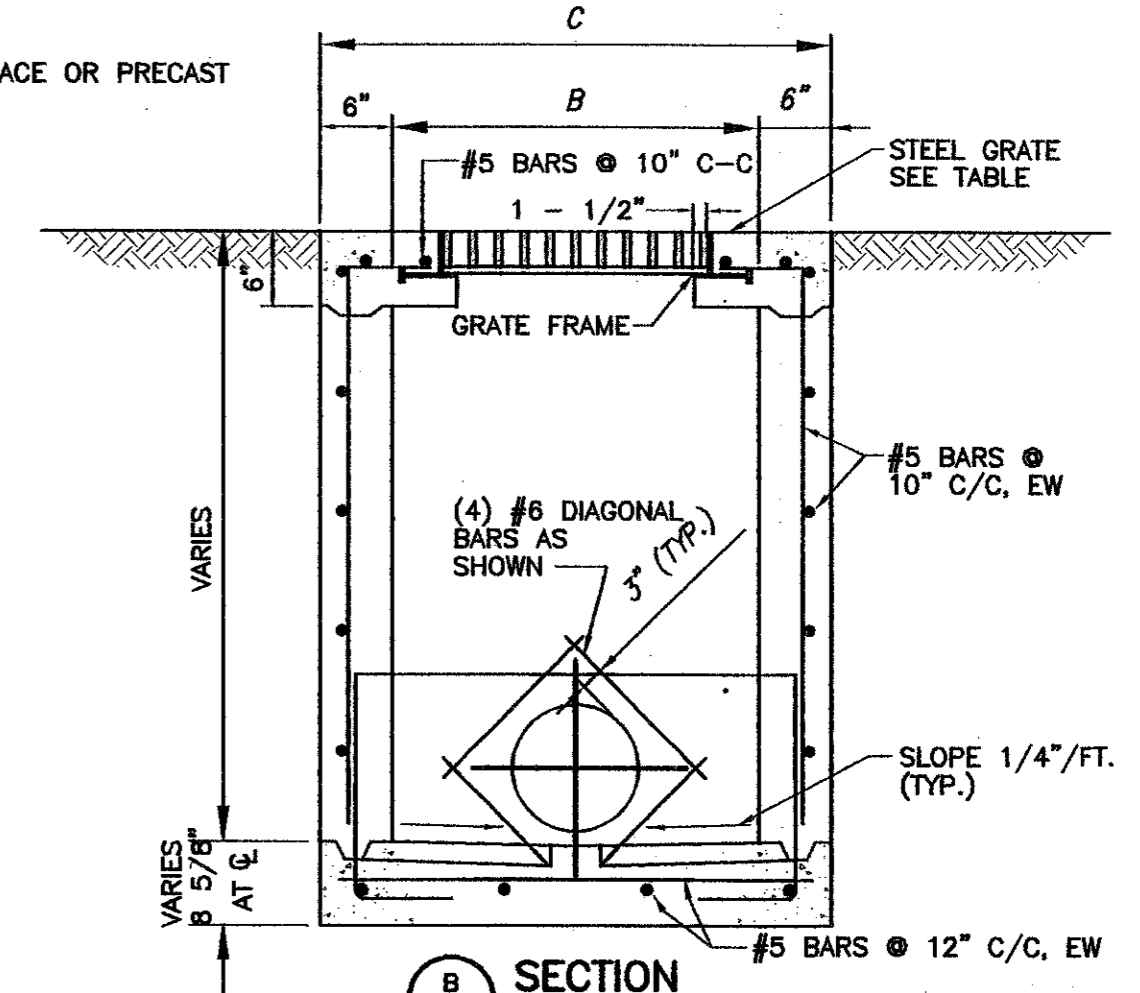
1 TYP. GRATE INLET PLAN
 NOT TO SCALE

CONCRETE CATCH BASINS			
NEENAH GRATE #	A	B	C
R4850	27"	36"	48"

NOTE:
 INLETS MAY BE CAST-IN-PLACE OR PRECAST



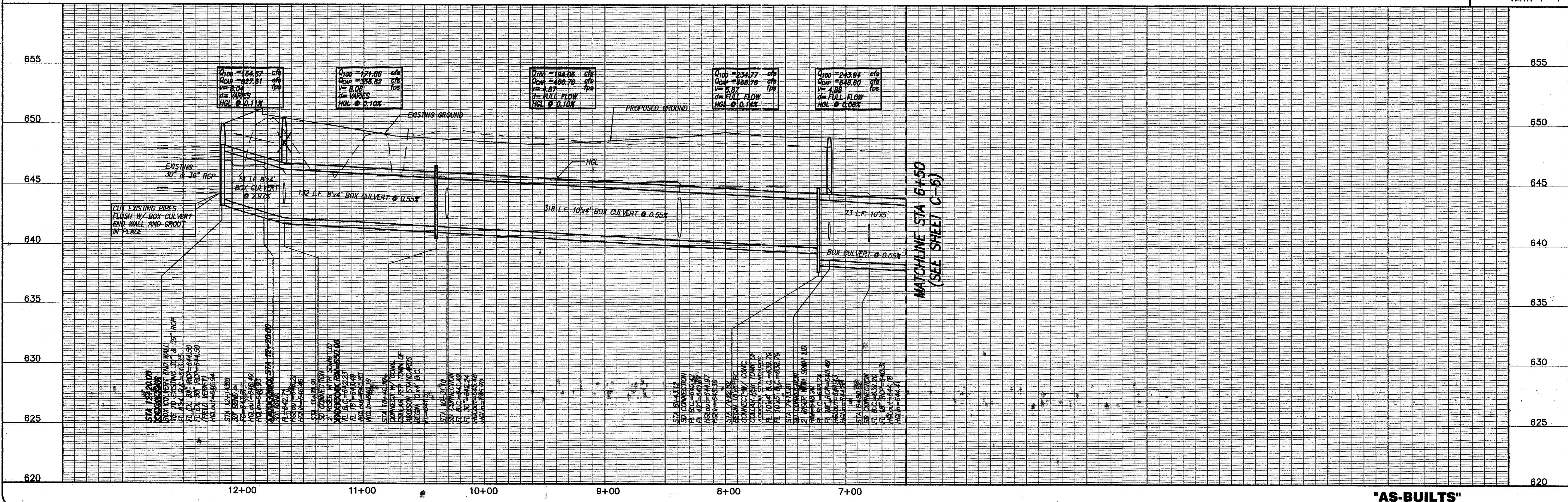
A SECTION
 NOT TO SCALE



B SECTION
 NOT TO SCALE

SCALES: HOR. 1"=40'
 VERT. 1"=4'

SD LINE "A"



MATCHLINE STA 6+50
 (SEE SHEET C-6)

"AS-BUILTS"

FREESE-NICHOLS
 Dallas, Texas 75247
 214-920-2500

OMNIPLAN ARCHITECTS
 SOJOURN OFFICE CENTER
 ADDISON, TEXAS

SITWORK PLANS
 STORM DRAIN P & P LINE "A"
 STA 6+50 TO STA 12+22.88

NO. REVISION	DATE	BY	DESIGNED	DRAWN	REVISOR	CHECKED
1	4/30/98	MW				
2	5/3/98	MW				
F&W JOB NO. OMP99206 PER CONTRACTOR RT "1" AND "B" 206SDPPA-1-2 REISED PER BASING FT 1 FOOT DATE 7-26-99 VERIFY SCALE: Bar is one inch on original drawing. If not one inch on this sheet, adjust scale.						
SHEET C-7 SEQ. 10 OF 16						