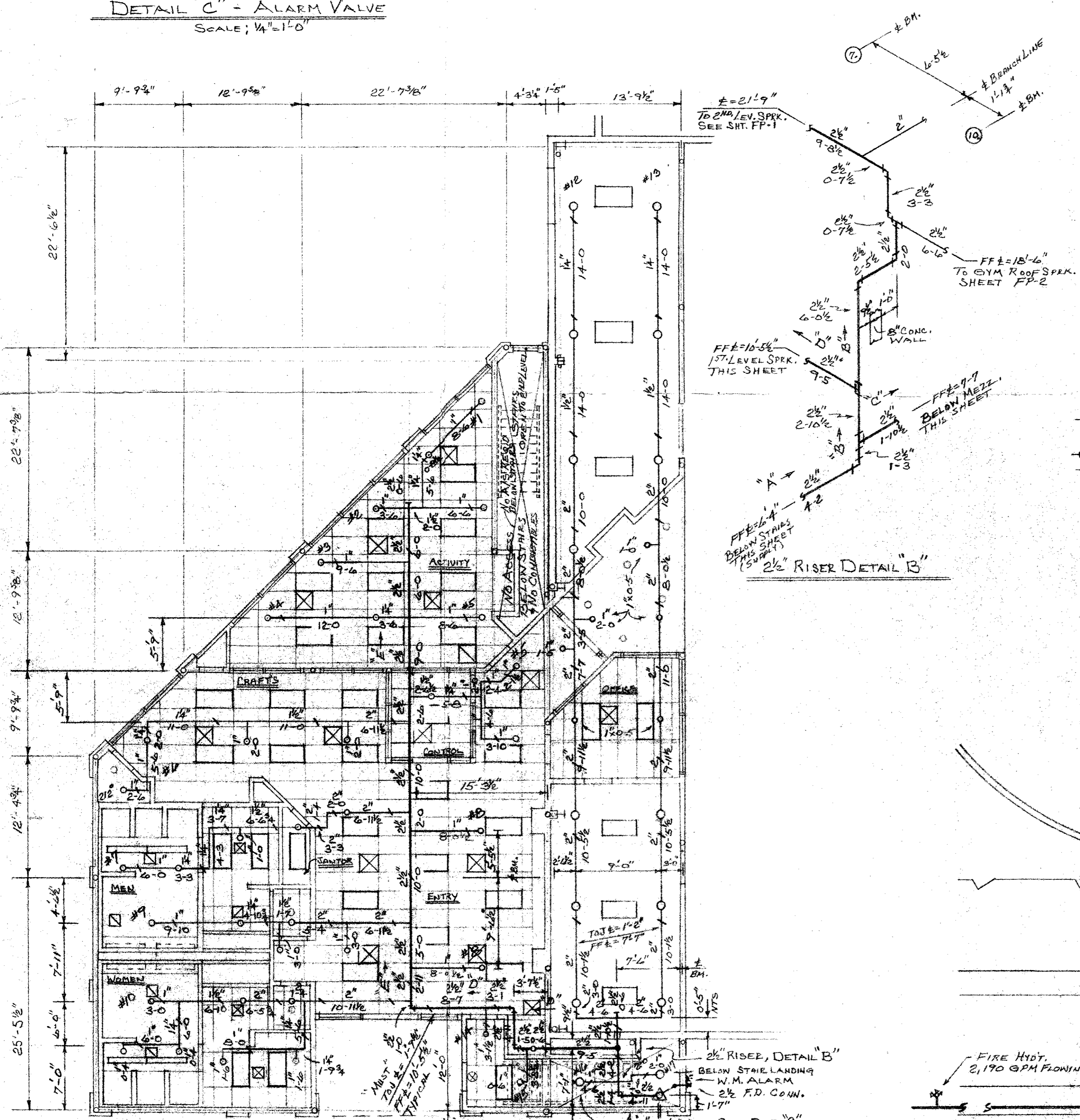
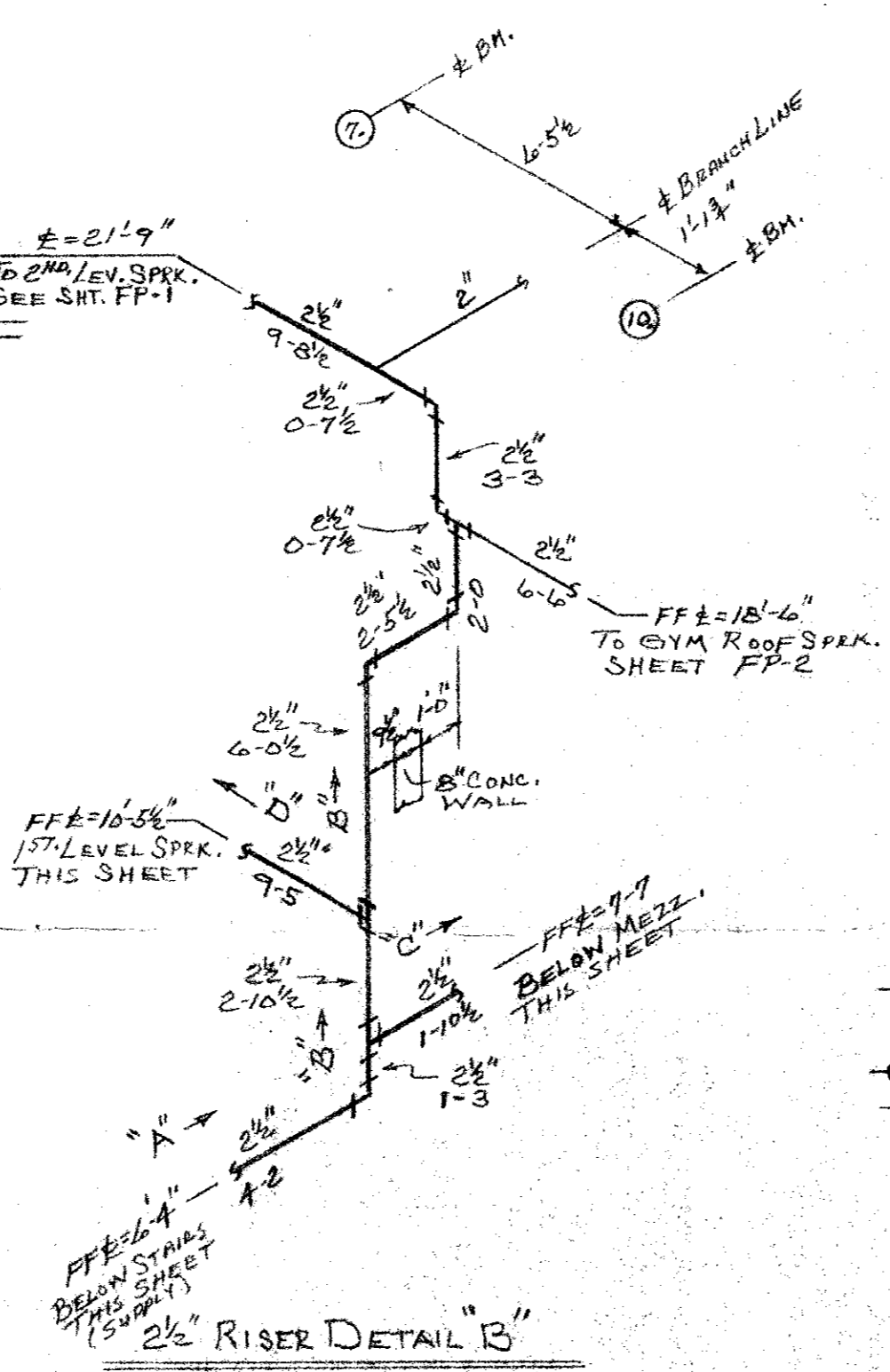


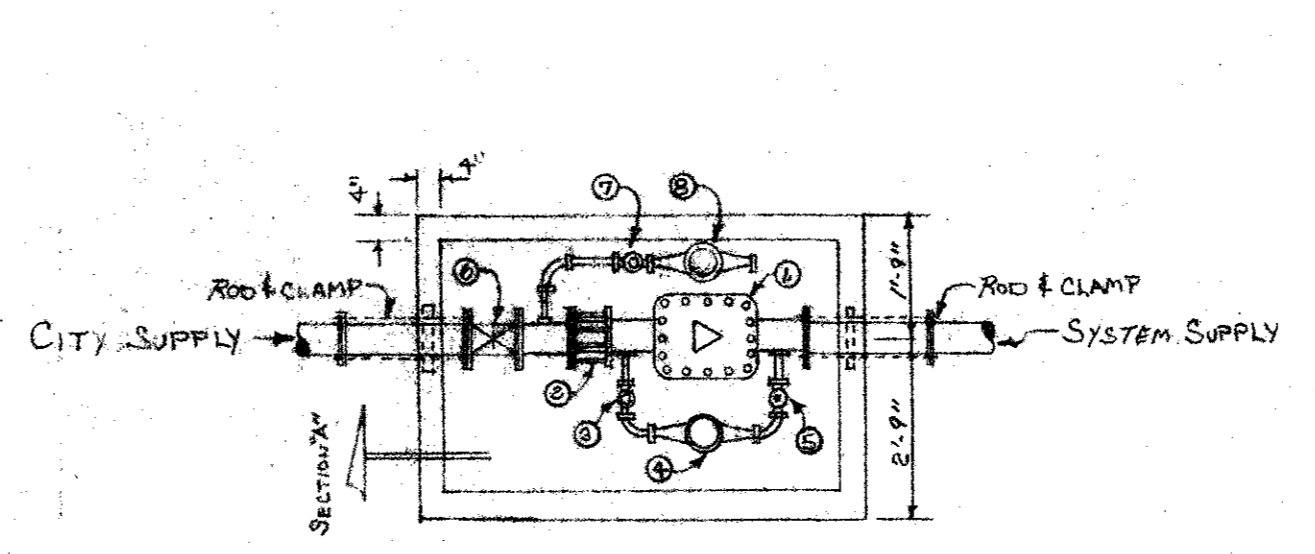
DETAIL "C" - ALARM VALVE
SCALE: 1/4" = 1'-0"



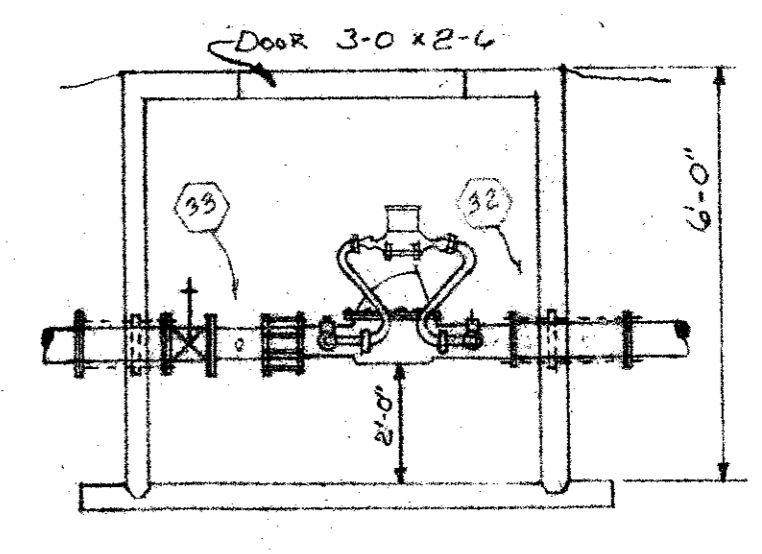
FIRST FLOOR SPRINKLER PIPING PLAN
SCALE: 1/4" = 1'-0"
DROP NIPPLES:
4 = 1 1/4 0-5
22 = 1 1/4 0-5 1/2
15 = 1 1/4 2-5 1/2



2 1/2 Riser Detail "B"



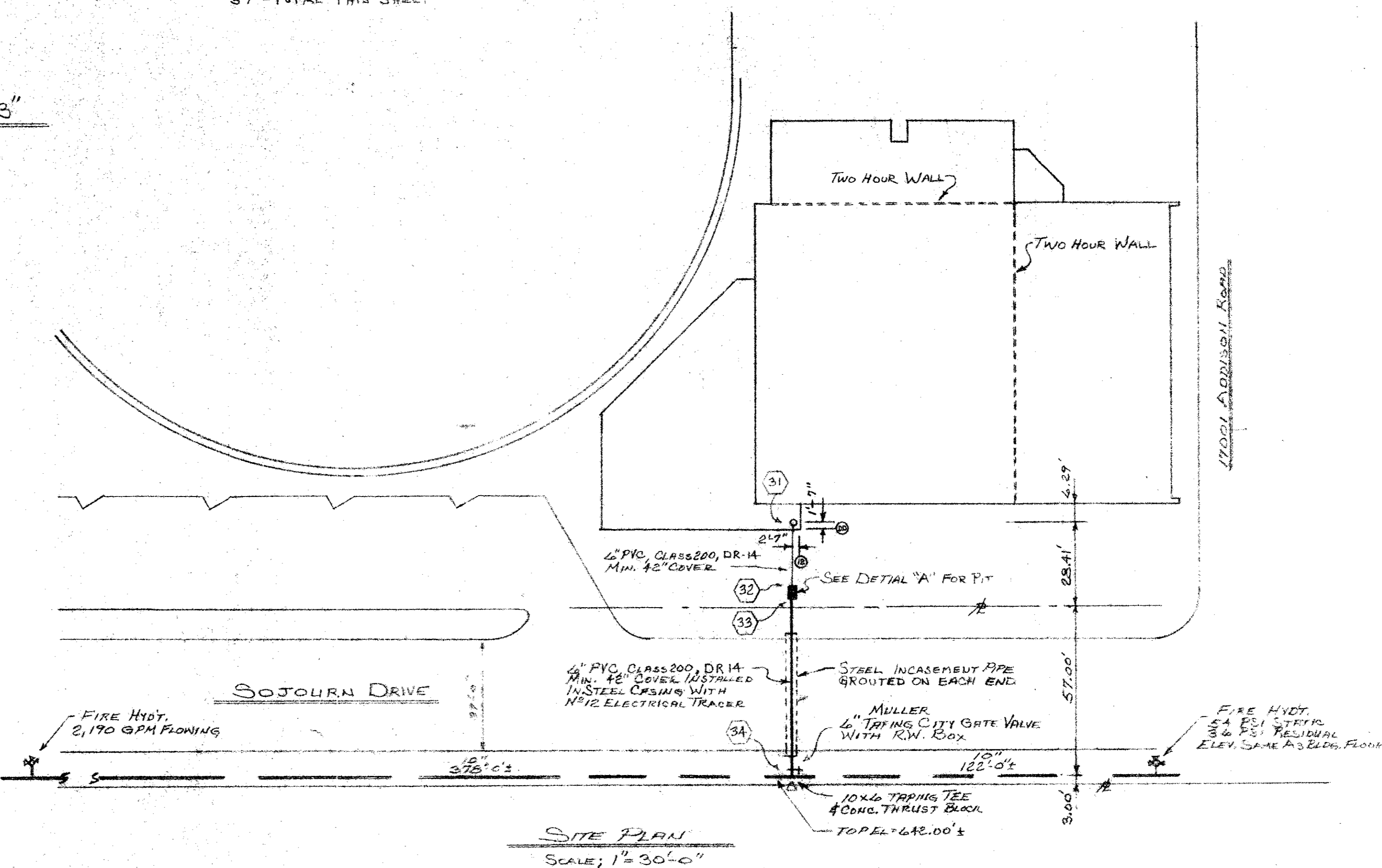
DETAIL "A"
N.T.S.



SECTION "A"
N.T.S.

- SPRINKLER LEGEND "CENTRAL"
- 41 = 1/2" 145° MOD. A° CHROME PEND. K=5.4
 - 1 = 1/2" 145° MOD. A° CHROME PEND. K=5.4 WITH 1" DROP, CONCEALED PIPING
 - 15 = 1/2" 145° MOD. A° BRASS UPRIGHT, K=5.4 EXPOSED PIPING
 - 57 = TOTAL THIS SHEET

- LEGEND
- ⊙ = DOCTOR CHECK VALVE
 - ⊙ = SMITH BLAIR 1/2" FLEXIBLE MS-FLANGE COUPLING ADAPTOR
 - ⊙ = 3/4" BRONZE CHECK VALVE
 - ⊙ = 3/4" WATER METER
 - ⊙ = 3/4" GATE VALVE W/ HANDLE
 - ⊙ = 6" GATE VALVE
 - ⊙ = 2" DOMESTIC WATER SHUTOFF VALVE
 - ⊙ = 2" DOMESTIC WATER METER



SITE PLAN
SCALE: 1/2" = 30'-0"

SSL - 0040 SCR - 0040
A & C FIRE PROTECTION, INC.
5201 SAUNDERS
FORT WORTH, TEXAS 76119
PHONE: 817-572-4733

4501 Sojourn
TOWN OF ADDISON
TRINITY ATHLETIC COMPLEX
17001 ADDISON ROAD
ADDISON, TEXAS 75248

JOB NO.:
DATE: OCT. 16, '87
DRAWN BY:
C.W. ALLEN
CHECKED: CC
REVISIONS:
#1, OCT. 17, '87 - HYD.

SHEET
FP - 1
OF TWO SHEETS