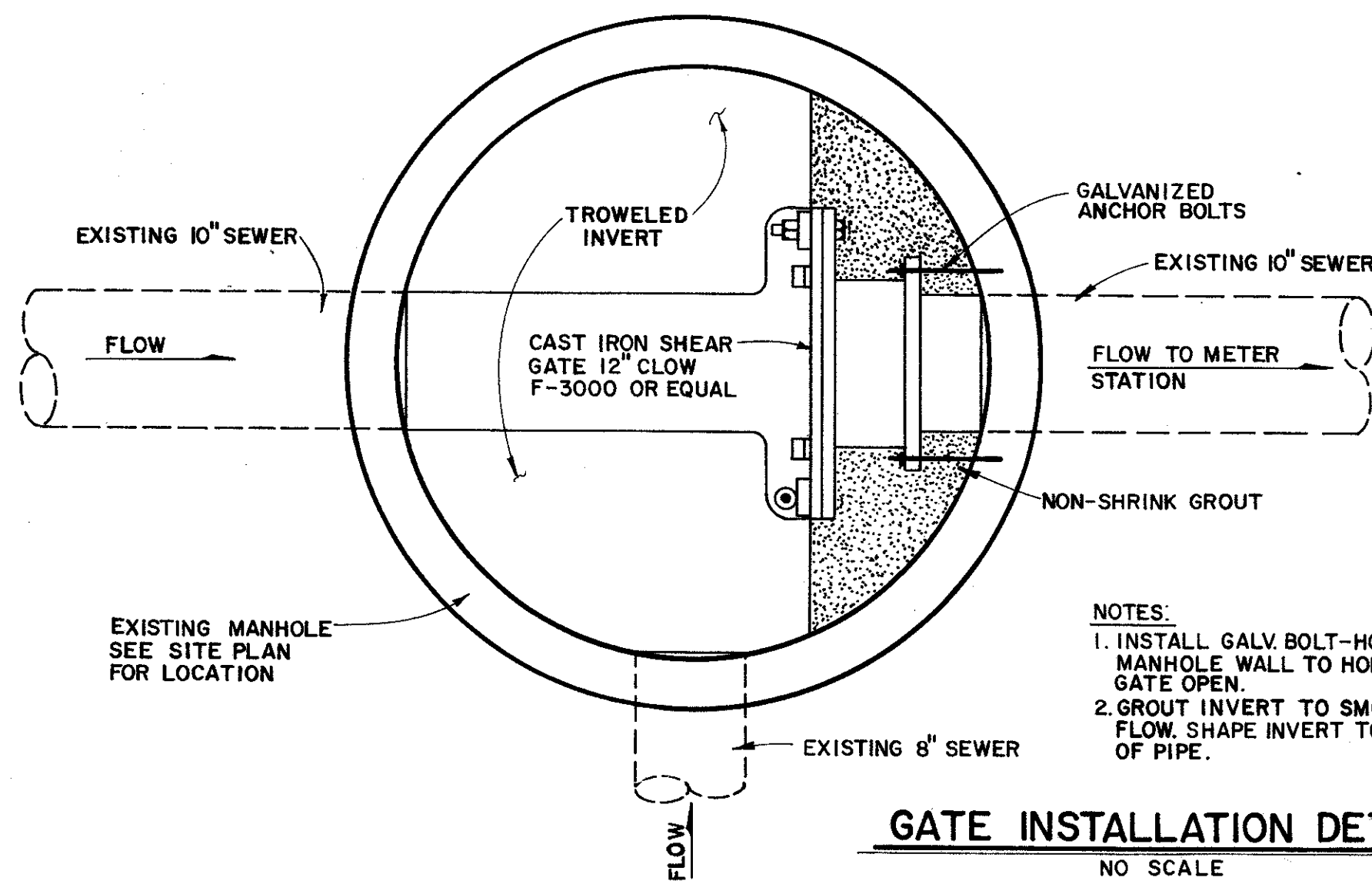
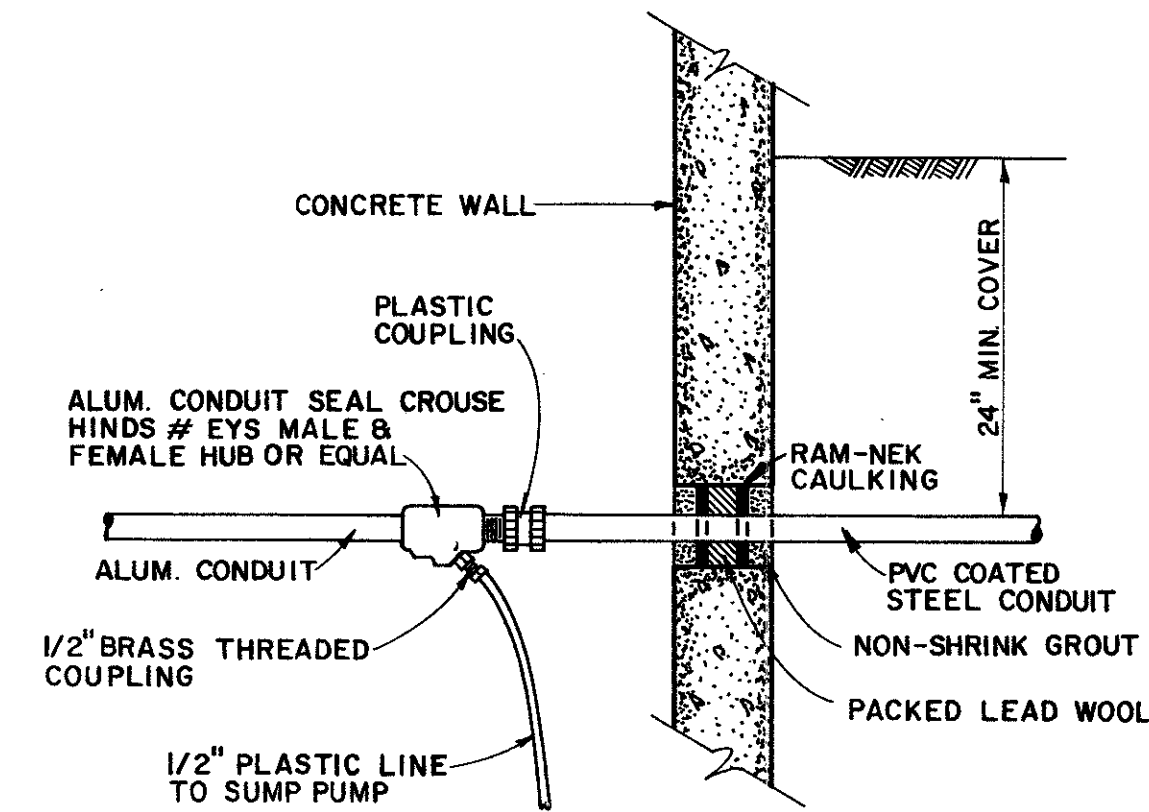


SITE PLAN
SCALE: 1"=20'

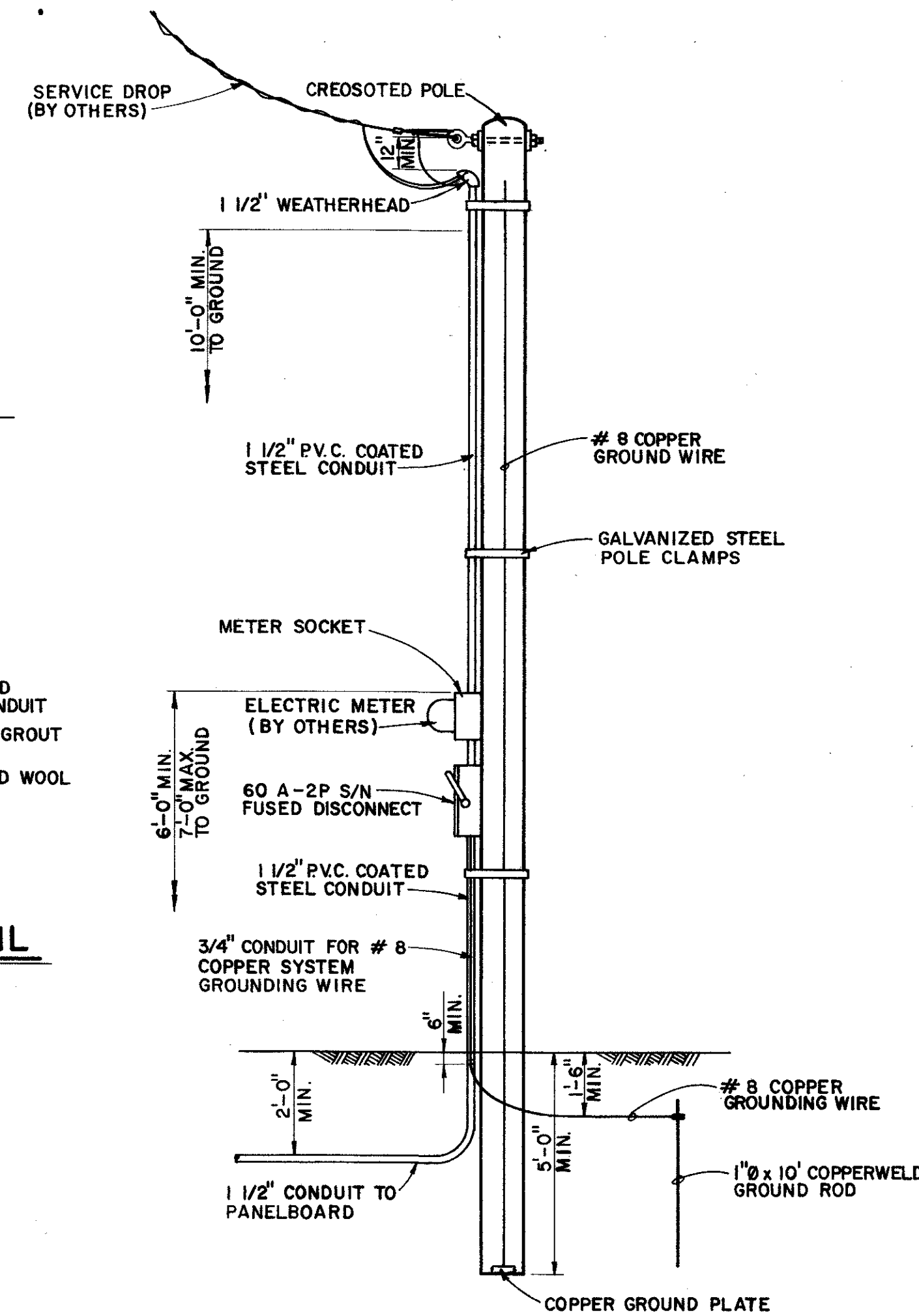


GATE INSTALLATION DETAIL
NO SCALE

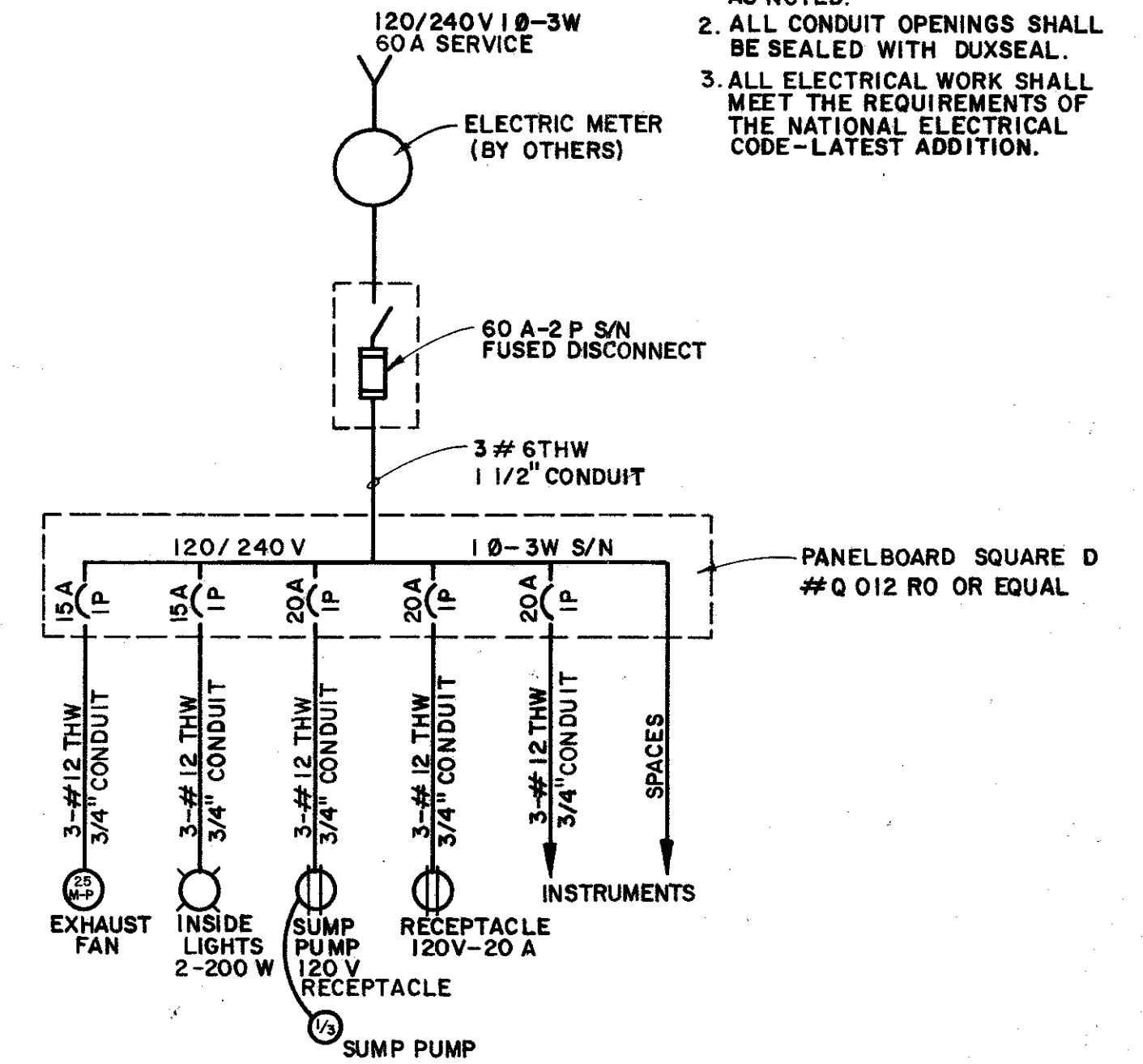
- NOTES:
1. INSTALL GALV. BOLT-HOOK IN MANHOLE WALL TO HOLD GATE OPEN.
2. GROUT INVERT TO SMOOTH FLOW SHAPE INVERT TO TOP OF PIPE.



CONDUIT ENTRANCE AND DRAIN DETAIL
NO SCALE

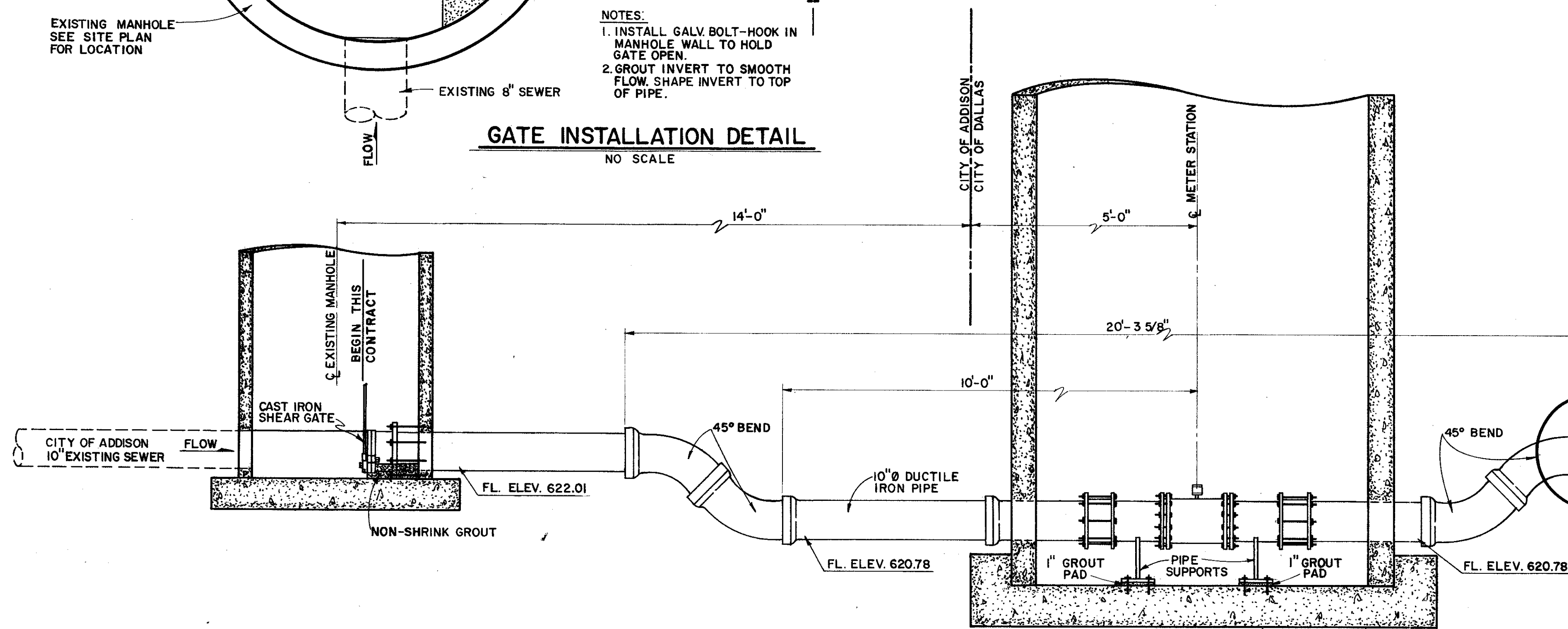


SERVICE POLE DETAIL
NO SCALE

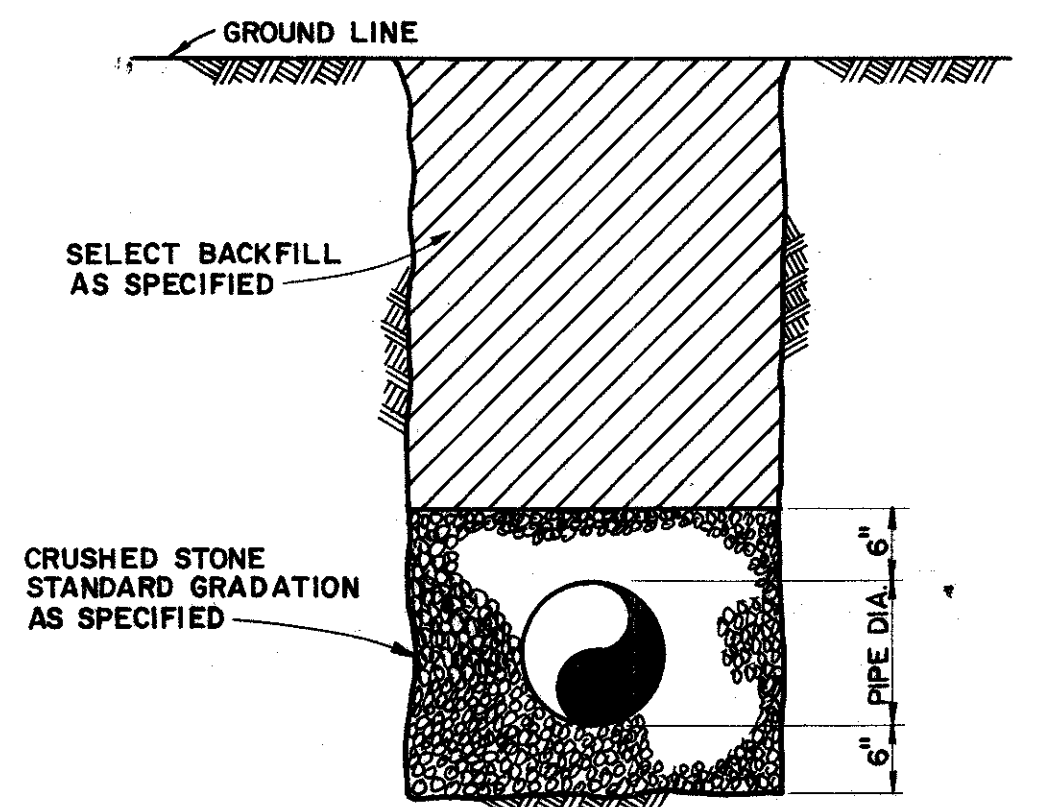


ELECTRICAL DIAGRAM
NO SCALE

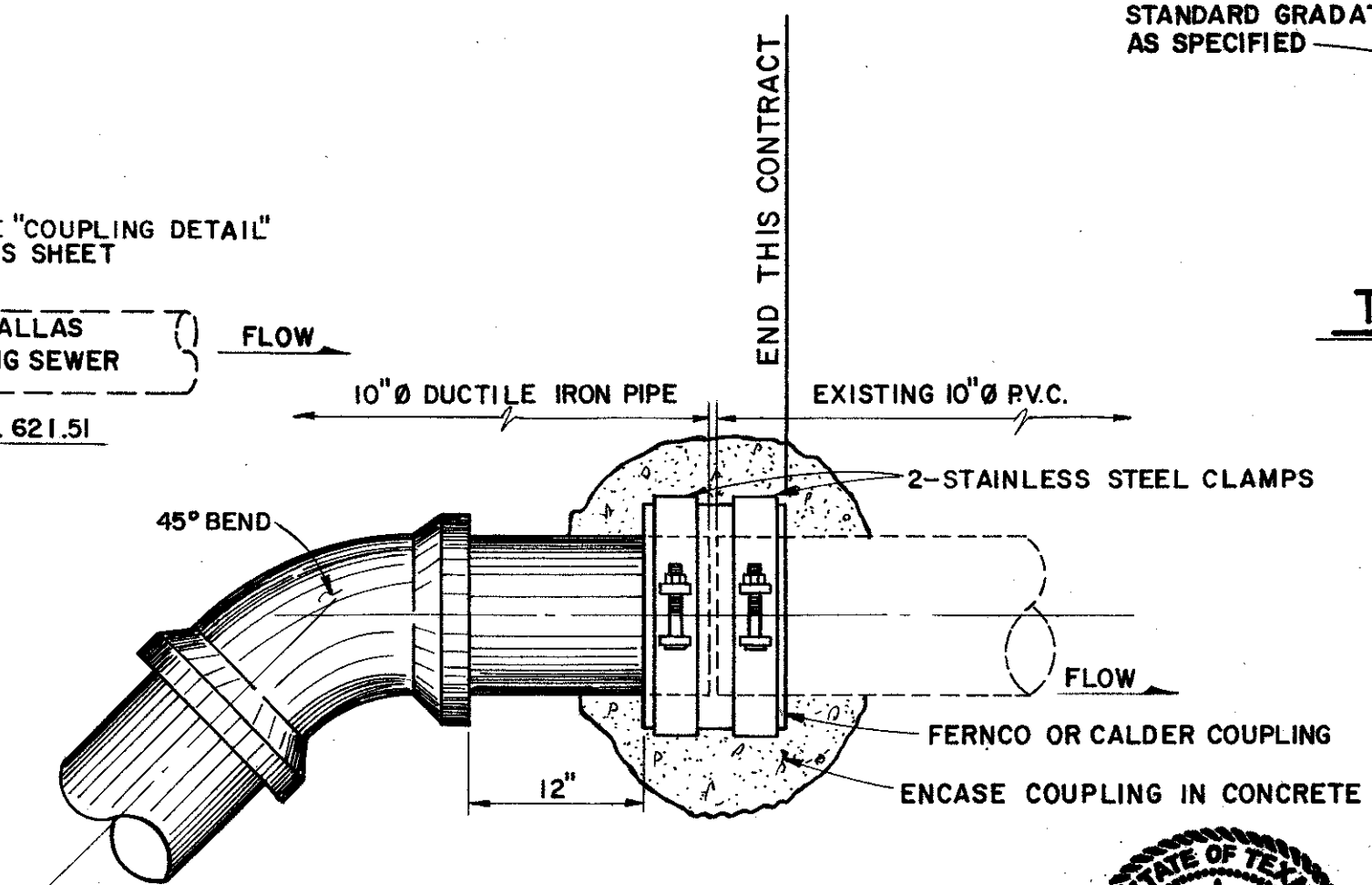
- NOTES:
1. ALL CONDUIT AND FITTINGS SHALL BE P.V.C. COATED STEEL EXCEPT AS NOTED.
2. ALL CONDUIT OPENINGS SHALL BE SEALED WITH DUXSEAL.
3. ALL ELECTRICAL WORK SHALL MEET THE REQUIREMENTS OF THE NATIONAL ELECTRICAL CODE-LATEST ADDITION.



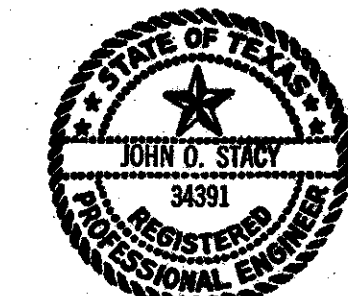
PROFILE
SCALE: 1/2"=1'-0"



TYPICAL BEDDING DETAIL
NO SCALE



COUPLING DETAIL
SCALE: 1"=1'-0"



CITY OF DALLAS FILE NO. 681Q-21-S-1

CITY OF ADDISON
DALLAS COUNTY, TEXAS
SEWER IMPROVEMENTS

ACADEMY DRIVE WASTEWATER
METER STATION SITE
PLAN AND DETAILS

GINN & STACY, INC.
CONSULTING ENGINEERS - DALLAS, TEXAS

Designed By: J.O.S. Scale: As Shown
Drawn By: G.L.H. Date: 1978 Sheet 2 of 2